



US00D605684S

(12) **United States Design Patent**  
**Takizawa**

(10) **Patent No.:** **US D605,684 S**  
(45) **Date of Patent:** **\*\* Dec. 8, 2009**

(54) **LAMP FOR PROJECTOR**

D591,322 S \* 4/2009 Nagumo ..... D16/235

(75) Inventor: **Takahiro Takizawa**, Matsumoto (JP)

\* cited by examiner

(73) Assignee: **Seiko Epson Corporation**, Tokyo (JP)

*Primary Examiner*—Ian Simmons

*Assistant Examiner*—Wan Laymon

(\*\*) Term: **14 Years**

(74) *Attorney, Agent, or Firm*—Oliff & Berridge, PLC

(21) Appl. No.: **29/331,417**

(57) **CLAIM**

(22) Filed: **Jan. 26, 2009**

The ornamental design for a lamp for projector, as shown and described.

(30) **Foreign Application Priority Data**

**DESCRIPTION**

Nov. 28, 2008 (JP) ..... 2008-030534

(51) **LOC (9) Cl.** ..... **16-02**

(52) **U.S. Cl.** ..... **D16/235**

(58) **Field of Classification Search** ..... D16/221,  
D16/225, 235–237; D26/1, 24, 28, 36; 352/198,  
352/203; 353/85, 87, 97–98, 119; 362/294,  
362/227, 368, 430

FIG. 1 is a top, front, and left-side perspective view of the lamp for projector;

FIG. 2 is a bottom, rear, and right-side perspective view of the lamp for projector;

FIG. 3 is a top, rear, and right-side perspective view of the lamp for projector;

FIG. 4 is a bottom, front, and left-side perspective view of the lamp for projector;

FIG. 5 is a front view of the lamp for projector;

FIG. 6 is a rear view of the lamp for projector;

FIG. 7 is a left-side view of the lamp for projector;

FIG. 8 is a right-side view of the lamp for projector.

FIG. 9 is a top view of the lamp for projector; and,

FIG. 10 is a bottom view of the lamp for projector.

The broken lines depict environmental subject matter only and form no part of the claimed design.

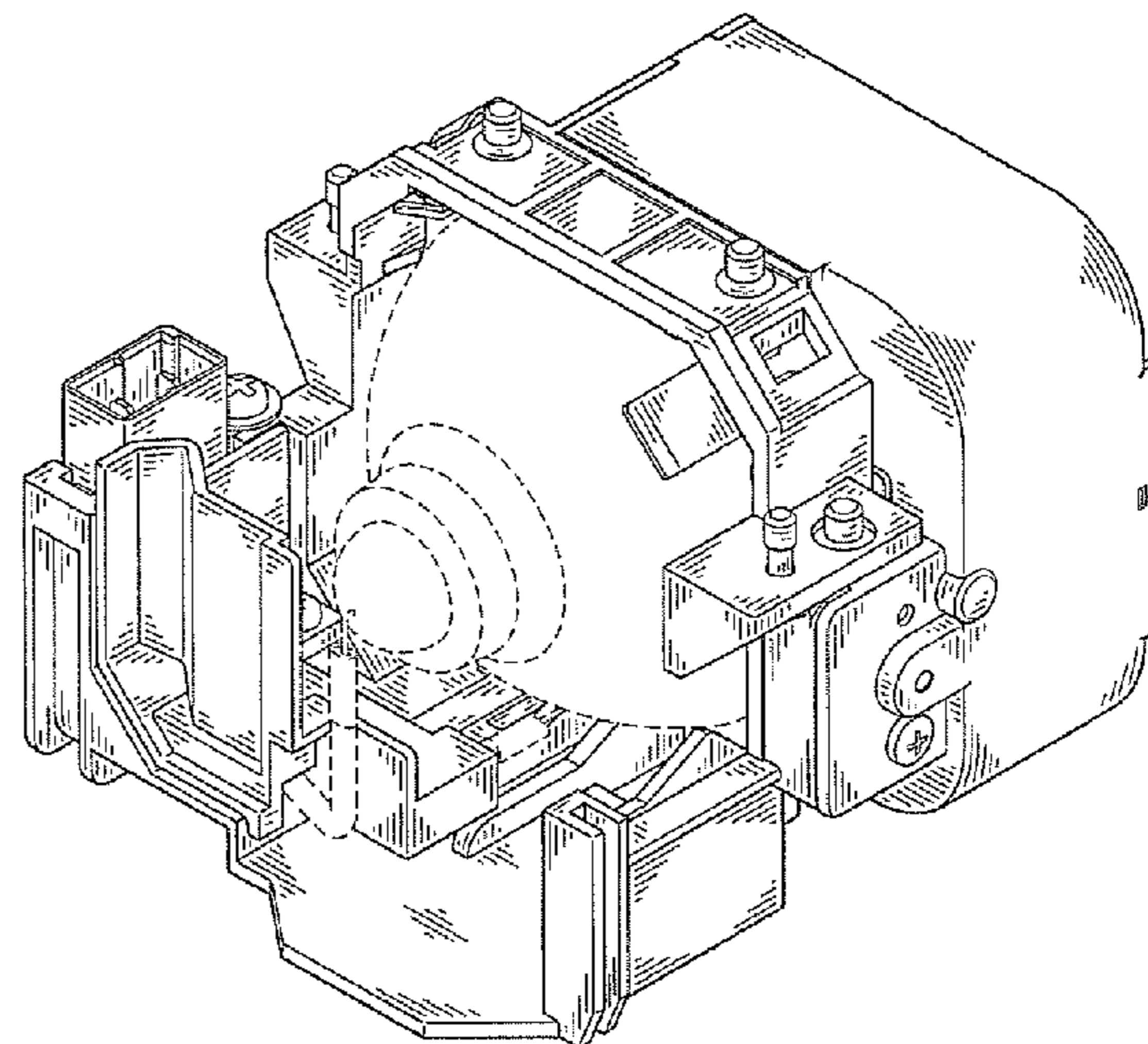
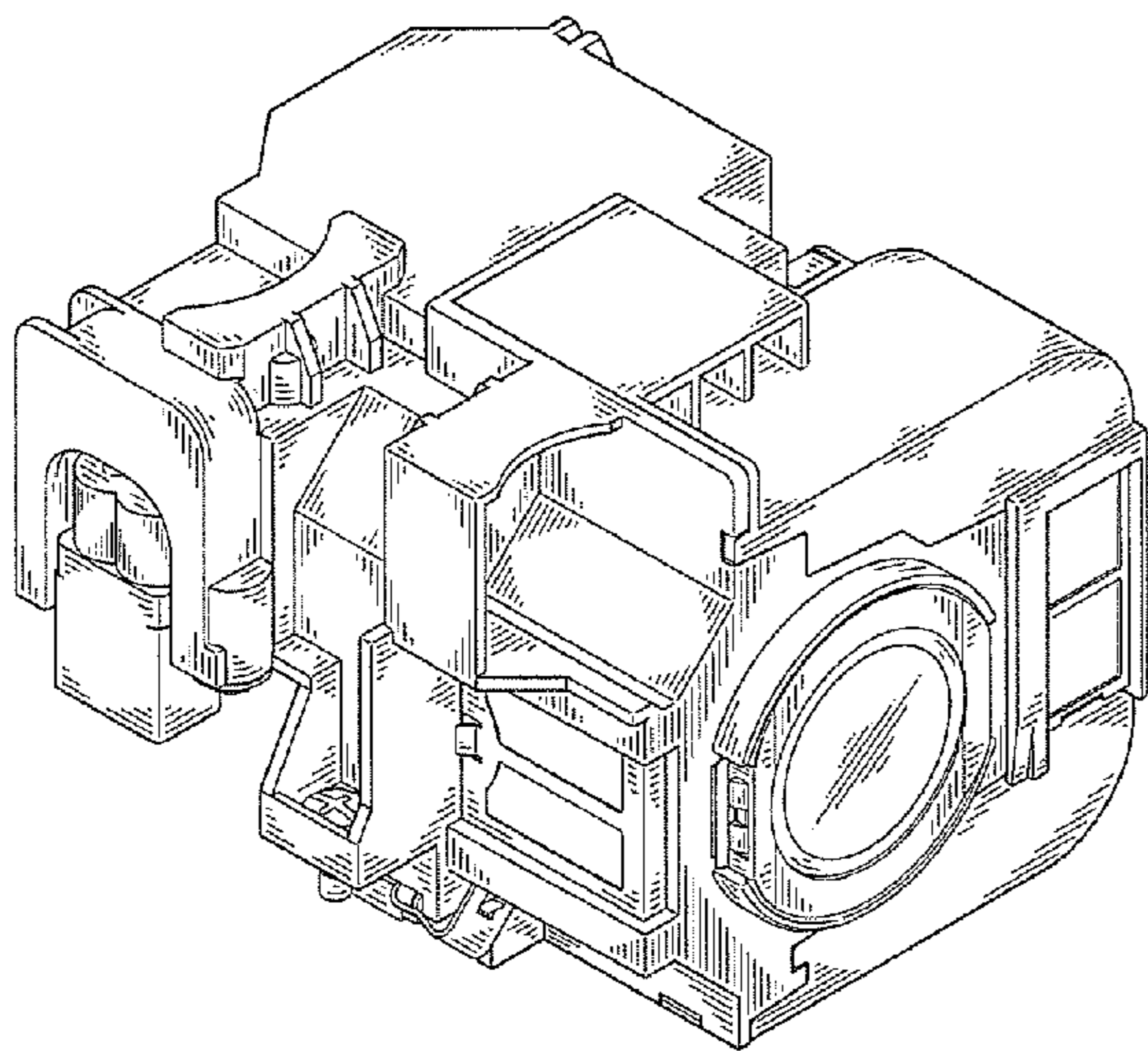
See application file for complete search history

(56) **References Cited**

**U.S. PATENT DOCUMENTS**

D558,252 S \* 12/2007 Matsumiya et al. .... D16/221  
D561,232 S \* 2/2008 Nishizawa et al. .... D16/235  
D574,408 S \* 8/2008 Kobayashi et al. .... D16/235  
D582,466 S \* 12/2008 Nakano ..... D16/235  
D583,849 S \* 12/2008 Uchida ..... D16/235  
D584,328 S \* 1/2009 Sasaki ..... D16/235  
D589,997 S \* 4/2009 Hieda et al. .... D16/235

**1 Claim, 7 Drawing Sheets**



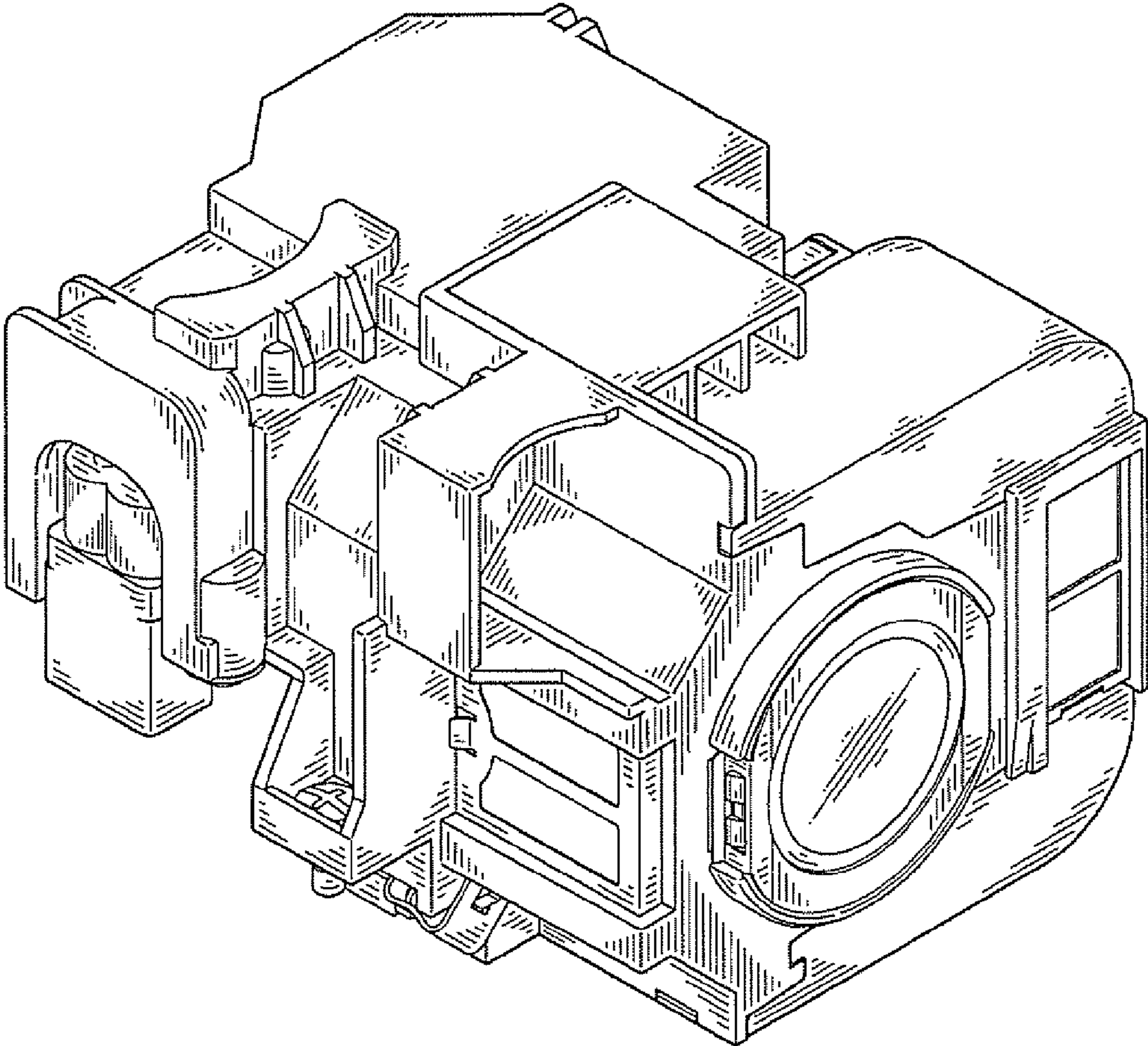


FIG. 1

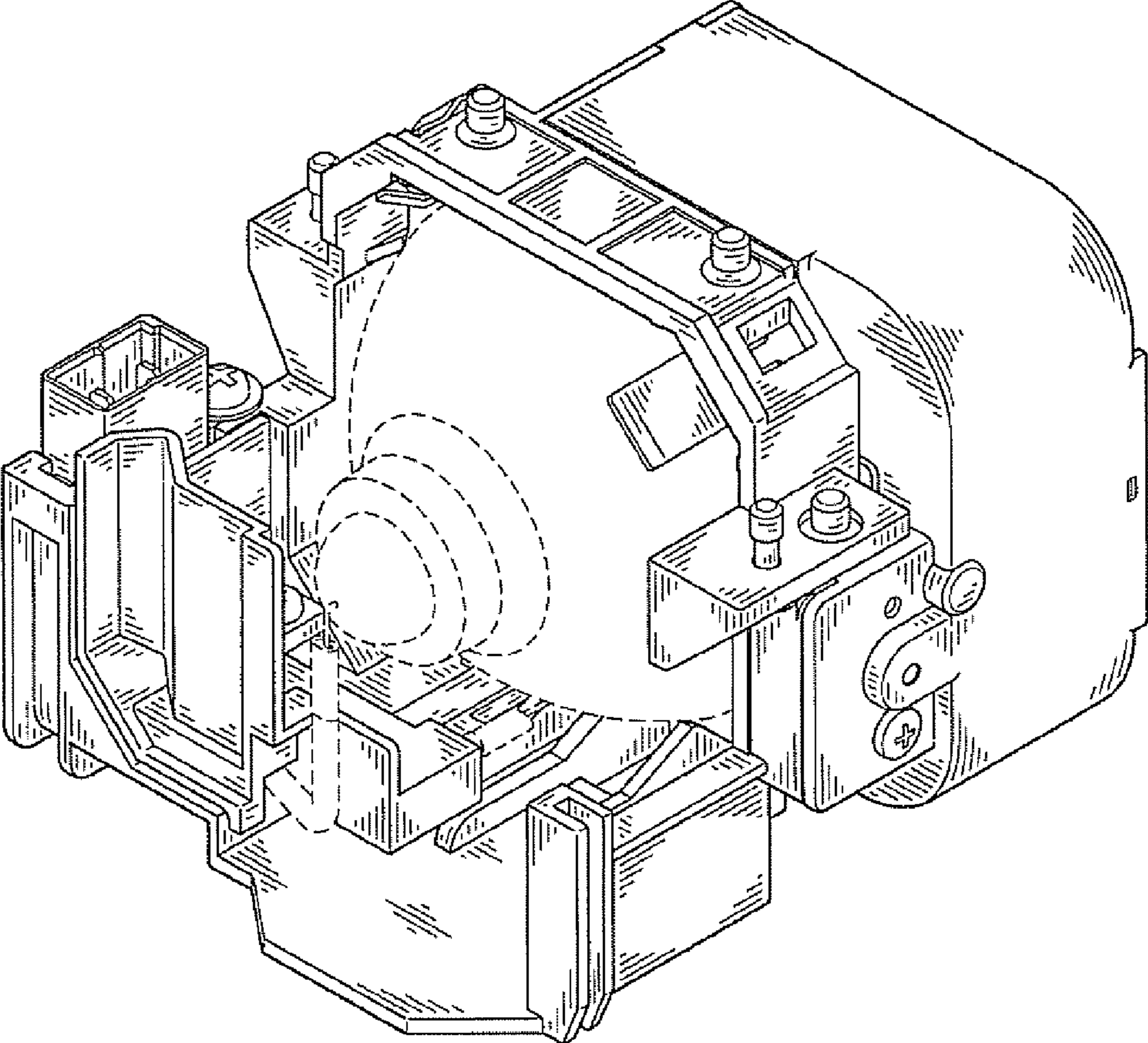


FIG. 2

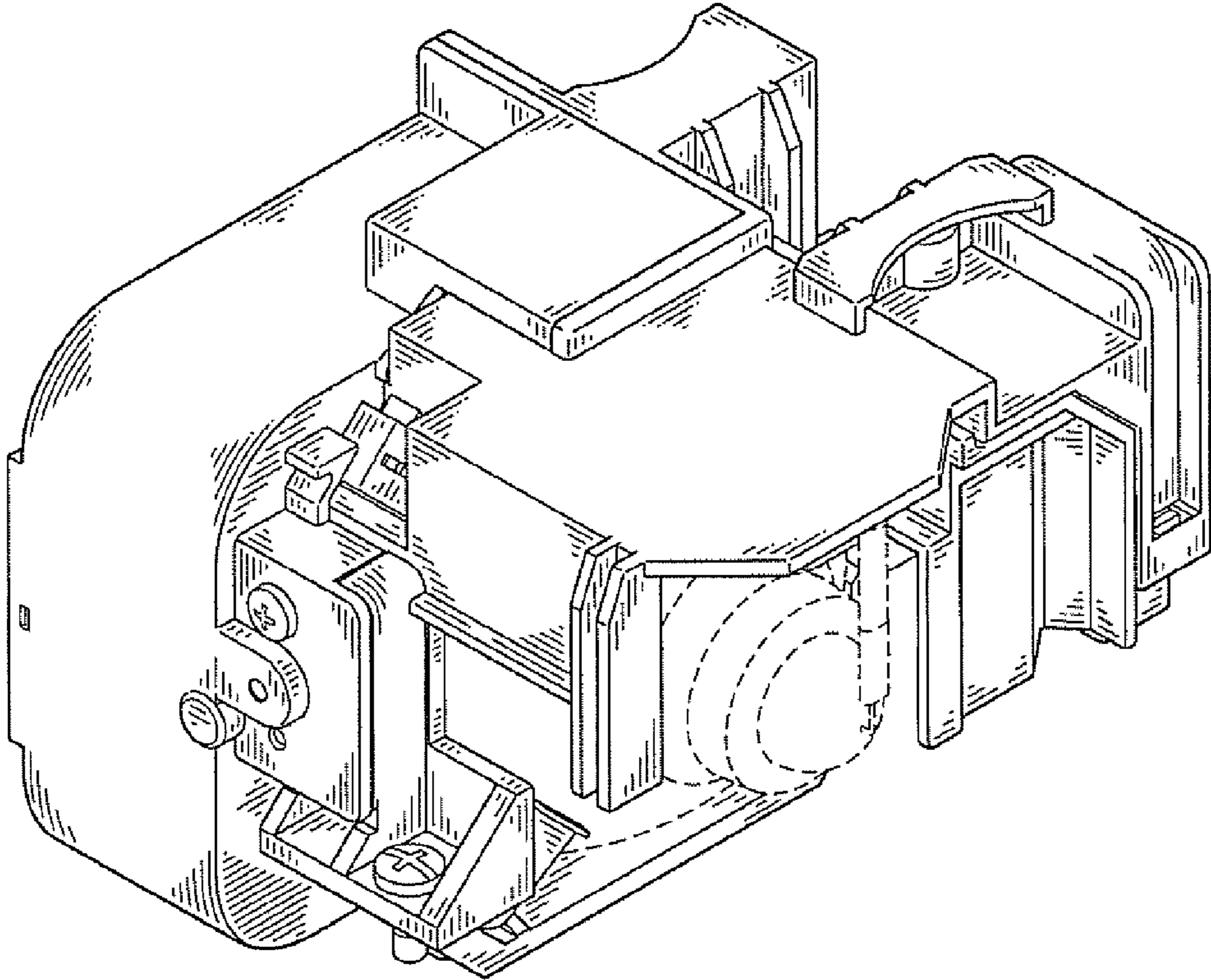


FIG. 3

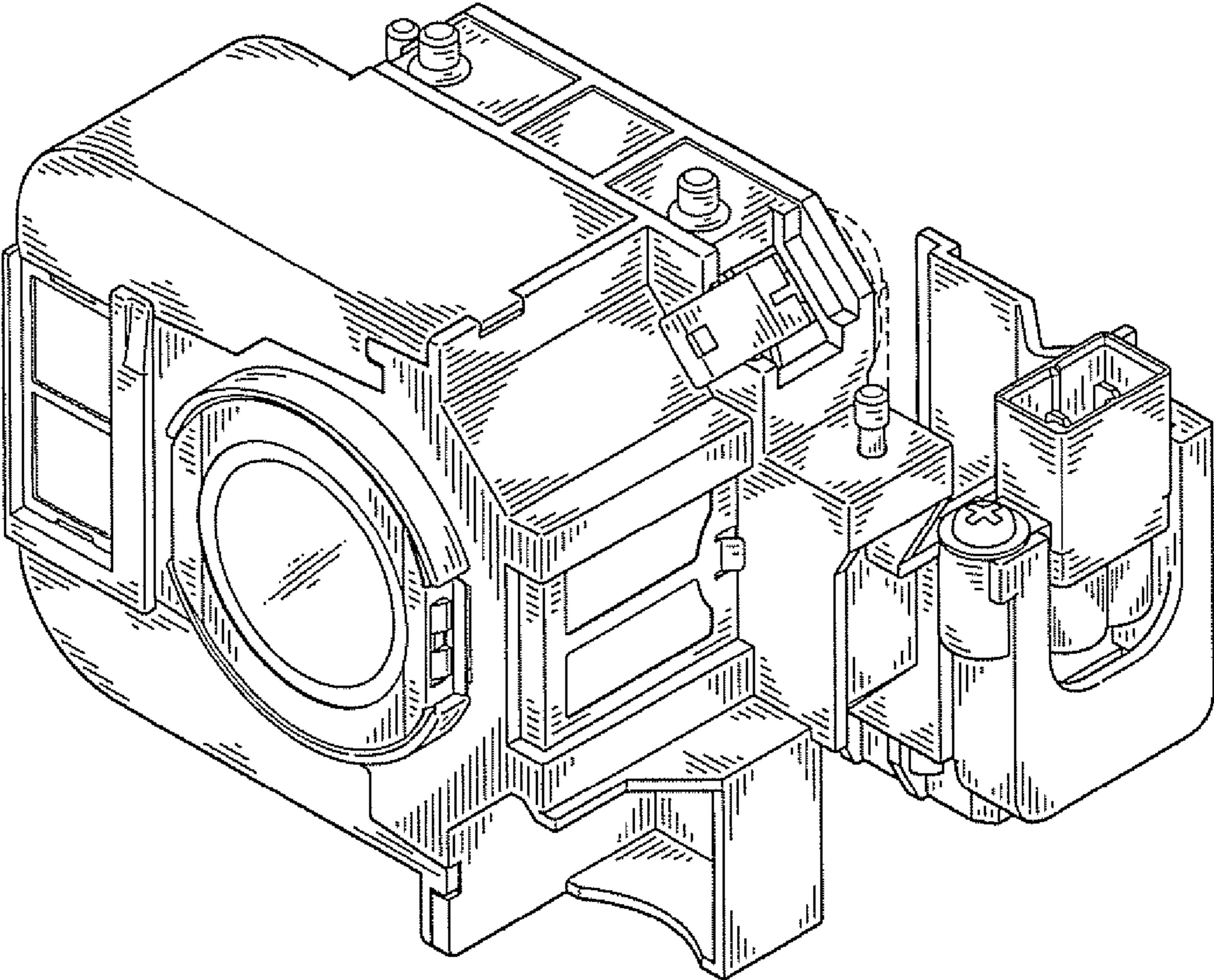


FIG. 4

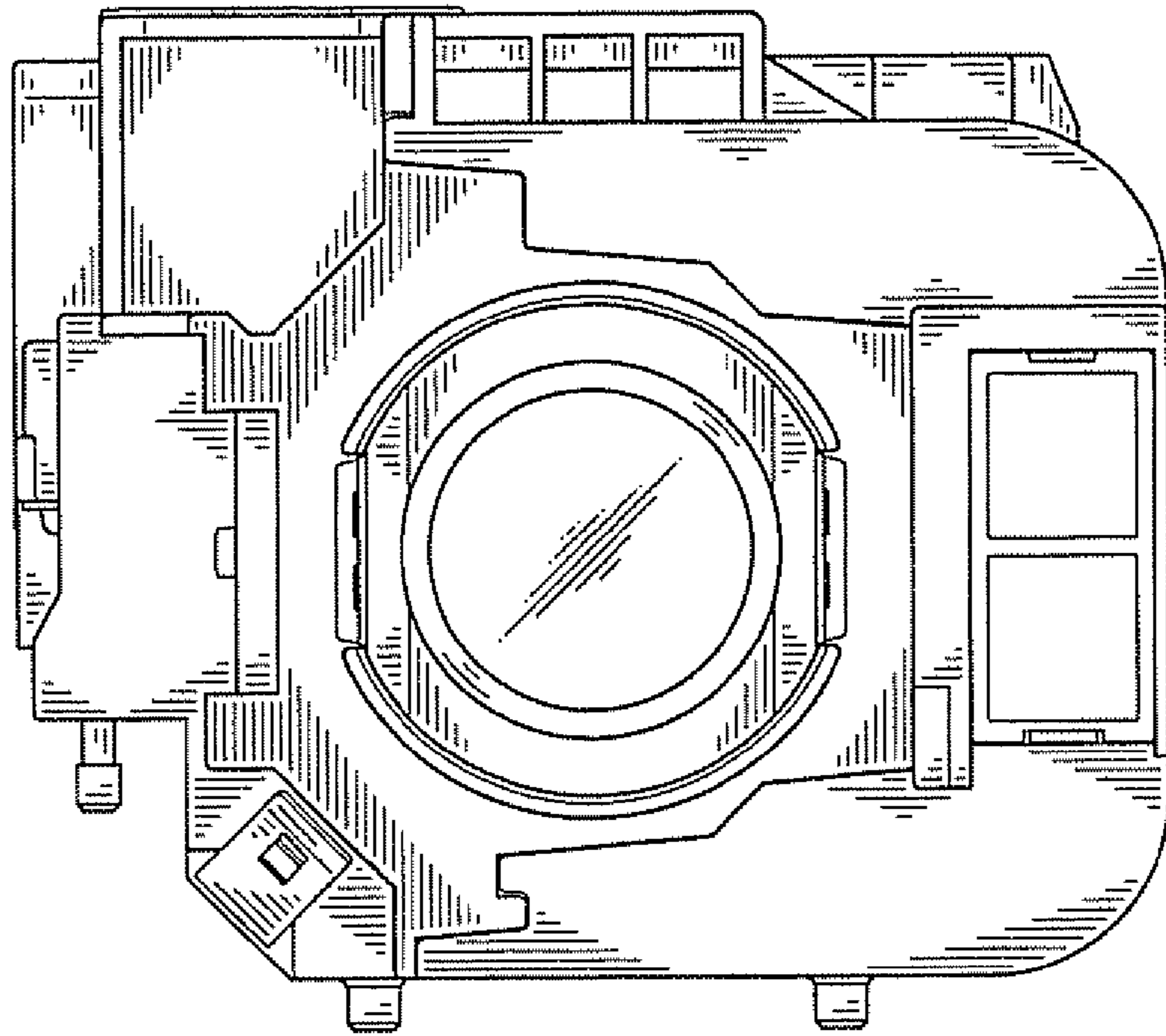


FIG. 5

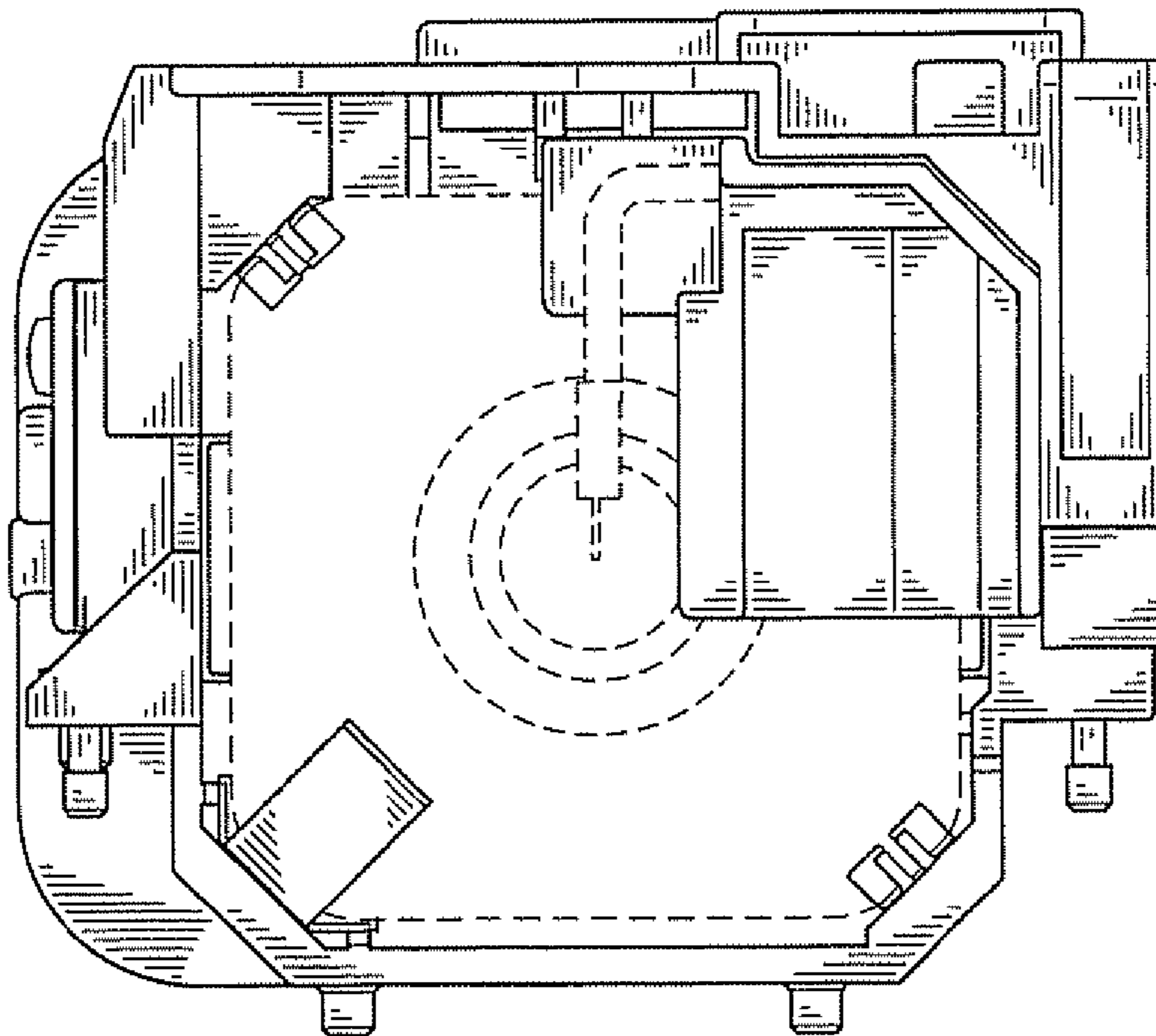


FIG. 6

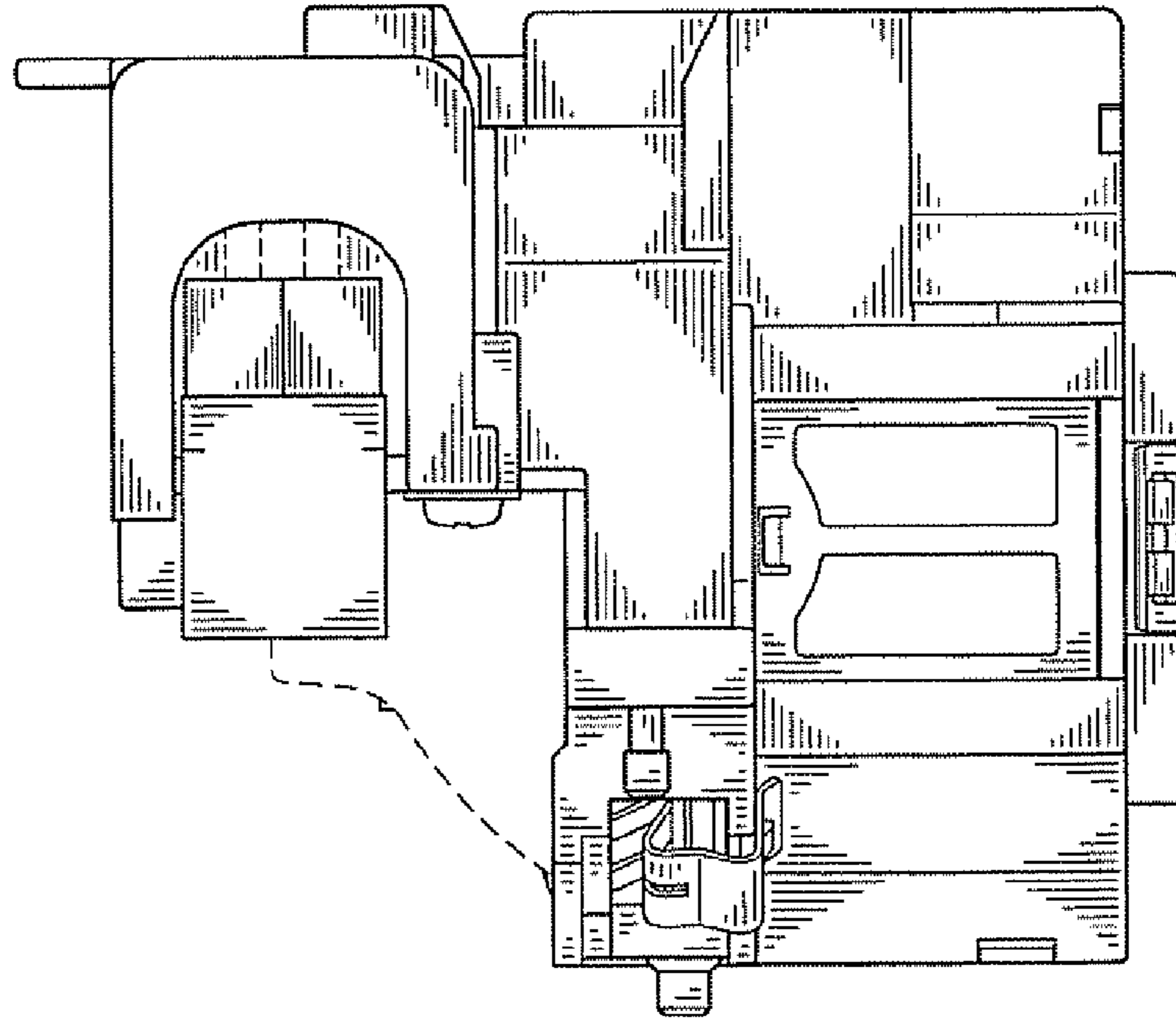


FIG. 7

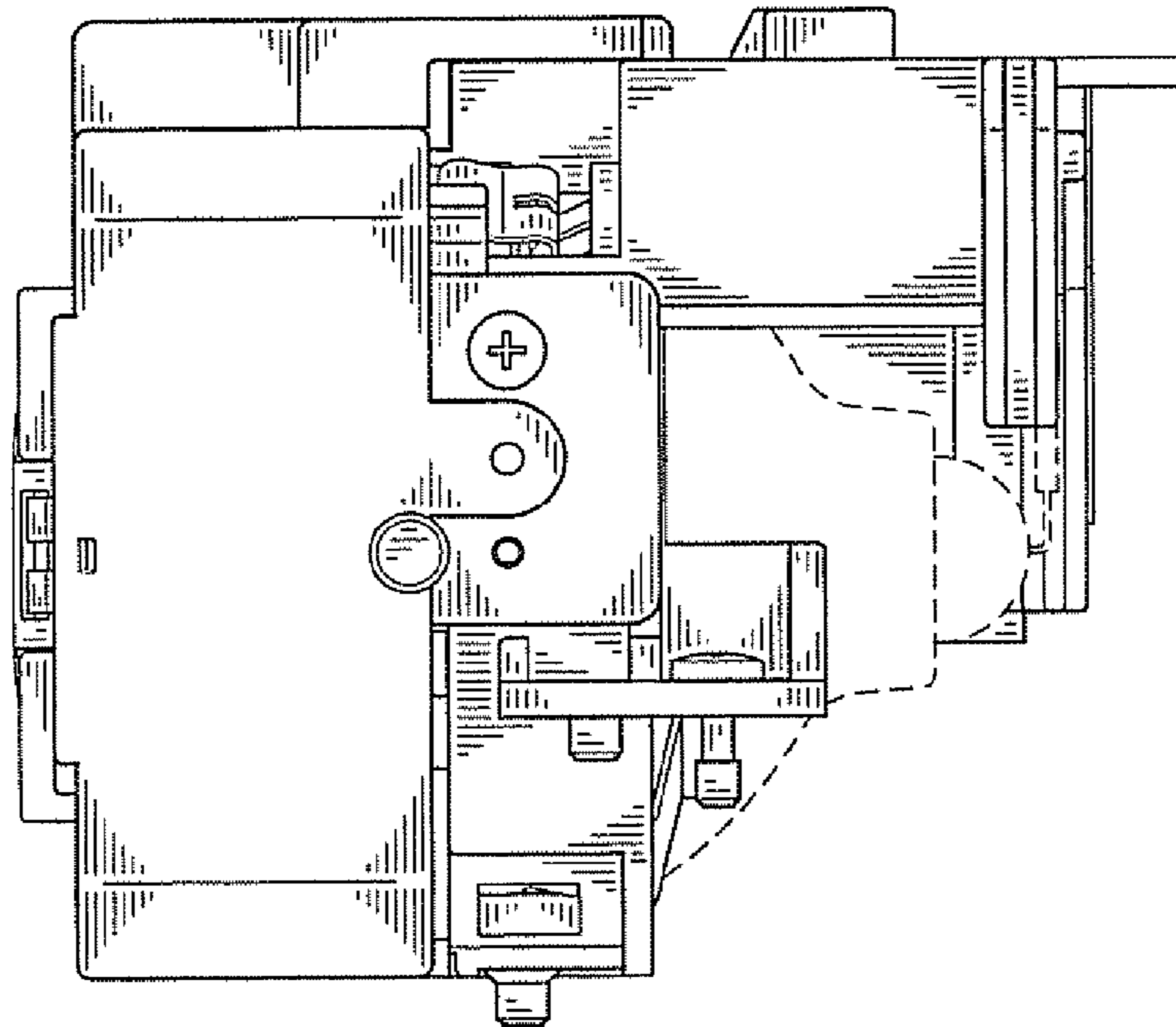


FIG. 8

FIG. 9

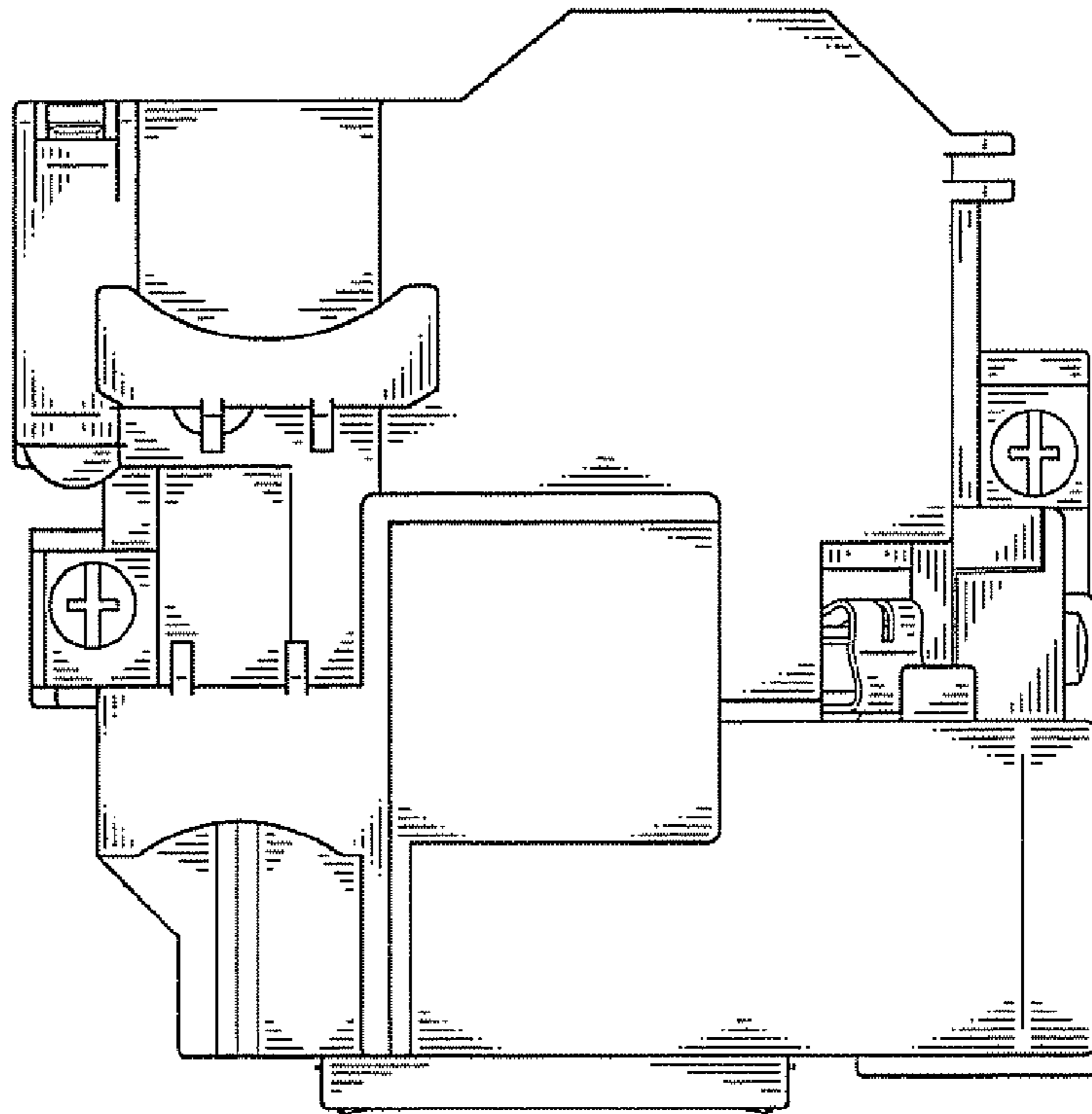


FIG. 10

