



US00D605682S

(12) **United States Design Patent**
Messner

(10) **Patent No.:** **US D605,682 S**

(45) **Date of Patent:** **** Dec. 8, 2009**

(54) **PROJECTOR**

2005/0041221 A1* 2/2005 Buroni 353/119

(75) Inventor: **Barry Messner**, Anaheim Hills, CA
(US)

* cited by examiner

(73) Assignee: **MerchSource, LLC**, Foothill Ranch, CA
(US)

Primary Examiner—Ian Simmons

Assistant Examiner—Wan Laymon

(74) *Attorney, Agent, or Firm*—The Eclipse Group LLP

(**) Term: **14 Years**

(57) **CLAIM**

(21) Appl. No.: **29/325,502**

We claim the ornamental design for a projector, as shown and described.

(22) Filed: **Oct. 1, 2008**

DESCRIPTION

(30) **Foreign Application Priority Data**

Aug. 18, 2008 (CN) 2008 3 0056456

FIG. 1 is a top, left and front perspective view of a projector showing my new design;

(51) **LOC (9) Cl.** **16-02**

(52) **U.S. Cl.** **D16/230; D16/225**

FIG. 2 is a bottom, right and front perspective view of the projector thereof;

(58) **Field of Classification Search** D16/200,

D16/205, 208, 213, 221, 225, 230–231; D21/514;

353/115, 119, 122

FIG. 3 is a front elevation view thereof;

FIG. 4 is a rear elevation view thereof;

FIG. 5 is a right side view thereof;

FIG. 6 is a left side view thereof;

FIG. 7 is a top plan view thereof; and,

FIG. 8 is a bottom plan view thereof.

See application file for complete search history.

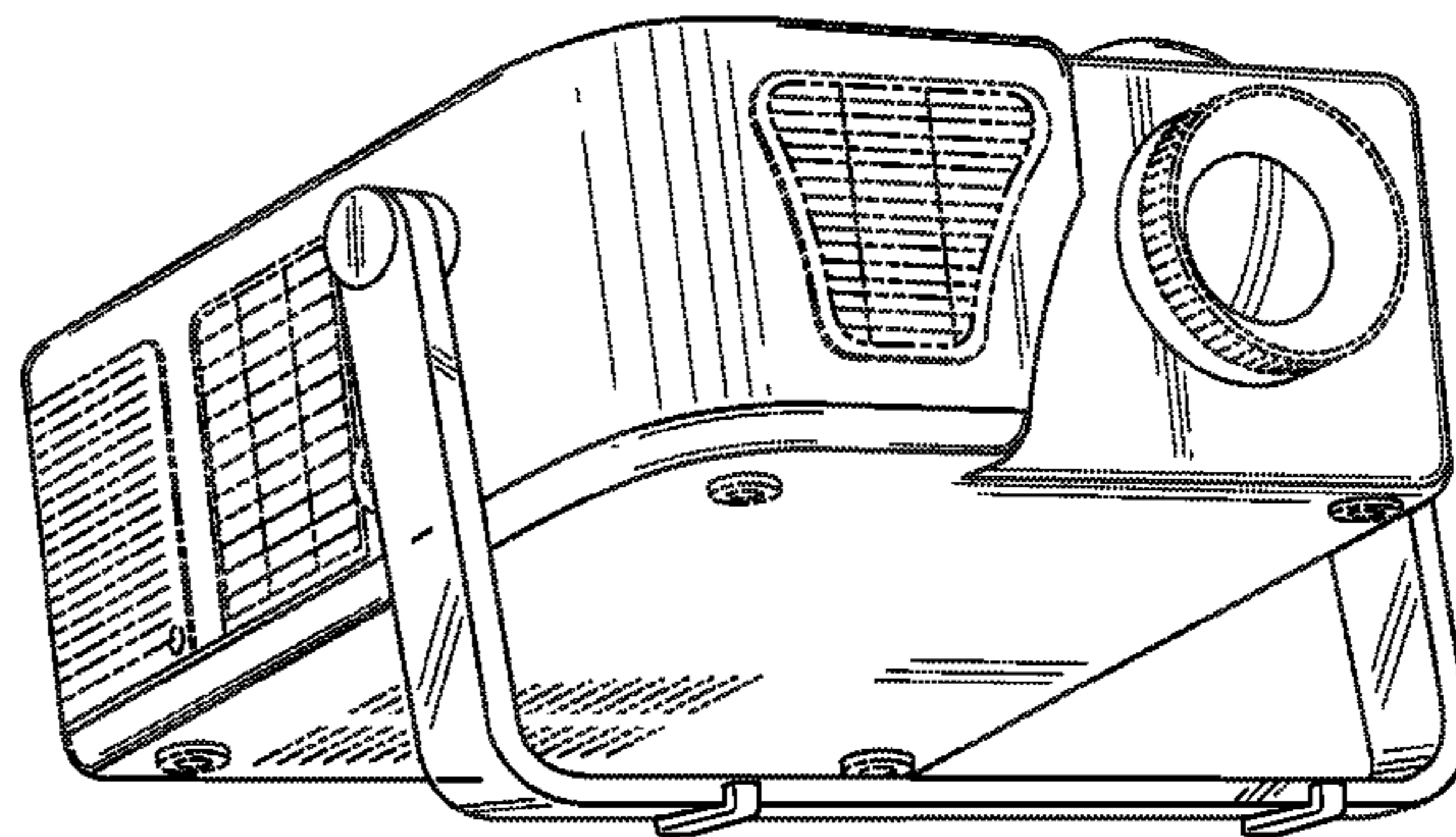
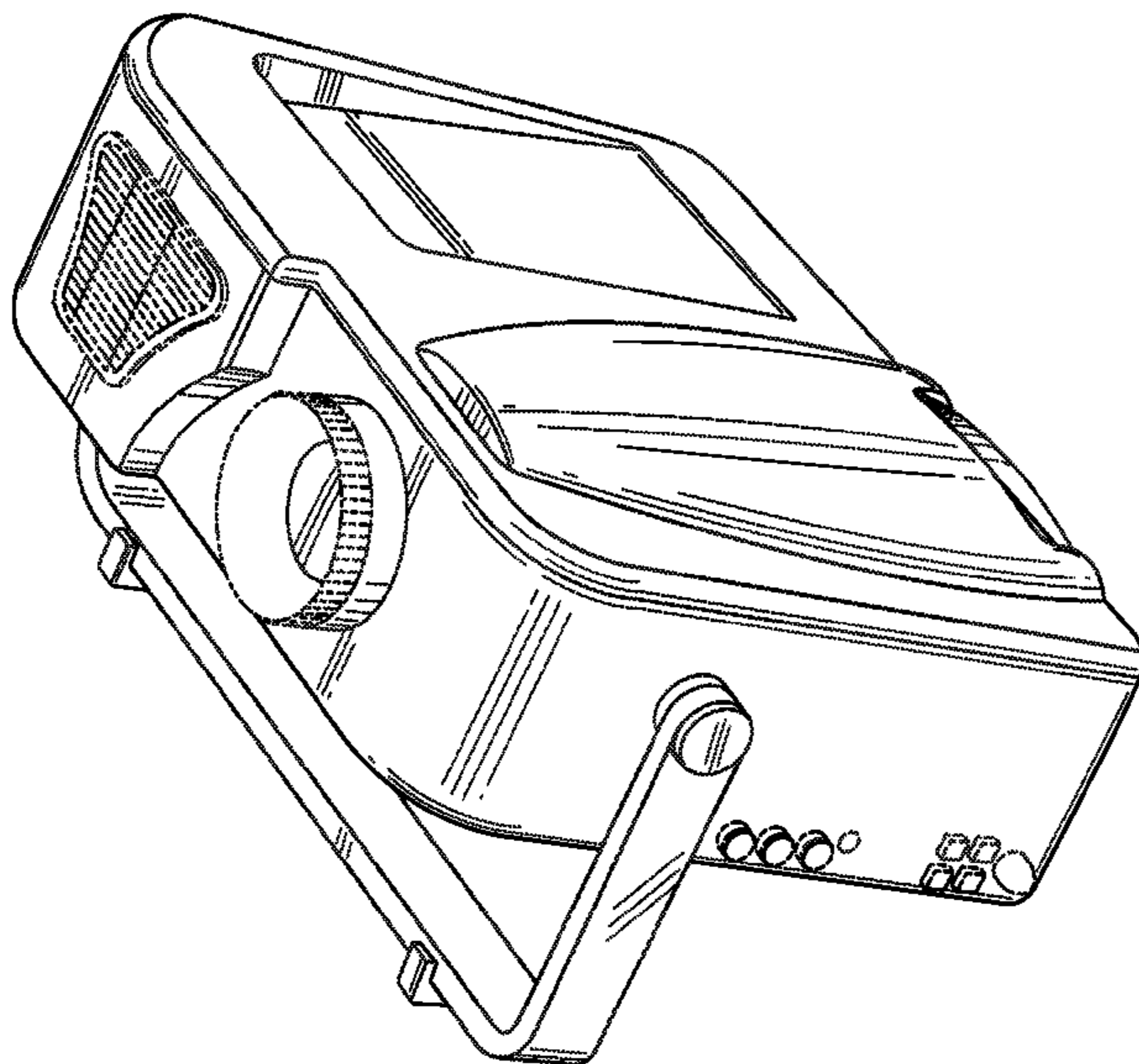
The portions of the projector in broken lines are shown for illustrative purposes only and form no part of the claimed design.

(56) **References Cited**

U.S. PATENT DOCUMENTS

D185,994 S *	8/1959	Lanigan	D16/234
D204,032 S *	3/1966	Herbst et al.	D16/234
D343,850 S *	2/1994	Saeki et al.	D16/234
D491,971 S *	6/2004	Oross et al.	D16/225
7,083,289 B2 *	8/2006	Oross et al.	353/119

1 Claim, 8 Drawing Sheets



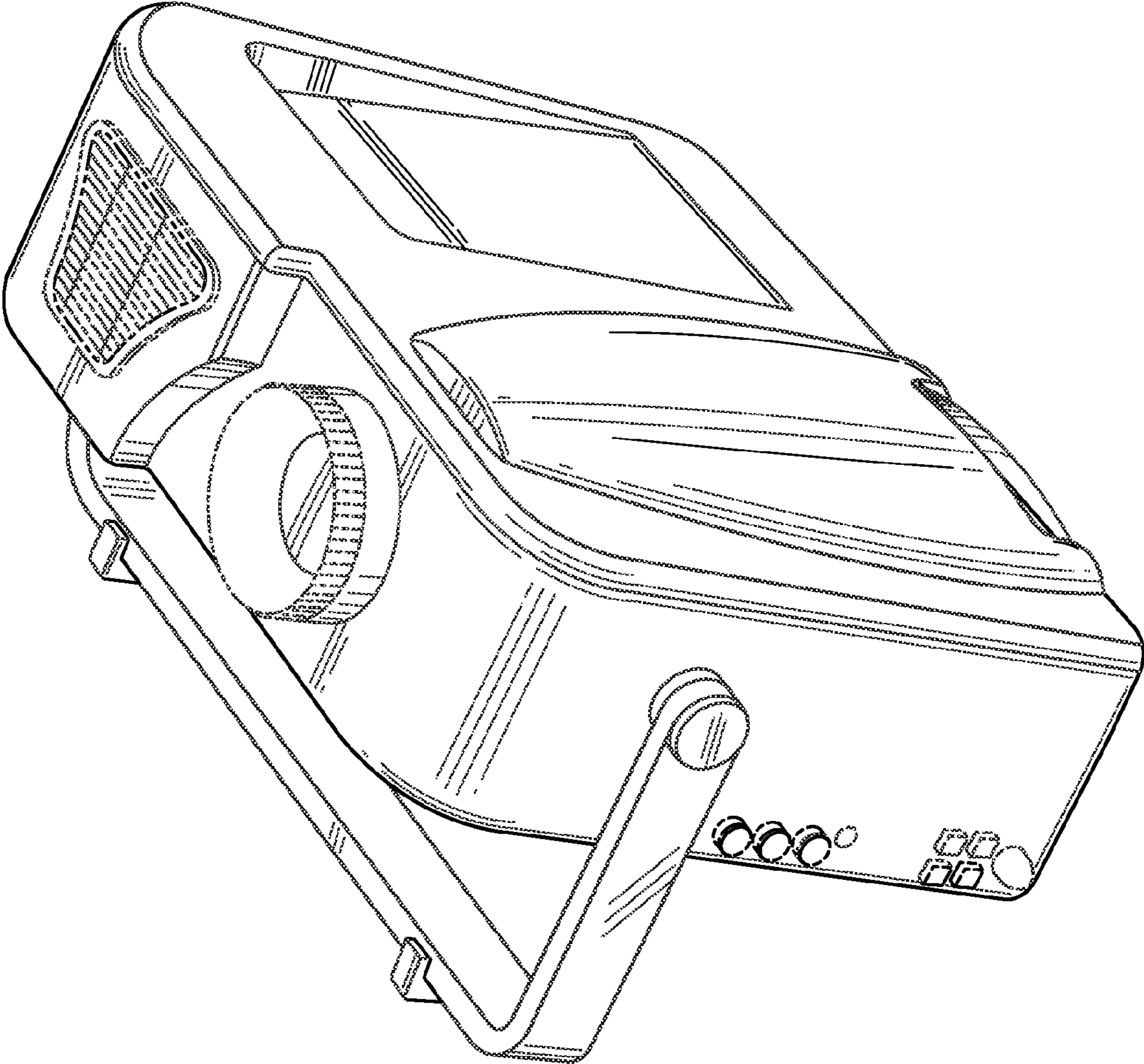


Fig. 1

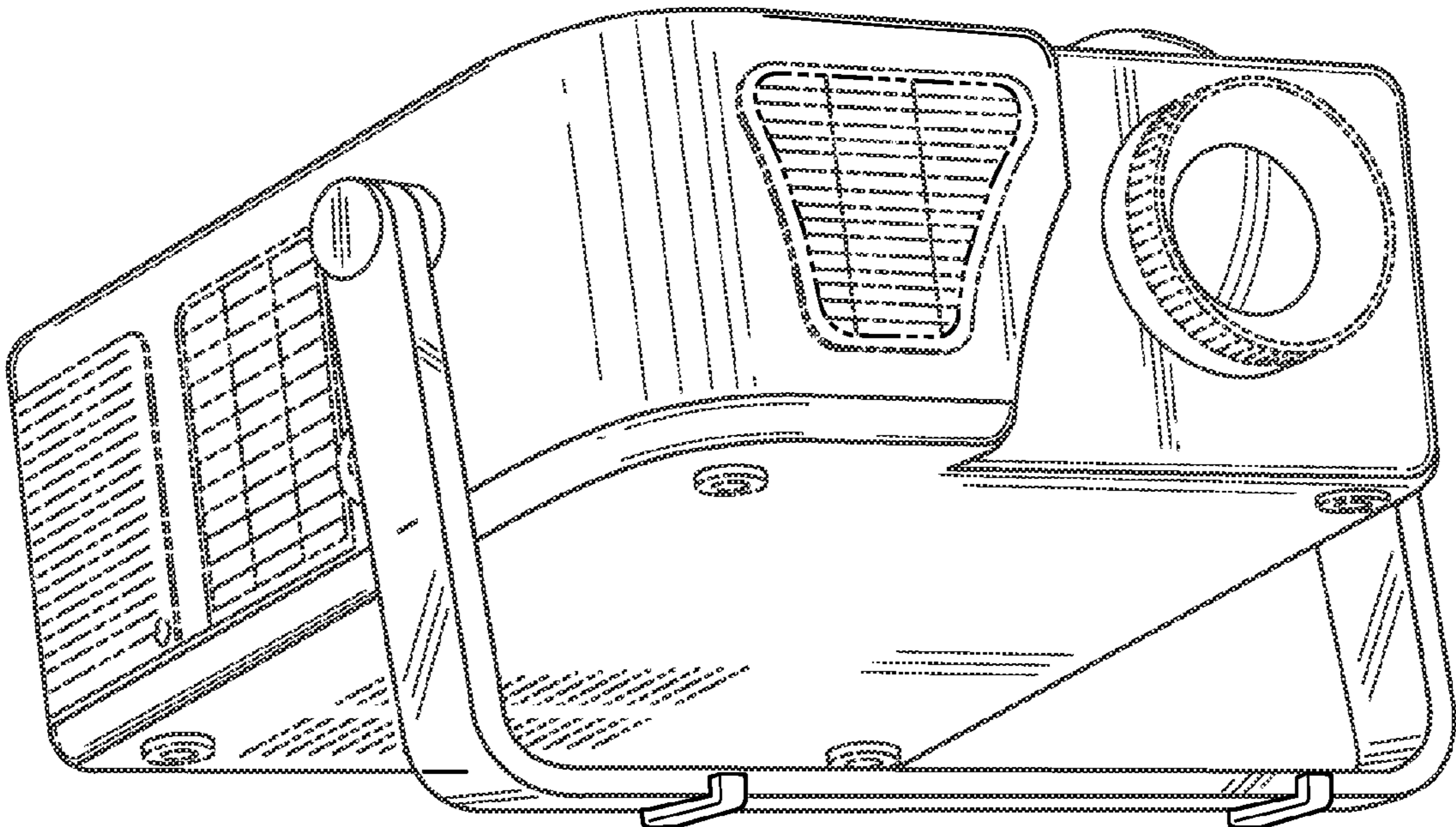


Fig. 2

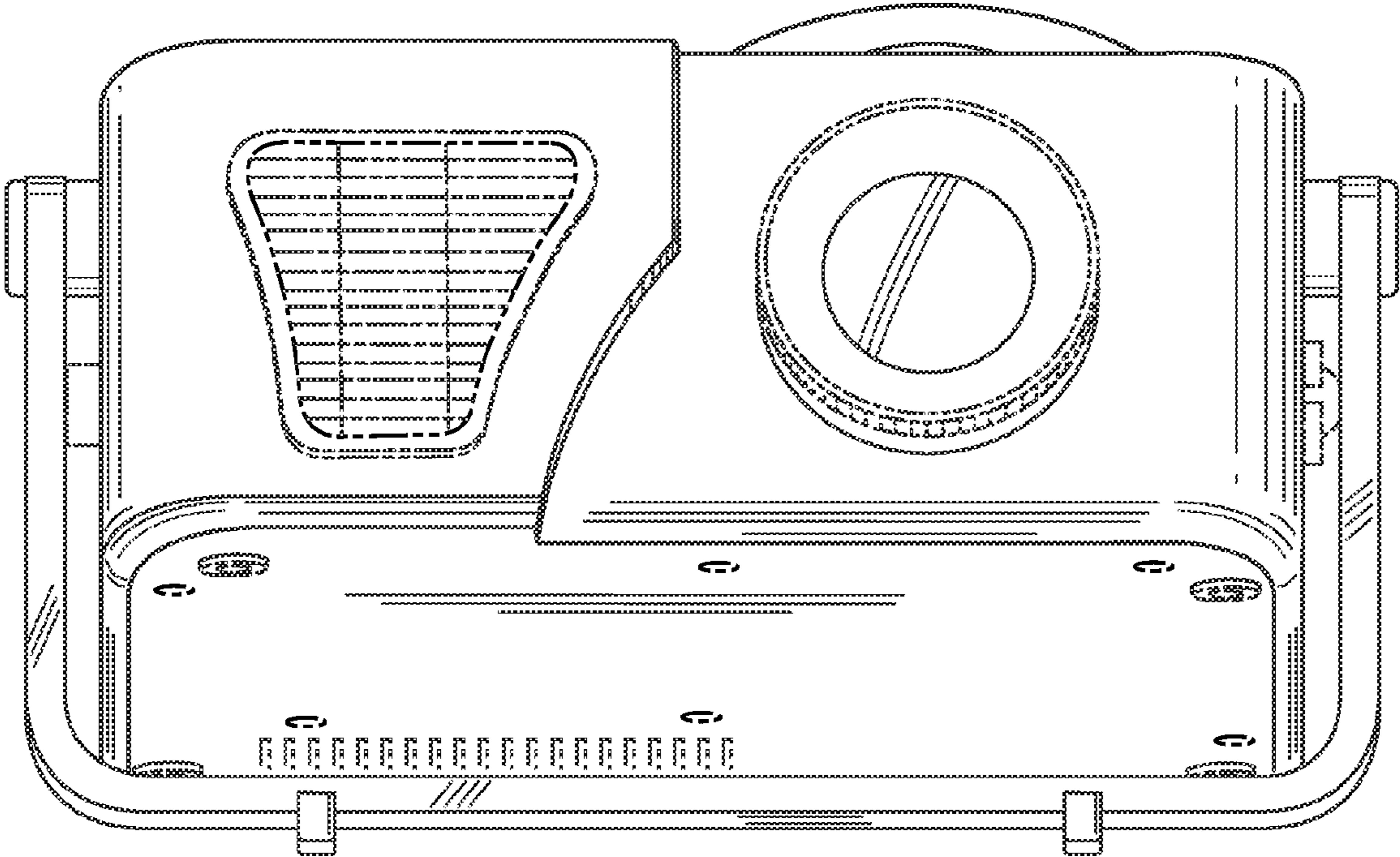


Fig. 3

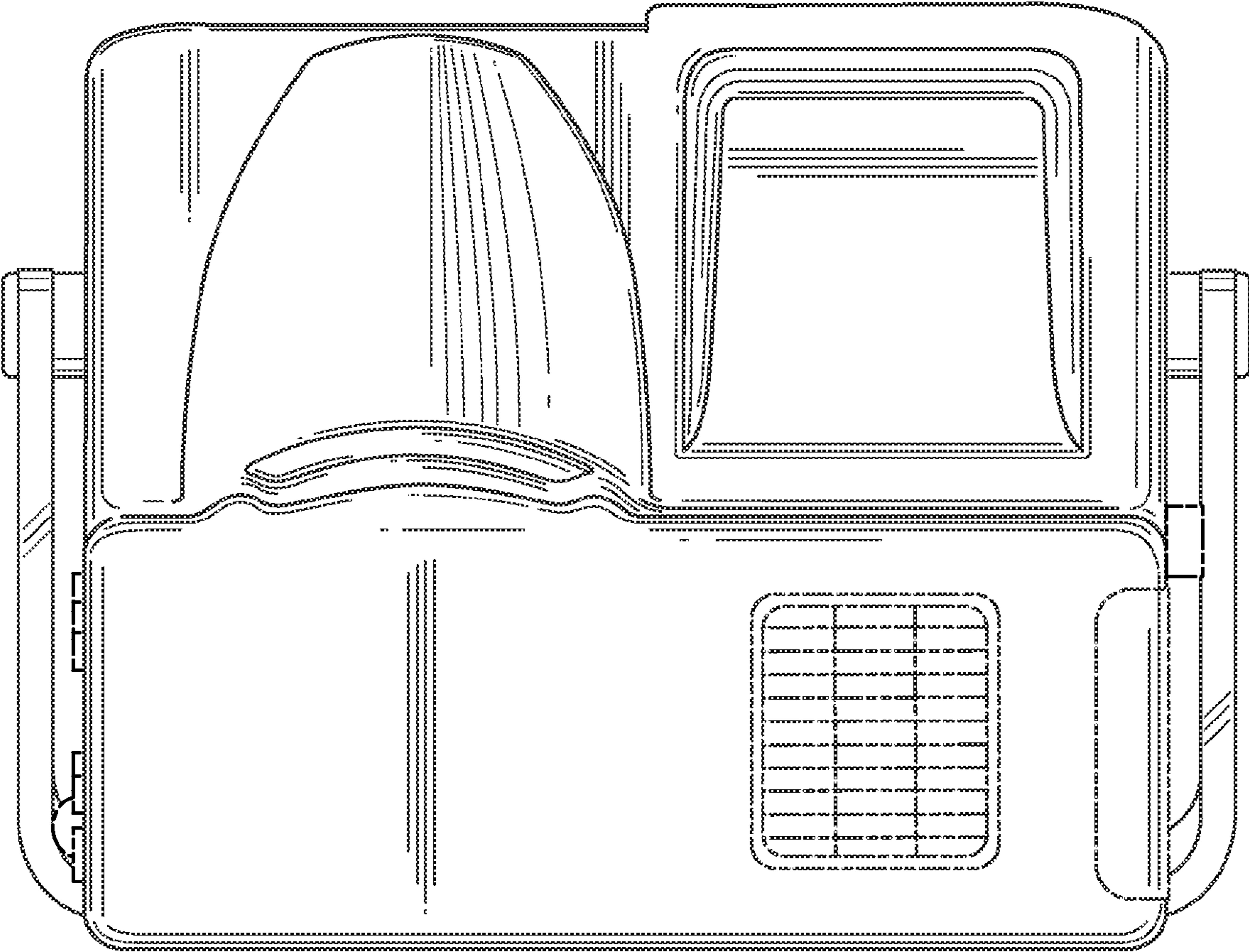


Fig. 4

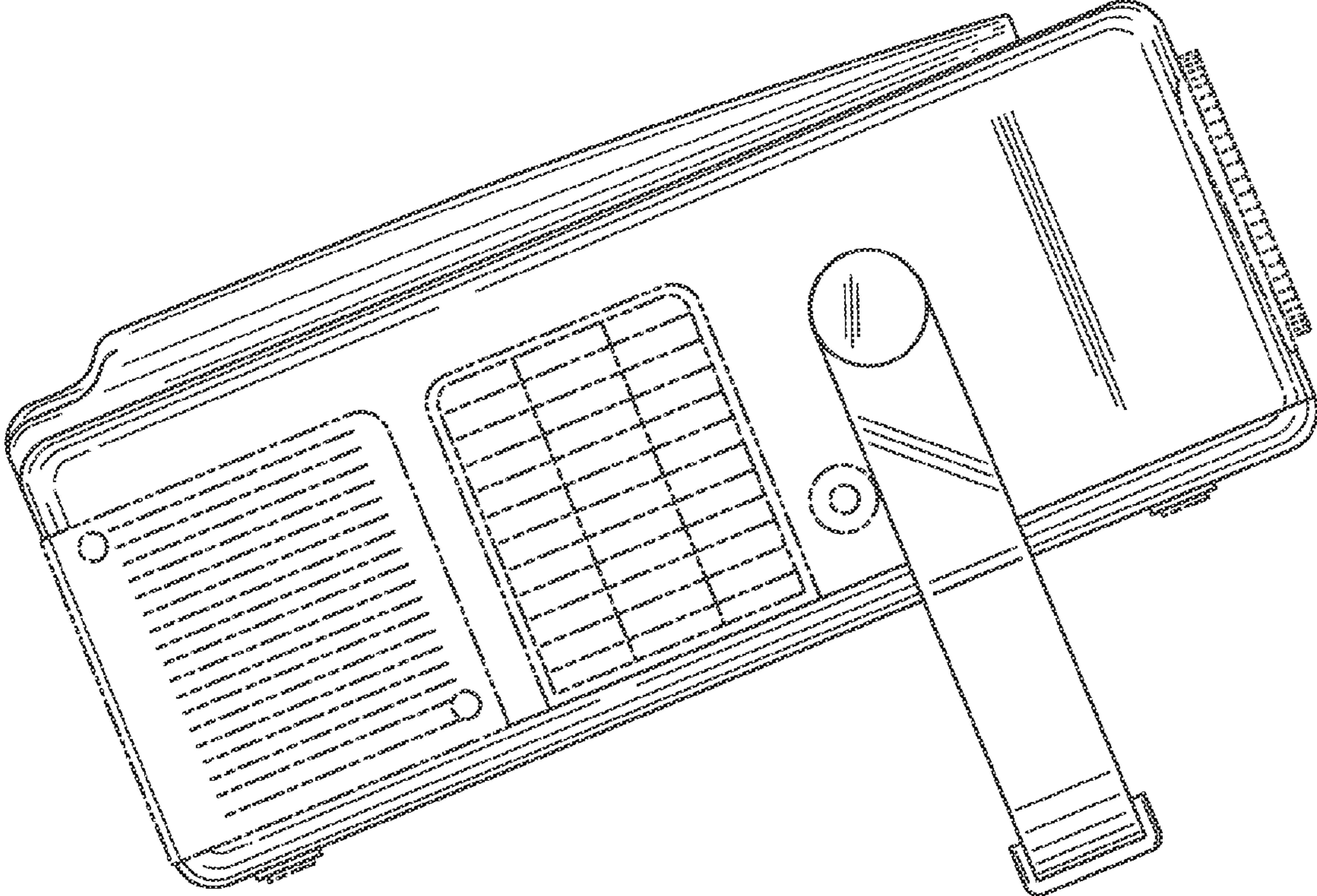


Fig. 5

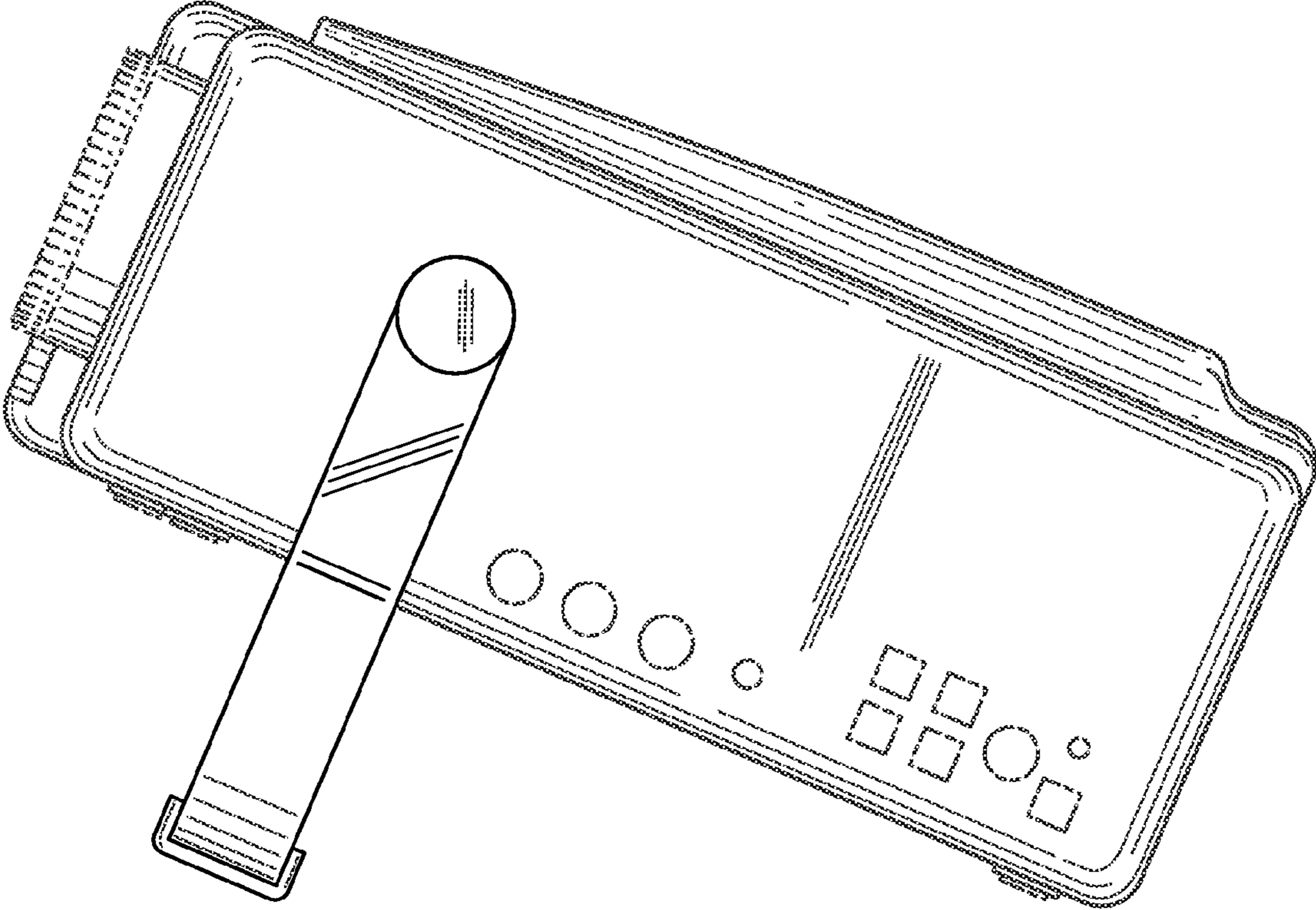


Fig. 6

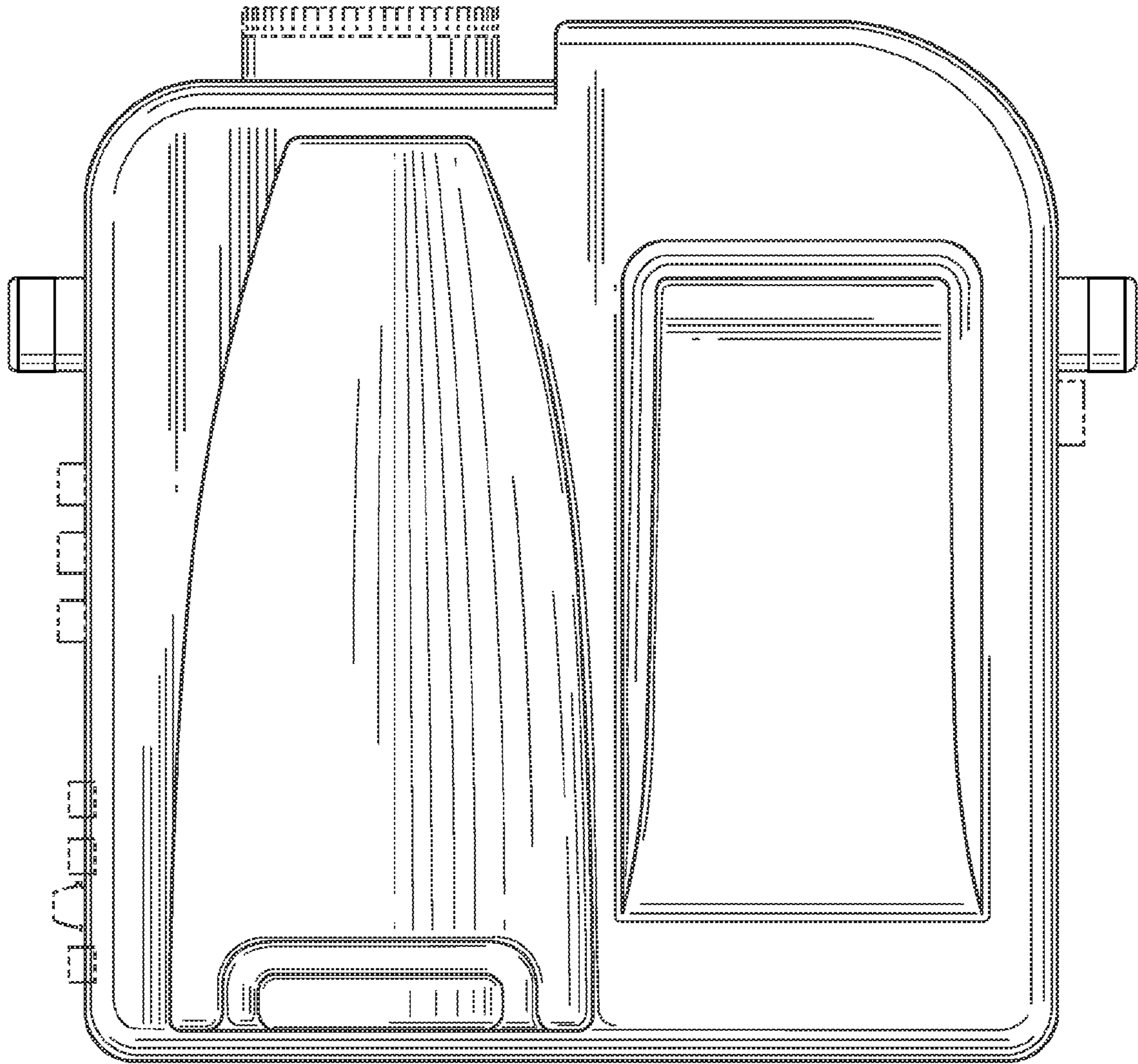


Fig. 7

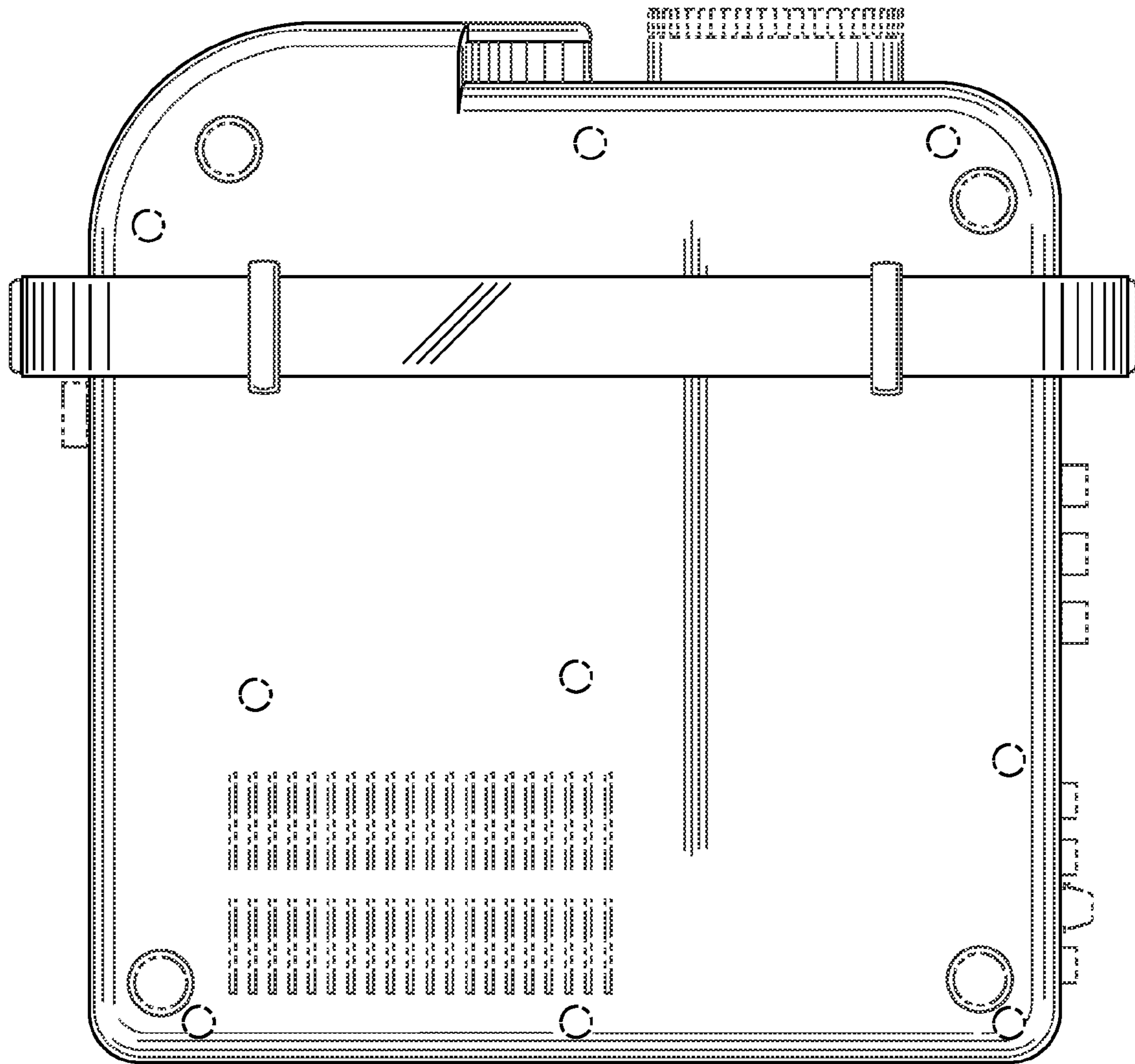


Fig. 8

UNITED STATES PATENT AND TRADEMARK OFFICE
CERTIFICATE OF CORRECTION

PATENT NO. : Des. 605,682 S
APPLICATION NO. : 29/325502
DATED : December 8, 2009
INVENTOR(S) : Barry Messner

Page 1 of 10

It is certified that error appears in the above-identified patent and that said Letters Patent is hereby corrected as shown below:

Delete the title page and substitute therefore the attached title page consisting of corrected Figs. 1 and 2.

In the Drawings:

Please replace drawing sheets 1-8 containing Figures 1-8 with the attached Replacement Sheets of Figures 1-8.

Signed and Sealed this

Twentieth Day of April, 2010



David J. Kappos
Director of the United States Patent and Trademark Office

(12) **United States Design Patent**
Messner

(10) **Patent No.:** **US D605,682 S**
(45) **Date of Patent:** **** Dec. 8, 2009**

(54) **PROJECTOR**

(75) **Inventor:** **Barry Messner**, Anaheim Hills, CA
(US)
(73) **Assignee:** **MerchSource, LLC**, Foothill Ranch, CA
(US)

(**) **Term:** **14 Years**

(21) **Appl. No.:** **29/325,502**

(22) **Filed:** **Oct. 1, 2008**

(30) **Foreign Application Priority Data**
Aug. 18, 2008 (CN) 2008 3 0056456

(51) **LOC (9) Cl.** **16-02**
(52) **U.S. Cl.** **D16/230; D16/225**
(58) **Field of Classification Search** **D16/200,**
D16/205, 208, 213, 221, 225, 230-231; D21/514;
353/115, 119, 122

See application file for complete search history.

(56) **References Cited**

U.S. PATENT DOCUMENTS

D185,994	S *	8/1959	Lanigan	D16/234
D204,032	S *	3/1966	Herbst et al.	D16/234
D343,850	S *	2/1994	Saeki et al.	D16/234
D491,971	S *	6/2004	Oross et al.	D16/225
7,083,289	B2 *	8/2006	Oross et al.	353/119

2005/0041221 A1 * 2/2005 Buroni 353/119

* cited by examiner

Primary Examiner—Ian Simmons
Assistant Examiner—Wan Laymon
(74) *Attorney, Agent, or Firm* — The Eclipse Group LLP

(57) **CLAIM**

We claim the ornamental design for a projector, as shown and described.

DESCRIPTION

FIG. 1 is a top, left and front perspective view of a projector showing my new design;

FIG. 2 is a bottom, right and front perspective view of the projector thereof;

FIG. 3 is a front elevation view thereof;

FIG. 4 is a rear elevation view thereof;

FIG. 5 is a right side view thereof;

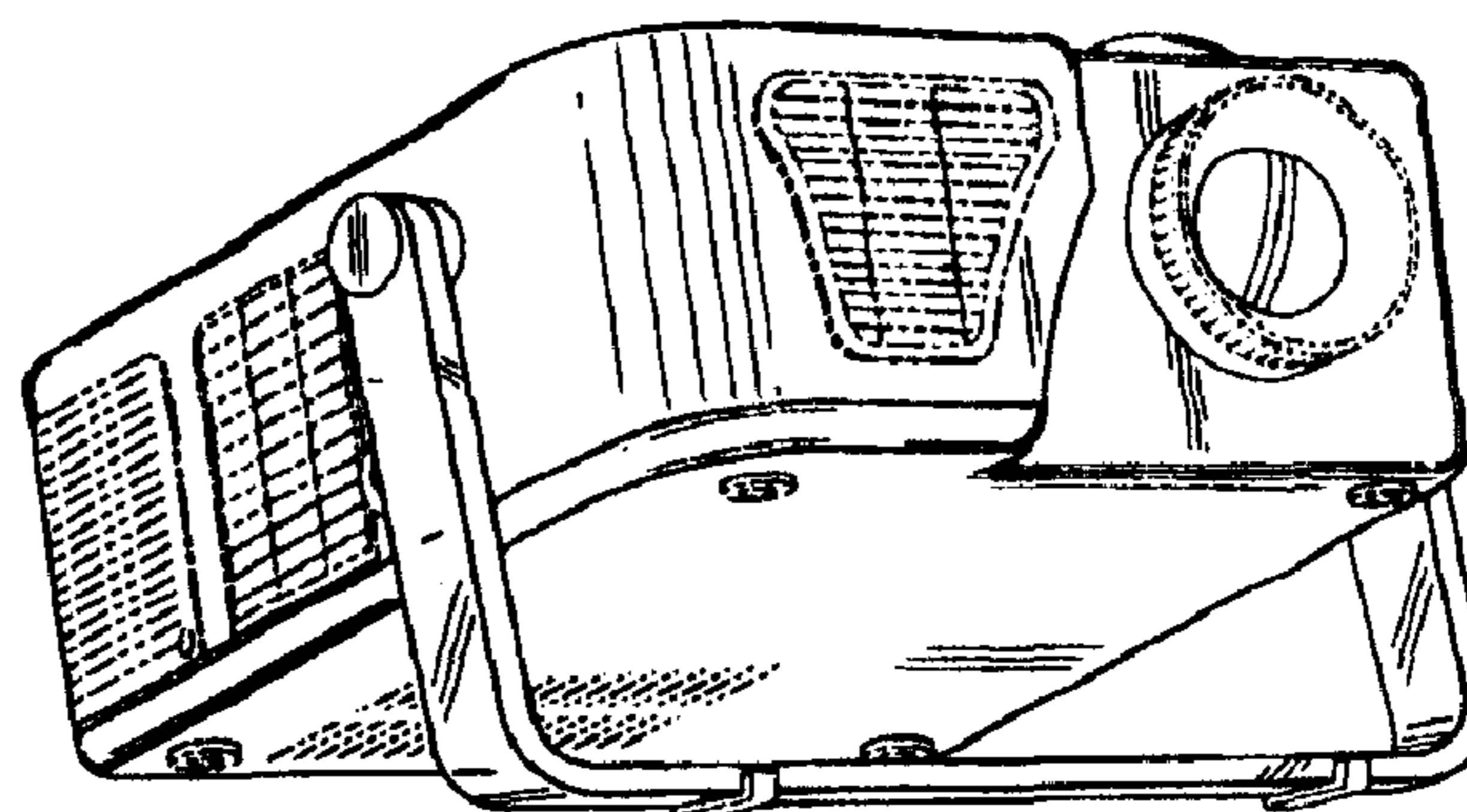
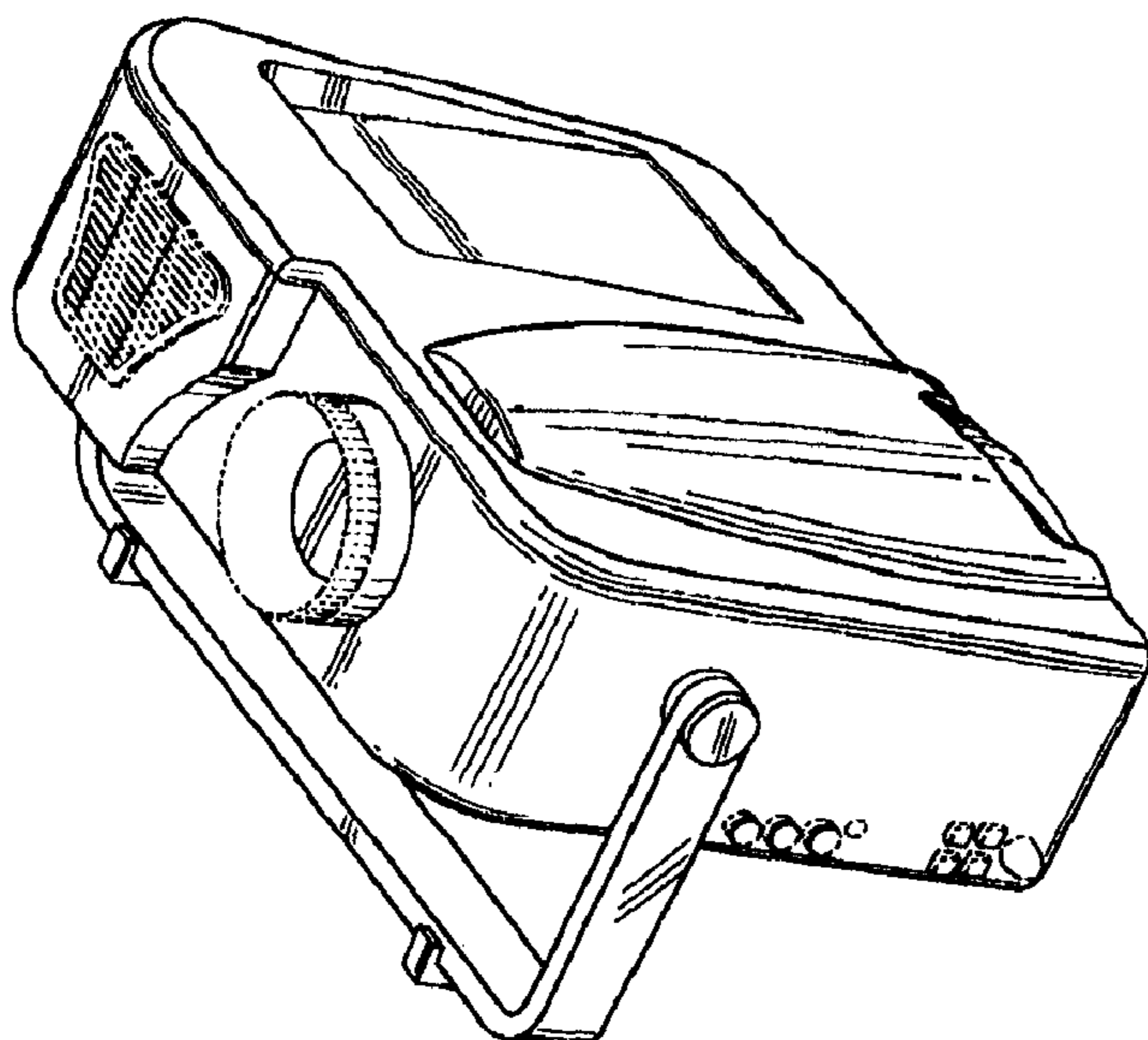
FIG. 6 is a left side view thereof;

FIG. 7 is a top plan view thereof; and,

FIG. 8 is a bottom plan view thereof.

The portions of the projector in broken lines are shown for illustrative purposes only and form no part of the claimed design.

1 Claim, 8 Drawing Sheets



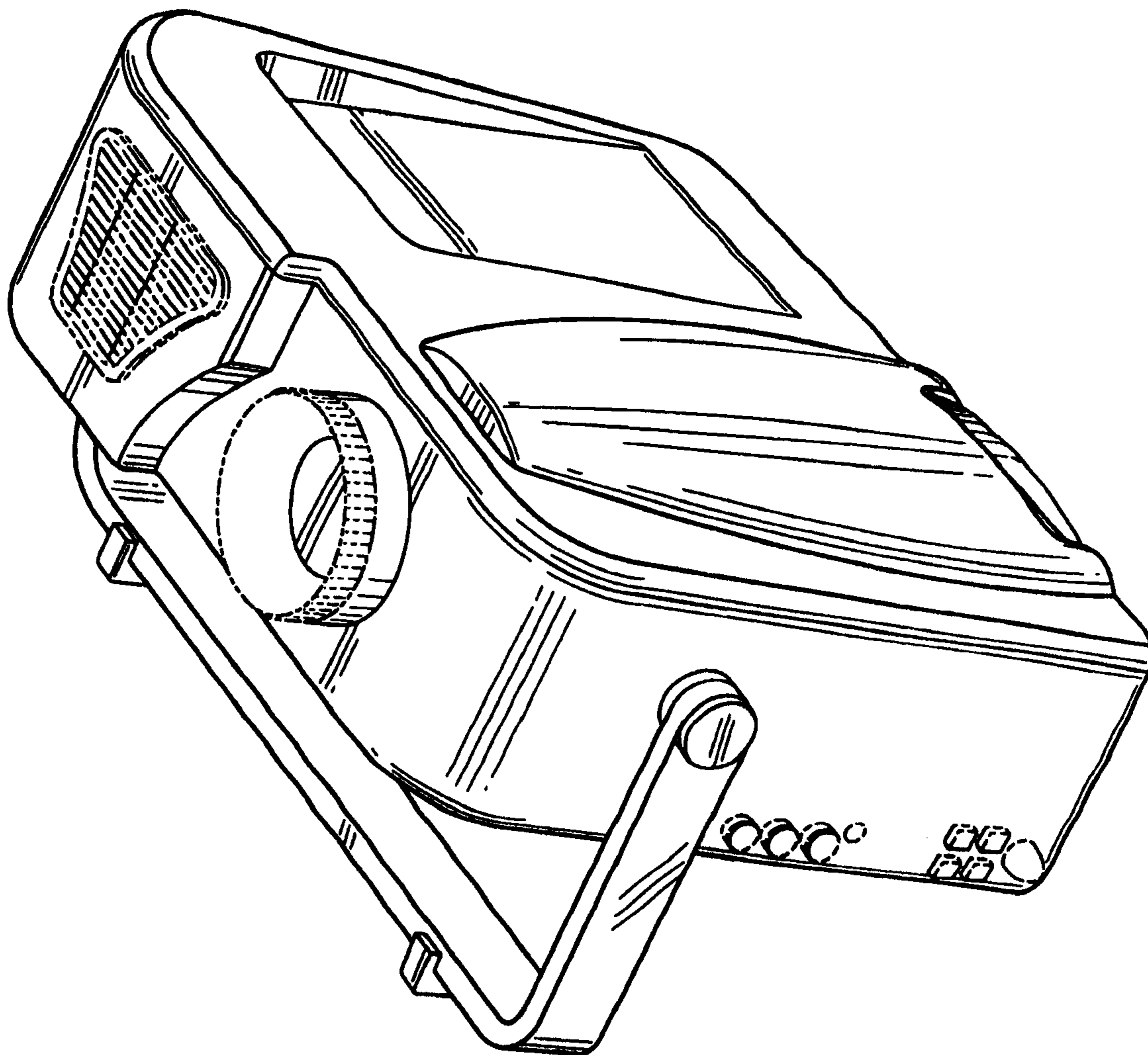


Fig. 1

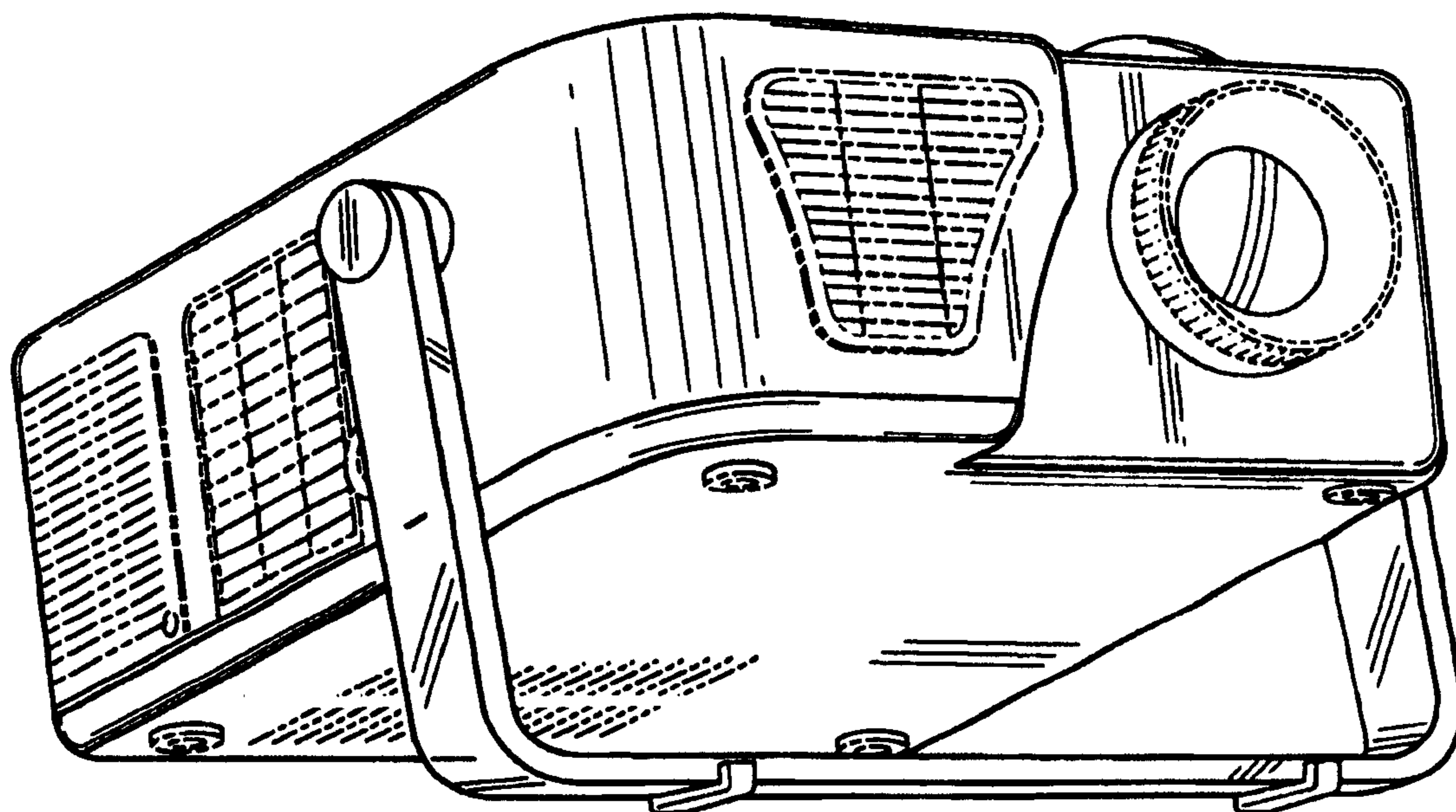


Fig. 2

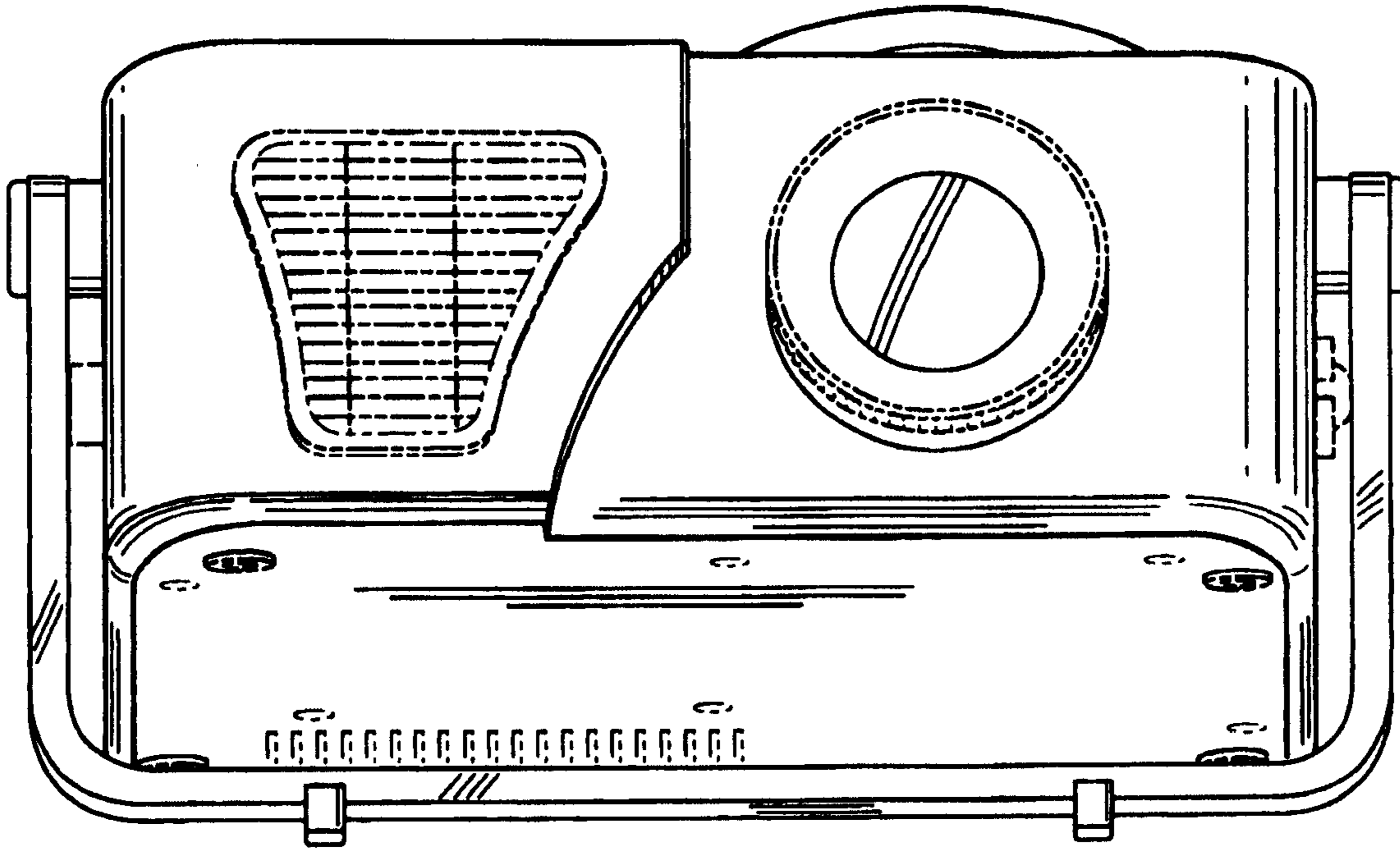


Fig. 3

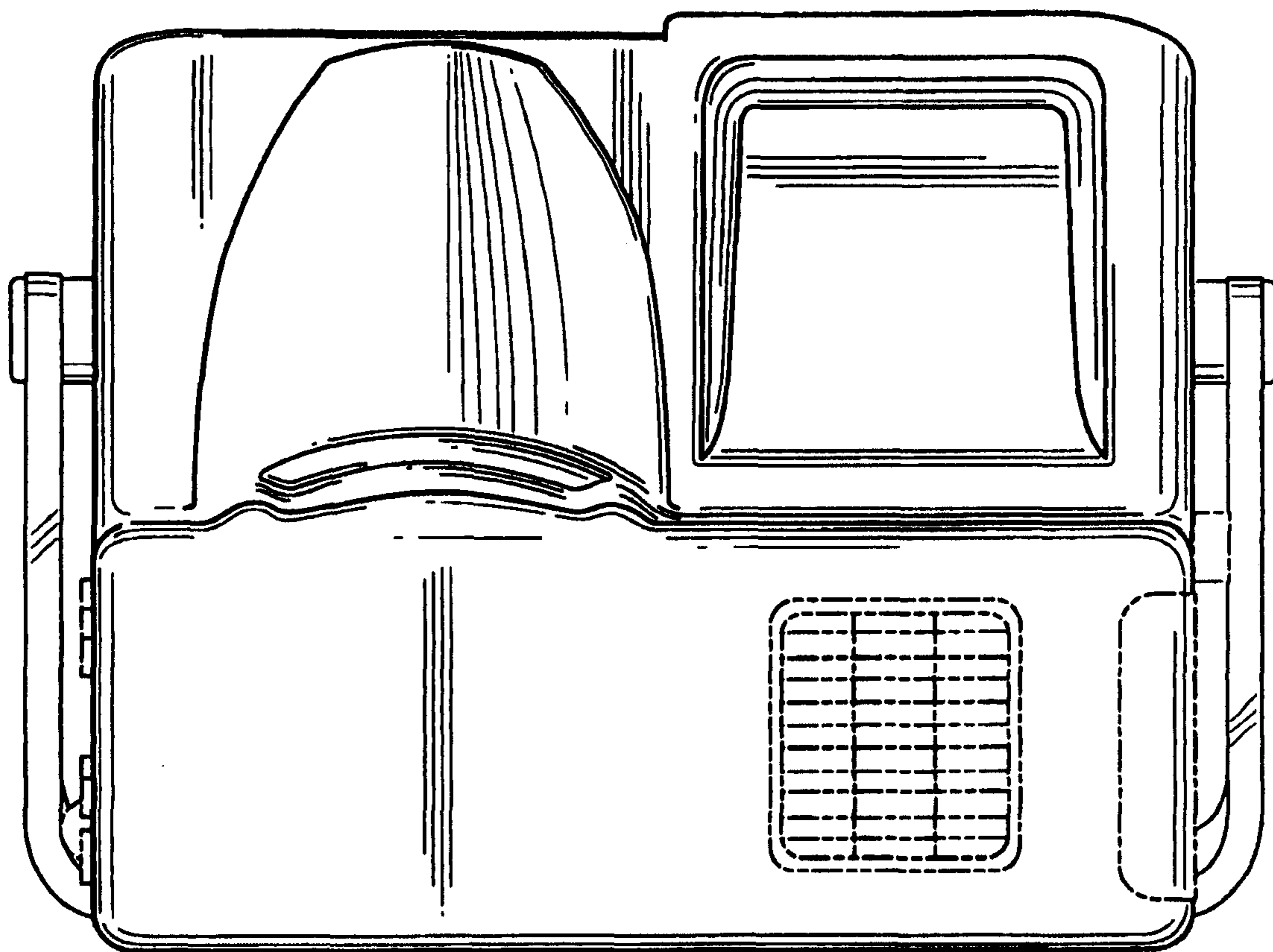


Fig. 4

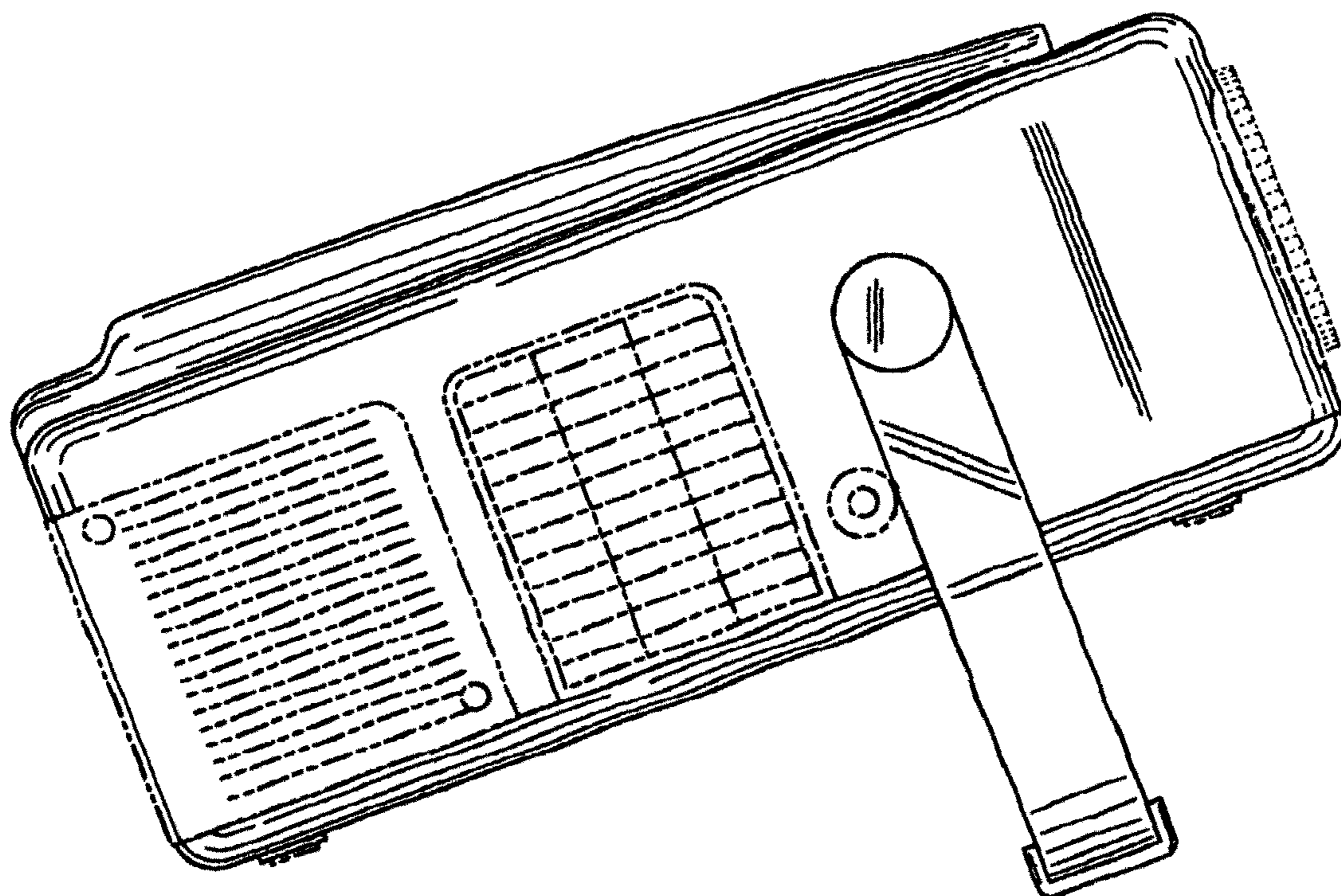


Fig. 5

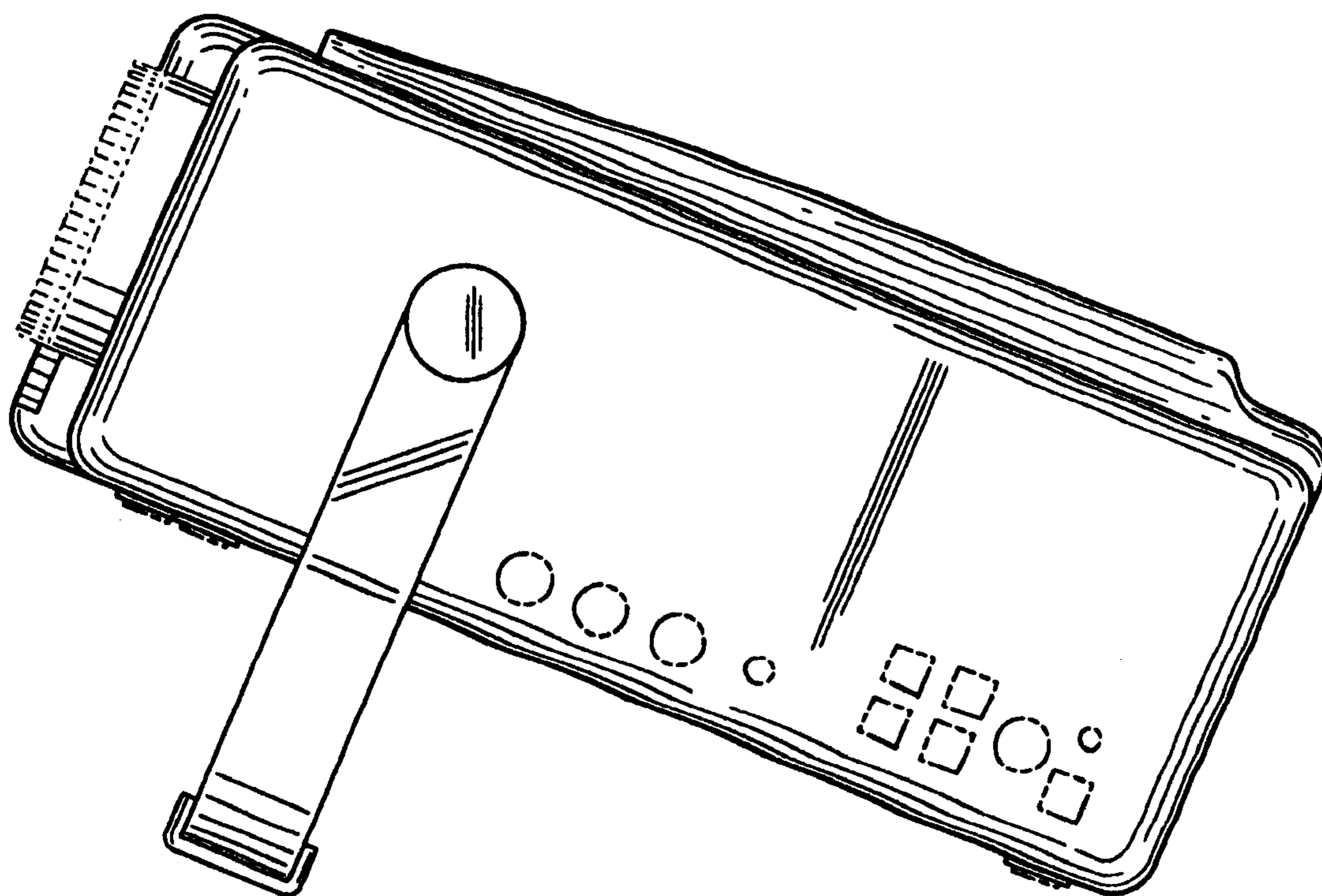


Fig. 6

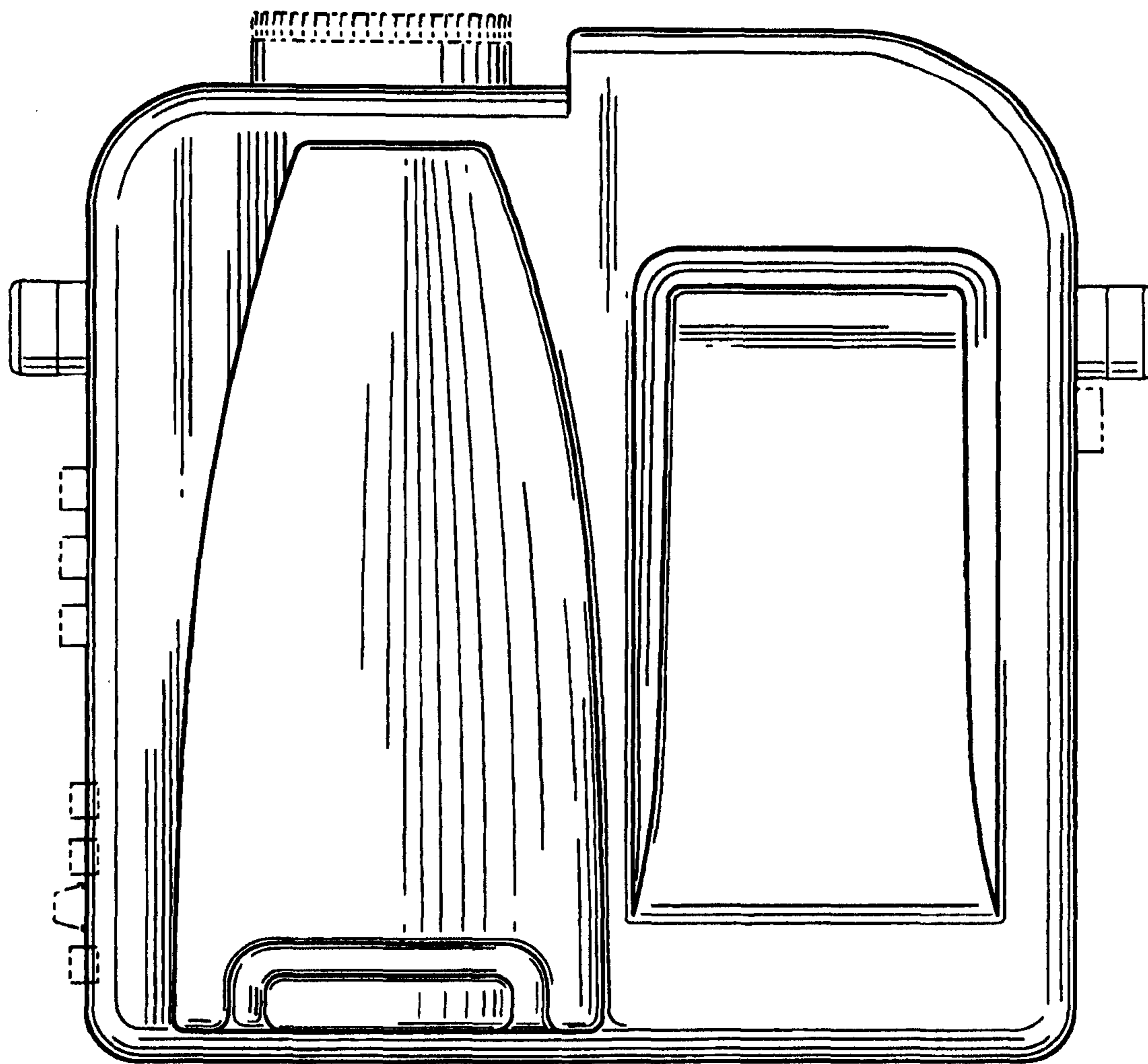


Fig. 7

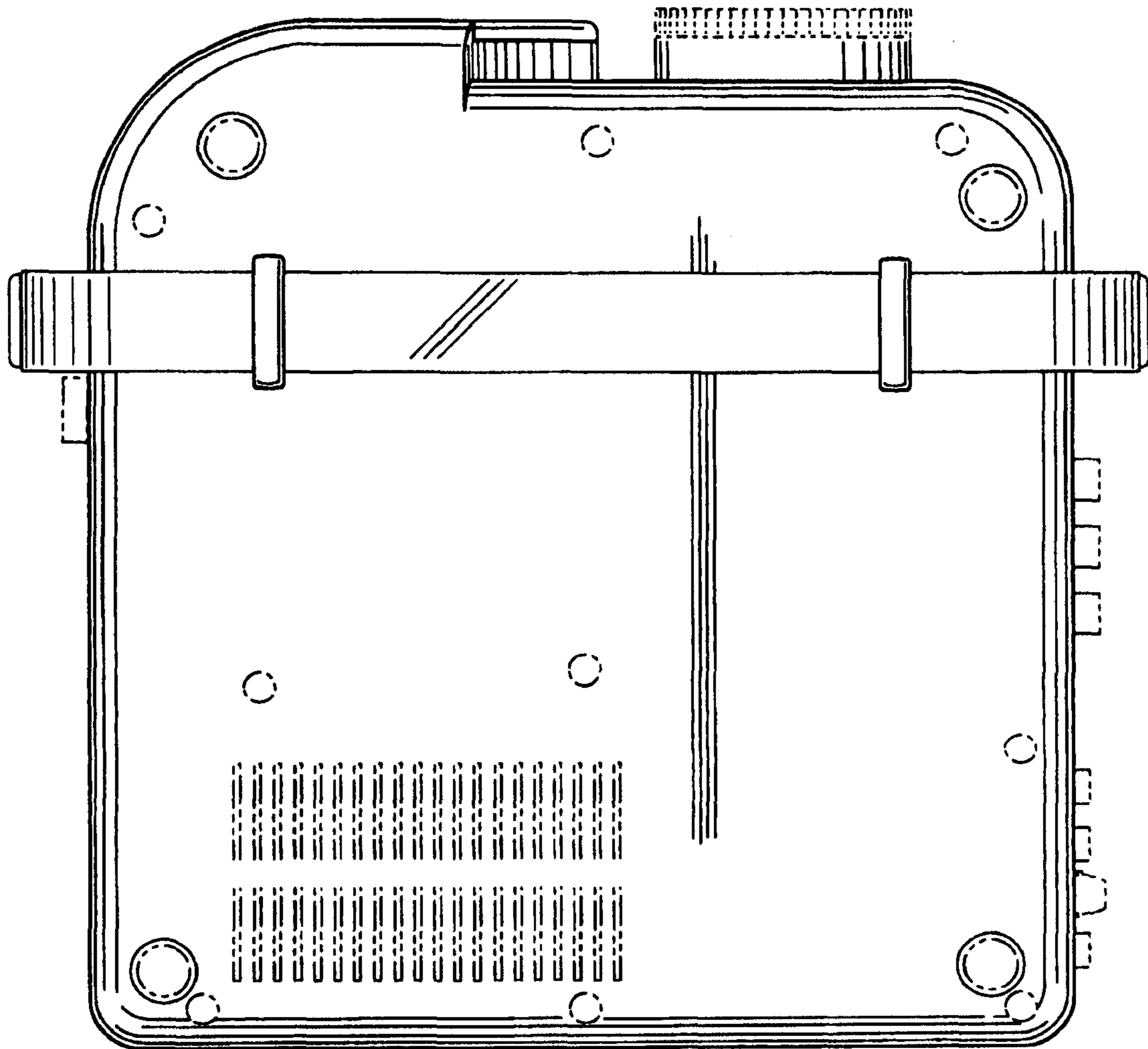


Fig. 8