

US00D605681S

(12) **United States Design Patent**
Obata

(10) **Patent No.:** **US D605,681 S**
(45) **Date of Patent:** **** Dec. 8, 2009**

- (54) **CAMERA LENS**
- (75) Inventor: **Shinichi Obata**, Tokyo (JP)
- (73) Assignee: **Sony Corporation**, Tokyo (JP)
- (**) Term: **14 Years**
- (21) Appl. No.: **29/290,428**
- (22) Filed: **Dec. 5, 2007**
- (30) **Foreign Application Priority Data**
Sep. 11, 2007 (JP) D2007-024725
- (51) **LOC (9) Cl.** **16-05**
- (52) **U.S. Cl.** **D16/219; D16/134**
- (58) **Field of Classification Search** D16/213,
D16/219, 200–206, 208, 218; 348/373–376;
358/909.1; 396/429, 540–541, 535
See application file for complete search history.

- (56) **References Cited**
U.S. PATENT DOCUMENTS
D430,888 S * 9/2000 Adachi et al. D16/203
D433,693 S 11/2000 Kobayashi
D451,116 S * 11/2001 Kono et al. D16/202
D508,712 S * 8/2005 Yatabe D16/219
D512,088 S * 11/2005 Yatabe D16/219
D537,464 S * 2/2007 Tainaka D16/219

- D538,324 S 3/2007 Masamitsu
- D539,319 S 3/2007 Masamitsu et al.
- D563,448 S * 3/2008 Yamakawa D16/202
- D569,889 S * 5/2008 Nishiwaki et al. D16/219
- D571,839 S * 6/2008 Andresen D16/202
- D576,197 S * 9/2008 Takagi D16/219

* cited by examiner
Primary Examiner—Ian Simmons
Assistant Examiner—Wan Laymon
(74) *Attorney, Agent, or Firm*—Rader, Fishman & Grauer, PLLC

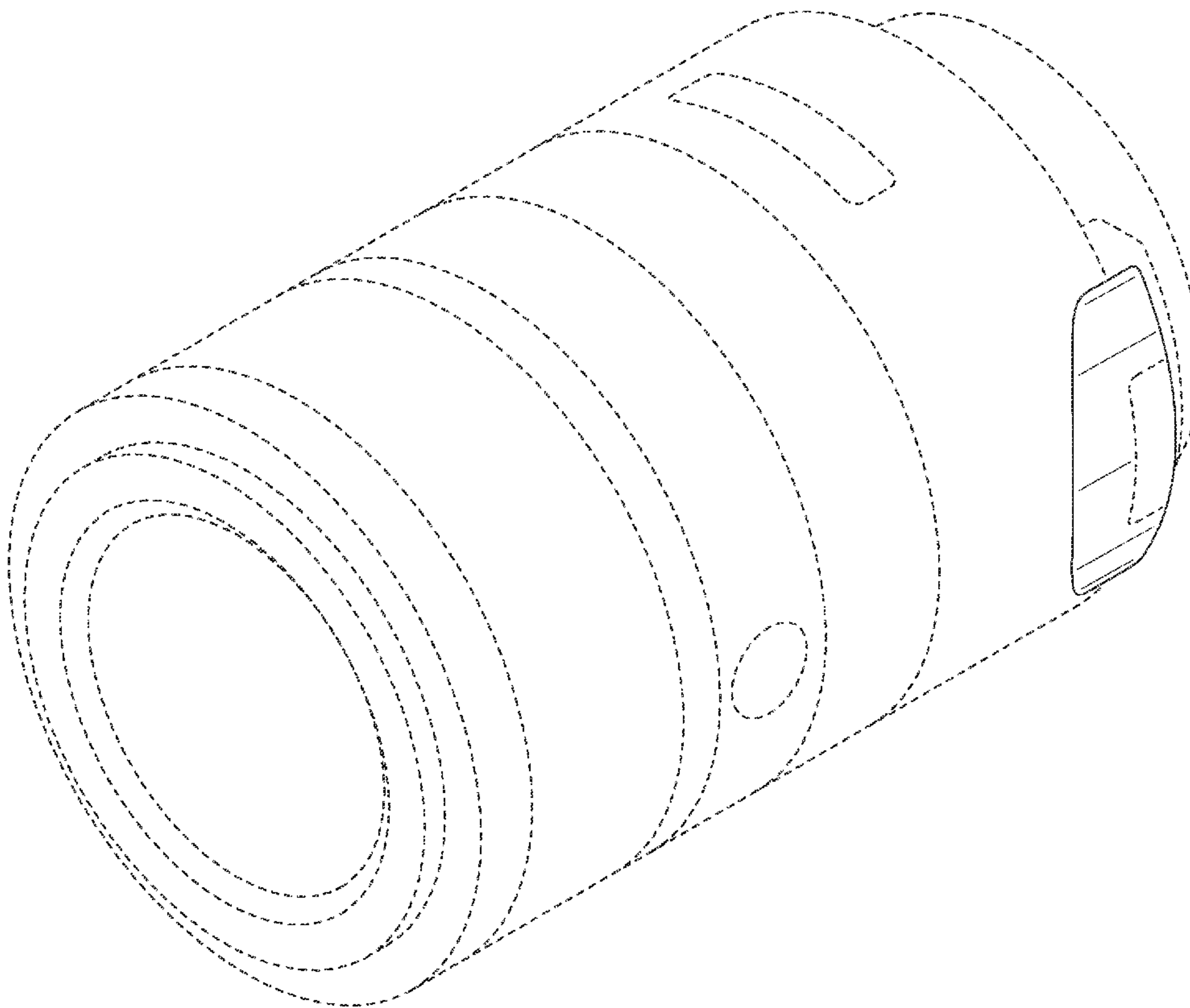
(57) **CLAIM**

The ornamental design for a camera lens, as shown and described.

DESCRIPTION

FIG. 1 is a perspective view of a camera lens showing my new design;
FIG. 2 is a rear elevational view thereof;
FIG. 3 is a right side elevational view thereof;
FIG. 4 is a top plan view thereof; and,
FIG. 5 is a bottom plan view thereof.
The portions indicated in broken lines are for illustrative purposes only and form no part of the claimed design.

1 Claim, 5 Drawing Sheets



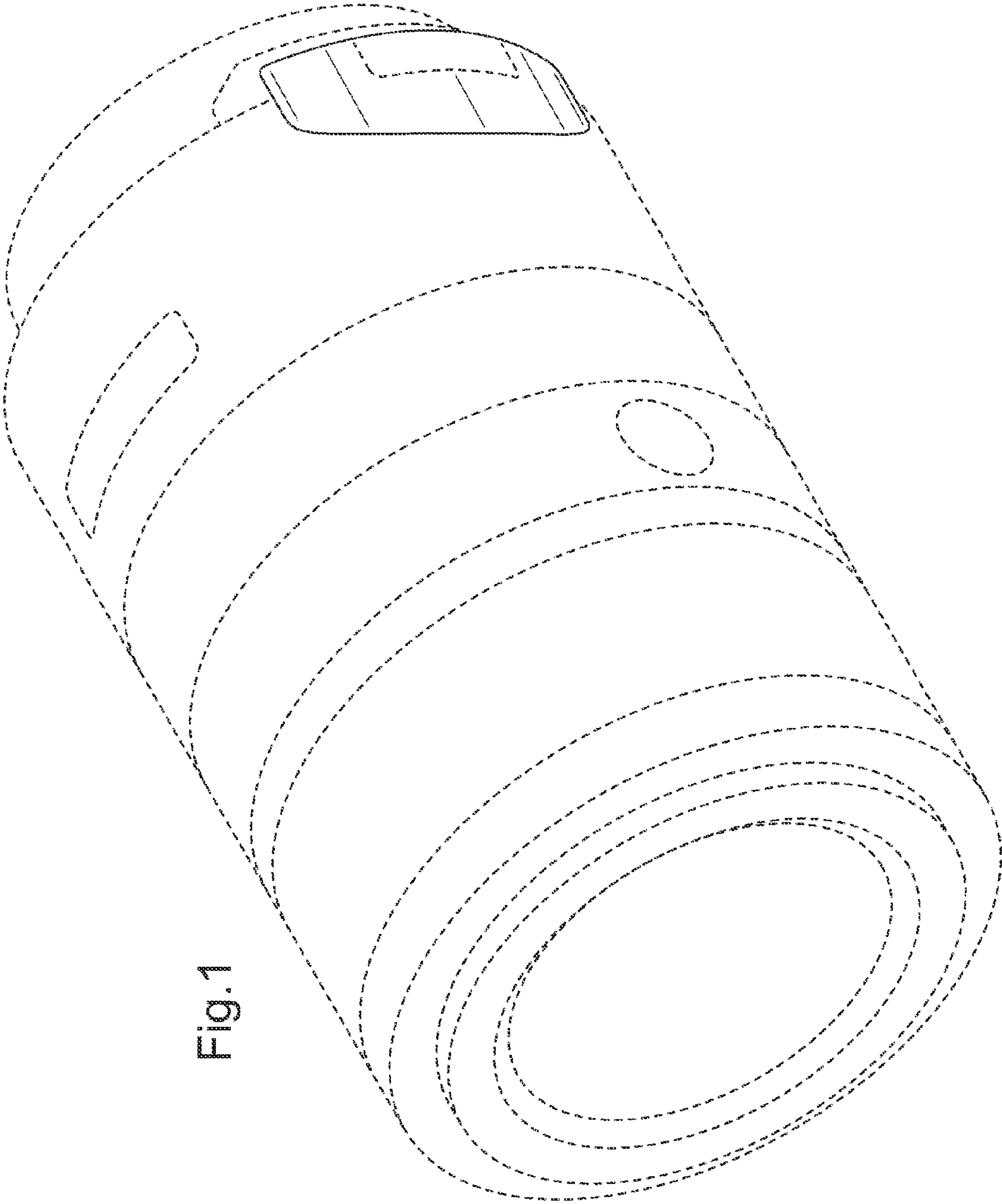
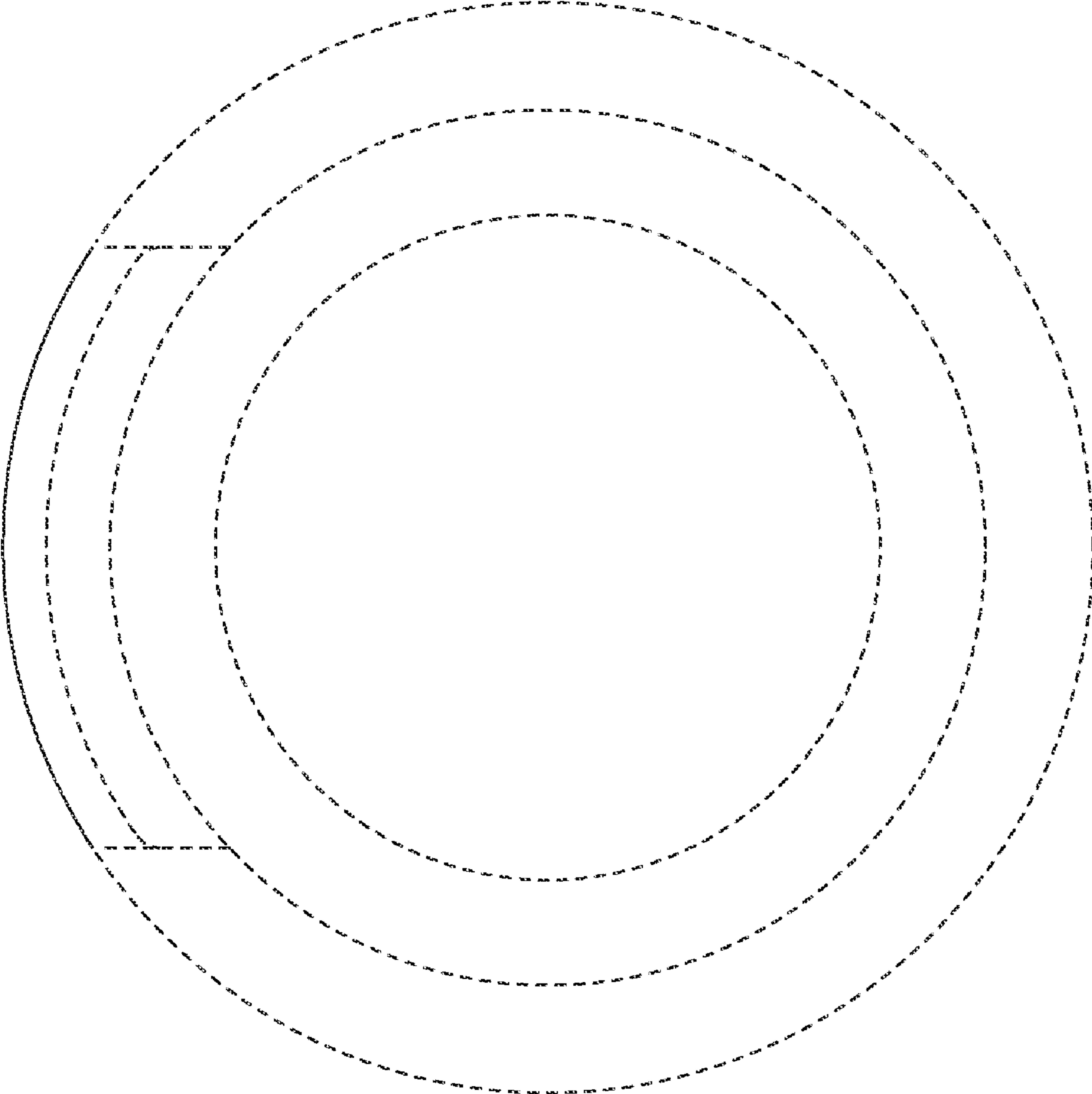


Fig. 1

Fig.2



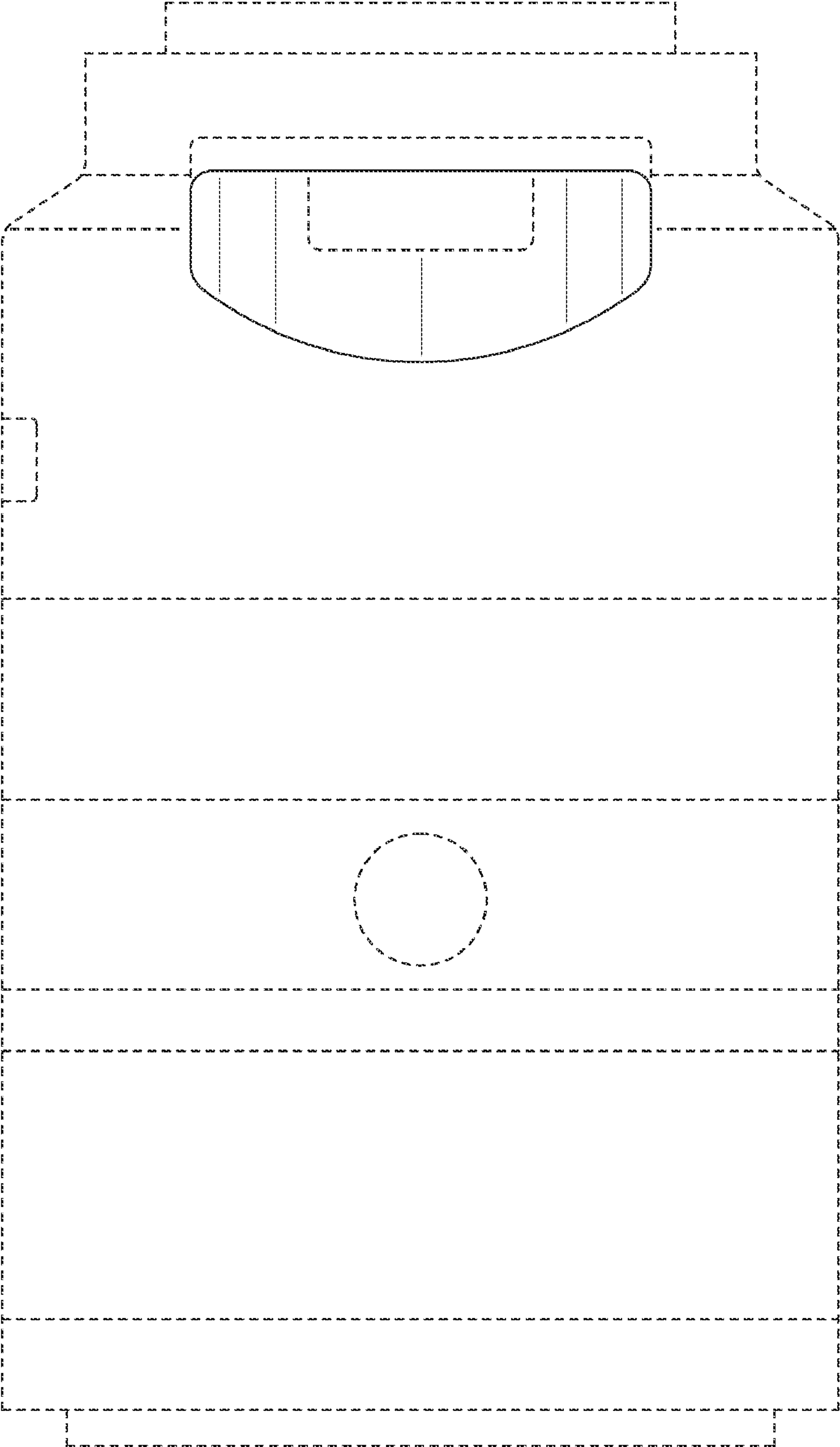


Fig. 3

Fig.4

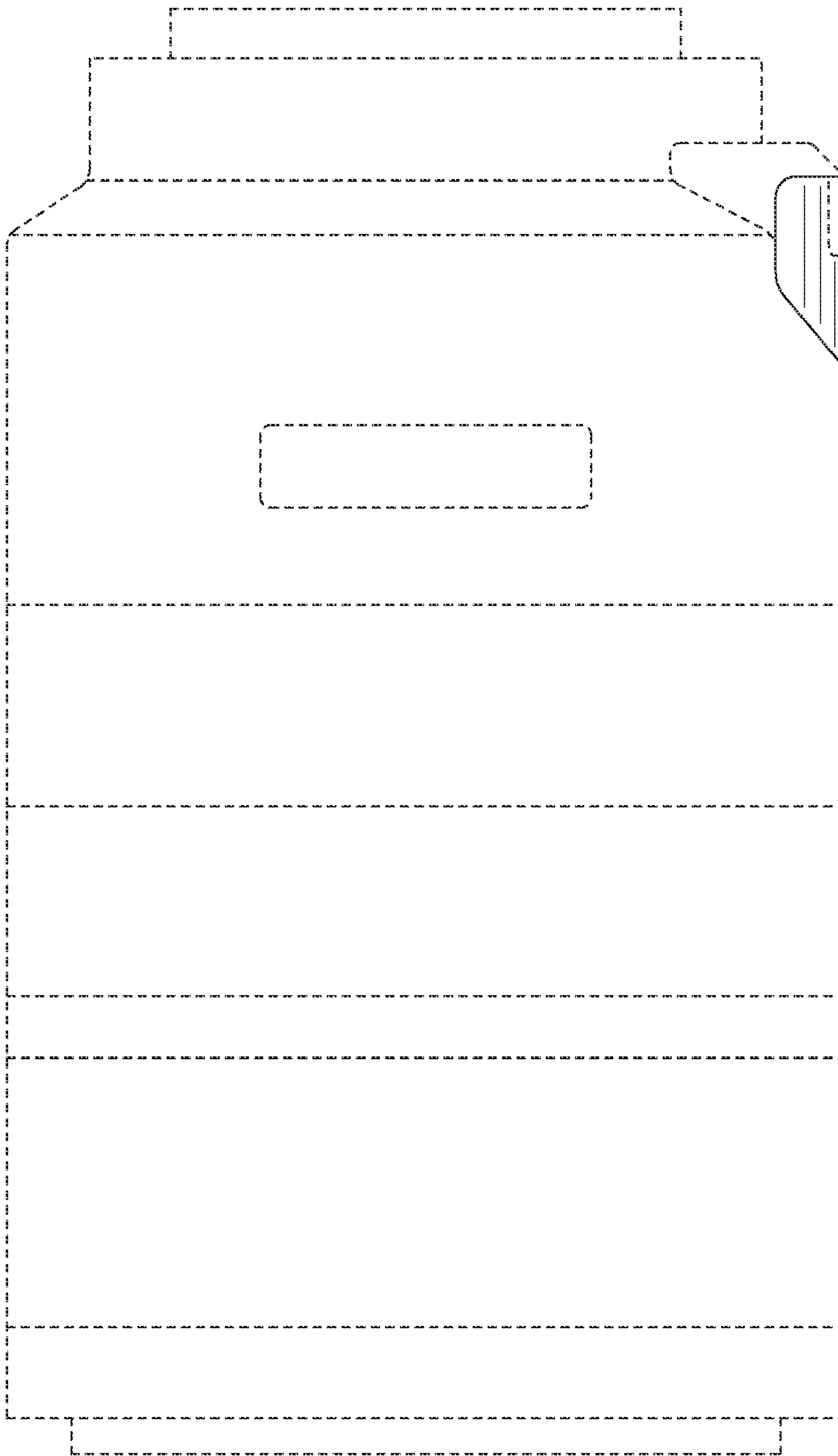


Fig. 5

