



US00D605680S

(12) **United States Design Patent**
Okada

(10) **Patent No.:** **US D605,680 S**
(45) **Date of Patent:** **** Dec. 8, 2009**

(54) **CAMERA MODULE**

(75) Inventor: **Hiroshi Okada**, Setagaya-ku (JP)

(73) Assignee: **Kyocera Corporation**, Kyoto (JP)

(**) Term: **14 Years**

(21) Appl. No.: **29/322,961**

(22) Filed: **Aug. 14, 2008**

(30) **Foreign Application Priority Data**

Feb. 18, 2008 (JP) 2008-003415

(51) **LOC (9) Cl.** **16-01**

(52) **U.S. Cl.** **D16/218**

(58) **Field of Classification Search** D16/200–205,
D16/208, 209, 213, 218; 348/373–376; 358/909.1;
396/535–541

See application file for complete search history.

(56) **References Cited**

U.S. PATENT DOCUMENTS

3,418,909 A * 12/1968 Rabinow D16/218
D449,628 S * 10/2001 Obata et al. D16/202
D487,104 S * 2/2004 Obata D16/202
D489,743 S * 5/2004 Owada D16/203

D506,215 S * 6/2005 Lin et al. D16/218
D535,676 S * 1/2007 Dayan D16/218
D559,882 S * 1/2008 Nakamura D16/218
7,330,649 B2 * 2/2008 Finizio et al. 396/535
D566,148 S * 4/2008 Akita D16/202

* cited by examiner

Primary Examiner—Adir Aronovich

(74) *Attorney, Agent, or Firm*—Hogan & Hartson LLP

(57) **CLAIM**

The ornamental design for a camera module, as shown and described.

DESCRIPTION

FIG. 1 is a perspective view of the top, front and right side of a camera module showing my new design;

FIG. 2 is a front elevational view thereof;

FIG. 3 is a rear elevational view thereof;

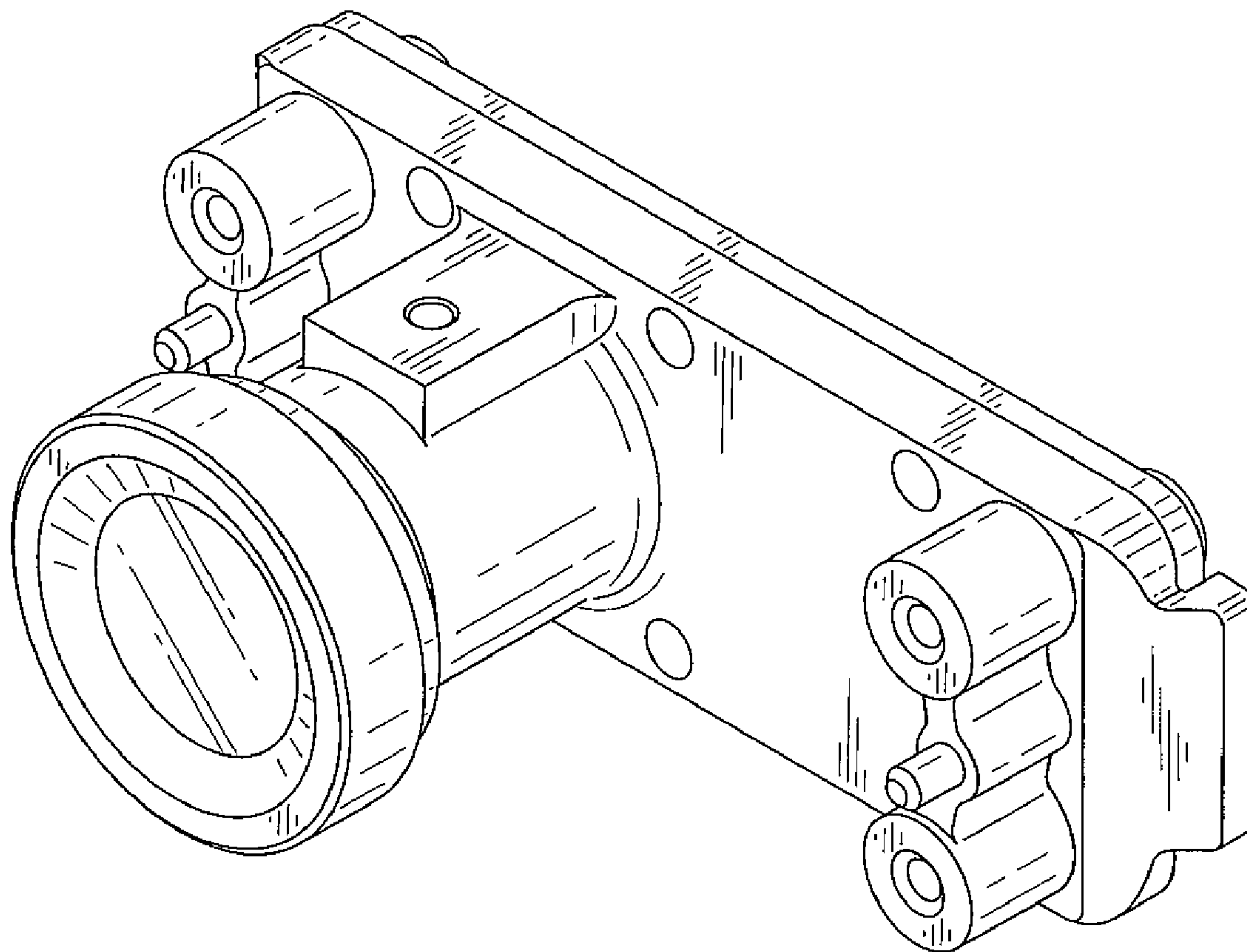
FIG. 4 is a top plan view thereof;

FIG. 5 is a bottom plan view thereof;

FIG. 6 is a left side elevational view thereof; and,

FIG. 7 is a right side elevational view thereof.

1 Claim, 4 Drawing Sheets



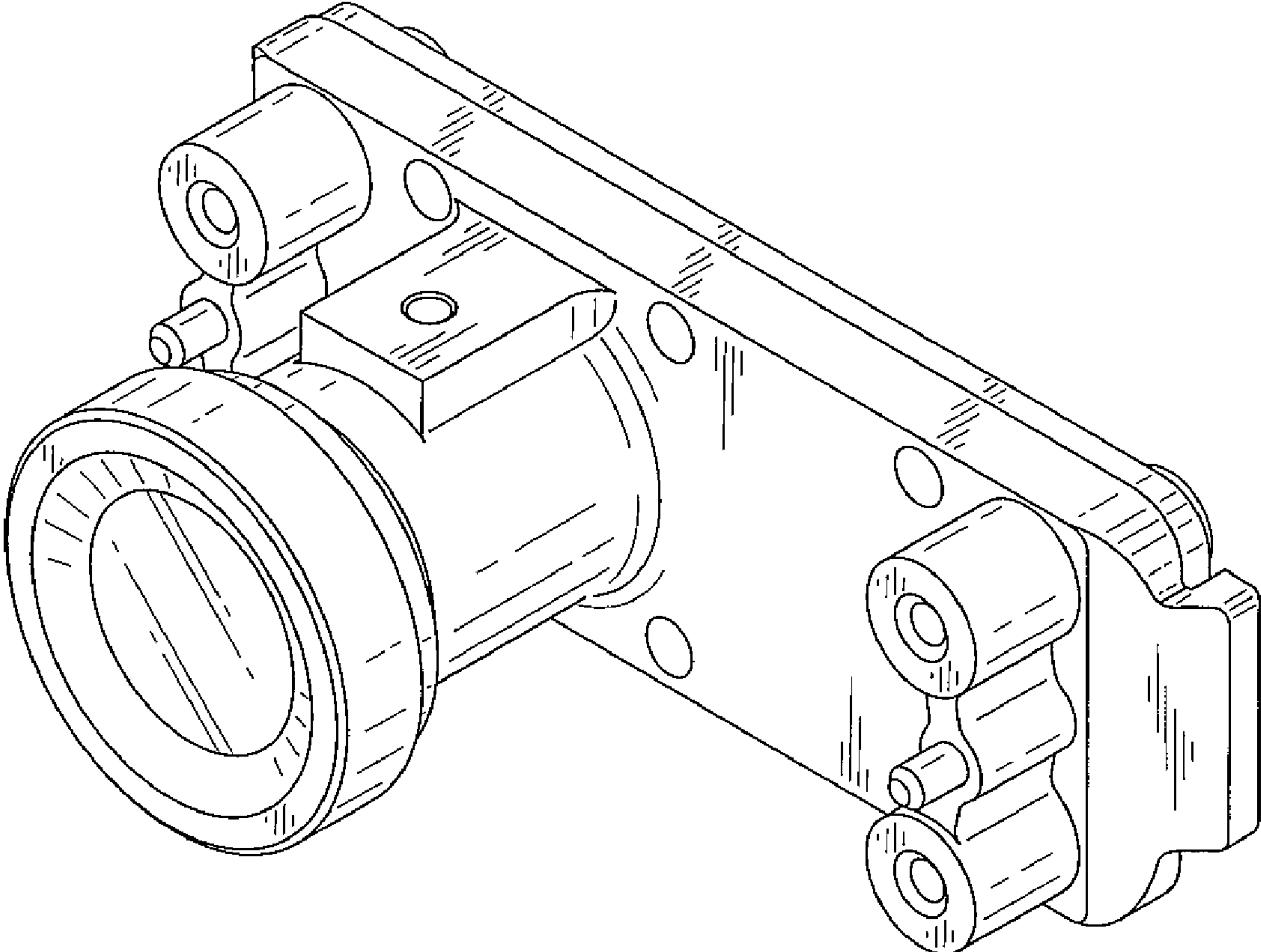


FIG. 1

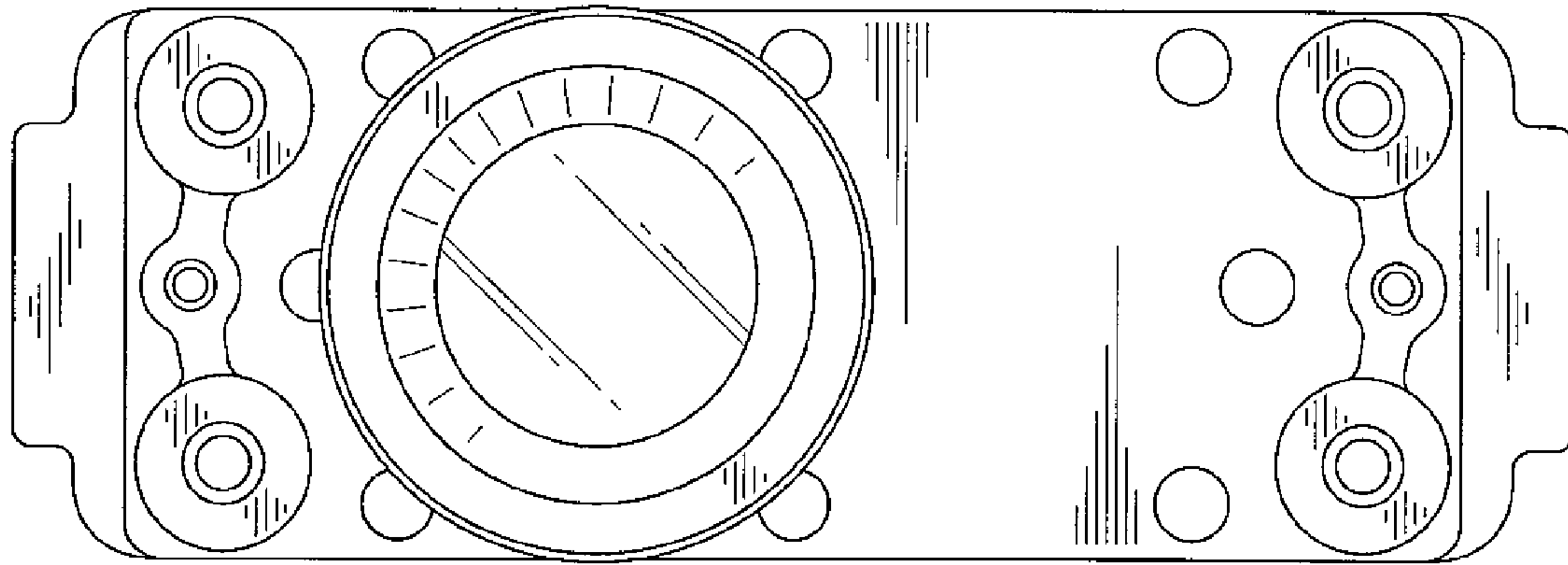


FIG. 2

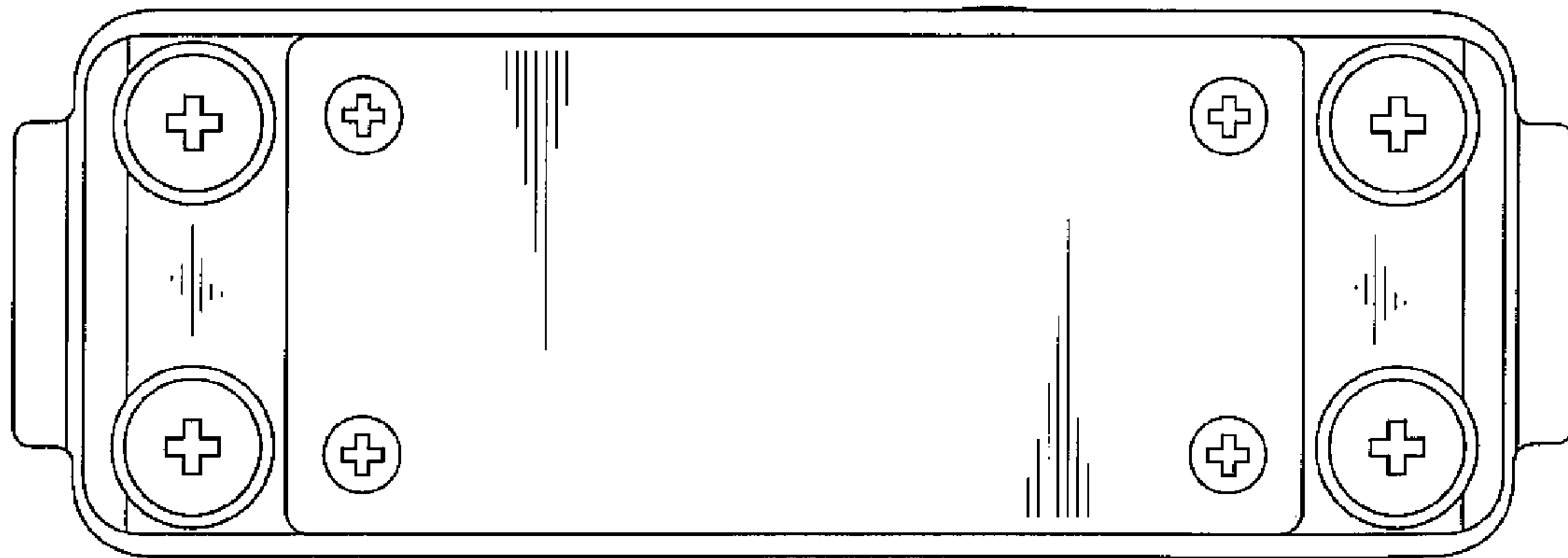


FIG. 3

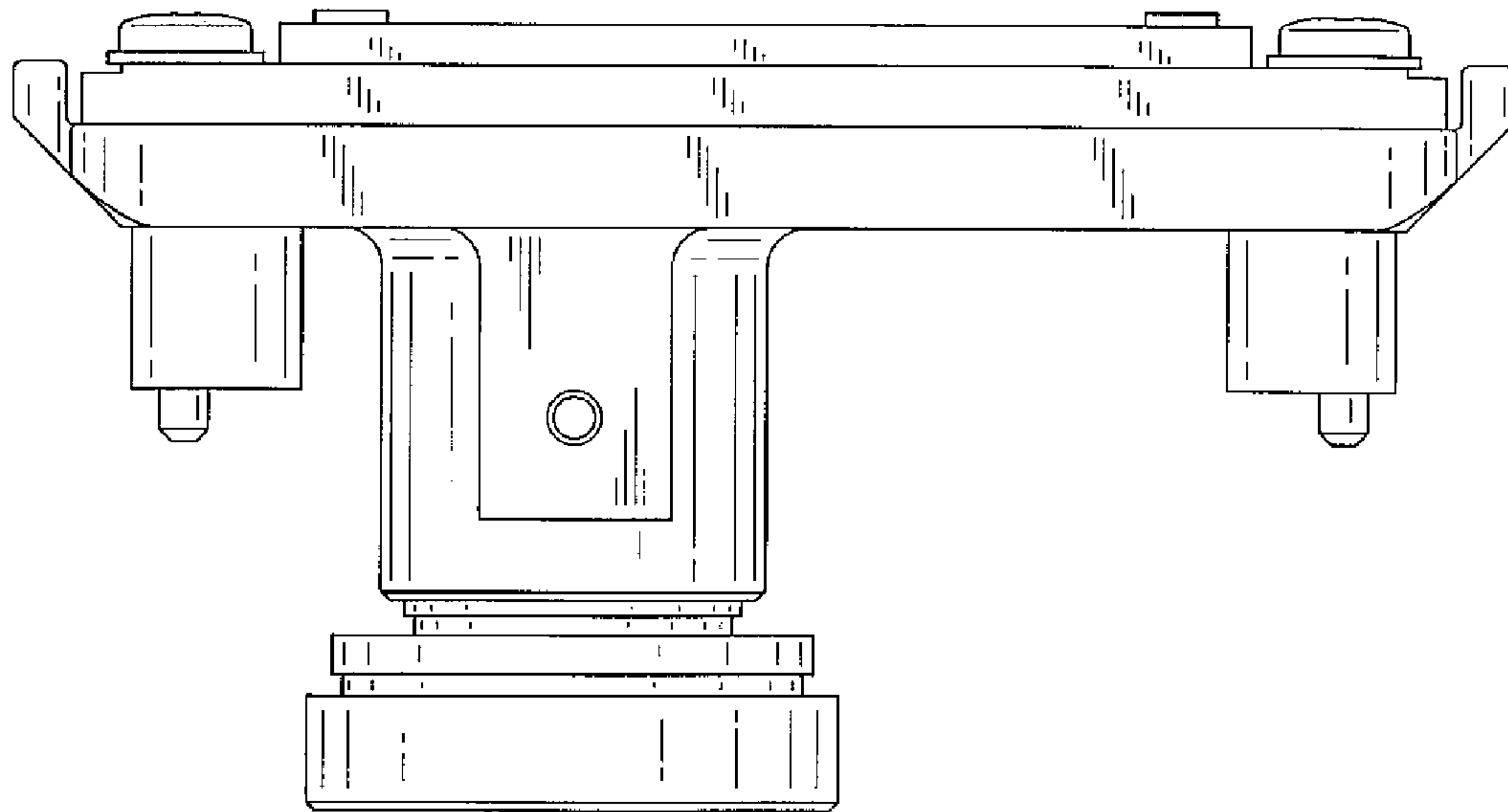


FIG. 4

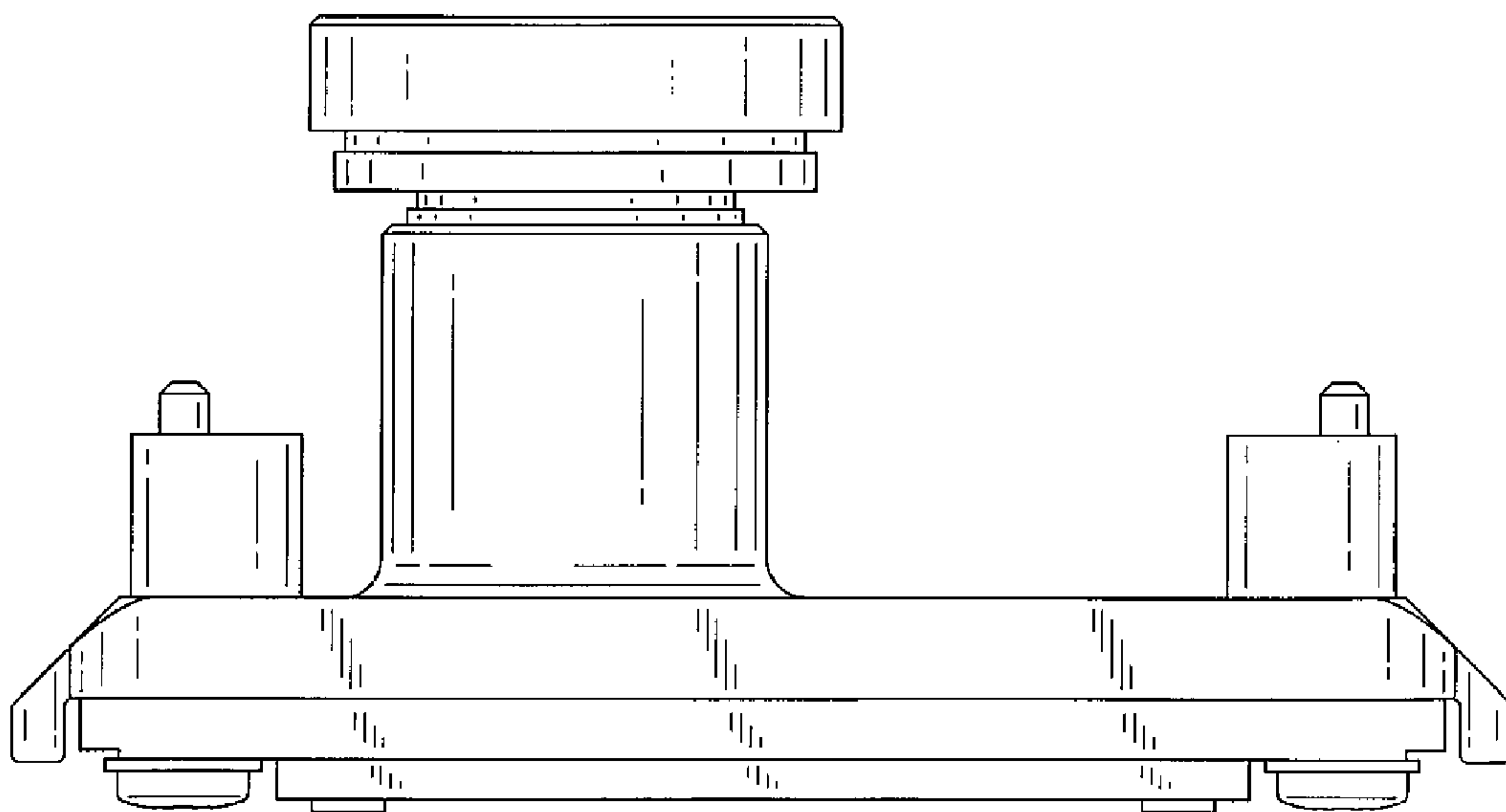


FIG. 5

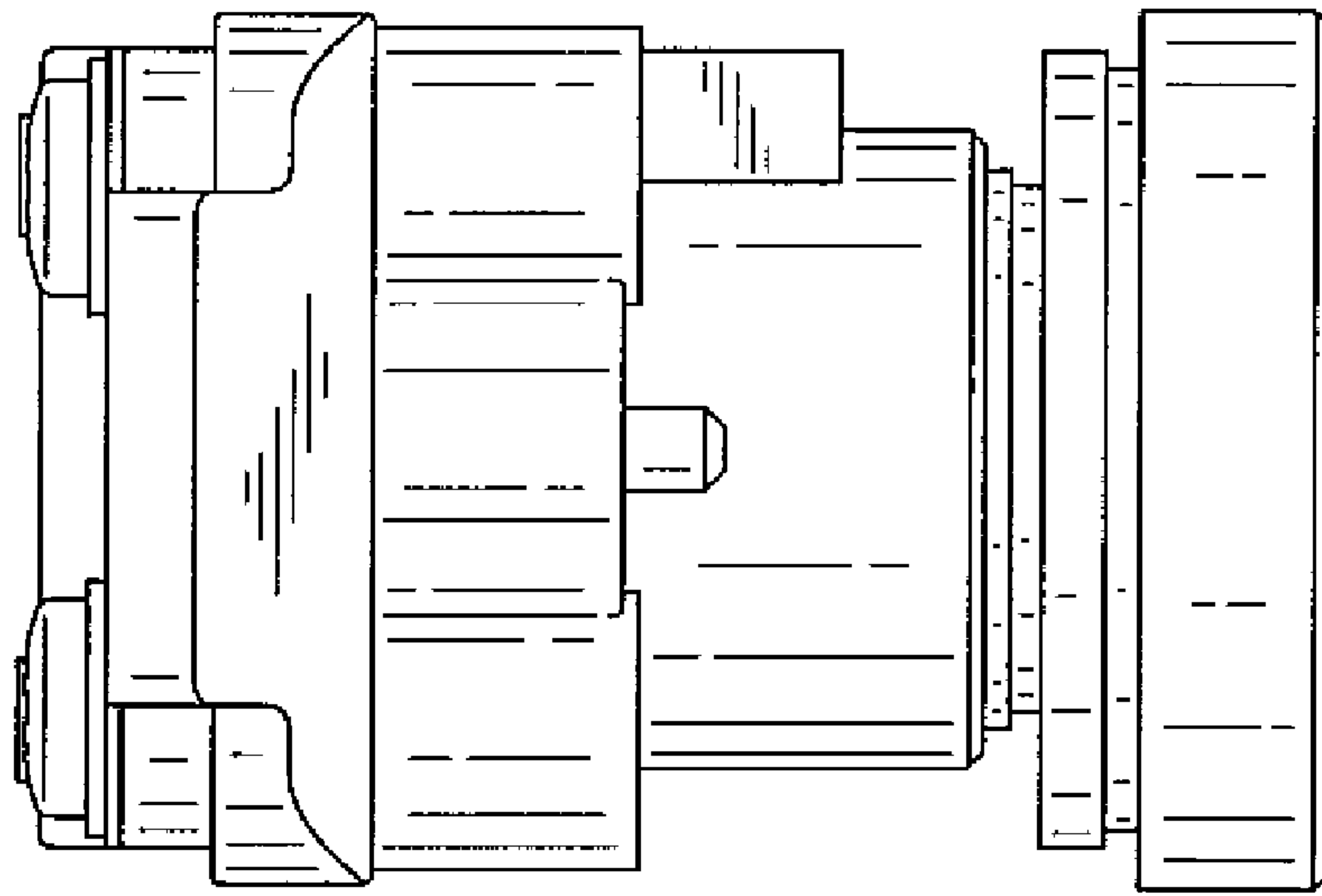


FIG. 6

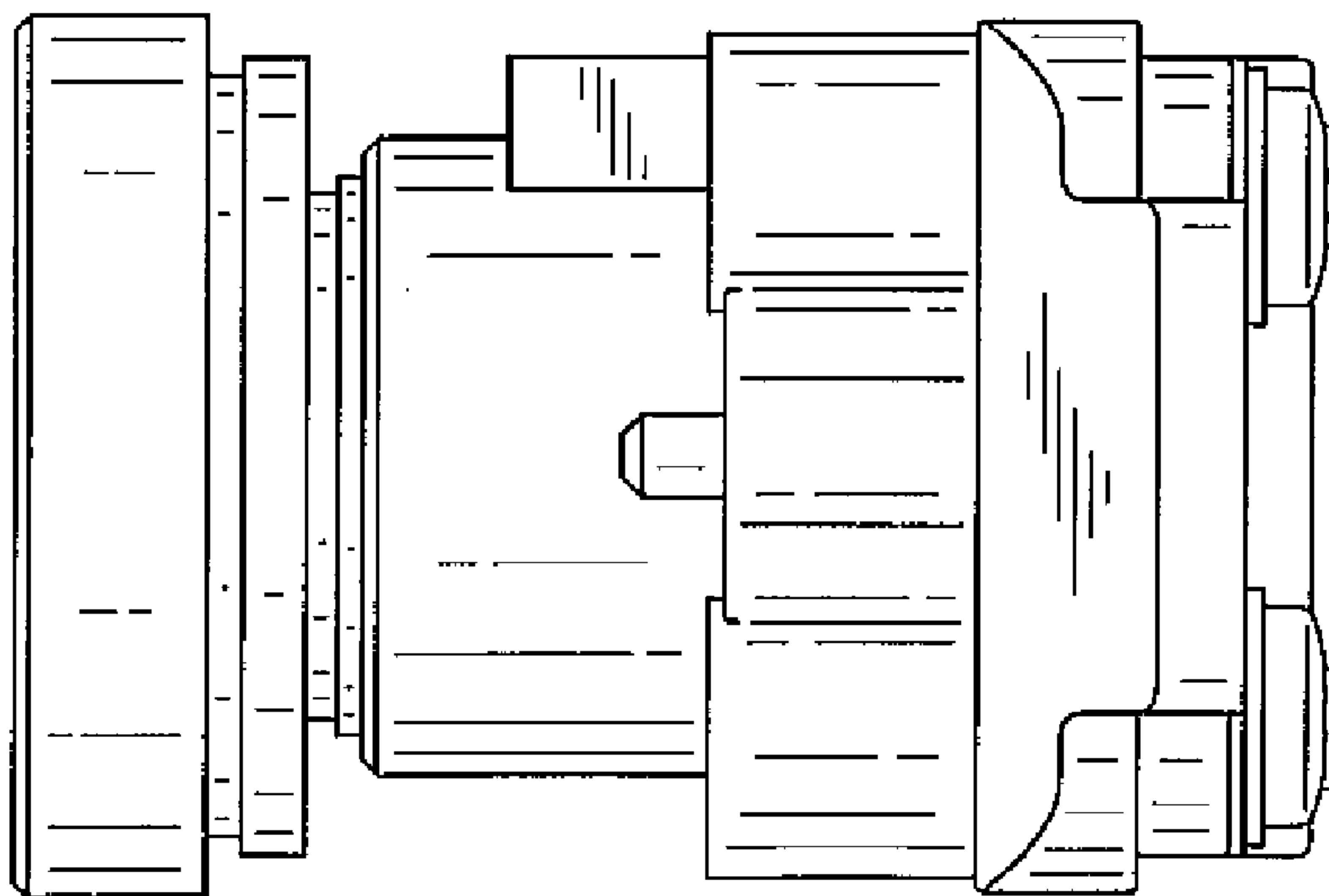


FIG. 7