



US00D605678S

(12) **United States Design Patent**  
**Shimobayashi**

(10) **Patent No.:** **US D605,678 S**

(45) **Date of Patent:** **\*\* Dec. 8, 2009**

(54) **DIGITAL CAMERA**

(75) Inventor: **Koji Shimobayashi**, Hachioji (JP)

(73) Assignee: **Olympus Imaging Corp.**, Tokyo (JP)

(\*\*) Term: **14 Years**

(21) Appl. No.: **29/331,478**

(22) Filed: **Jan. 27, 2009**

(30) **Foreign Application Priority Data**

Dec. 26, 2008 (JP) ..... 2008-033295

(51) **LOC (9) Cl.** ..... **16-01**

(52) **U.S. Cl.** ..... **D16/202**

(58) **Field of Classification Search** ..... D16/200–204,  
D16/208, 218; 348/373–376; 358/909.1;  
396/535–541

See application file for complete search history.

(56) **References Cited**

**U.S. PATENT DOCUMENTS**

D565,619 S \* 4/2008 Nasu ..... D16/202  
D573,168 S \* 7/2008 Tajima ..... D16/202  
D576,650 S \* 9/2008 Shibata et al. .... D16/202  
D577,755 S \* 9/2008 Fujii ..... D16/202

D591,781 S \* 5/2009 Matsuda ..... D16/202  
D593,143 S \* 5/2009 Kuroda ..... D16/202  
D597,116 S \* 7/2009 Watanabe ..... D16/202  
2007/0212062 A1 \* 9/2007 Saiki et al. .... 396/535

\* cited by examiner

*Primary Examiner*—Adir Aronovich

(74) *Attorney, Agent, or Firm*—Frishauf, Holtz, Goodman & Chick, P.C.

(57) **CLAIM**

The ornamental design for a digital camera, as shown and described.

**DESCRIPTION**

FIG. 1 is a front perspective view of a digital camera, showing my new design;

FIG. 2 is a rear perspective view thereof;

FIG. 3 is a front elevational view thereof;

FIG. 4 is a rear elevational view thereof;

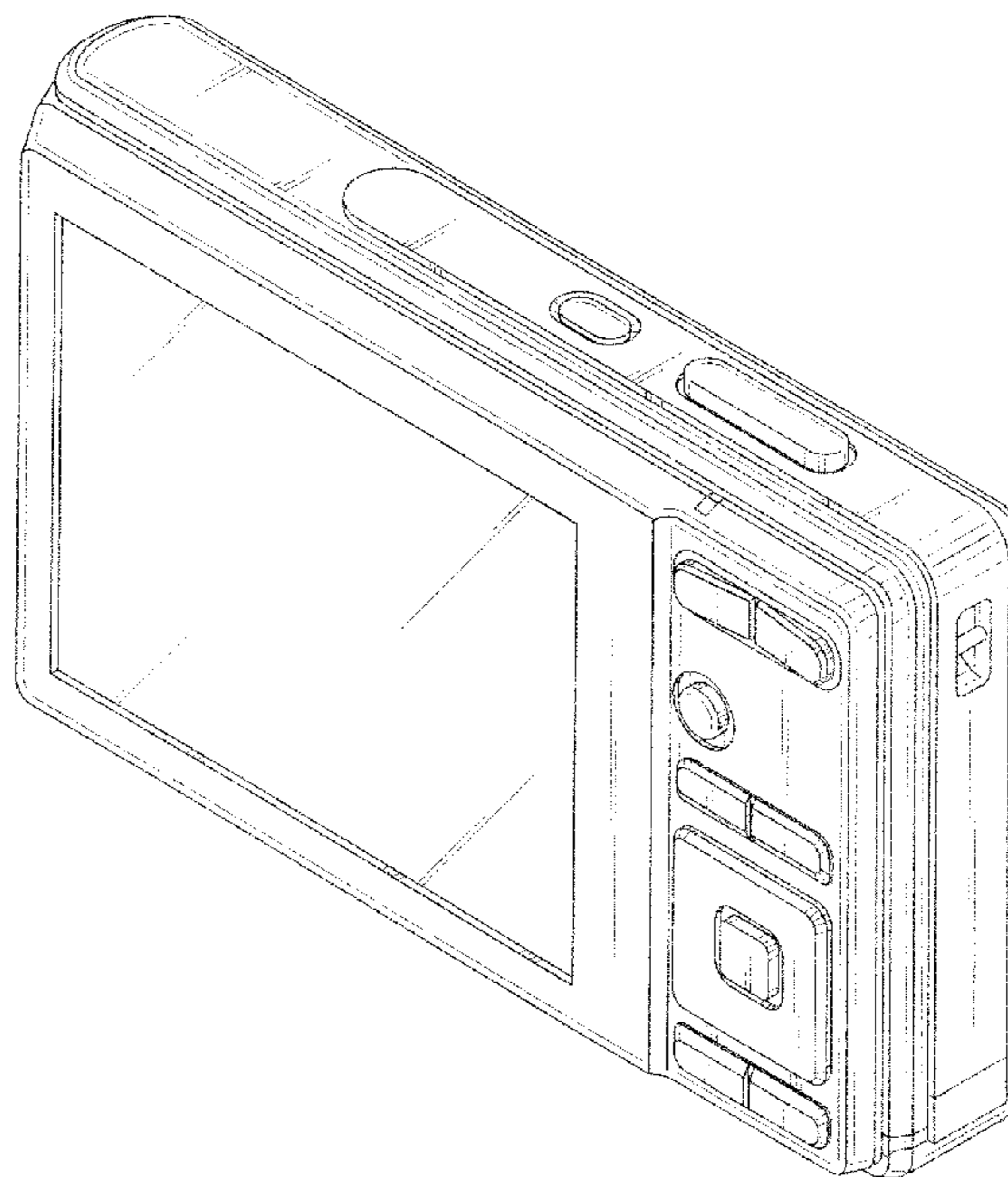
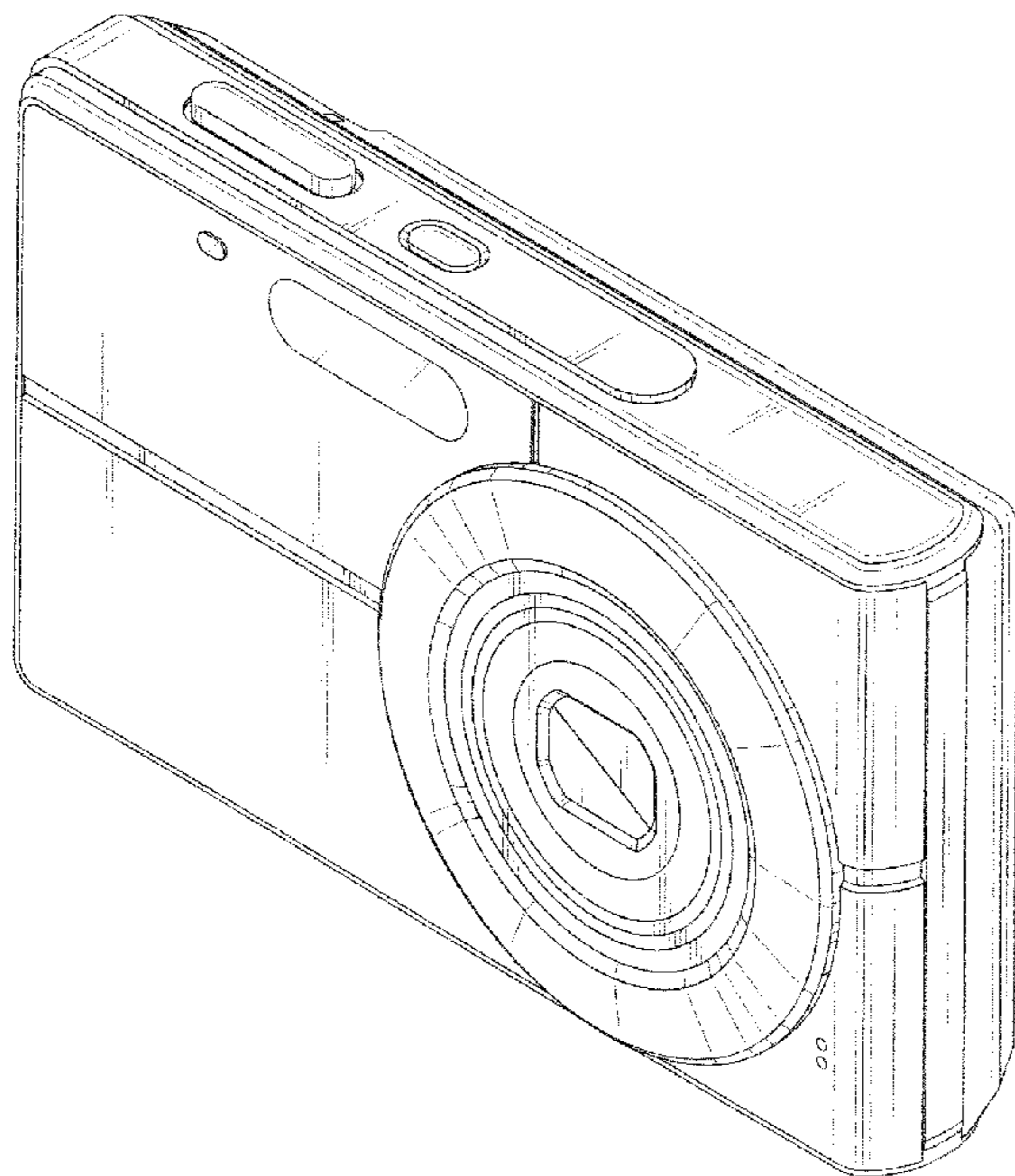
FIG. 5 is a top plan view thereof;

FIG. 6 is a bottom plan view thereof;

FIG. 7 is a left side elevational view thereof; and,

FIG. 8 is a right side elevational view thereof.

**1 Claim, 6 Drawing Sheets**



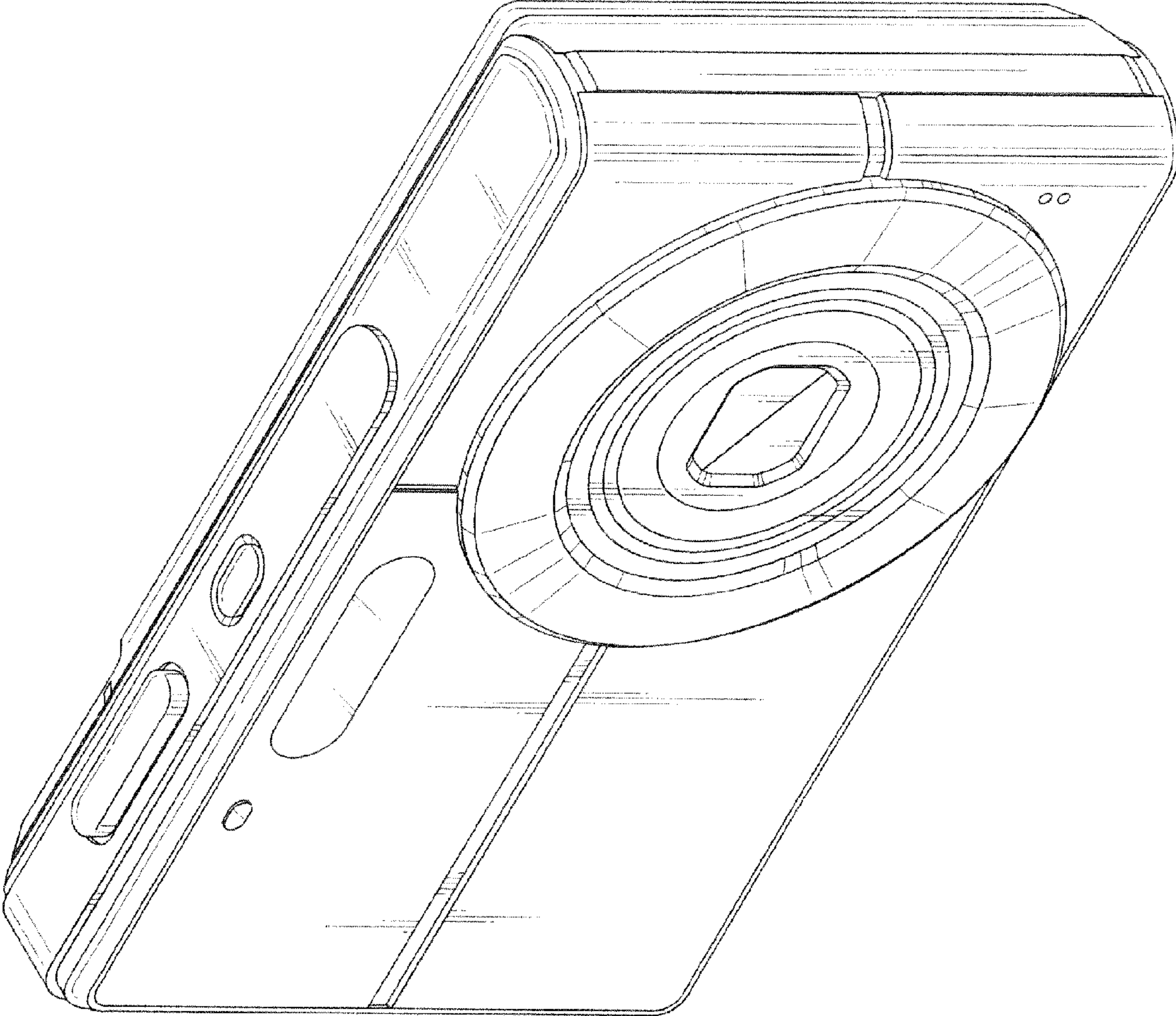


FIG.1

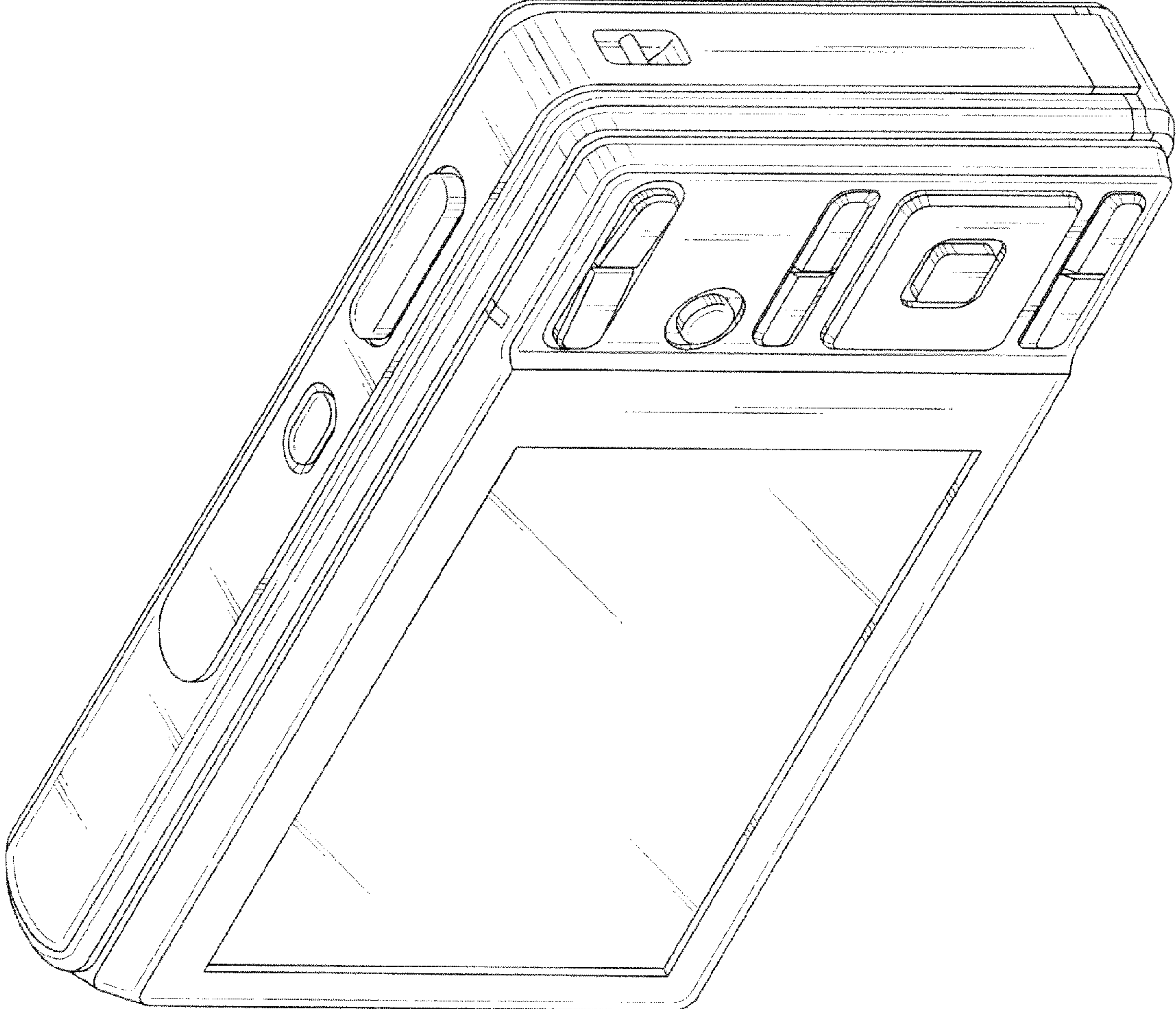


FIG.2

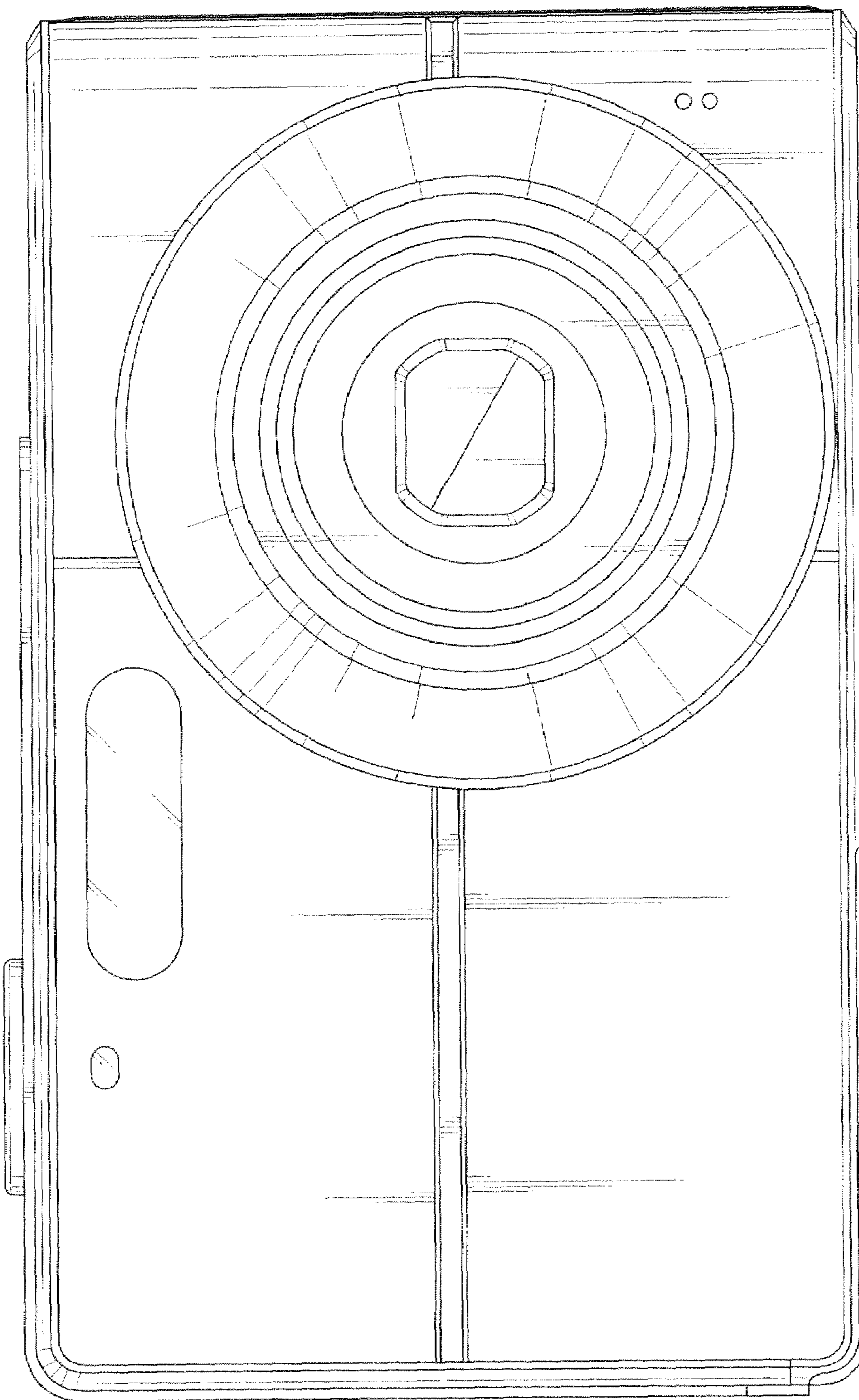


FIG.3

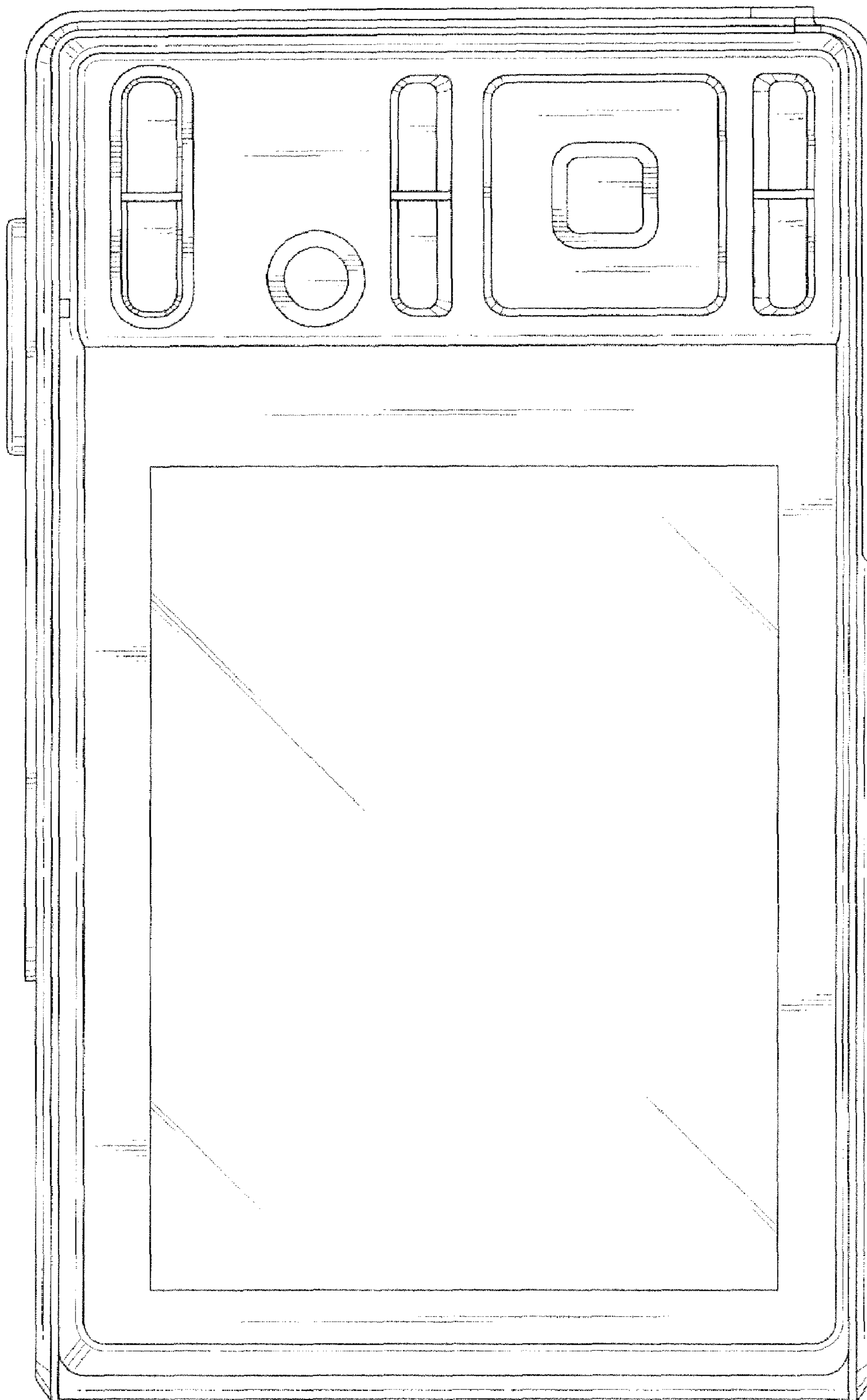


FIG.4

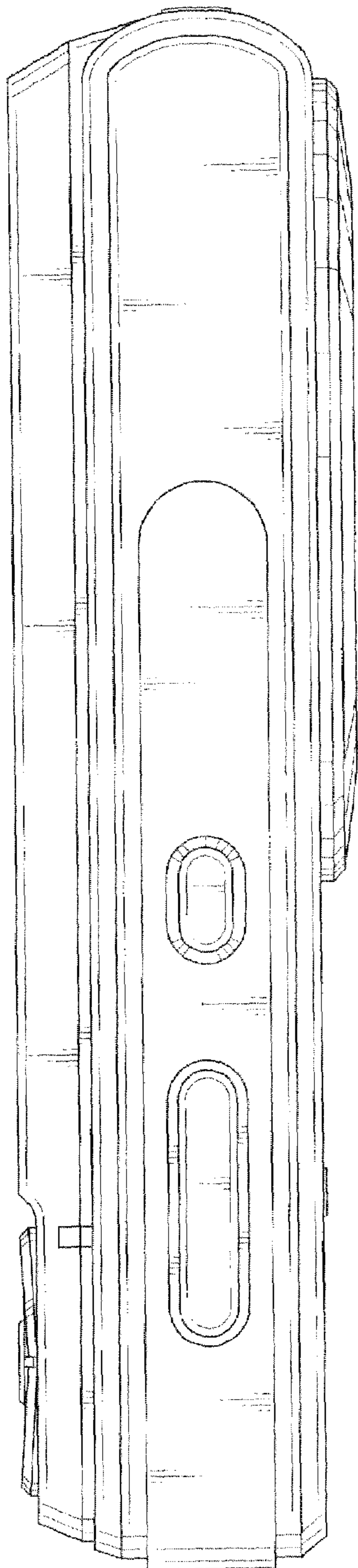


FIG. 5

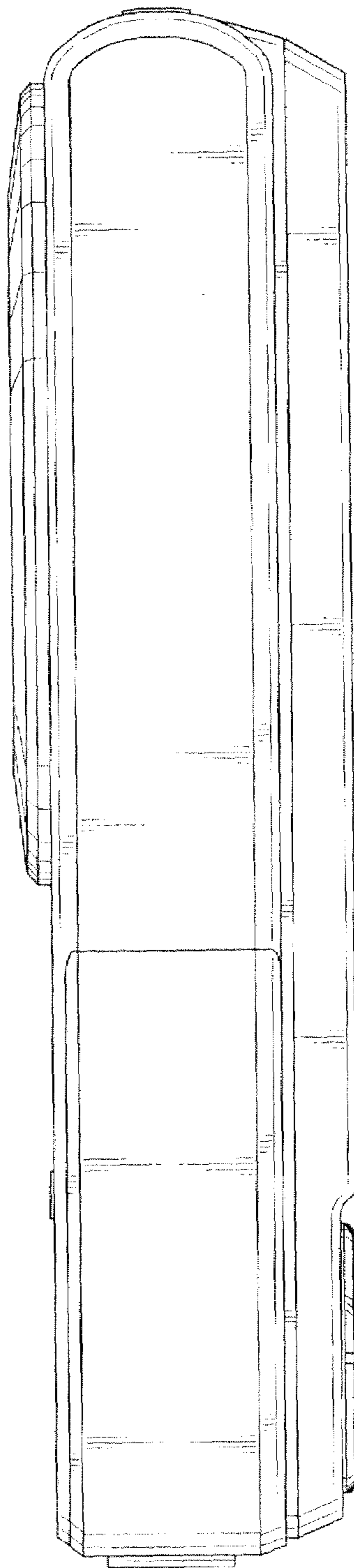


FIG. 6

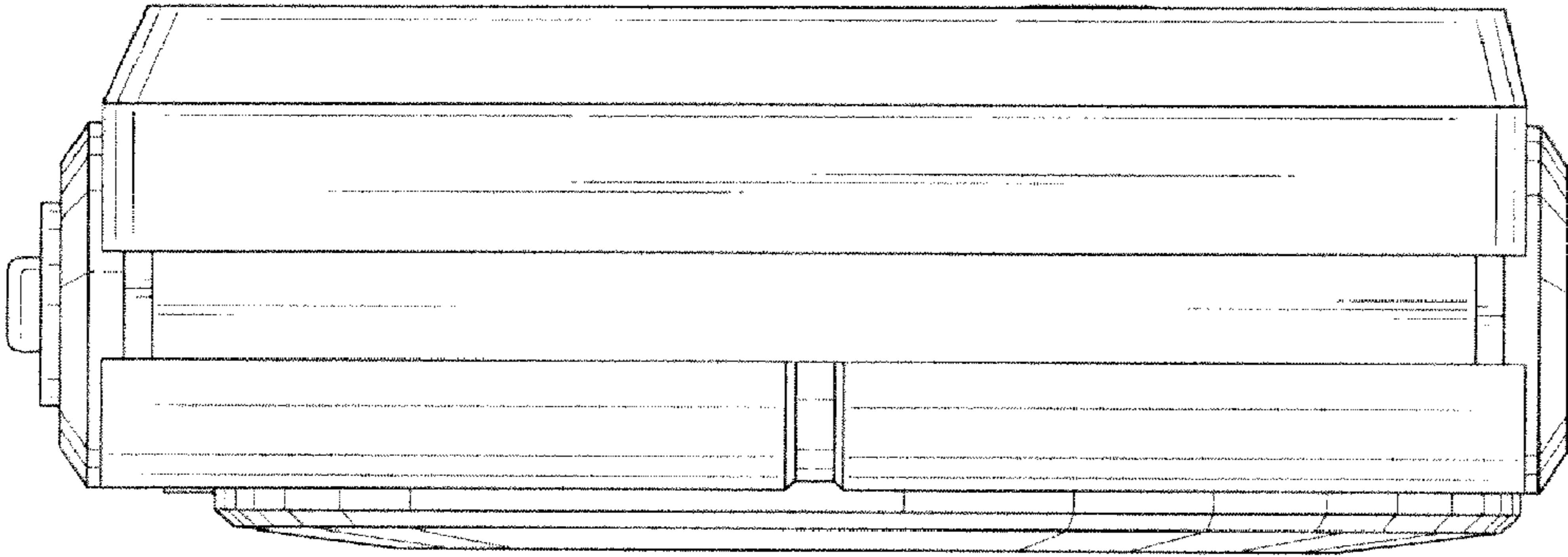


FIG. 8

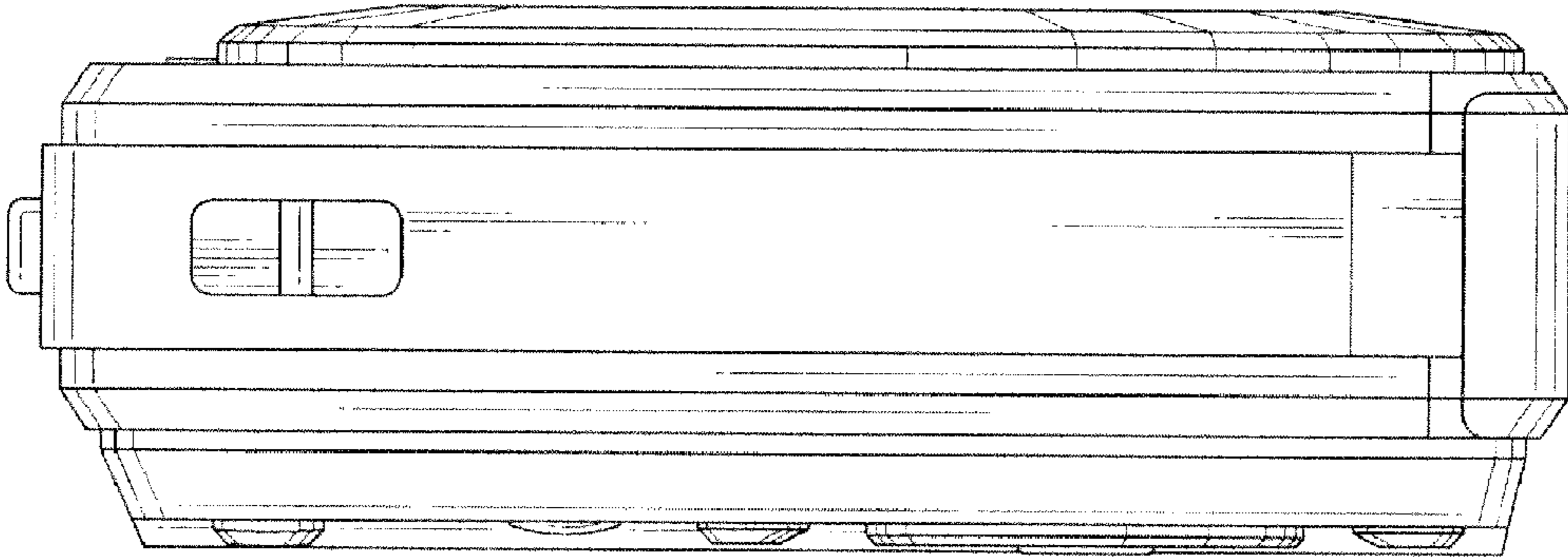


FIG. 7