



US00D605675S

(12) **United States Design Patent**  
**Sakaguchi et al.**

(10) **Patent No.:** **US D605,675 S**

(45) **Date of Patent:** **\*\* Dec. 8, 2009**

(54) **DIGITAL CAMERA**

(75) Inventors: **Kazuhito Sakaguchi**, Atsugi (JP);  
**Yosuke Nagayama**, Tokyo (JP)

(73) Assignee: **Casio Keisanki Kabushiki Kaisha**,  
Tokyo (JP)

(\*\*) Term: **14 Years**

(21) Appl. No.: **29/327,246**

(22) Filed: **Nov. 3, 2008**

(30) **Foreign Application Priority Data**

Oct. 10, 2008 (JP) ..... 2008-026177

(51) **LOC (9) Cl.** ..... **16-01**

(52) **U.S. Cl.** ..... **D16/202**

(58) **Field of Classification Search** ..... D16/200–204,  
D16/208, 218; 348/373–376; 358/909.1;  
396/535–541

See application file for complete search history.

(56) **References Cited**

**U.S. PATENT DOCUMENTS**

D548,256 S \* 8/2007 Hase et al. .... D16/202  
D561,219 S \* 2/2008 Nagayama et al. .... D16/202  
D566,153 S \* 4/2008 Katsuraku ..... D16/202

D568,360 S \* 5/2008 Hayashi ..... D16/202  
D570,889 S \* 6/2008 Nakajima ..... D16/202  
D576,191 S \* 9/2008 Shimobayashi ..... D16/202  
D576,650 S \* 9/2008 Shibata et al. .... D16/202  
D585,084 S \* 1/2009 Yamamoto et al. .... D16/202  
D597,116 S \* 7/2009 Watanabe ..... D16/202  
2007/0212062 A1 \* 9/2007 Saiki et al. .... 396/535

\* cited by examiner

*Primary Examiner*—Adir Aronovich

(74) *Attorney, Agent, or Firm*—Frishauf, Holtz, Goodman &  
Chick, P.C.

(57) **CLAIM**

The ornamental design for a digital camera, as shown.

**DESCRIPTION**

FIG. 1 is a front, left side, top perspective view of a digital camera showing our new design;

FIG. 2 is a front elevational view thereof;

FIG. 3 is a rear elevational view thereof;

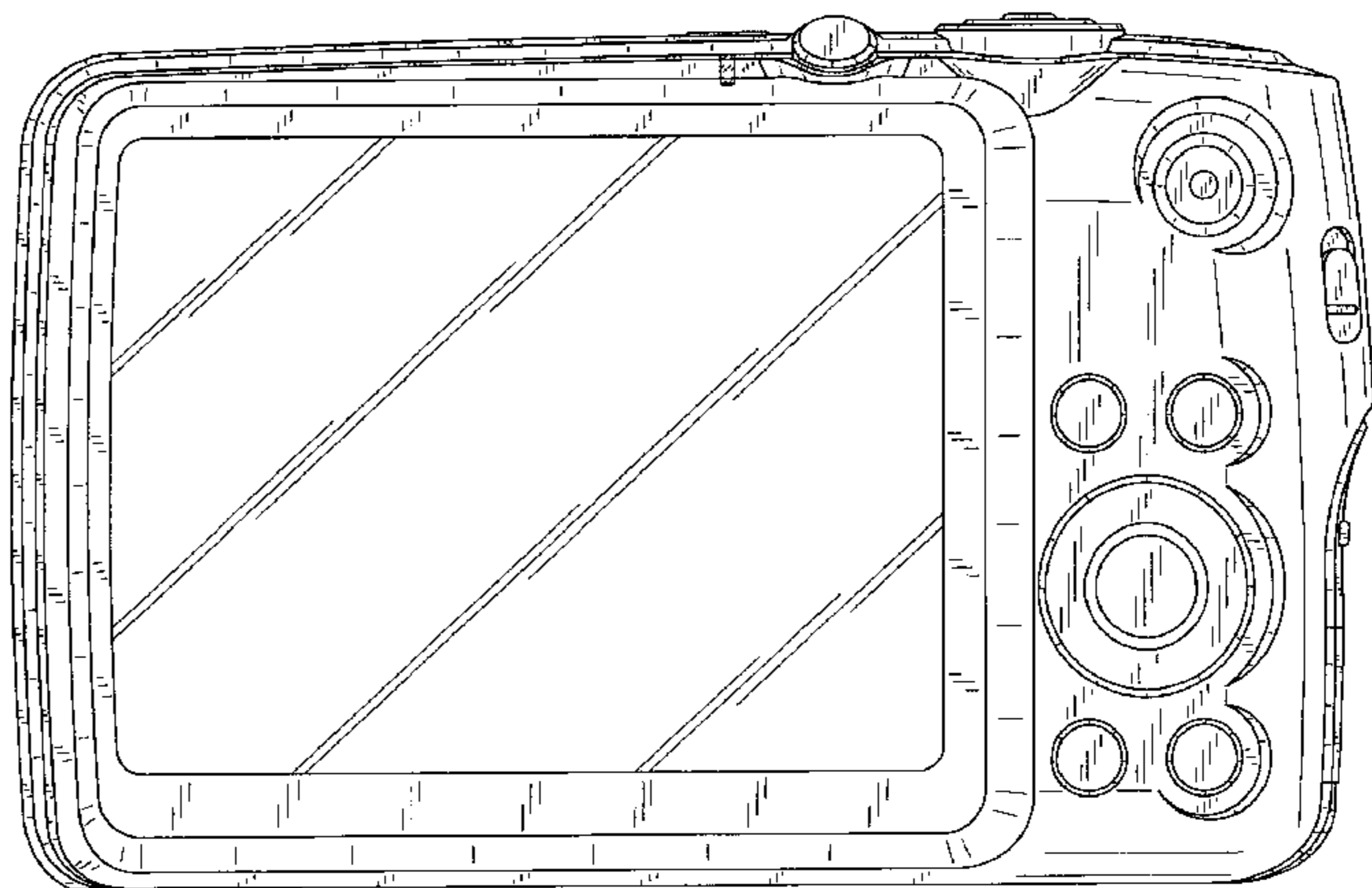
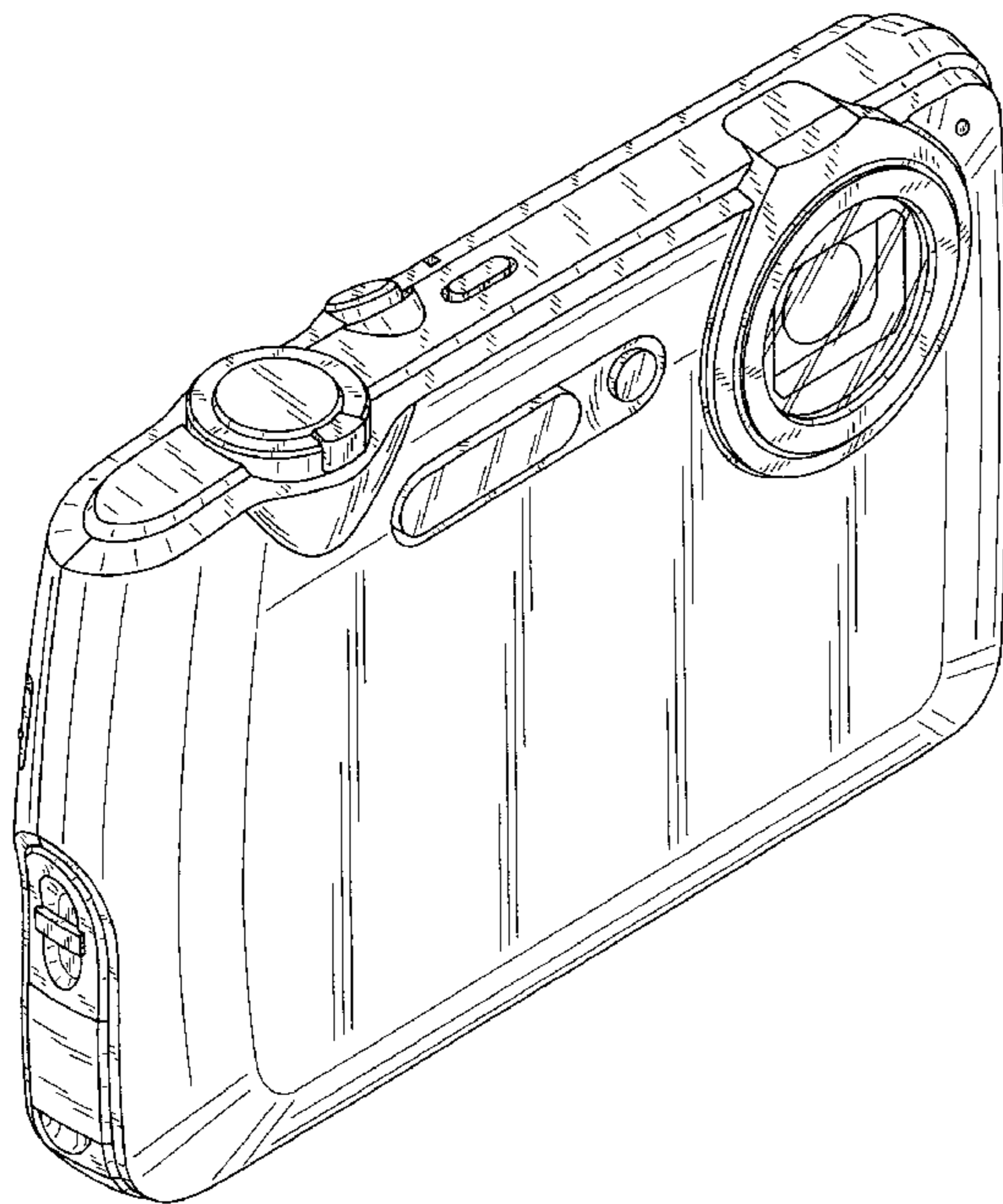
FIG. 4 is a left side view thereof;

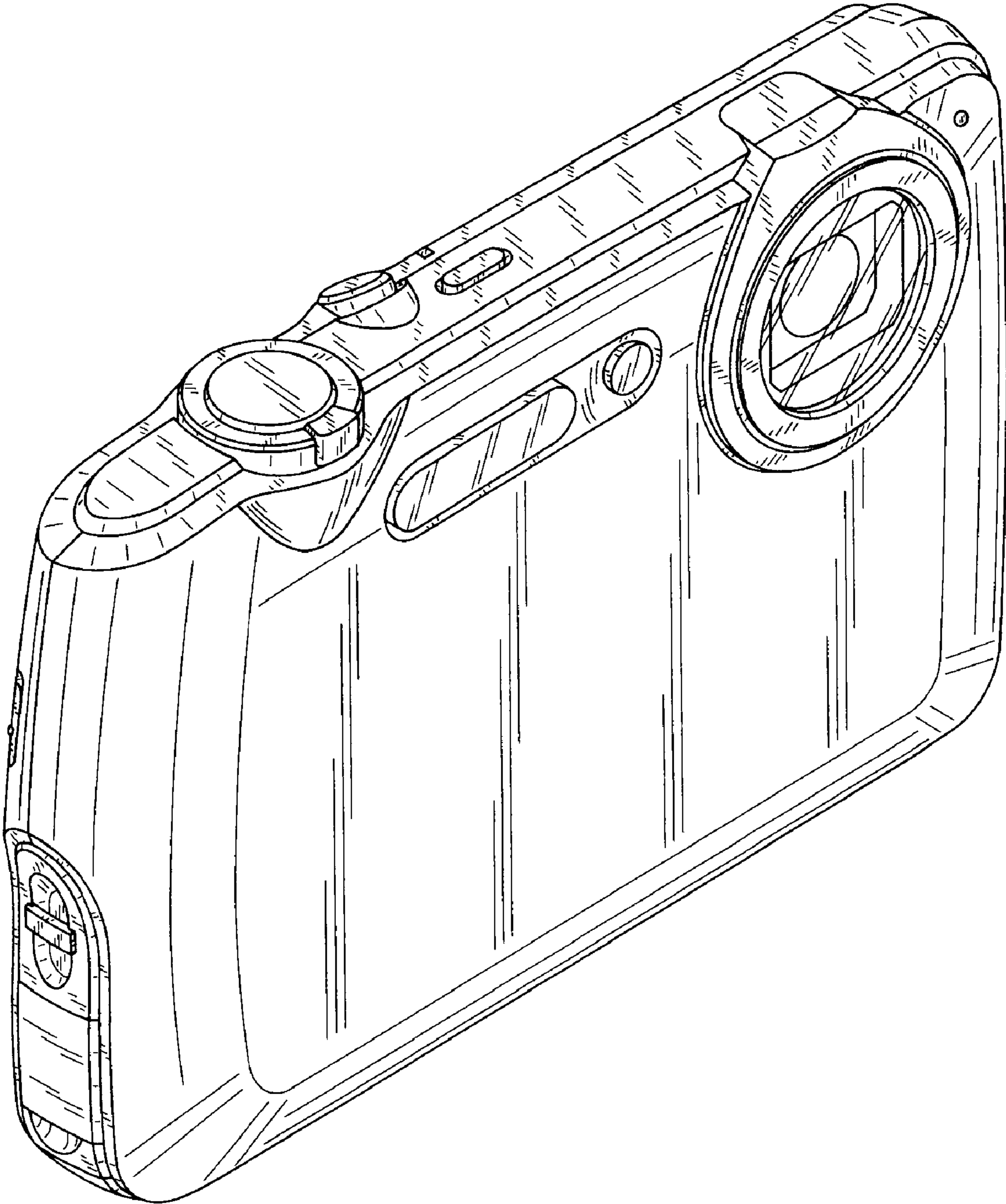
FIG. 5 is a right side view thereof;

FIG. 6 is a top plan view; and,

FIG. 7 is a bottom plan view.

**1 Claim, 6 Drawing Sheets**





**FIG. 1**

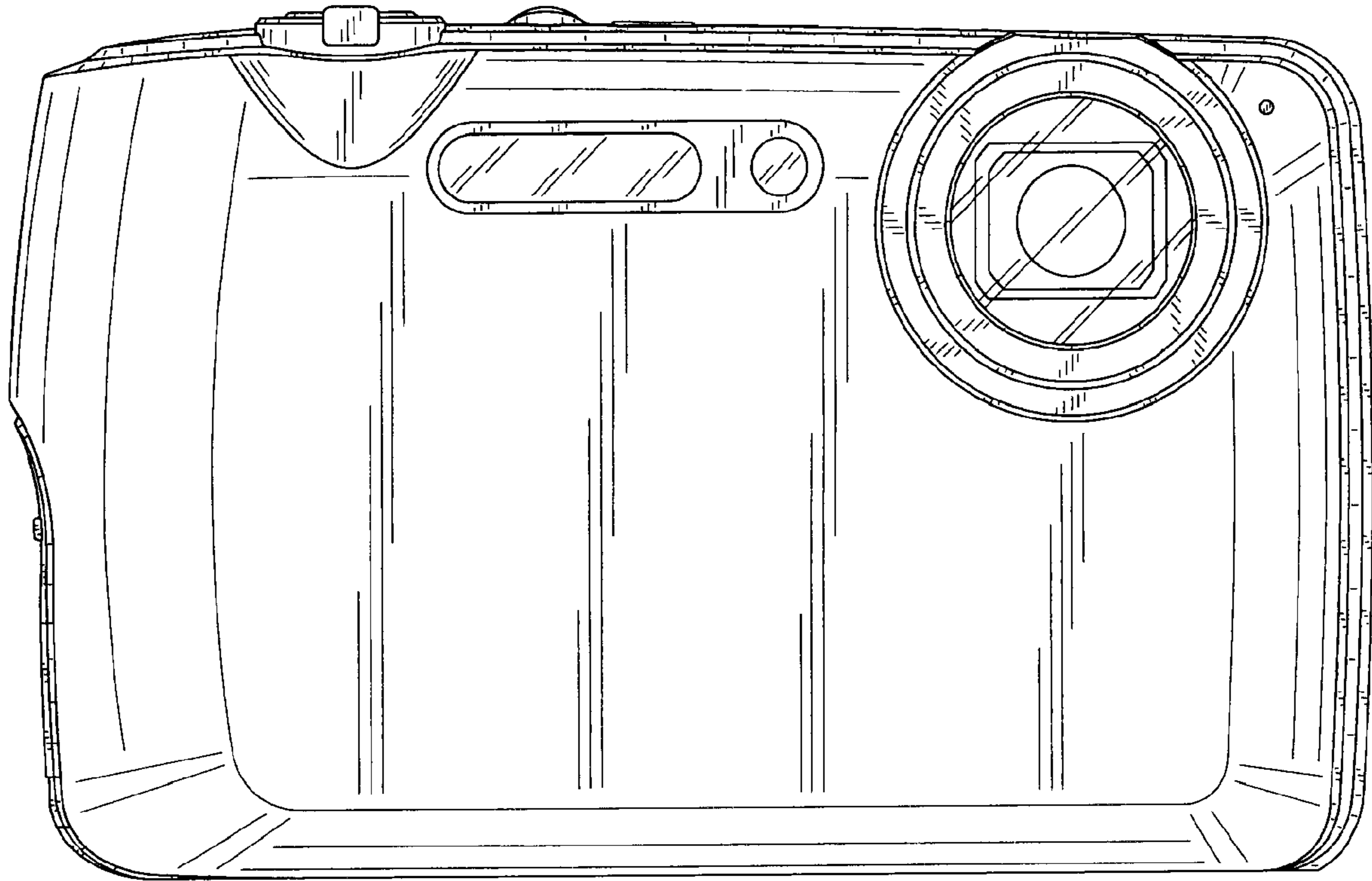


FIG. 2

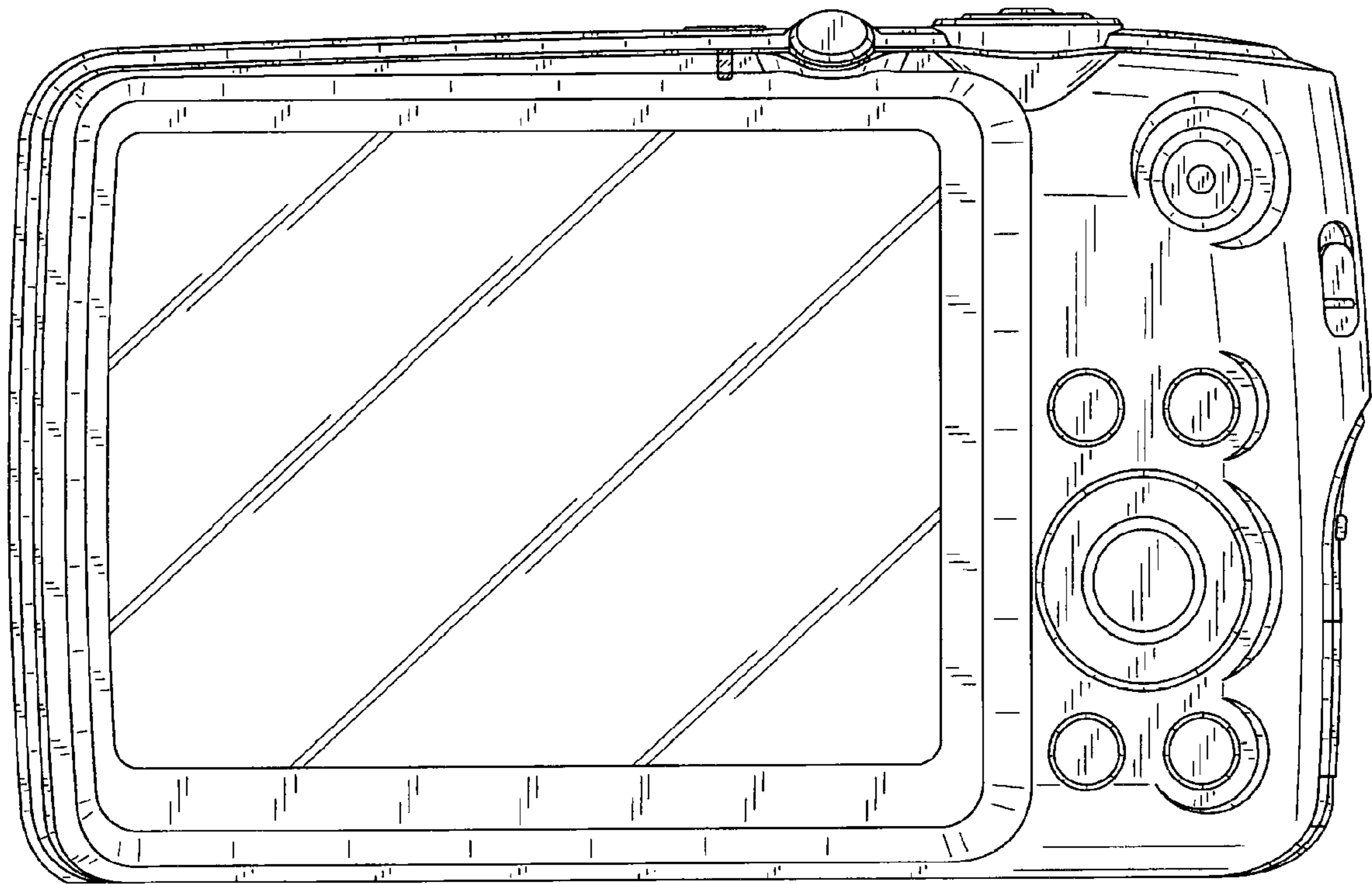
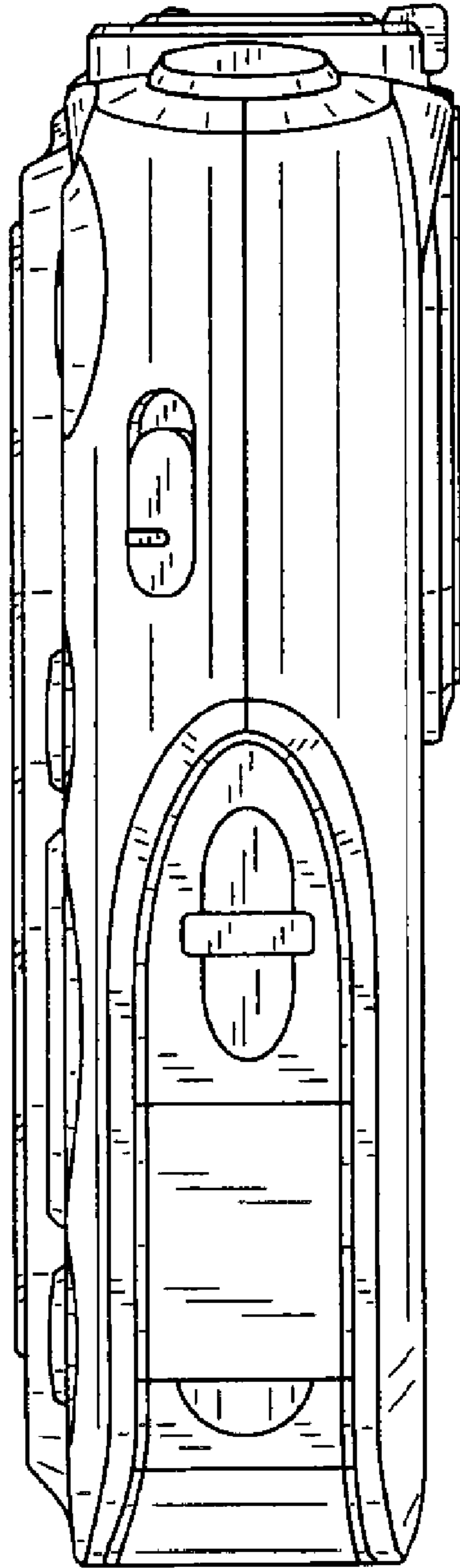
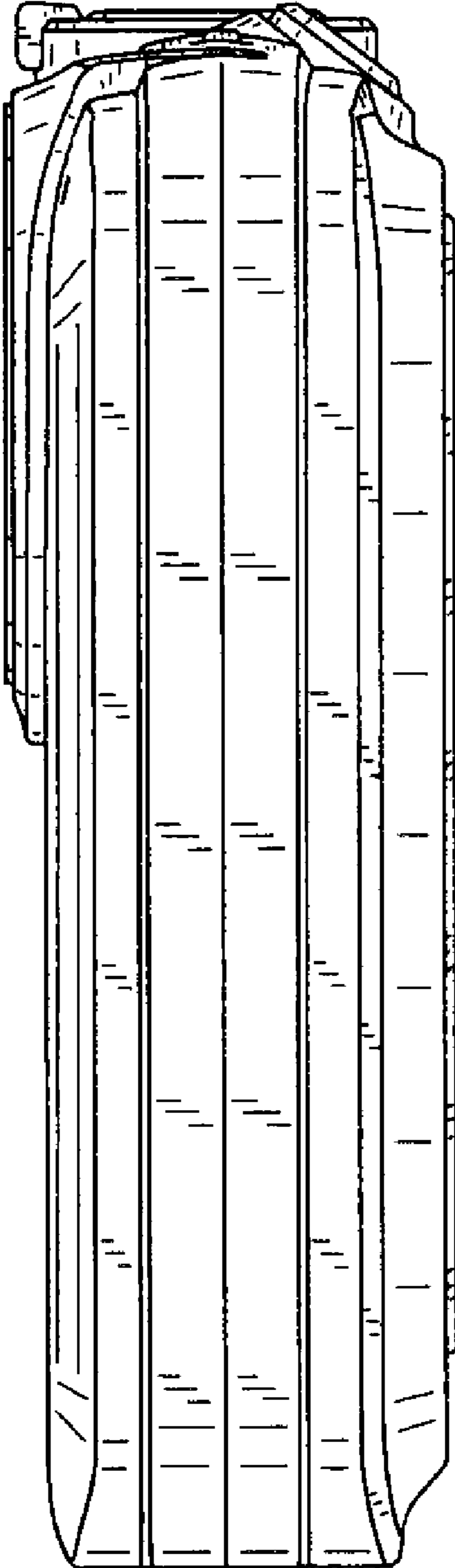


FIG. 3



**FIG. 4**



**FIG. 5**

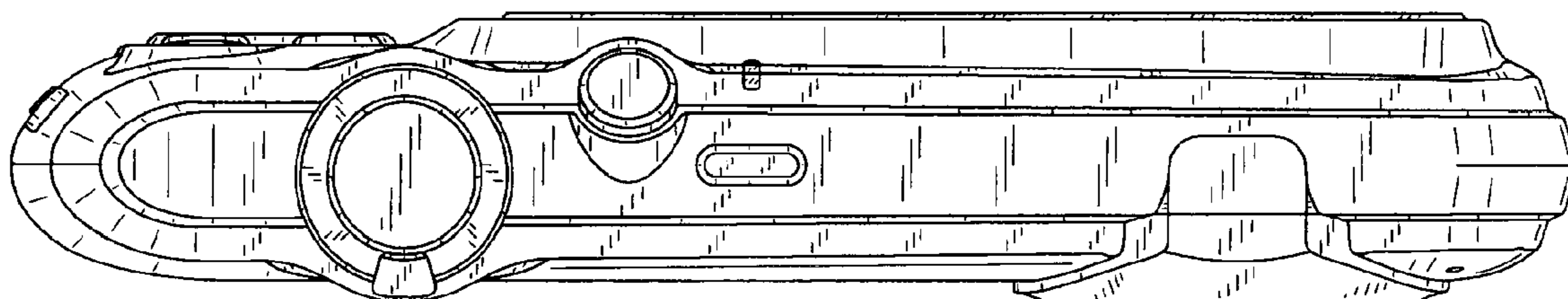


FIG. 6

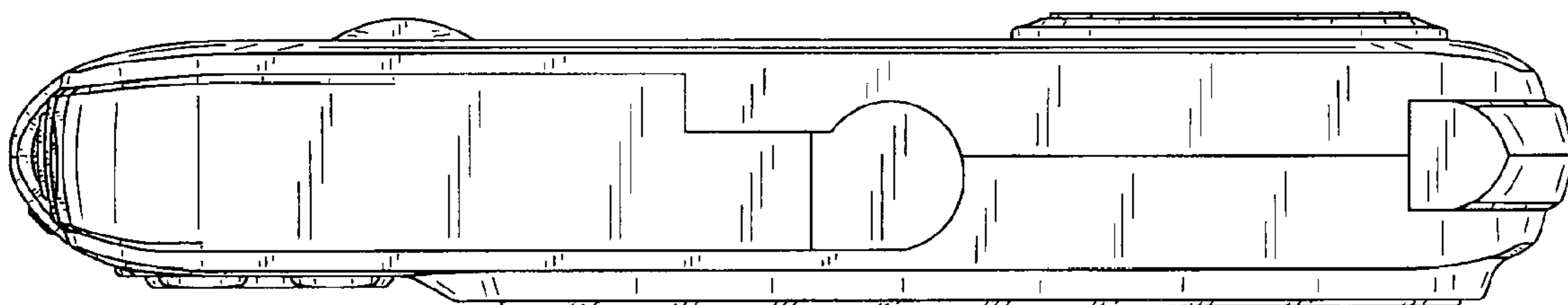


FIG. 7