



US00D605674S

(12) **United States Design Patent**
Nohara

(10) **Patent No.:** **US D605,674 S**
(45) **Date of Patent:** **** Dec. 8, 2009**

(54) **DIGITAL CAMERA**

(75) Inventor: **Takeshi Nohara**, Hachioji (JP)

(73) Assignee: **Olympus Imaging Corp.**, Tokyo (JP)

(**) Term: **14 Years**

(21) Appl. No.: **29/325,267**

(22) Filed: **Sep. 29, 2008**

(30) **Foreign Application Priority Data**

Aug. 8, 2008 (JP) 2008-020554

(51) **LOC (9) Cl.** **16-01**

(52) **U.S. Cl.** **D16/202**

(58) **Field of Classification Search** D16/200–204,
D16/208, 218; 348/373–376; 358/909.1;
396/535–541

See application file for complete search history.

(56) **References Cited**

U.S. PATENT DOCUMENTS

D533,574 S	*	12/2006	Hamamura	D16/202
D535,314 S	*	1/2007	Chang	D16/202
D546,854 S	*	7/2007	Hayashi	D16/202
D553,658 S		10/2007	Naito et al.		
D562,867 S	*	2/2008	Inaba	D16/202
D566,741 S	*	4/2008	Matsuda	D16/202
D568,358 S	*	5/2008	Shimobayashi	D16/202
D568,359 S		5/2008	Tajima		
D570,890 S	*	6/2008	Yoneya et al.	D16/218
D571,845 S		6/2008	Shimobayashi		

D576,191 S	*	9/2008	Shimobayashi	D16/202
D580,467 S	*	11/2008	Shimobayashi	D16/202
D591,781 S	*	5/2009	Matsuda	D16/202
2007/0212062 A1	*	9/2007	Saiki et al.	396/535

OTHER PUBLICATIONS

Related co-pending U.S. Appl. No. 29/325,265, filed Sep. 29, 2008, Inventor: Takeshi Nohara, Title: Digital Camera.

Related co-pending U.S. Appl. No. 29/325,274, filed Sep. 29, 2008, Inventors: Koji Shimobayashi et al, Title: Digital Camera.

* cited by examiner

Primary Examiner—Adir Aronovich

(74) *Attorney, Agent, or Firm*—Frishauf, Holtz, Goodman & Chick, P.C.

(57) **CLAIM**

The ornamental design for a digital camera, as shown and described.

DESCRIPTION

FIG. 1 is a front, top and right side perspective view of a digital camera, showing my new design;

FIG. 2 is a rear, top and left side perspective view thereof;

FIG. 3 is a front elevational view thereof;

FIG. 4 is rear elevational view thereof;

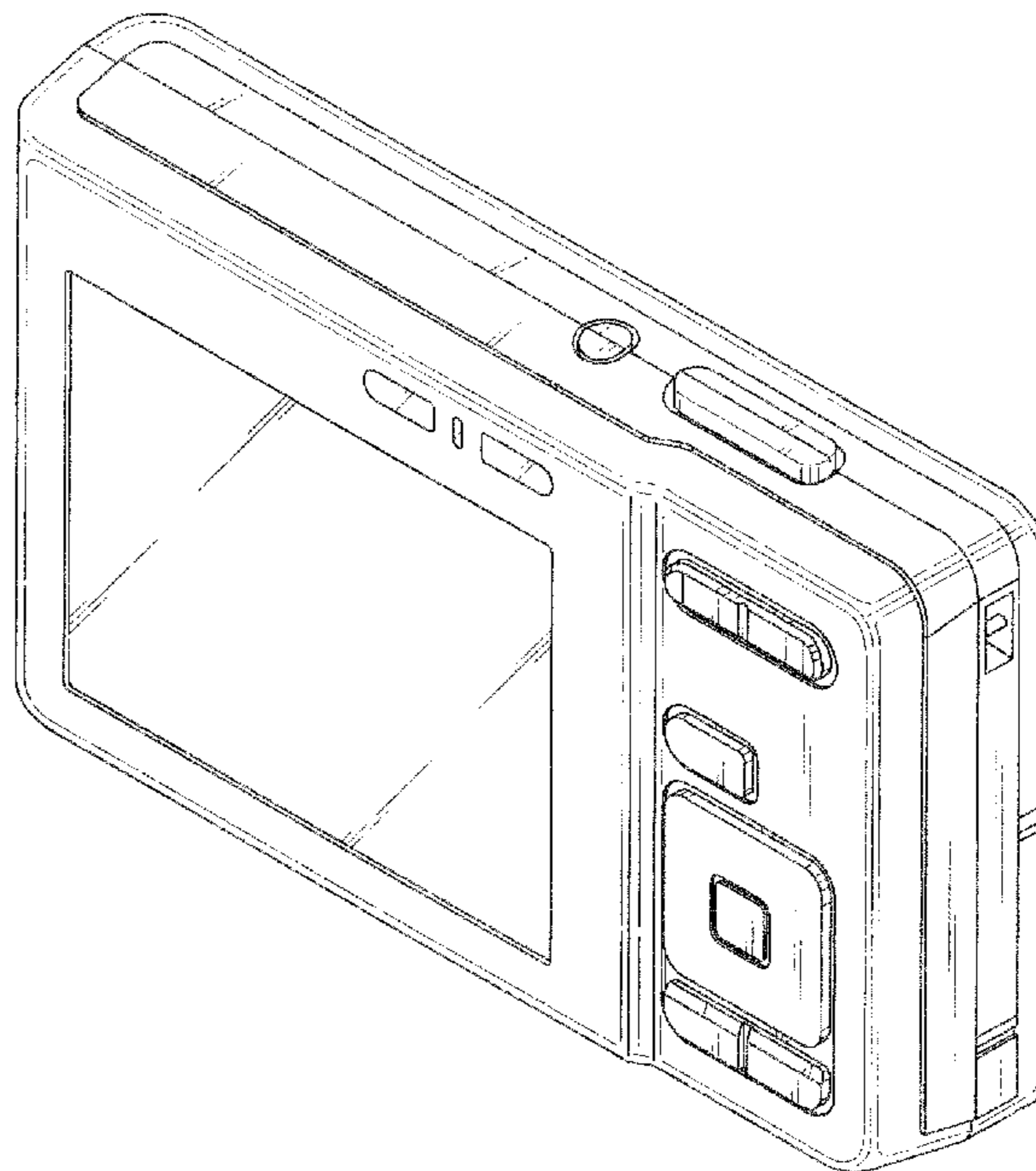
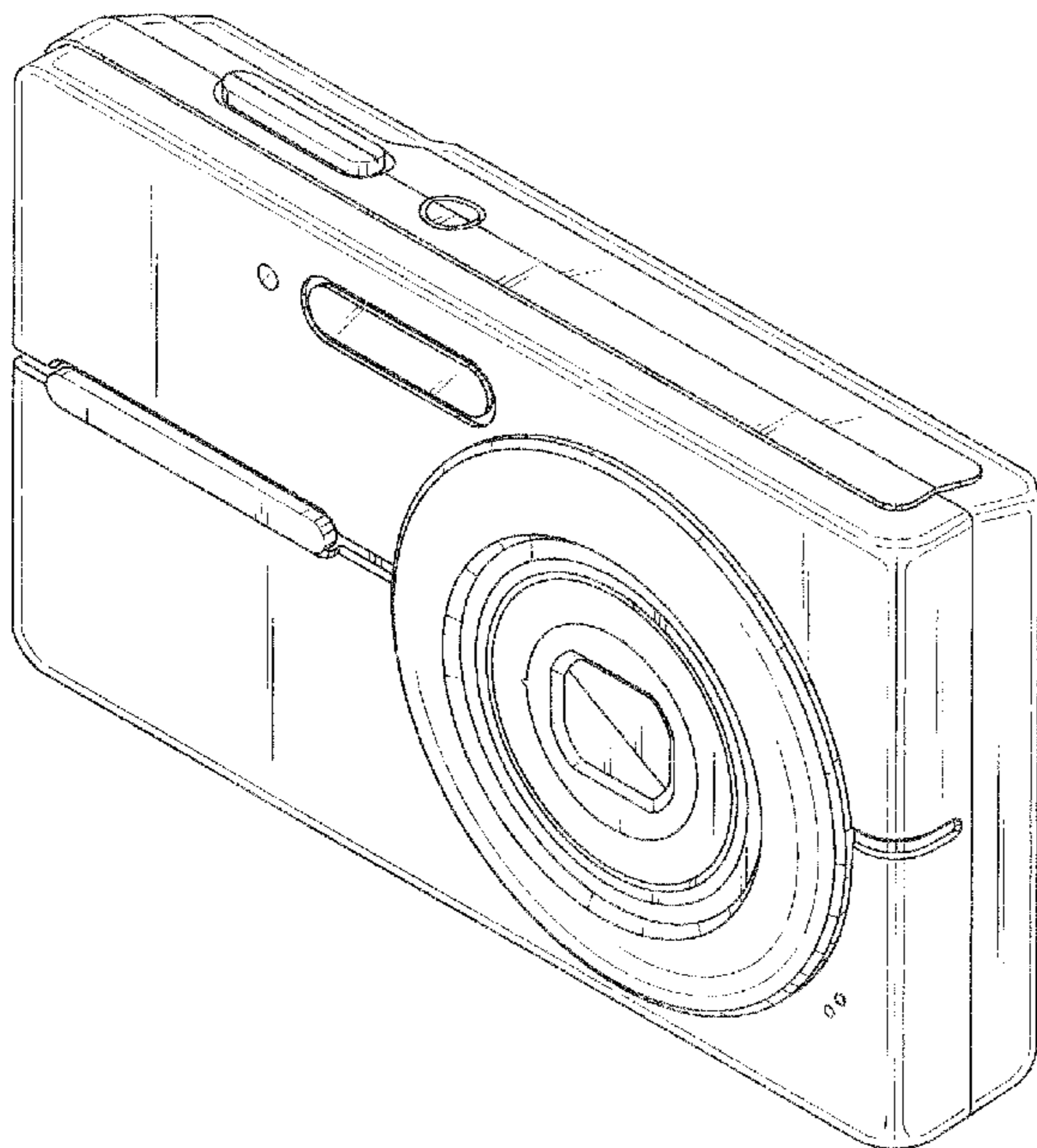
FIG. 5 is top plan view thereof;

FIG. 6 is bottom plan view thereof;

FIG. 7 is left side elevational view thereof; and,

FIG. 8 is right side elevational view thereof.

1 Claim, 4 Drawing Sheets



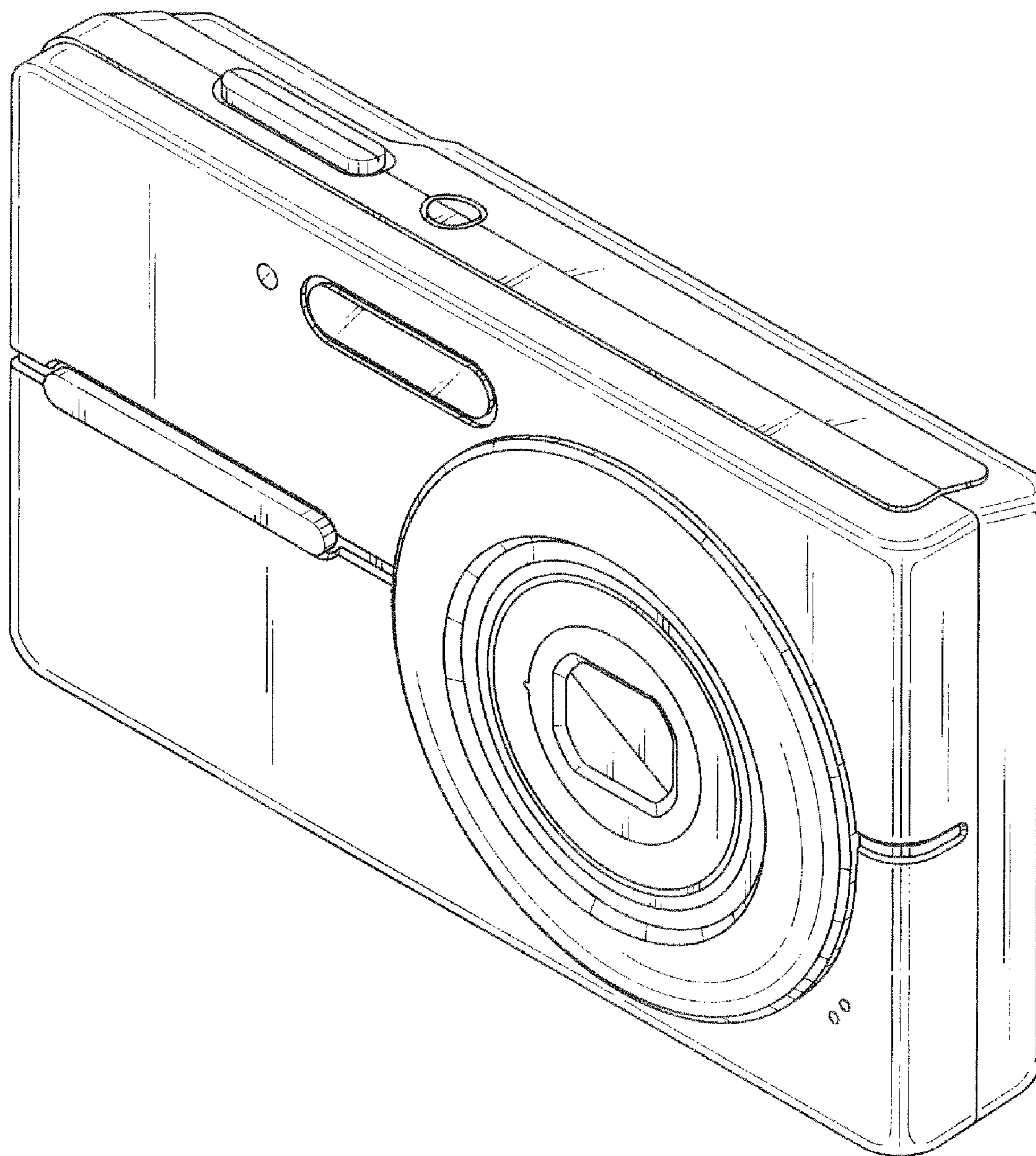


FIG. 1

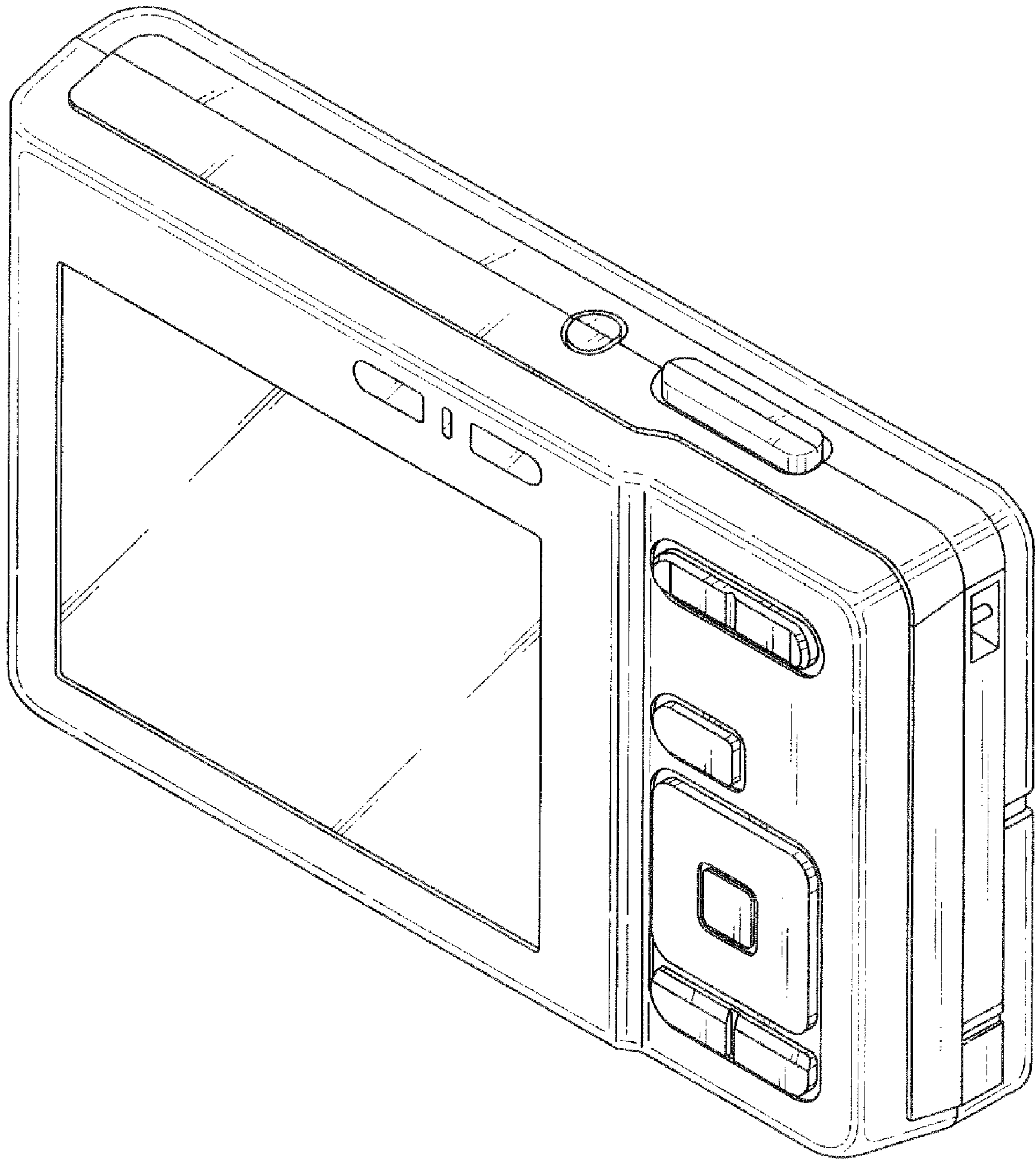


FIG.2

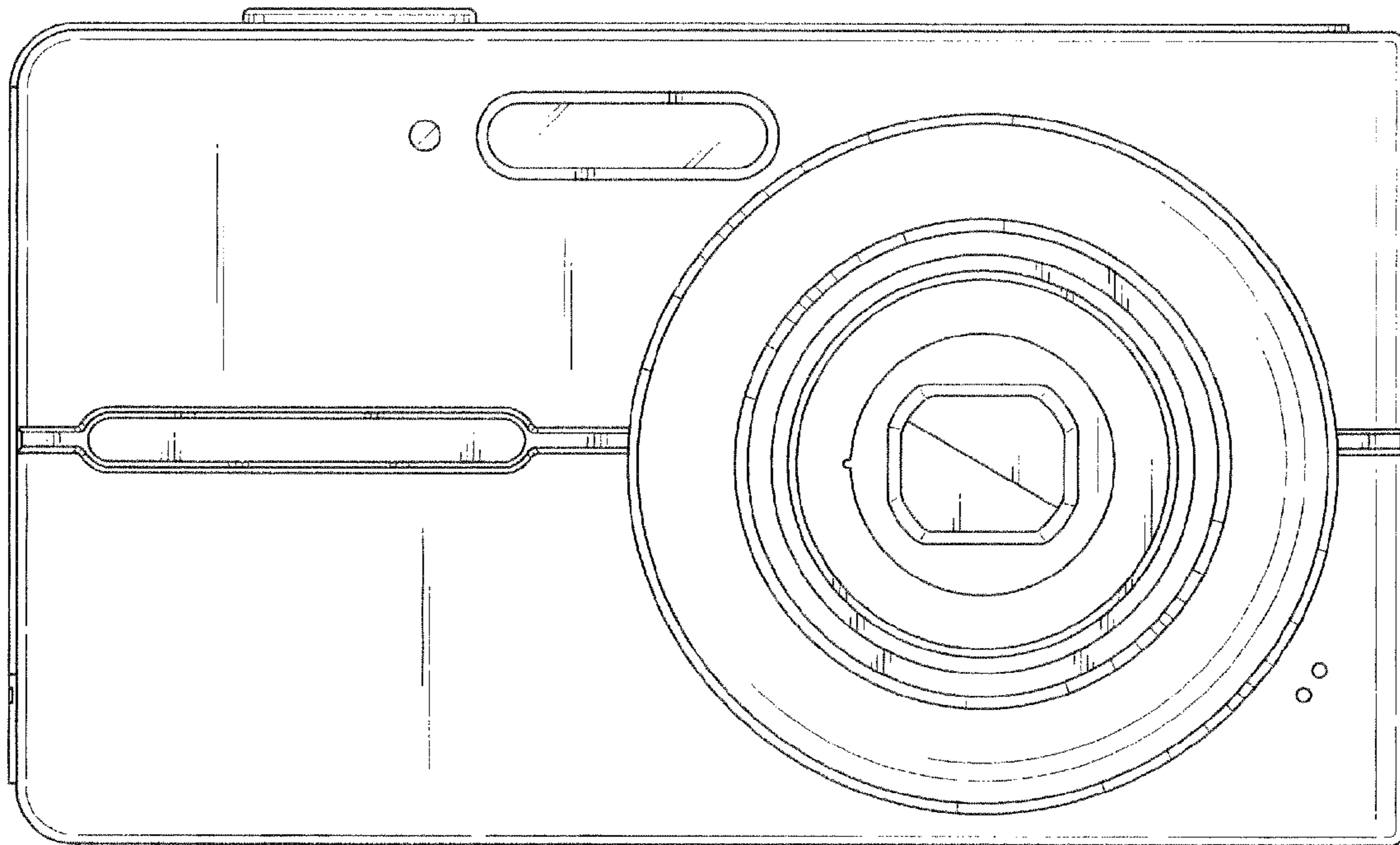


FIG.3

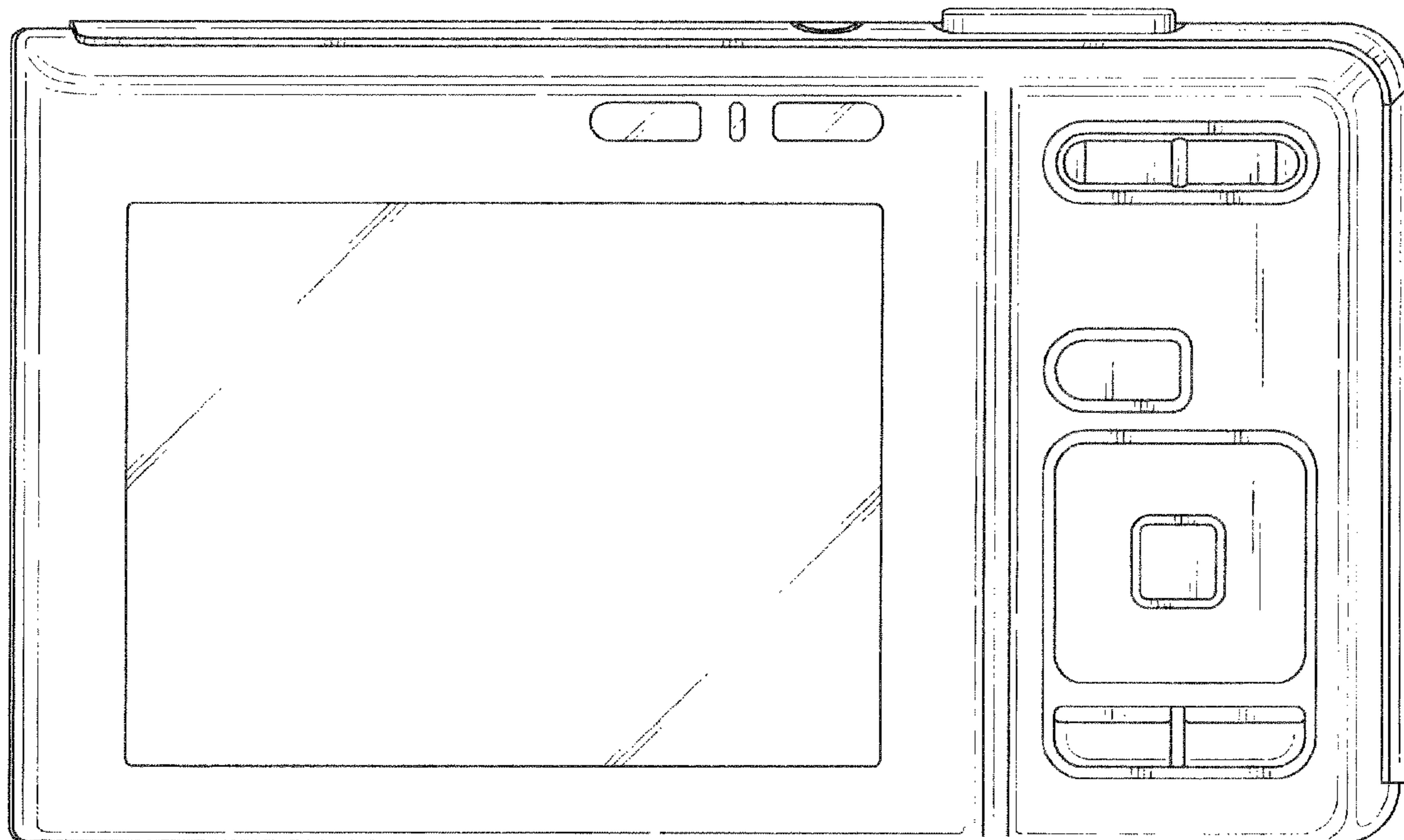


FIG.4

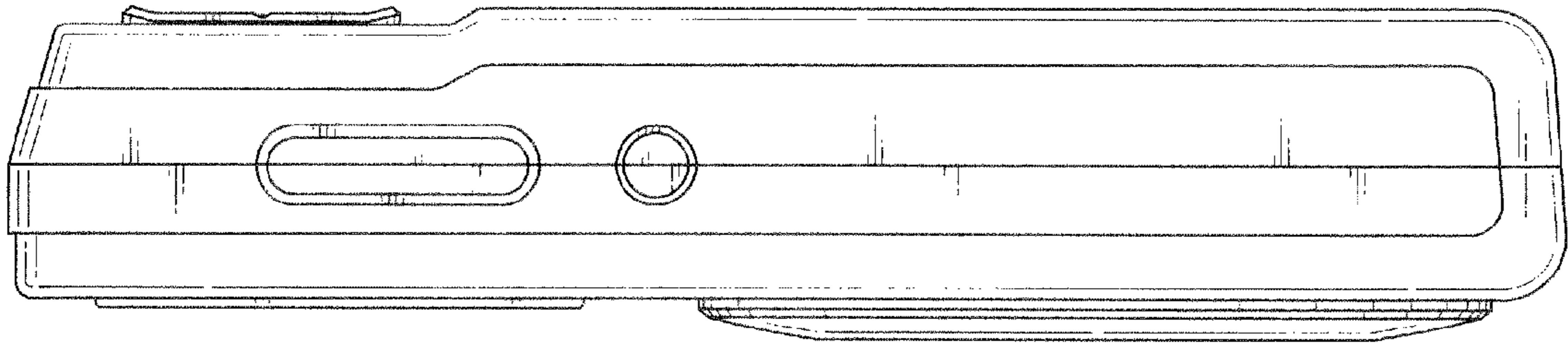


FIG. 5

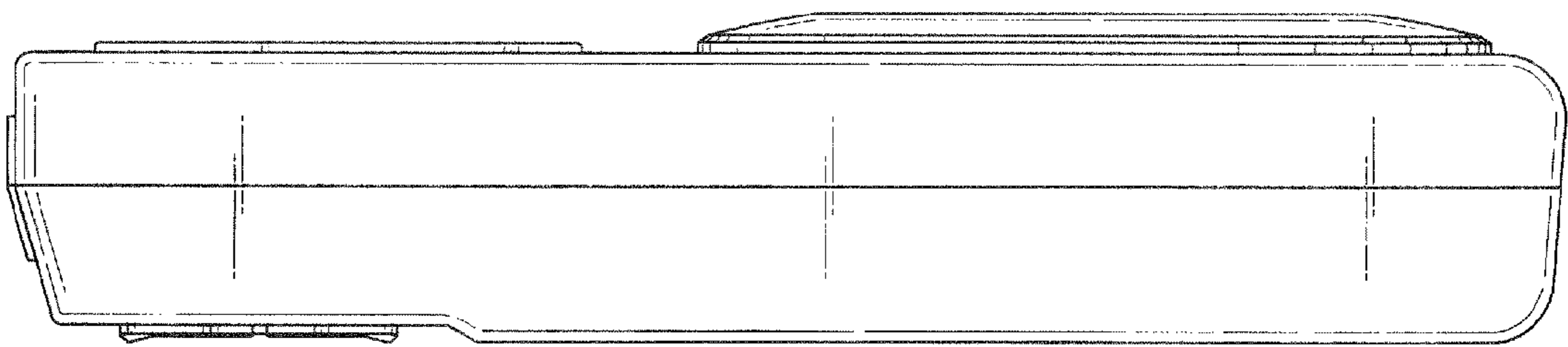


FIG. 6

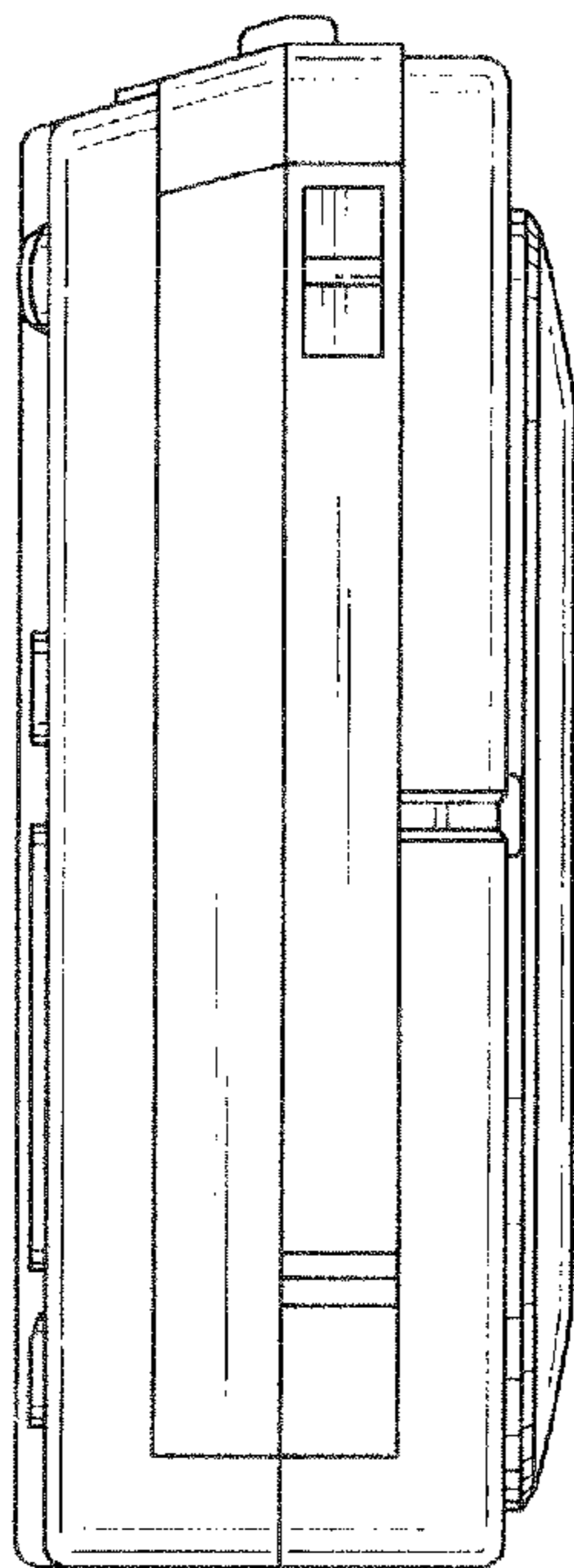


FIG. 7

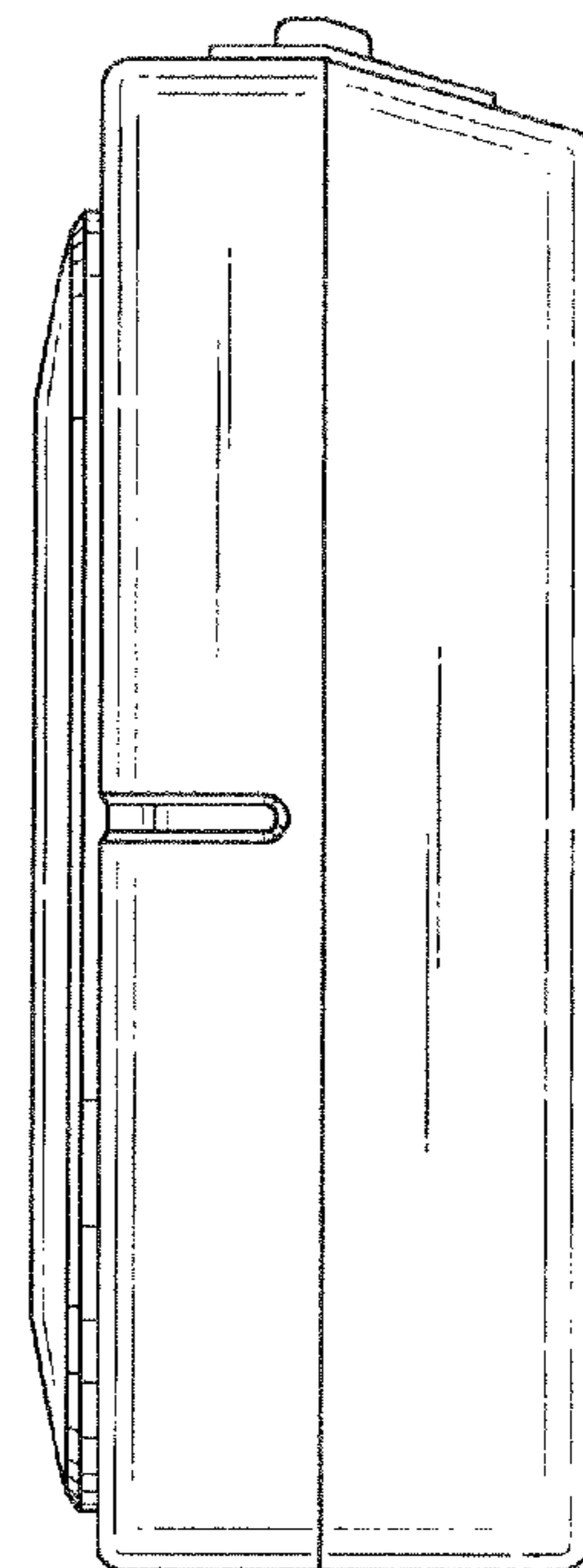


FIG. 8