



US00D605671S

(12) **United States Design Patent**
Nitzl et al.

(10) **Patent No.:** **US D605,671 S**

(45) **Date of Patent:** **** Dec. 8, 2009**

(54) **CASTING NOZZLE**

(75) Inventors: **Gerald Nitzl**, Bocholt (DE); **John Morris**, Strongsville, OH (US); **Justin Vincent Singleton**, Canal Fulton, OH (US); **Donald R. Zacharias**, Parma, OH (US); **Eric Thomas Wotsch**, Avon, OH (US); **Megan Joann Quick**, Rochester, NY (US)

(73) Assignee: **Refractory Intellectual Property GmbH & Co. KG**, Wienerbergstrabe (AT)

(**) Term: **14 Years**

(21) Appl. No.: **29/306,379**

(22) Filed: **Apr. 8, 2008**

(30) **Foreign Application Priority Data**

Mar. 5, 2008 (EM) 000891700-0002

(51) **LOC (9) Cl.** **15-09**

(52) **U.S. Cl.** **D15/135**

(58) **Field of Classification Search** D9/447,
D9/448; D15/135, 136, 144; D23/213, 223,
D23/265; 164/337, 437; 222/590, 591, 594,
222/606, 607; 266/218, 236, 265; 428/34.6,
428/36.91, 212, 213; 501/99

See application file for complete search history.

(56) **References Cited**

U.S. PATENT DOCUMENTS

D256,720	S *	9/1980	Watson	D23/213
D333,616	S *	3/1993	Perkins et al.	D9/448
5,681,498	A *	10/1997	Poloni et al.	222/594
6,321,953	B1 *	11/2001	Nakamura et al.	222/590
6,425,505	B1 *	7/2002	Heaslip et al.	222/594
6,467,704	B2	10/2002	Sahai et al.	239/553.5
6,637,629	B2 *	10/2003	Ohtsuka et al.	222/606
D491,252	S *	6/2004	Chen	D23/223
7,137,579	B1 *	11/2006	Blatt	239/654
D573,688	S *	7/2008	Pedersen et al.	D23/213
D577,423	S *	9/2008	Dole	D23/265
D577,584	S *	9/2008	Porter et al.	D9/447
2001/0038045	A1 *	11/2001	Heaslip et al.	239/590.5
2002/0063172	A1 *	5/2002	Shai et al.	239/553.5

2002/0177517	A1 *	11/2002	Hoover et al.	501/101
2003/0038410	A1 *	2/2003	Renard et al.	266/269
2003/0102611	A1 *	6/2003	Renard et al.	266/265
2004/0159987	A1 *	8/2004	Bederka	266/218
2005/0137534	A1 *	6/2005	Hommann	604/224
2006/0169728	A1 *	8/2006	Xu et al.	222/606
2006/0232062	A1 *	10/2006	Richard et al.	285/189
2006/0243418	A1 *	11/2006	Hanna	164/437
2006/0243760	A1 *	11/2006	McIntosh et al.	222/606
2007/0102852	A1 *	5/2007	Richaud et al.	266/236
2009/0020567	A1 *	1/2009	Numano et al.	222/594

* cited by examiner

Primary Examiner—Sandra Snapp

Assistant Examiner—Patricia Palasik

(74) *Attorney, Agent, or Firm*—Nixon & Vanderhye P.C.

(57) **CLAIM**

The ornamental design for a “casting nozzle,” as shown and described.

DESCRIPTION

This application may also be deemed to be related to commonly owned U.S. Design patent application Ser. No. 29/306, 378 filed even date herewith entitled “Nozzle”, the entire content of which is expressly incorporated hereinto by reference.

FIG. 1 is front side elevational view of the casting nozzle which embodies our new and original design therefore, the rear side elevational view being a mirror image thereof;

FIG. 2 right side elevational view thereof, the left side elevational view being a mirror image thereof;

FIG. 3 is a top plan view thereof;

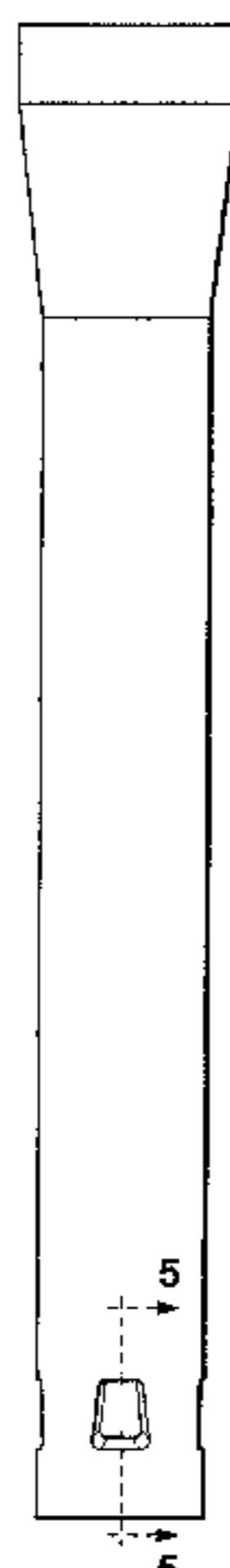
FIG. 4 is a bottom plan view thereof;

FIG. 5 is a cross-sectional longitudinal elevational view thereof as taken along line 5—5 in FIG. 1;

FIG. 6 is a cross-sectional latitudinal view thereof as taken along line 6—6 in FIG. 5; and,

FIG. 7 is an enlarged detail perspective view of the bottom encircled portion identified in FIG. 2 rotated 45 degrees.

1 Claim, 2 Drawing Sheets



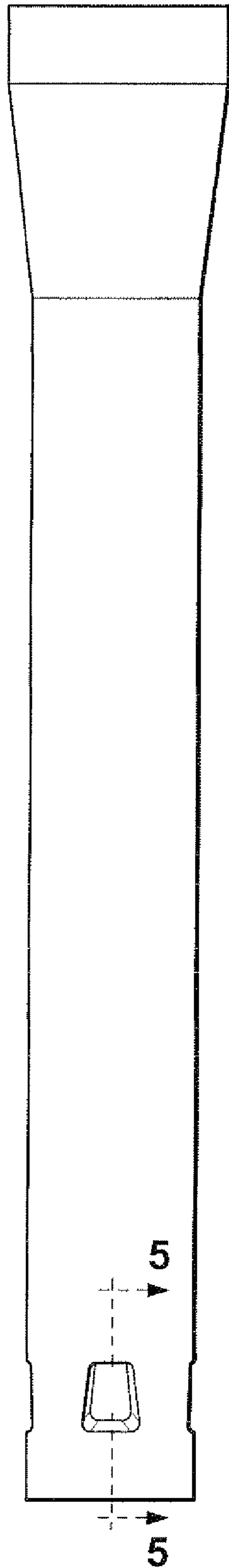


FIG. 1

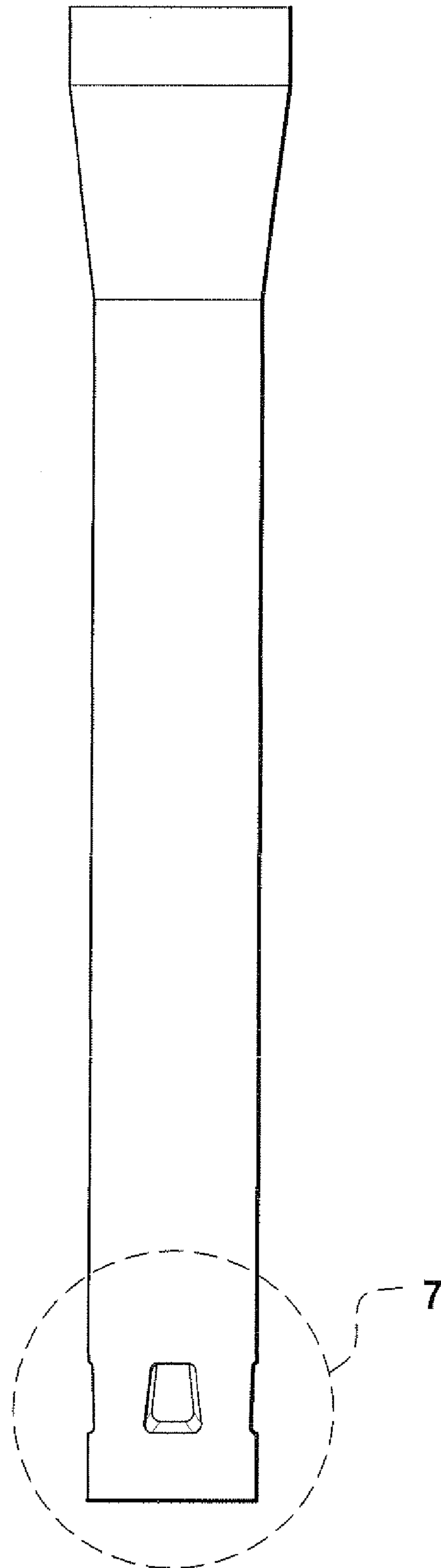


FIG. 2

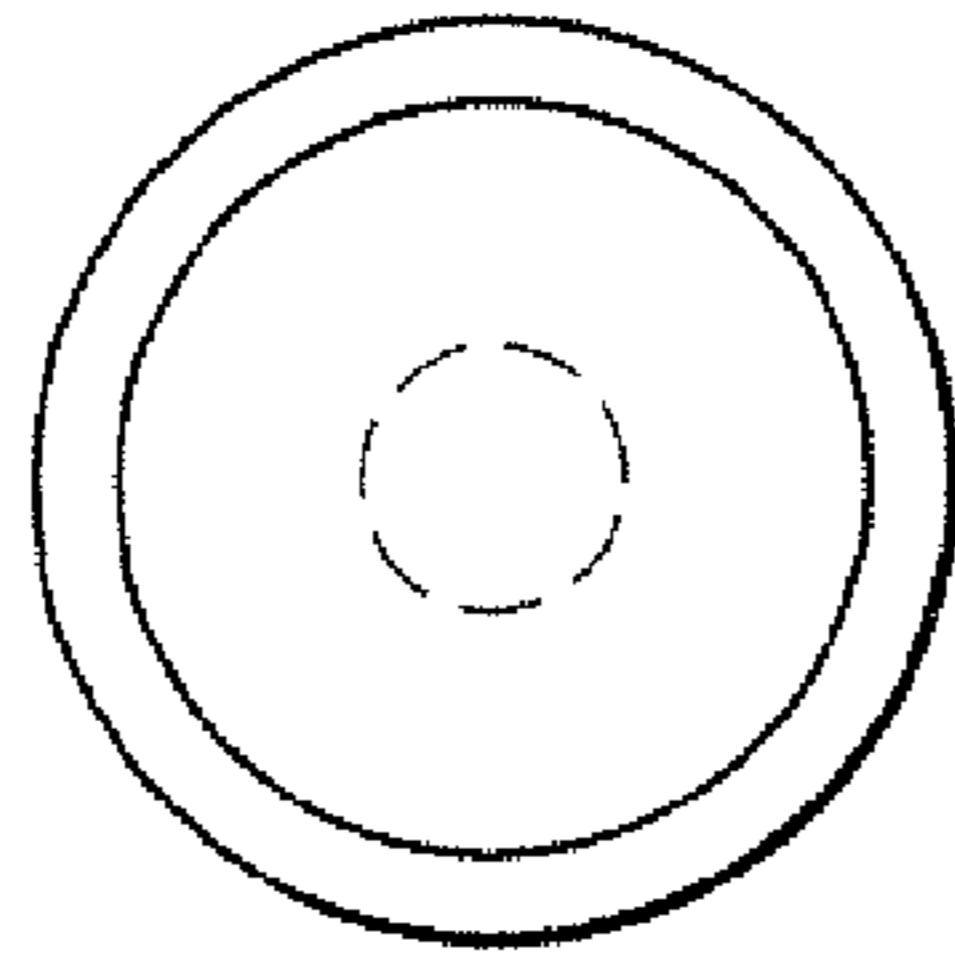


FIG. 3

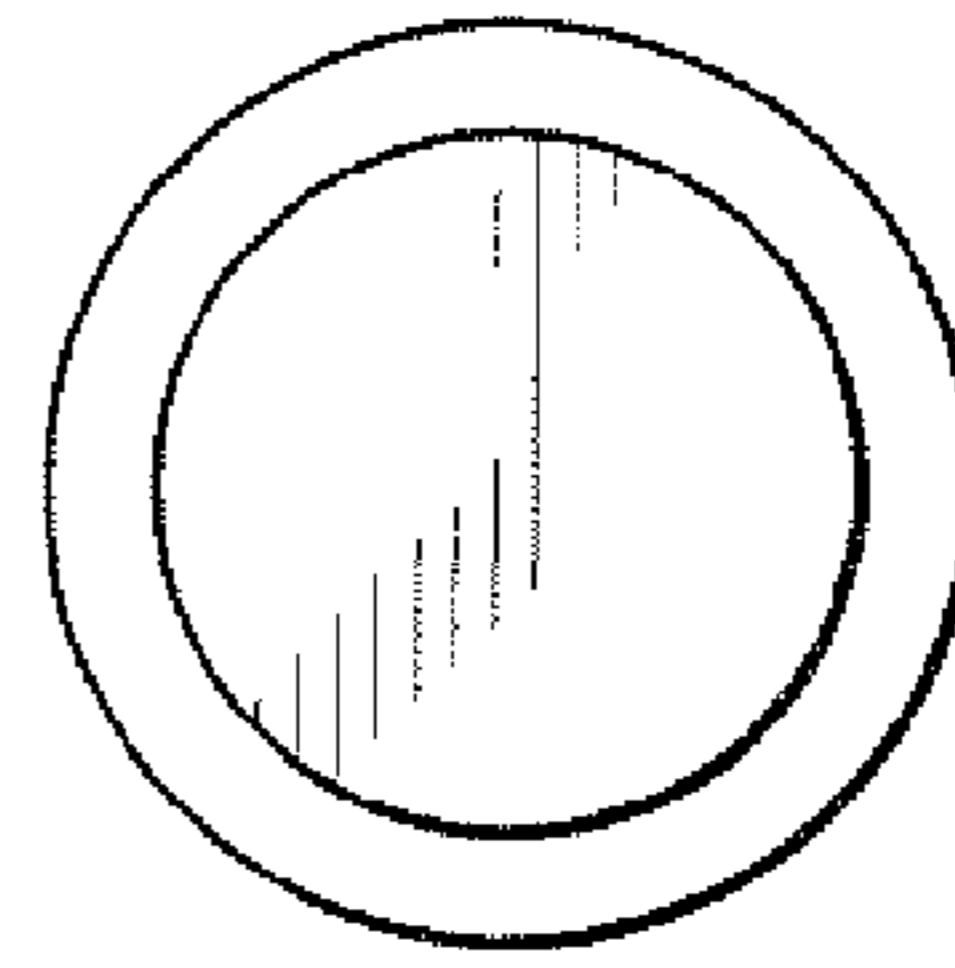


FIG. 4

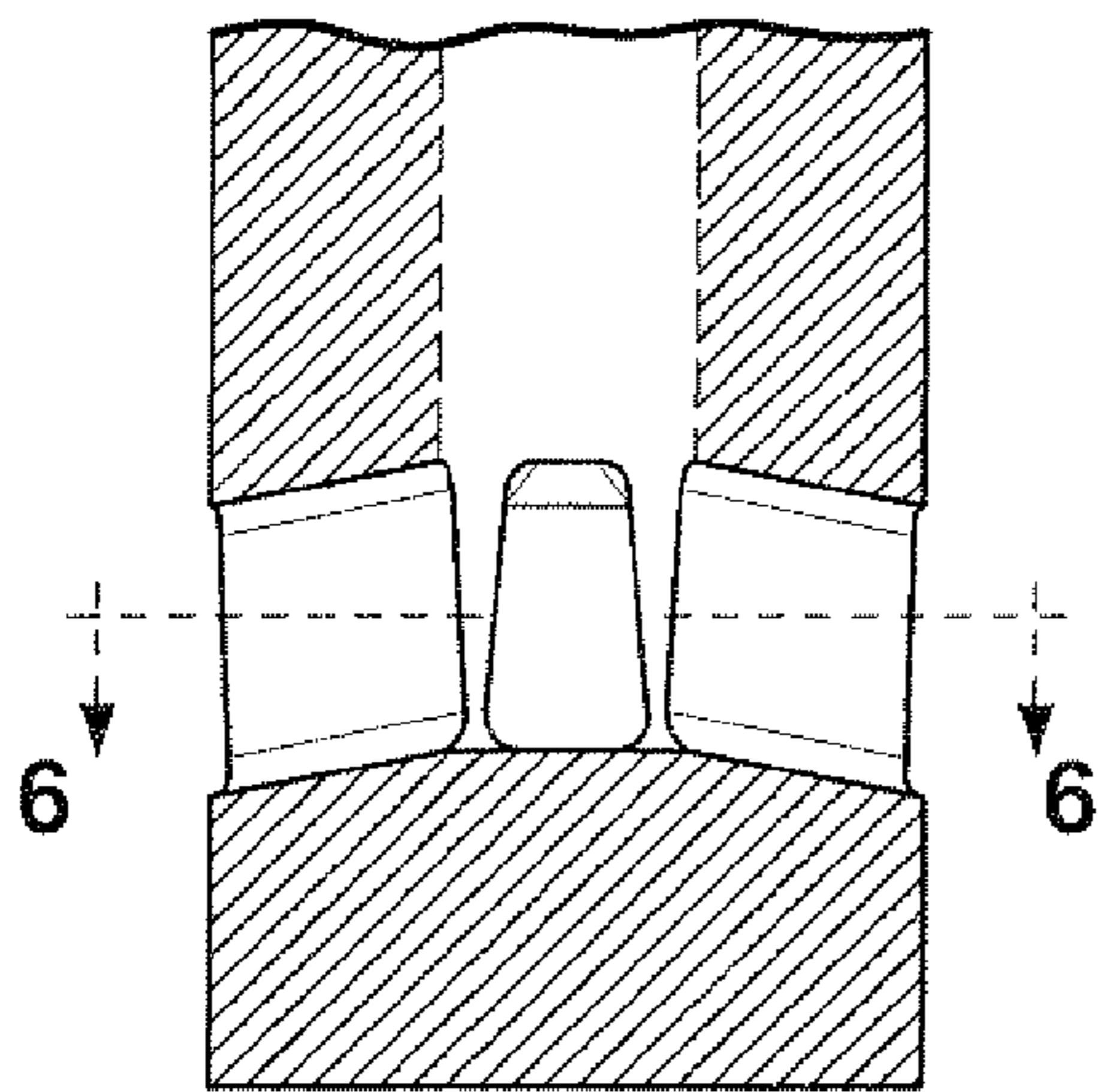


FIG. 5

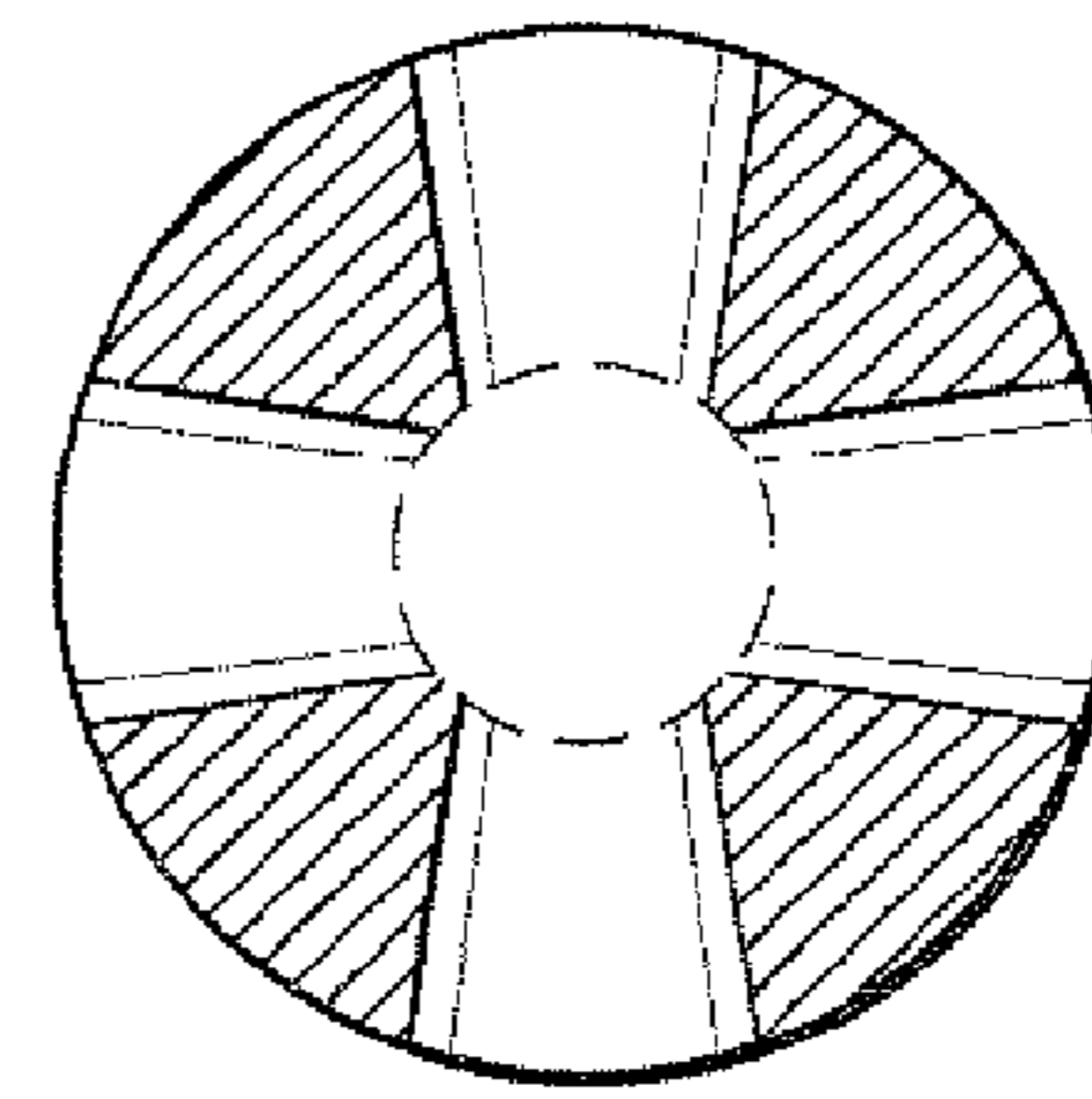


FIG. 6

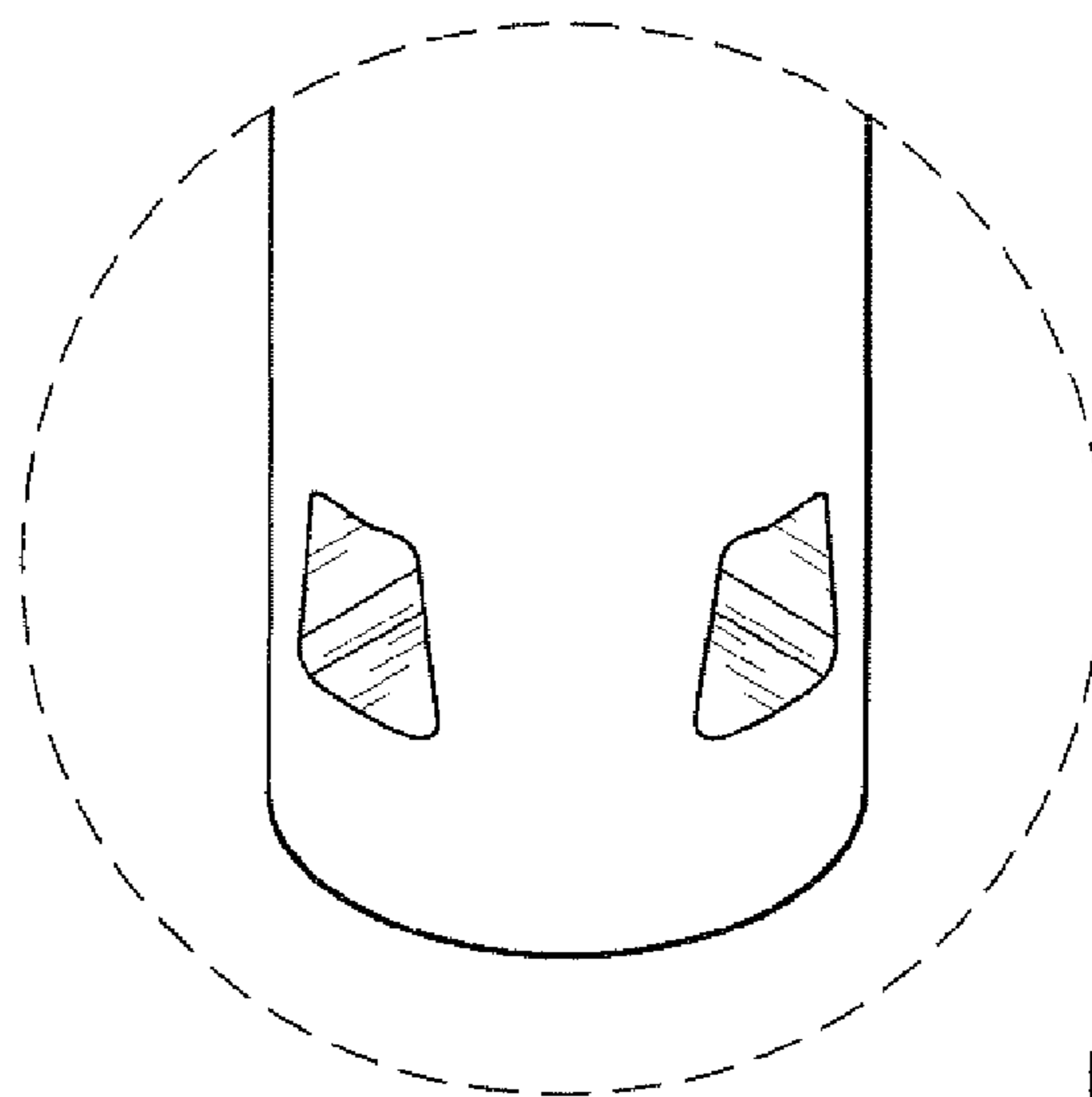


FIG. 7