



US00D605668S

(12) **United States Design Patent**  
**Matsumoto et al.**

(10) **Patent No.:** **US D605,668 S**  
(45) **Date of Patent:** **\*\* Dec. 8, 2009**

(54) **TRACTOR**

(75) Inventors: **Kunihiko Matsumoto**, Osaka (JP);  
**Naoki Yamamoto**, Osaka (JP)

(73) Assignee: **Yanmar Co., Ltd.**, Osaka (JP)

(\*\*) Term: **14 Years**

(21) Appl. No.: **29/336,941**

(22) Filed: **May 12, 2009**

(51) **LOC (9) Cl.** ..... **12-09**

(52) **U.S. Cl.** ..... **D15/23**

(58) **Field of Classification Search** ..... D15/10,  
D15/22-26; 56/16.7, 202, 255-257; 180/9.48,  
180/9.46, 906, 89.1, 89.12, 900; 305/129;  
280/89

See application file for complete search history.

(56) **References Cited**

**U.S. PATENT DOCUMENTS**

2,669,317 A	2/1954	Celien
2,976,947 A	3/1961	Cruthis et al.
D226,557 S	3/1973	Skyer et al.
D226,558 S	3/1973	Skyer et al.
D227,089 S	6/1973	Kamlukin et al.
D227,090 S	6/1973	Noma et al.
D247,624 S	3/1978	Emundts et al.
D256,017 S	7/1980	Emundts et al.
D258,824 S	4/1981	Funabashi
D297,239 S	8/1988	Funabashi et al.
D302,276 S	7/1989	Briggs et al.
D305,236 S	12/1989	Funabashi et al.
D306,301 S	2/1990	Funabashi et al.
D310,374 S	9/1990	Westimayer et al.
D311,543 S	10/1990	Hardzinski et al.
D314,388 S	2/1991	Brewer et al.
5,018,591 A	5/1991	Price
D326,662 S	6/1992	Holm et al.
D354,756 S	1/1995	Hinklin
D363,939 S	11/1995	Kato et al.
D363,940 S	11/1995	Hinklin

D364,879 S	12/1995	Bastian et al.
D371,372 S	7/1996	Westimayer et al.
D375,506 S	11/1996	Bastian et al.
D378,755 S	4/1997	Kato et al.
D381,341 S	7/1997	Goebert et al.
D383,470 S	9/1997	Westimayer et al.
D387,068 S	12/1997	Kato et al.
D389,492 S	1/1998	Schmidt et al.
D391,581 S	3/1998	Kato et al.
5,782,312 A	7/1998	Murakawa
5,992,260 A	11/1999	Fujiki et al.

(Continued)

**FOREIGN PATENT DOCUMENTS**

EP 1873009 1/2008

(Continued)

**OTHER PUBLICATIONS**

U.S. Appl. No. 29/336,942, Matsumoto et al., Tractor, filed May 12, 2009.

*Primary Examiner*—Stella M Reid

*Assistant Examiner*—Mark A Goodwin

(74) *Attorney, Agent, or Firm*—Sterne, Kessler, Goldstein & Fox P.L.L.C.

(57) **CLAIM**

The ornamental design for a tractor, as shown and described.

**DESCRIPTION**

FIG. 1 is a front perspective view of a tractor showing our new design;

FIG. 2 is a right side view thereof;

FIG. 3 is a left side view thereof;

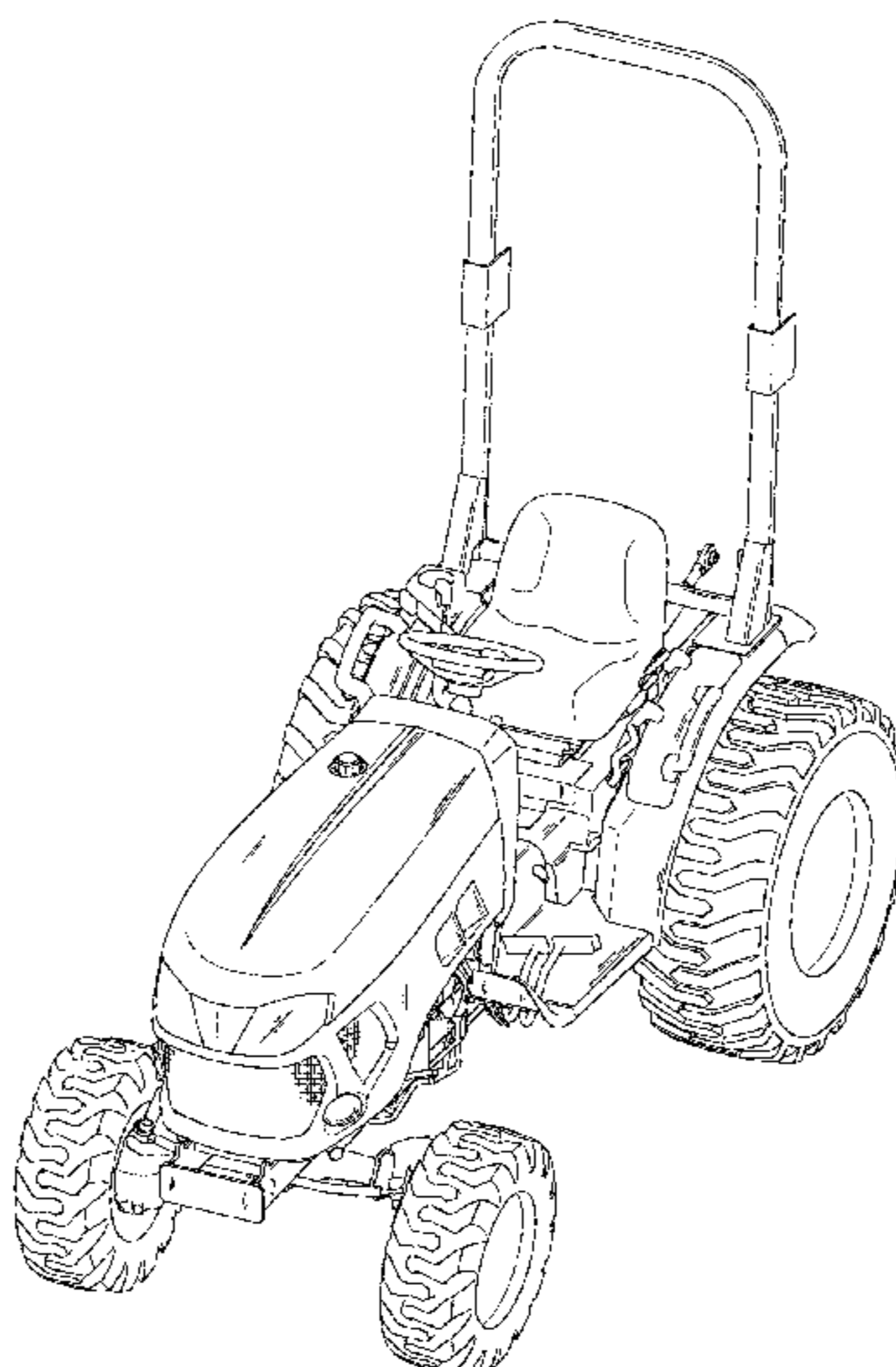
FIG. 4 is a front view thereof;

FIG. 5 is a rear view thereof;

FIG. 6 is a top plan view thereof; and,

FIG. 7 is a bottom plan view thereof.

**1 Claim, 7 Drawing Sheets**



# US D605,668 S

## U.S. PATENT DOCUMENTS

D421,266 S 2/2000 Hinklin  
 D422,606 S 4/2000 Katoh et al.  
 D423,520 S 4/2000 Smith  
 D427,205 S 6/2000 Shimizu  
 6,082,477 A 7/2000 Murakawa  
 D438,546 S 3/2001 Katoh et al.  
 D440,234 S 4/2001 Katoh et al.  
 D440,982 S 4/2001 Knight et al.  
 D447,492 S 9/2001 Goebert et al.  
 D448,037 S 9/2001 Westimayer et al.  
 D453,776 S 2/2002 Williams  
 D455,157 S 4/2002 Williams  
 D455,764 S 4/2002 Williams  
 D458,945 S 6/2002 Hohnl et al.  
 D460,463 S 7/2002 Kubo et al.  
 D473,570 S 4/2003 Kuwae  
 D473,881 S 4/2003 Kuwae  
 D473,882 S 4/2003 Kuwae  
 D474,206 S 5/2003 Kuwae  
 D483,043 S 12/2003 Akashima et al.  
 D489,381 S 5/2004 Mistry et al.  
 D497,370 S 10/2004 Katoh  
 D498,245 S 11/2004 Kuwae et al.  
 D499,748 S 12/2004 Komatsu et al.  
 D501,487 S 2/2005 Katoh et al.  
 6,889,782 B2 5/2005 Komatsu et al.  
 6,913,103 B2 7/2005 Kitasaka et al.  
 D511,175 S 11/2005 Staines et al.  
 D512,445 S 12/2005 Farlow et al.  
 D513,268 S 12/2005 Wang et al.  
 6,991,042 B2 1/2006 Ochi et al.  
 D515,105 S 2/2006 Wang et al.  
 D521,532 S 5/2006 Higashikawa  
 D523,027 S 6/2006 Yamashita et al.  
 D527,742 S 9/2006 Kuwae  
 D527,743 S 9/2006 Asada et al.

D529,932 S 10/2006 Yamashita et al.  
 D532,021 S 11/2006 Kuwae et al.  
 D533,882 S 12/2006 Higashikawa  
 D537,090 S 2/2007 Kuwae  
 D537,454 S \* 2/2007 Higashikawa et al. .... D15/23  
 D537,455 S 2/2007 Kuwae et al.  
 D546,351 S 7/2007 Arthur et al.  
 D547,333 S 7/2007 Nishi et al.  
 D550,251 S 9/2007 Matsumoto et al.  
 D553,159 S \* 10/2007 Higashikawa et al. .... D15/23  
 D553,161 S 10/2007 Matsumoto  
 D554,669 S 11/2007 Crookes et al.  
 D557,714 S 12/2007 Higashikawa  
 D558,797 S \* 1/2008 Yamamoto et al. .... D15/26  
 D558,799 S 1/2008 Higashikawa  
 D559,277 S 1/2008 Tsujita et al.  
 D559,278 S 1/2008 Tsujita et al.  
 D565,607 S 4/2008 Moen et al.  
 7,452,021 B2 11/2008 Shibaoka et al.  
 D581,953 S 12/2008 Matsumoto et al.  
 D581,954 S 12/2008 Matsumoto et al.  
 D581,955 S 12/2008 Matsumoto et al.  
 D583,836 S 12/2008 Matsumoto et al.  
 D584,321 S 1/2009 Matsumoto et al.  
 7,549,693 B2 6/2009 Shibaoka et al.  
 D599,826 S \* 9/2009 Kuwae ..... D15/26  
 2006/0066129 A1 3/2006 Roger  
 2008/0092331 A1 4/2008 Matsumoto et al.  
 2008/0106112 A1 5/2008 Shibaoka et al.

## FOREIGN PATENT DOCUMENTS

JP	57-48661	10/1982
JP	1-7635	3/1989
JP	6-11897	3/1994
JP	2000-219065	8/2000

\* cited by examiner

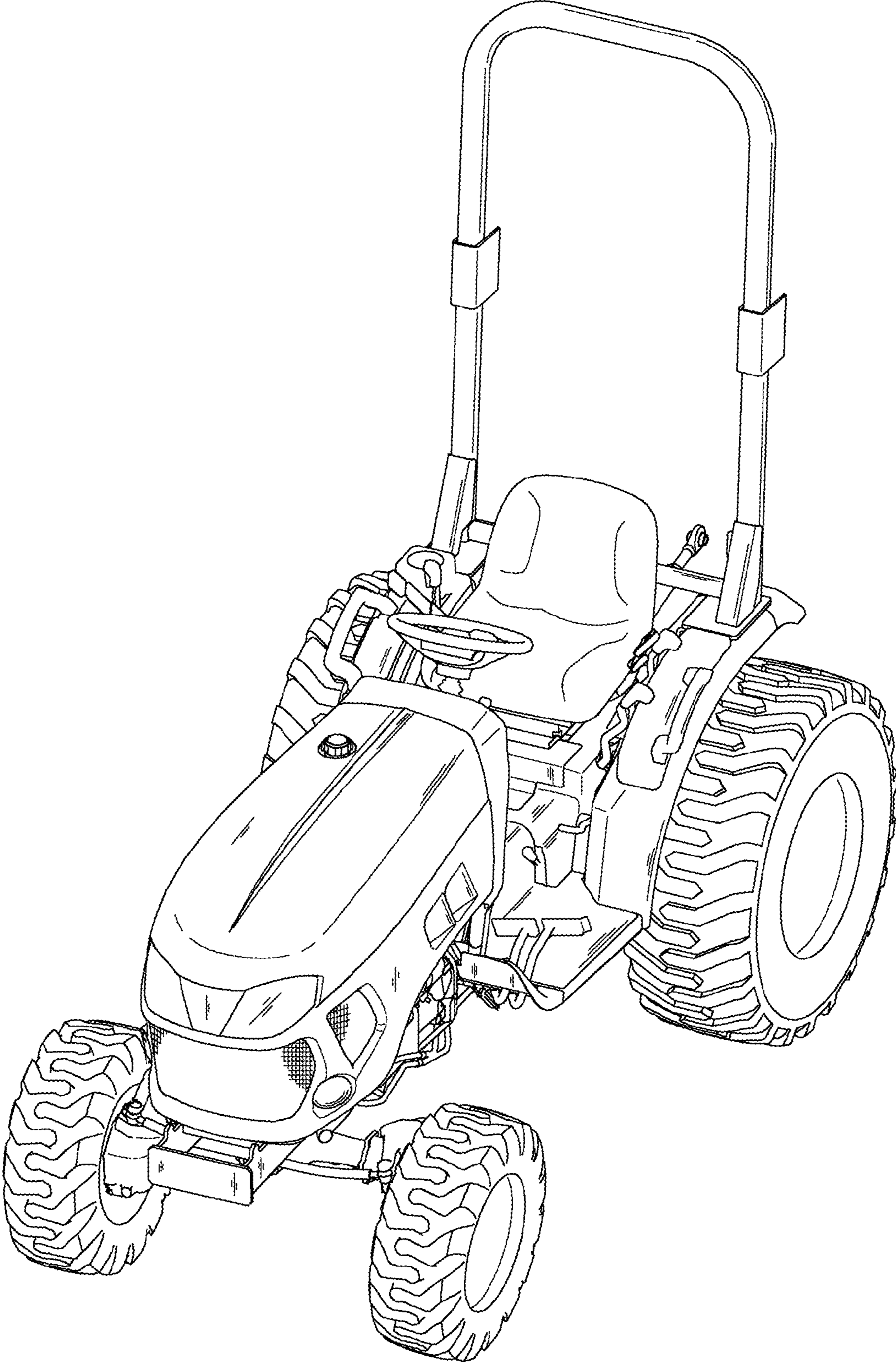


FIG. 1

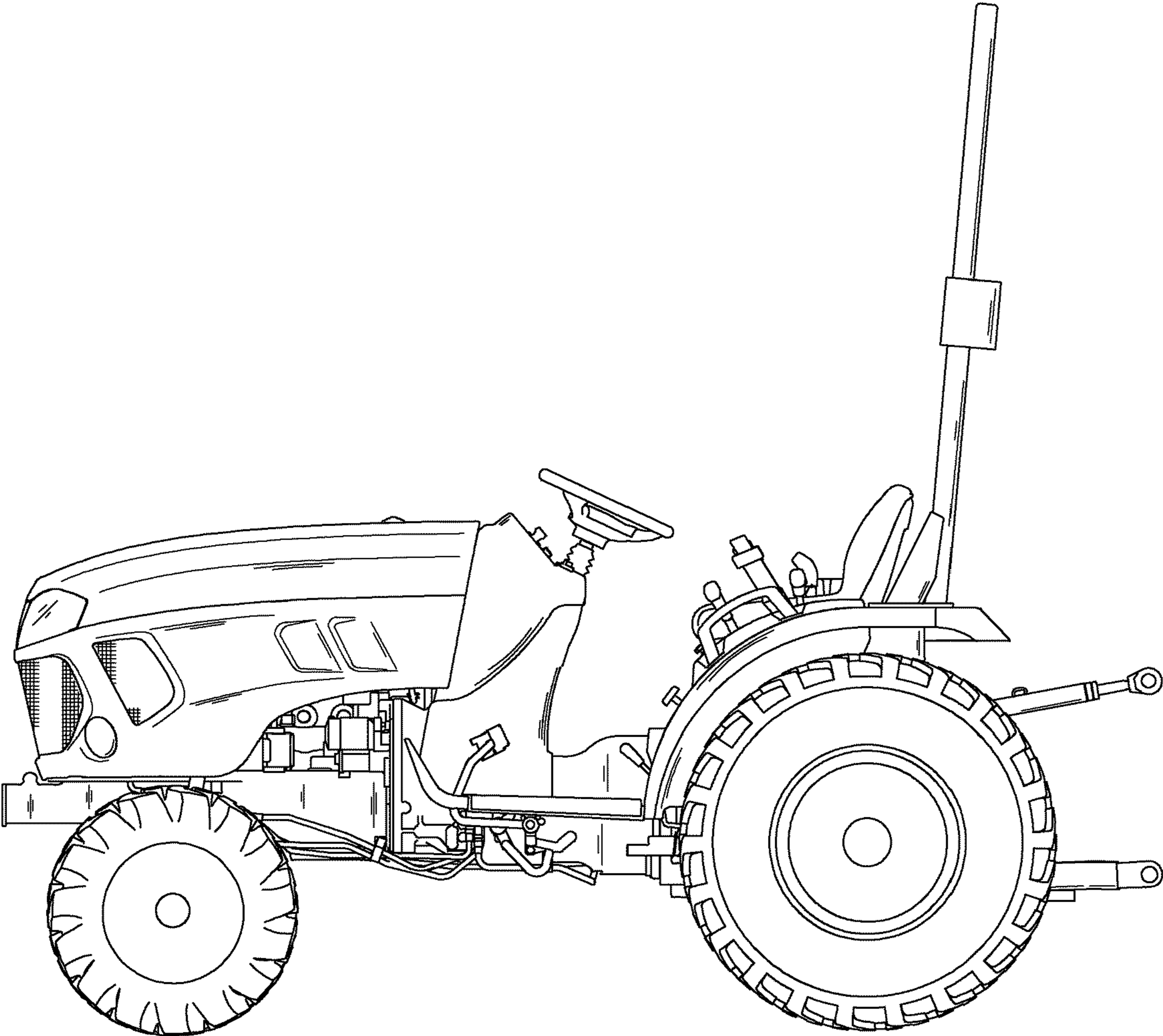


FIG. 2

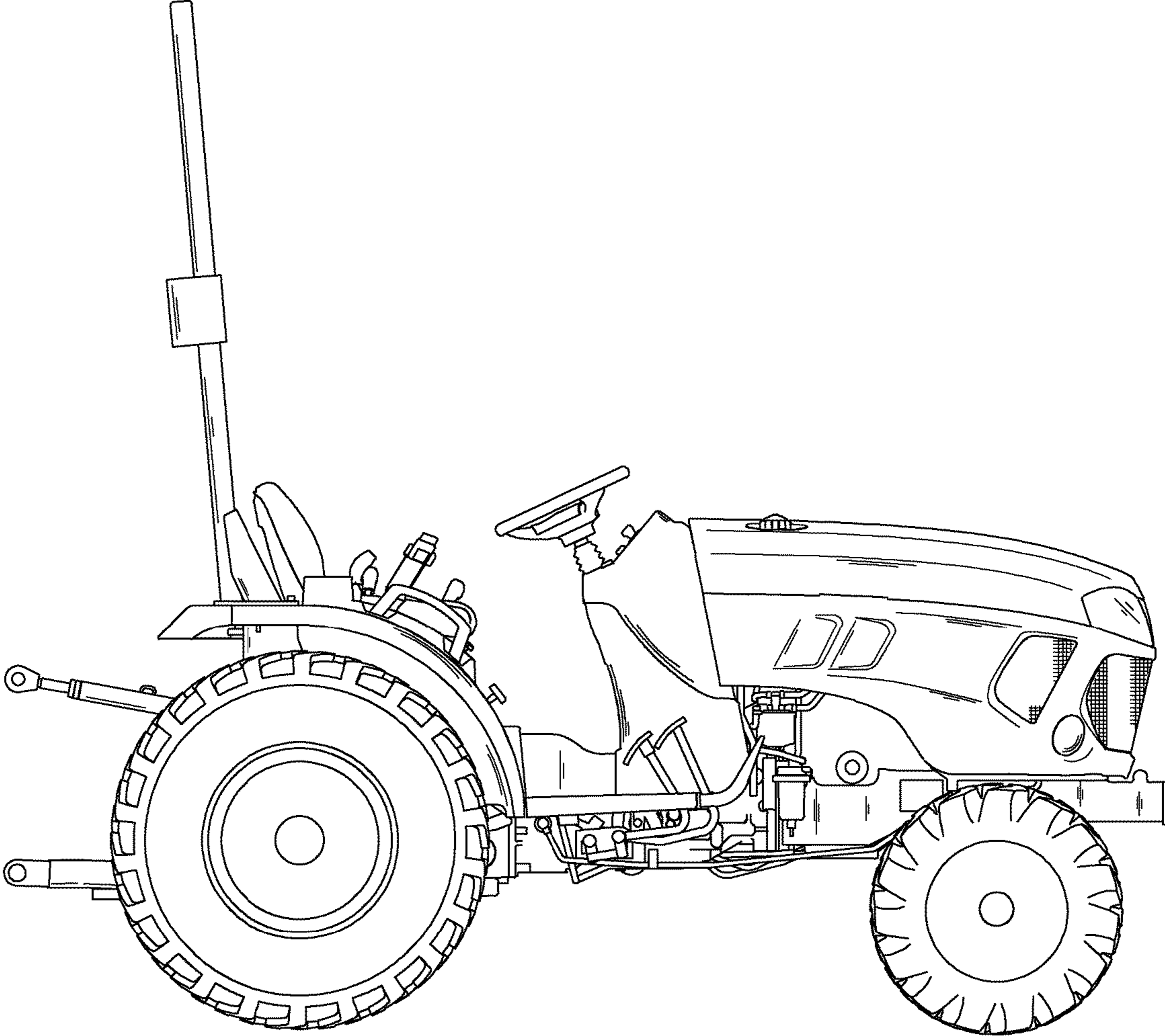


FIG. 3

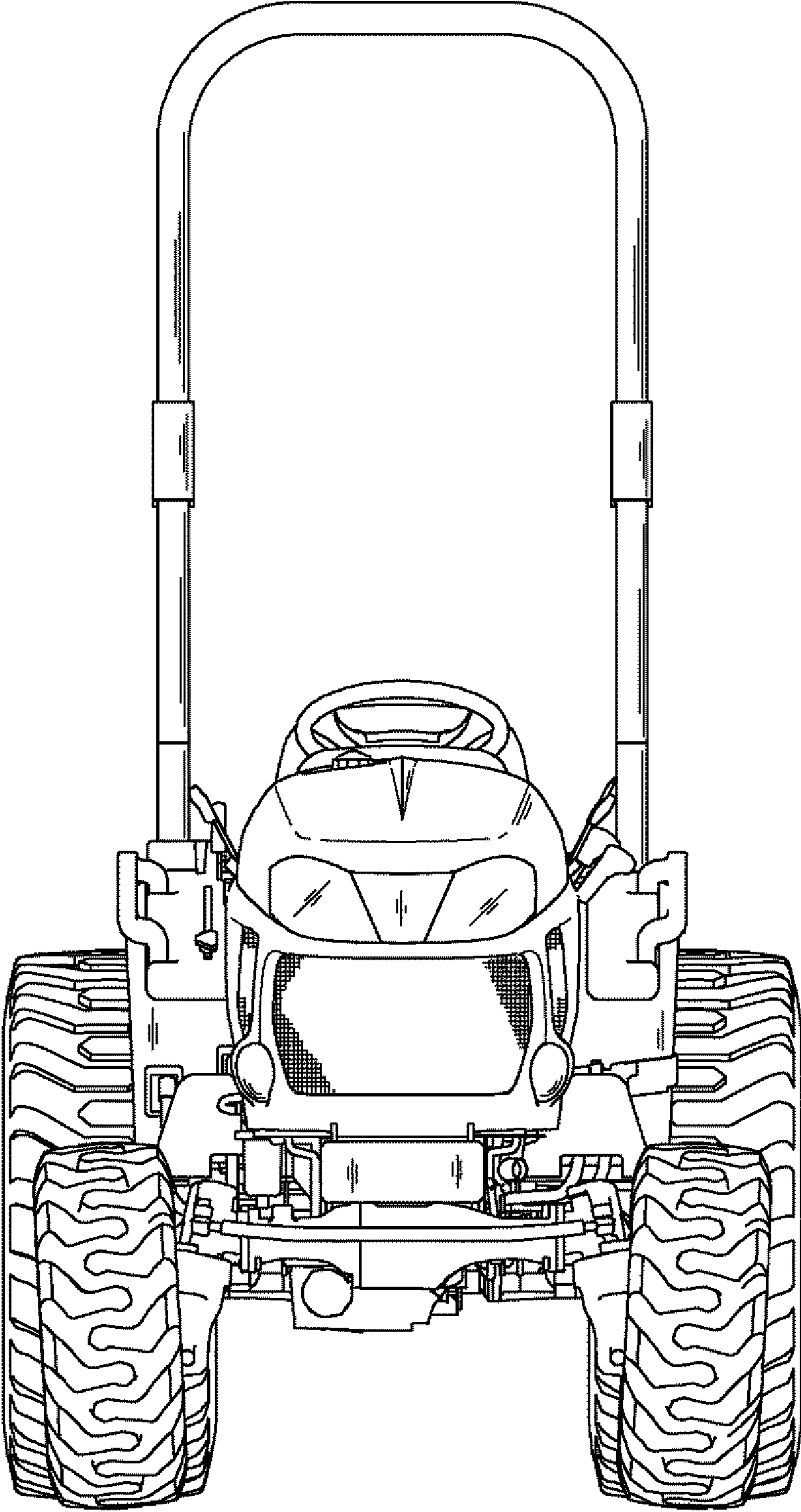
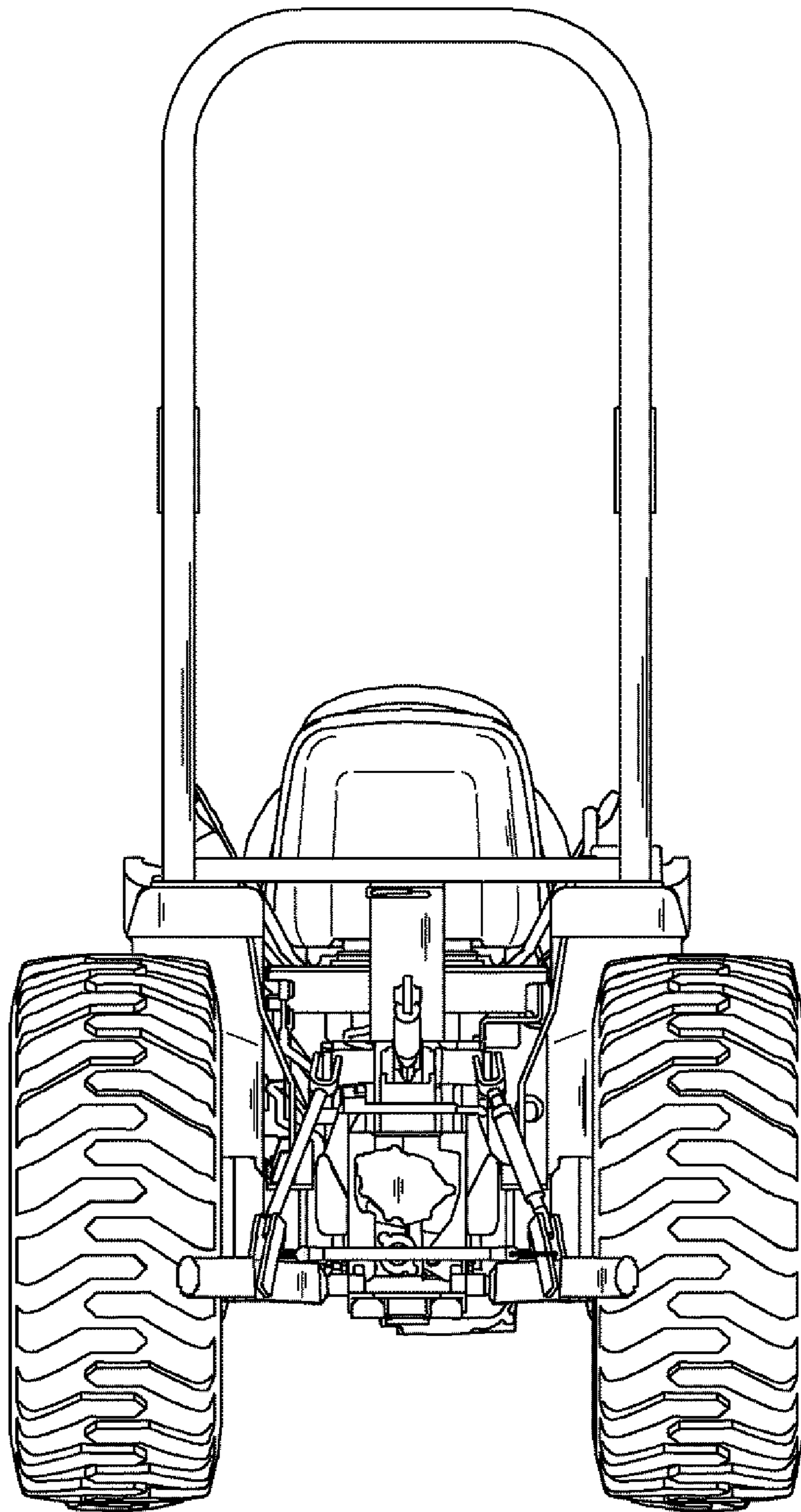


FIG. 4



**FIG. 5**

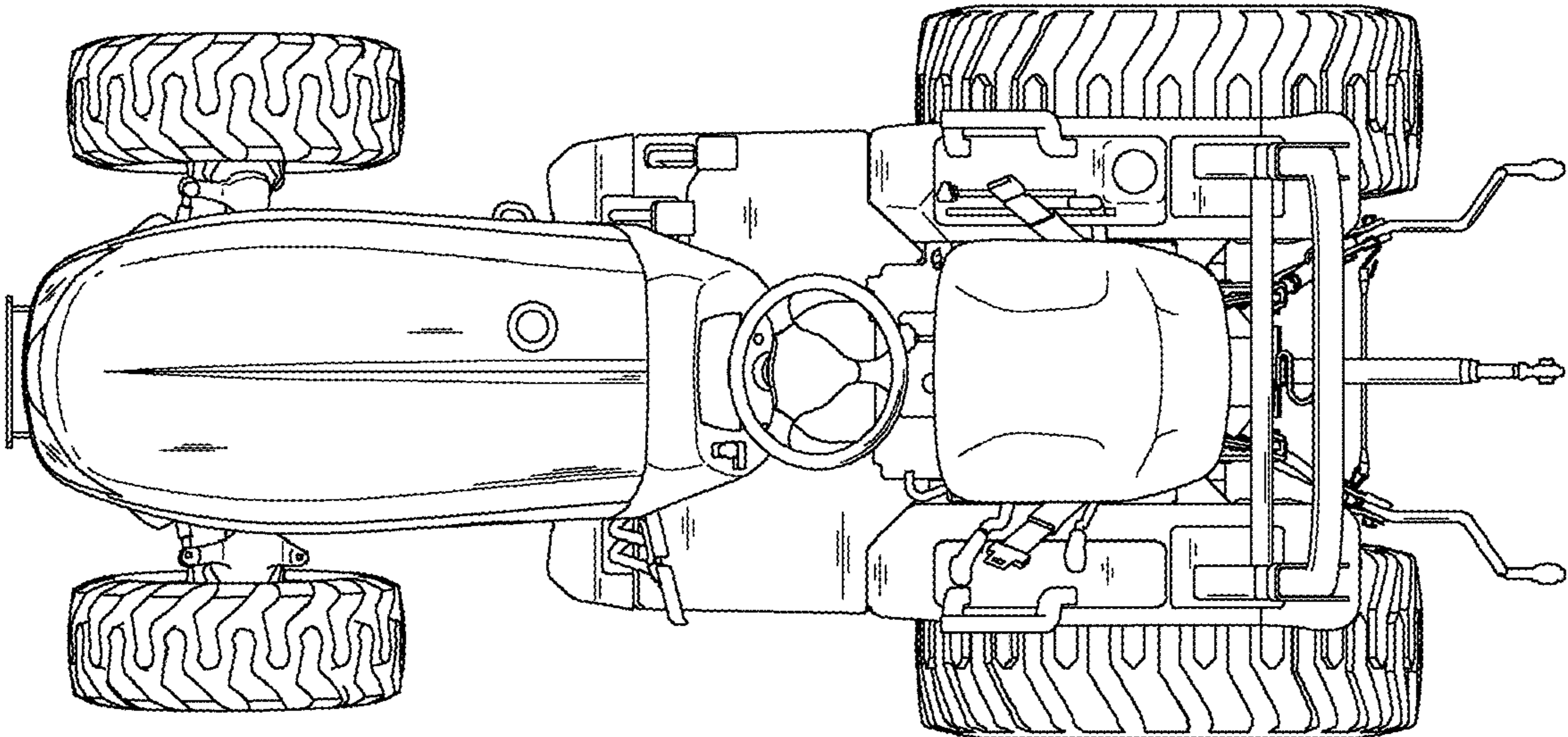


FIG. 6



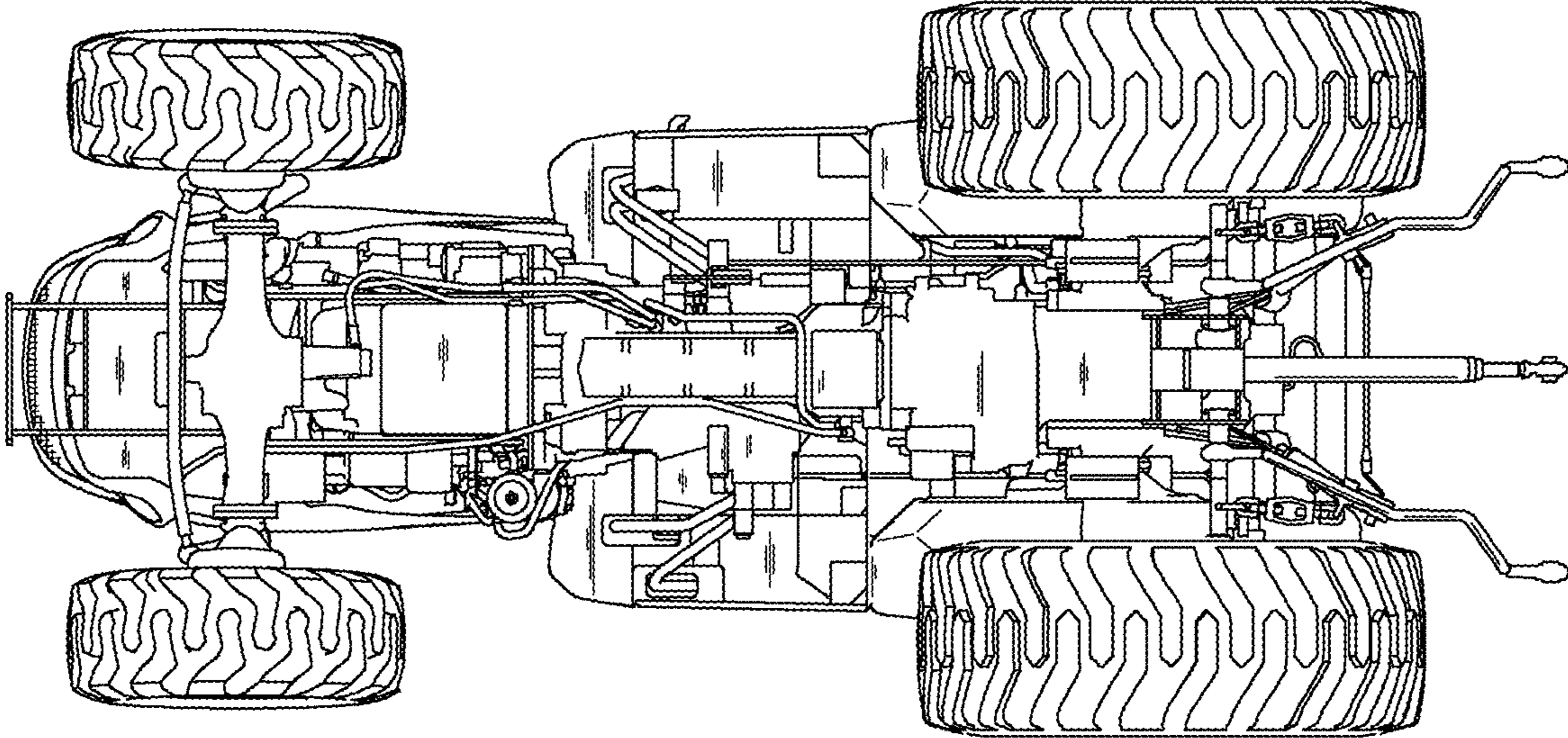


FIG. 7