



US00D605666S

(12) **United States Design Patent**  
**Moser**

(10) **Patent No.:** **US D605,666 S**

(45) **Date of Patent:** **\*\* Dec. 8, 2009**

(54) **PORTABLE AIR COMPRESSOR**

(75) Inventor: **John Moser**, Scottsdale, AZ (US)

(73) Assignee: **Q-Industries, Inc.**, Fort Lauderdale, FL (US)

(\*\*) Term: **14 Years**

(21) Appl. No.: **29/331,346**

(22) Filed: **Jan. 23, 2009**

(51) **LOC (9) Cl.** ..... **15-02**

(52) **U.S. Cl.** ..... **D15/9**

(58) **Field of Classification Search** ..... D15/7-9;  
D23/231, 232, 225; 417/410.1, 359, 415-416,  
417/234, 321, 265, 405

See application file for complete search history.

(56) **References Cited**

**U.S. PATENT DOCUMENTS**

D480,093 S *	9/2003	Attolini	.....	D15/9
D566,131 S *	4/2008	Detering et al.	.....	D15/9
D588,165 S *	3/2009	Steinfels et al.	.....	D15/9
D588,612 S *	3/2009	Steinfels	.....	D15/7
D590,841 S *	4/2009	Muhlenberend	.....	D15/7

\* cited by examiner

*Primary Examiner*—R. Seifert

(74) *Attorney, Agent, or Firm*—Feldman Gale PA; Michael Cesarano

(57) **CLAIM**

The ornamental design for a portable air compressor, as shown and described.

**DESCRIPTION**

FIG. 1 is a front elevational view of the portable air compressor.

FIG. 2 is a left elevational view thereof.

FIG. 3 is a right elevational view thereof.

FIG. 4 is a rear elevational view thereof.

FIG. 5 is a plan view thereof.

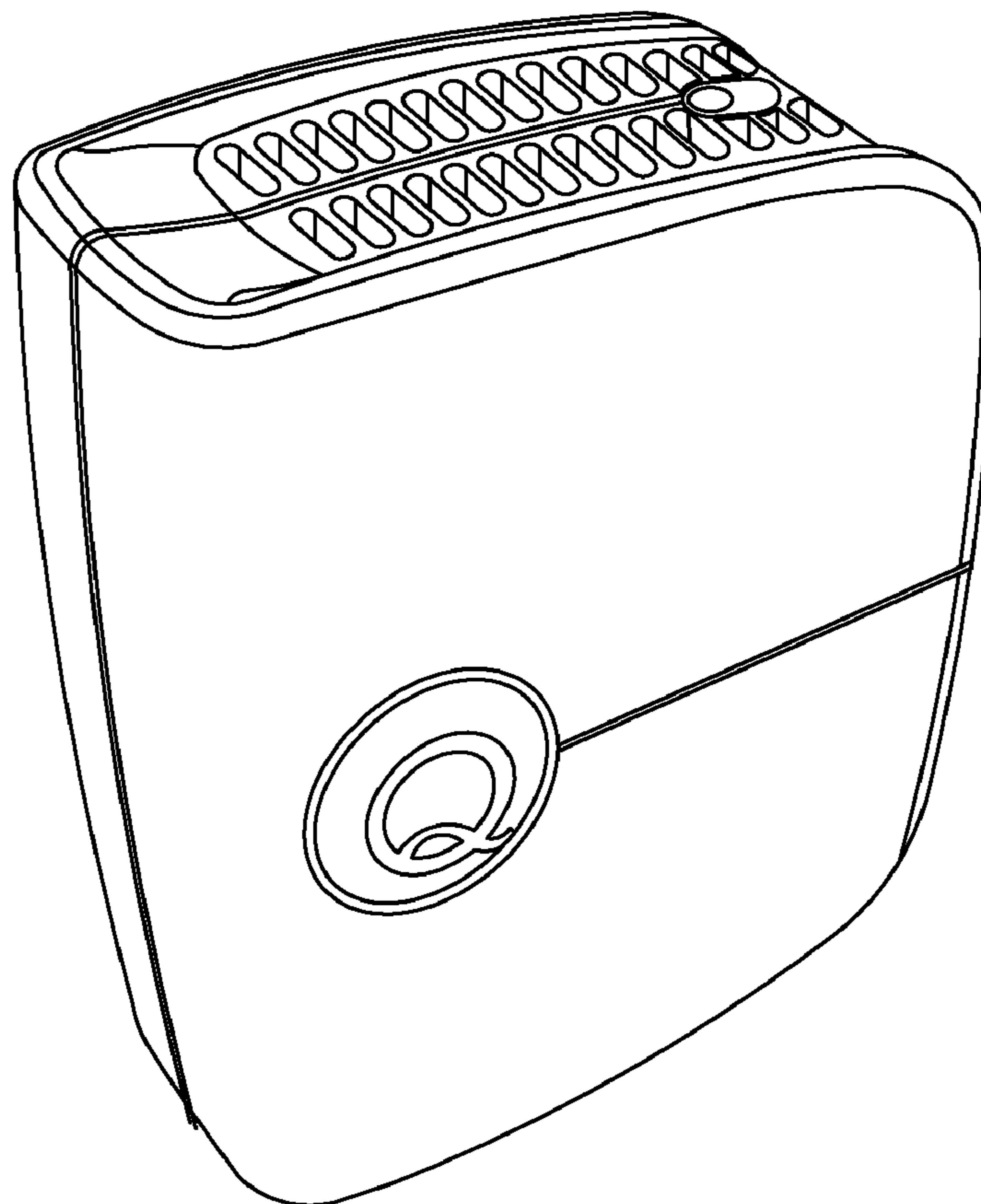
FIG. 6 is a bottom view thereof.

FIG. 7 is a top, rear perspective view thereof; and,

FIG. 8 is a lower, front perspective view thereof.

The “portable air compressor” design is characterized as a portable air compressor for use in inflating tires such as automobile and bicycle tires as well as for use in other inflatable items such as mattresses.

**1 Claim, 5 Drawing Sheets**



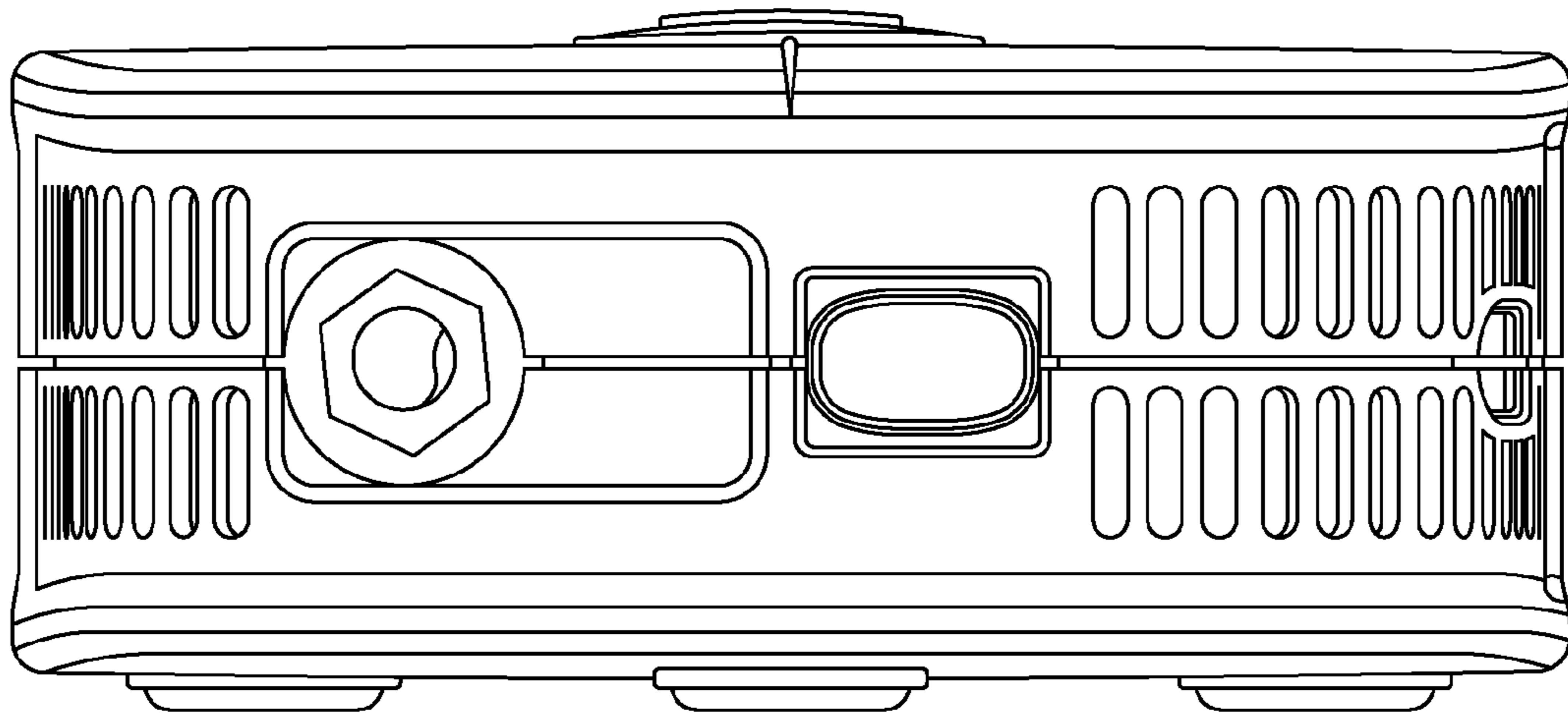


FIG. 1

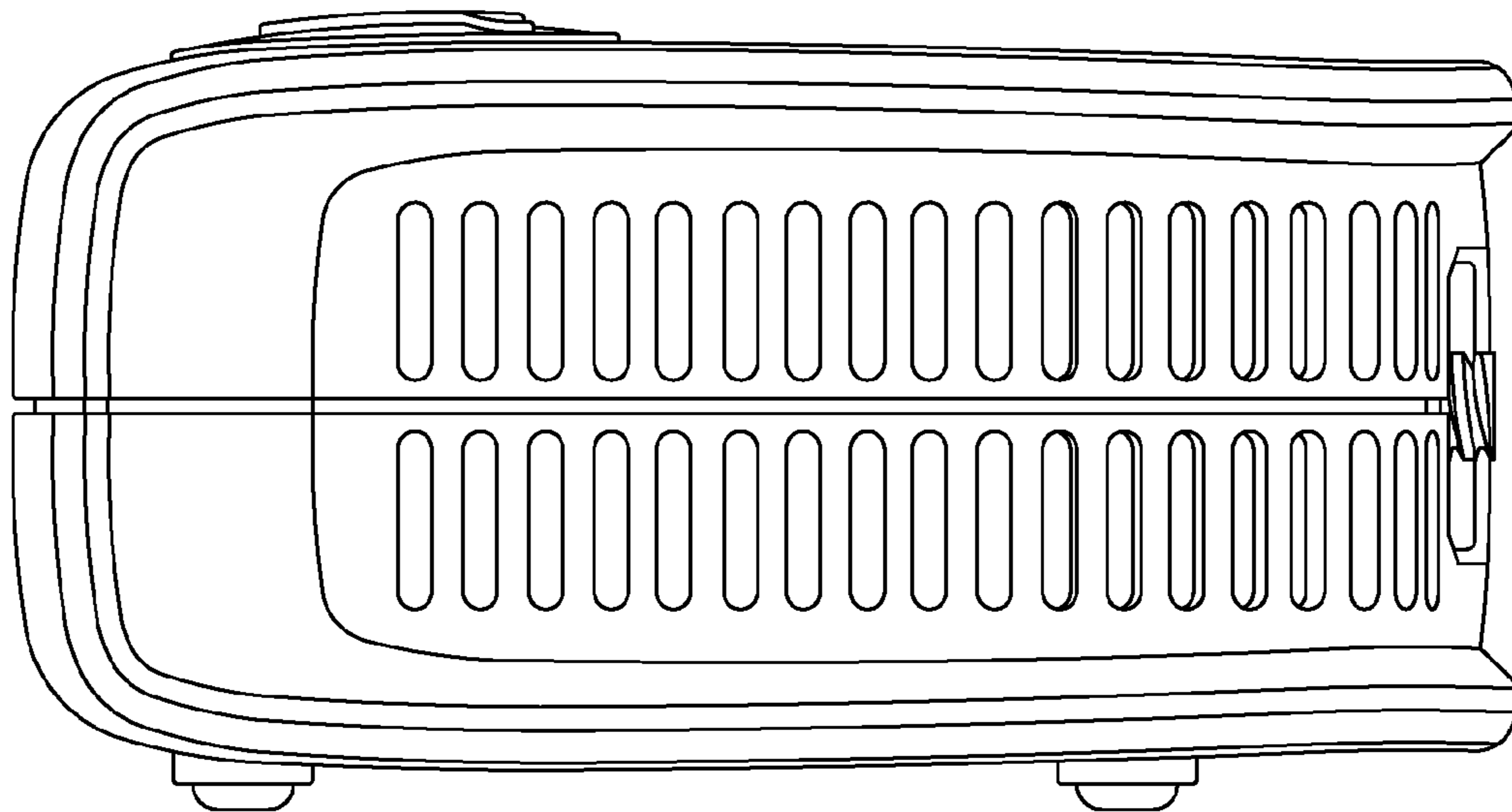


FIG. 2

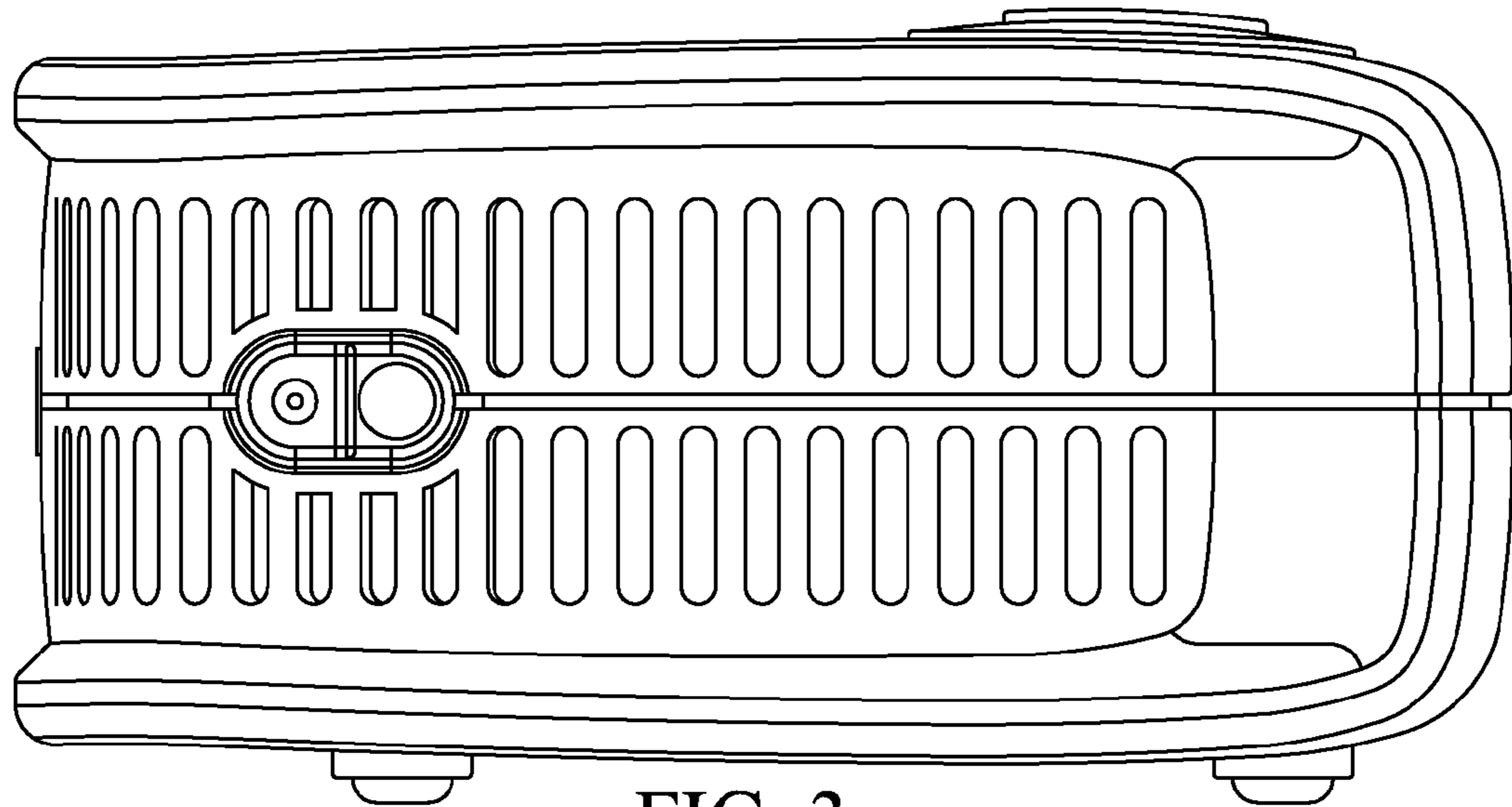


FIG. 3

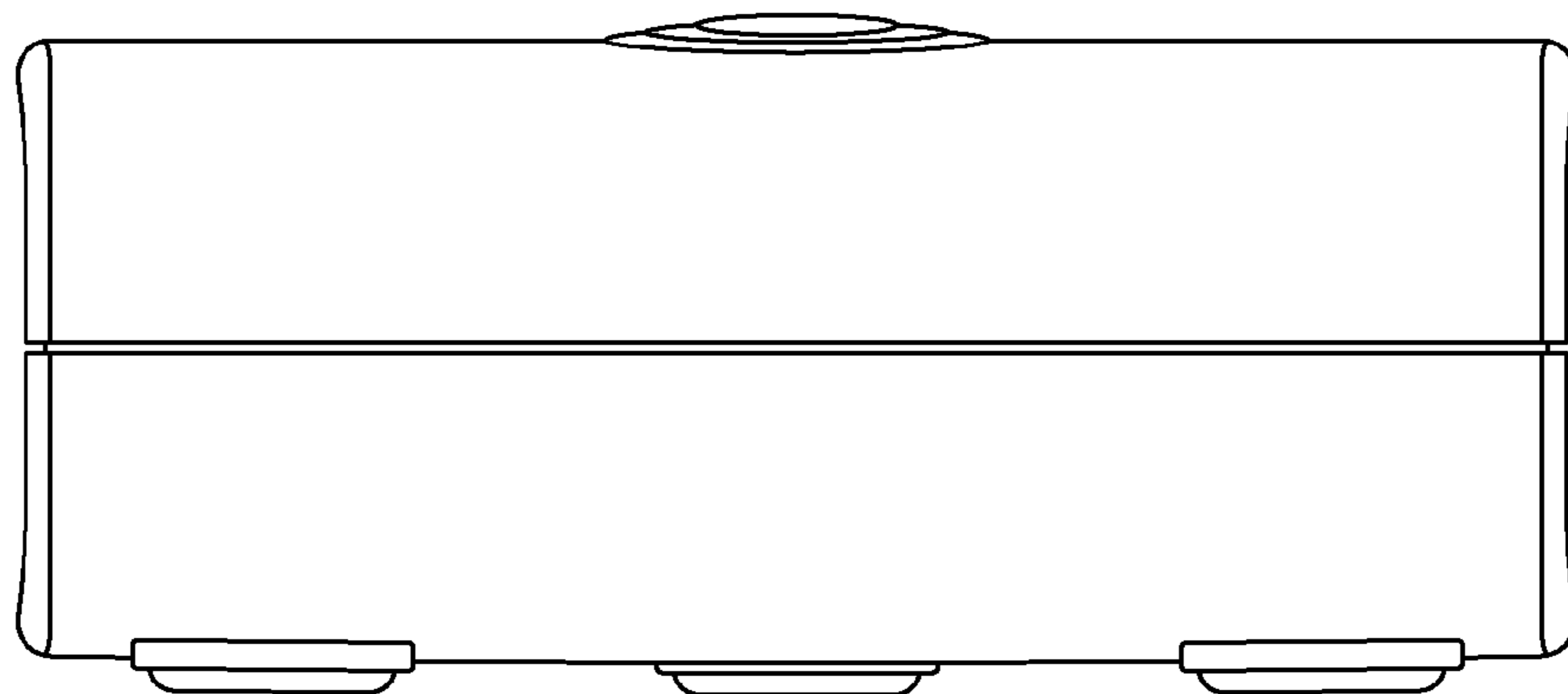


FIG. 4

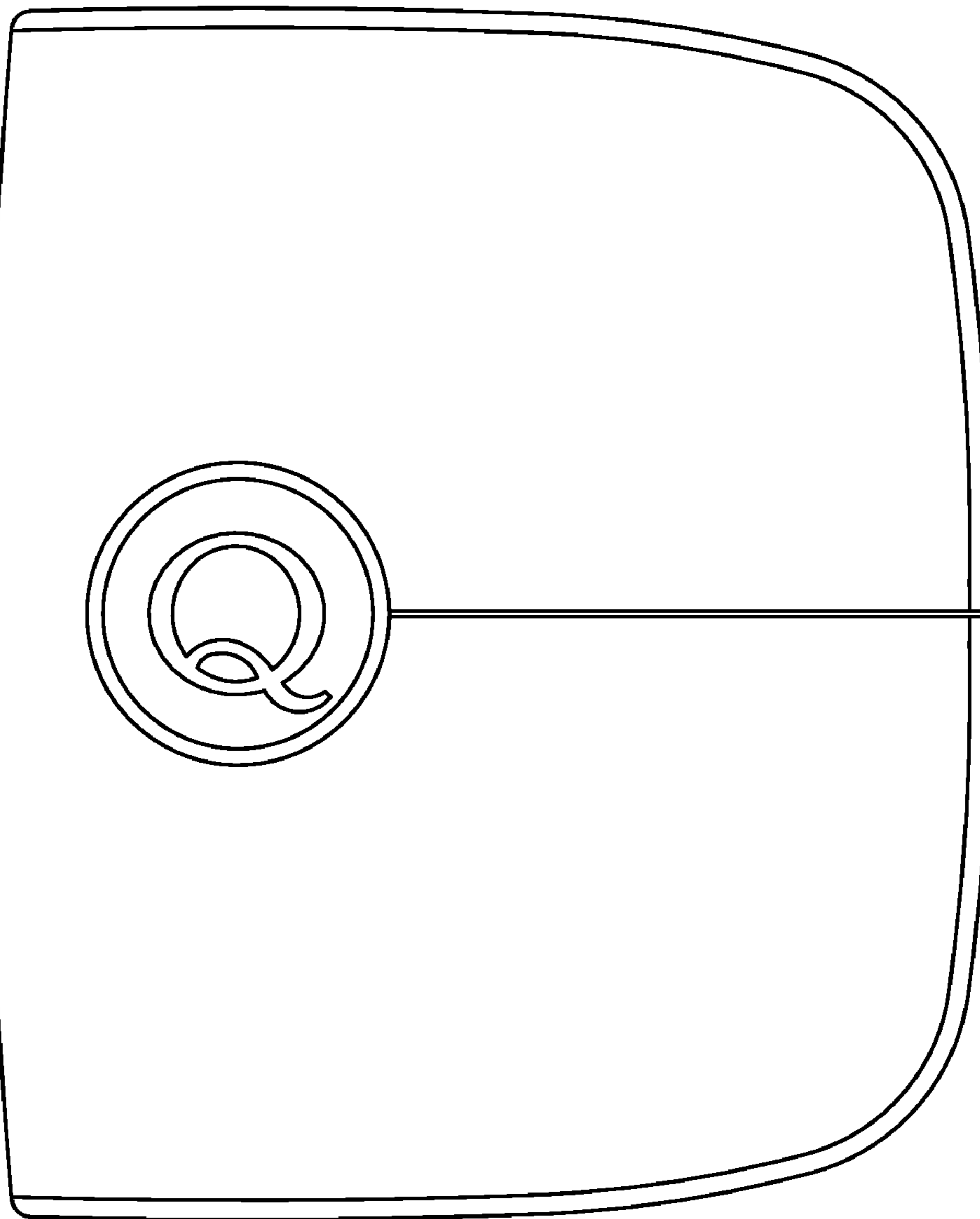


FIG. 5

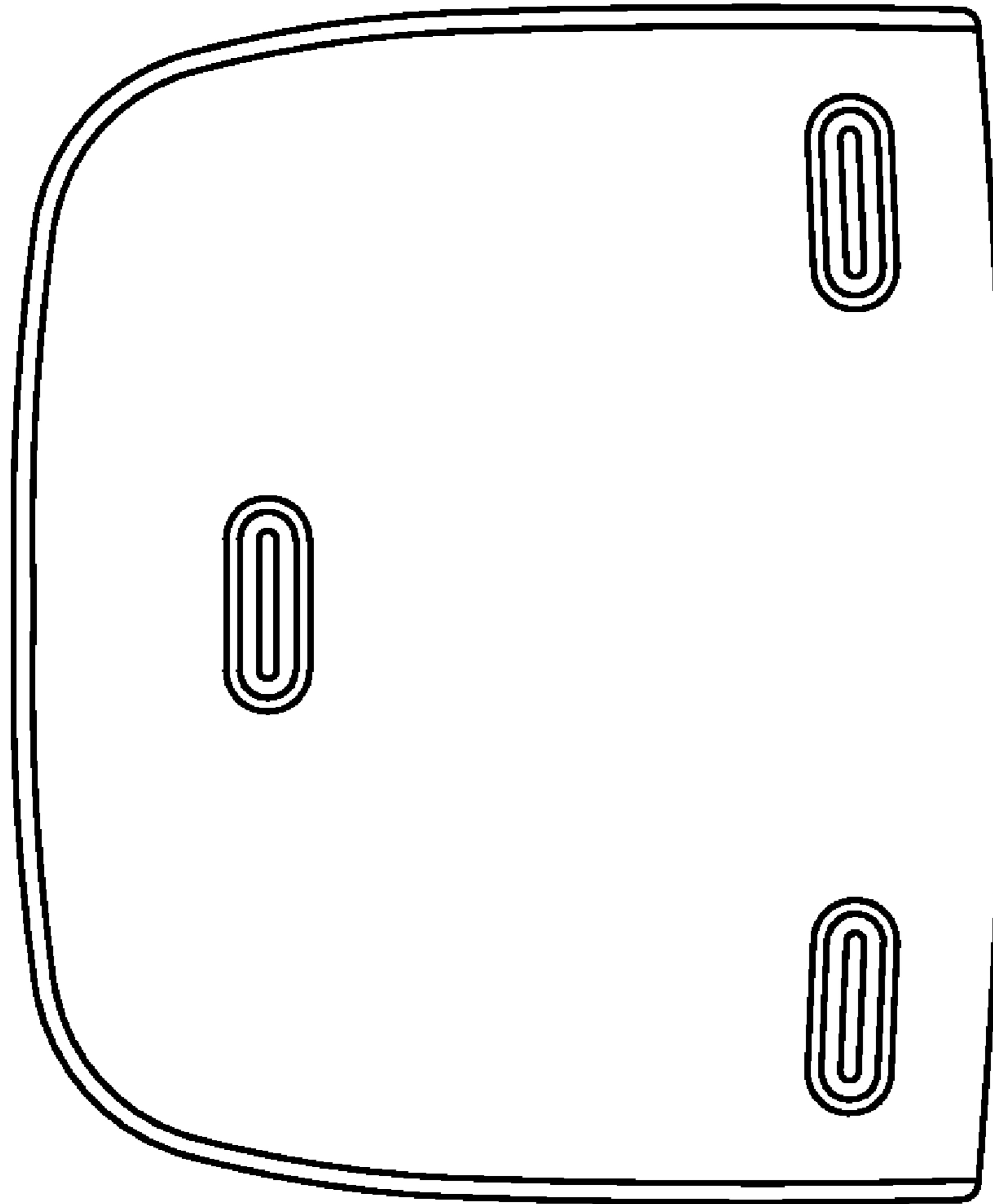


FIG. 6

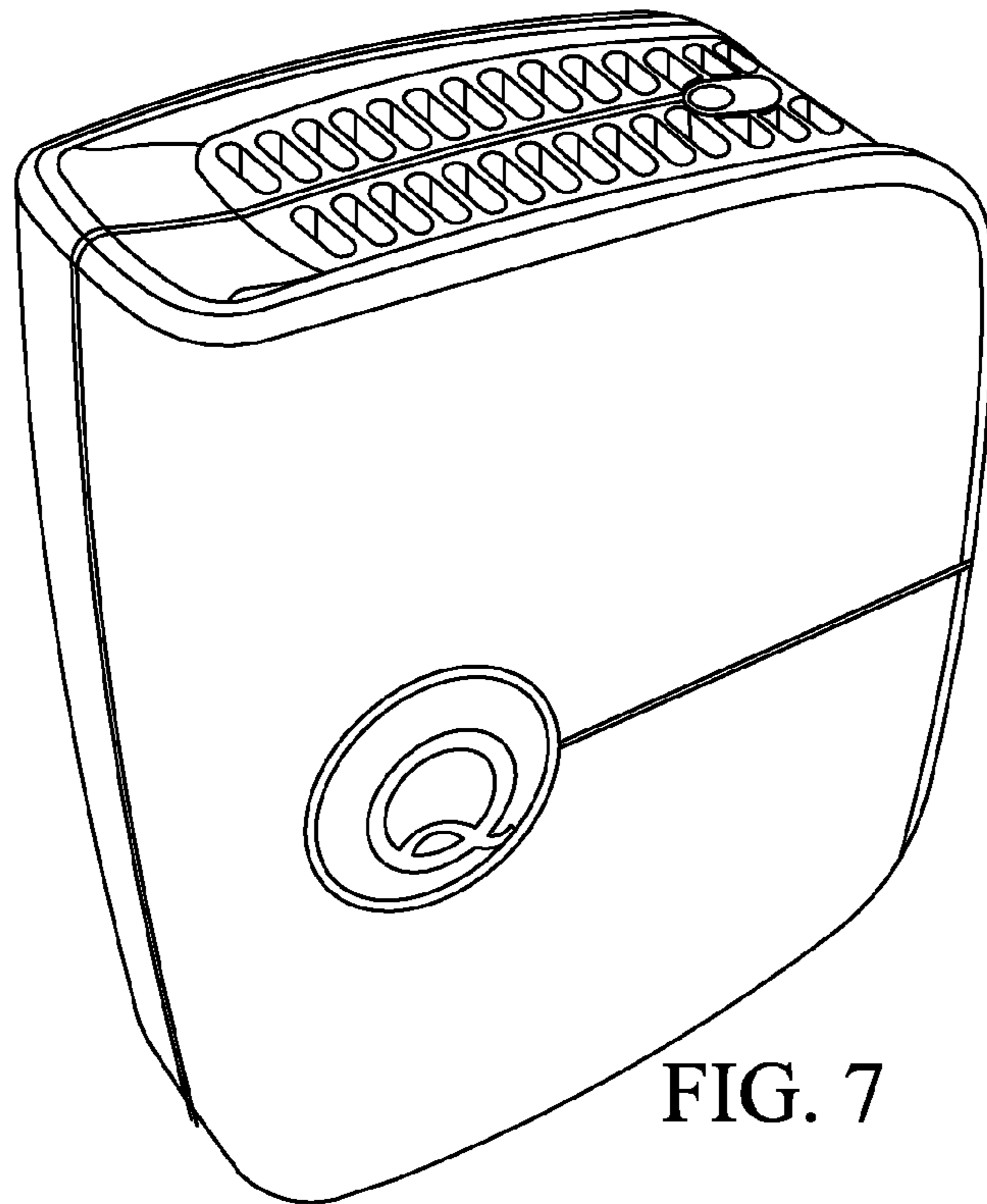


FIG. 7

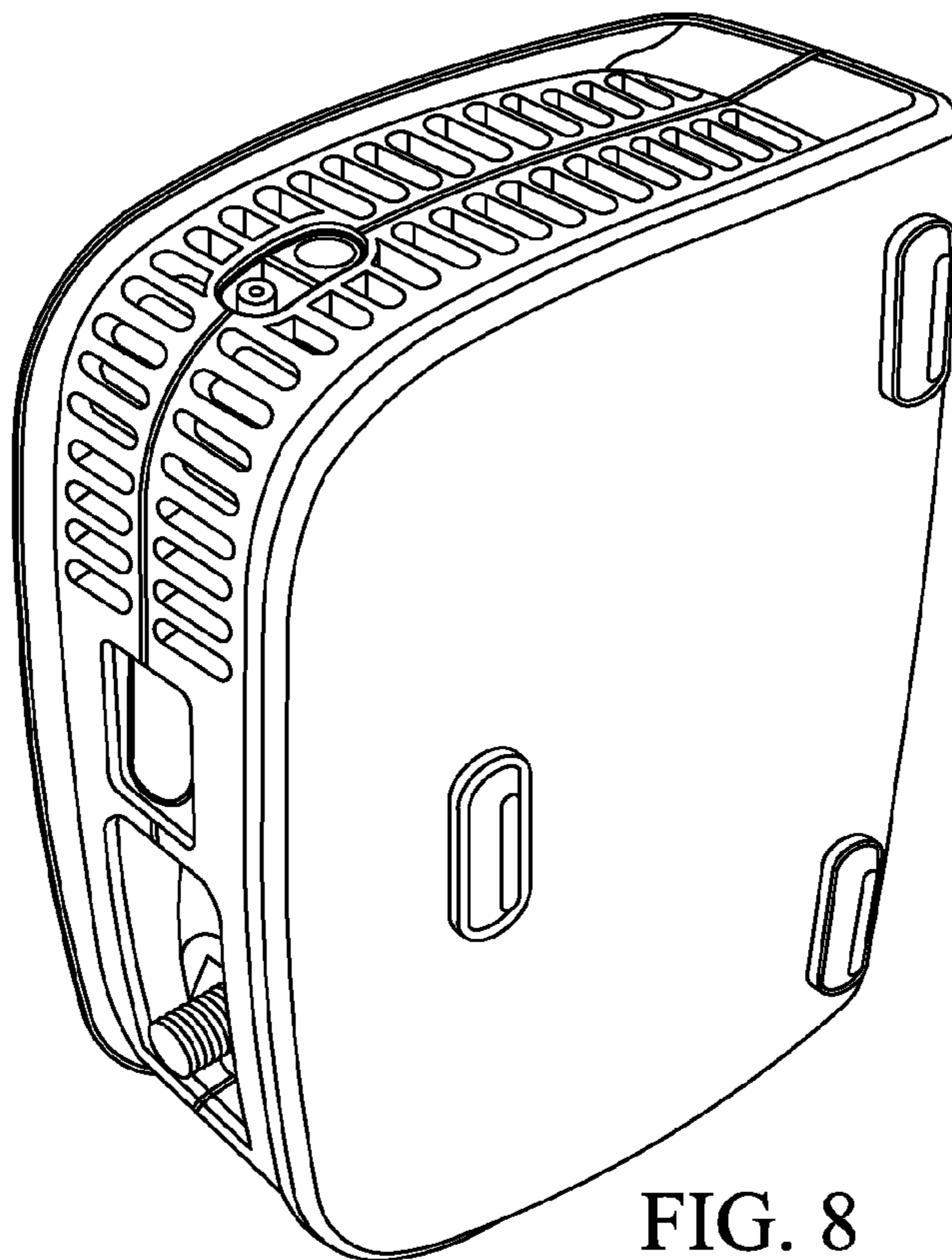


FIG. 8