



US00D605663S

(12) **United States Design Patent**
Hopper

(10) **Patent No.:** **US D605,663 S**

(45) **Date of Patent:** **** Dec. 8, 2009**

(54) **HIGH VOLUME LOW PRESSURE SPRAY PUMP**

D585,460 S * 1/2009 Plunk et al. D15/9

* cited by examiner

(75) Inventor: **Timothy George Hopper**, Surrey (GB)

Primary Examiner—R. Seifert

(73) Assignee: **Earlex Limited**, Guildford, Surrey (GB)

(74) *Attorney, Agent, or Firm*—Alfred A. Fressola; Ware, Fressola, Van Der Sluys & Adolphson LLP

(**) Term: **14 Years**

(21) Appl. No.: **29/291,914**

(22) Filed: **Sep. 19, 2007**

(57) **CLAIM**

The ornamental design for the high volume low pressure spray pump, as shown and described.

(51) **LOC (9) Cl.** **15-01**

(52) **U.S. Cl.** **D15/7**

(58) **Field of Classification Search** D15/7-9;
D23/231, 232, 225; 417/410.1, 359, 415-416,
417/234, 321, 265, 405

See application file for complete search history.

DESCRIPTION

FIG. 1 is a isometric view of the high volume low pressure spray pump showing my new design;

FIG. 2 is a top view;

FIG. 3 is a bottom view;

FIG. 4 is a left side view;

FIG. 5 is a right side view;

FIG. 6 is a front side view; and,

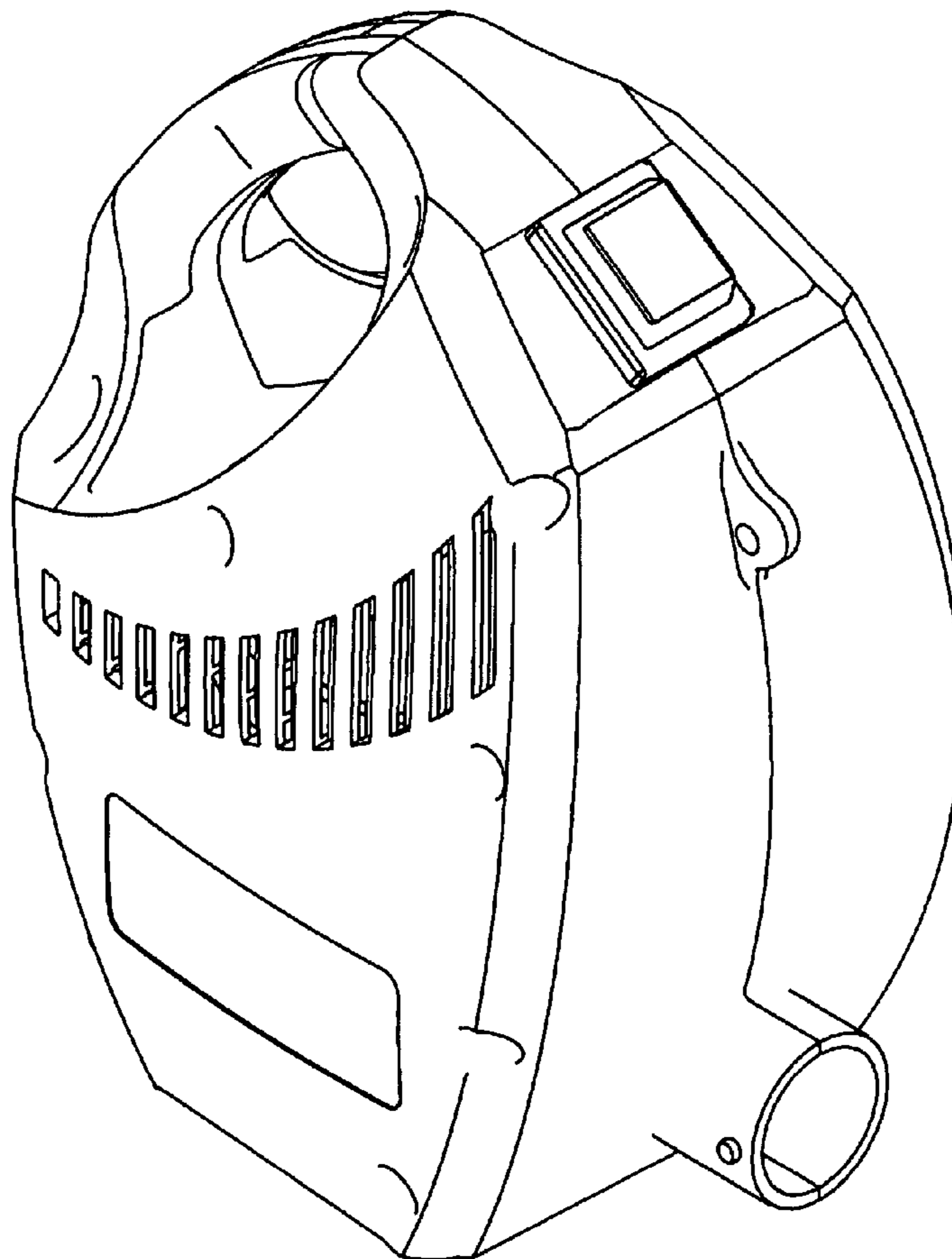
FIG. 7 is a back side view.

(56) **References Cited**

U.S. PATENT DOCUMENTS

- D352,947 S * 11/1994 Colin et al. D15/7
- D533,880 S * 12/2006 Chen D15/7
- D538,825 S * 3/2007 Chen Han D15/9
- D578,551 S * 10/2008 Bonzer D15/9

1 Claim, 7 Drawing Sheets



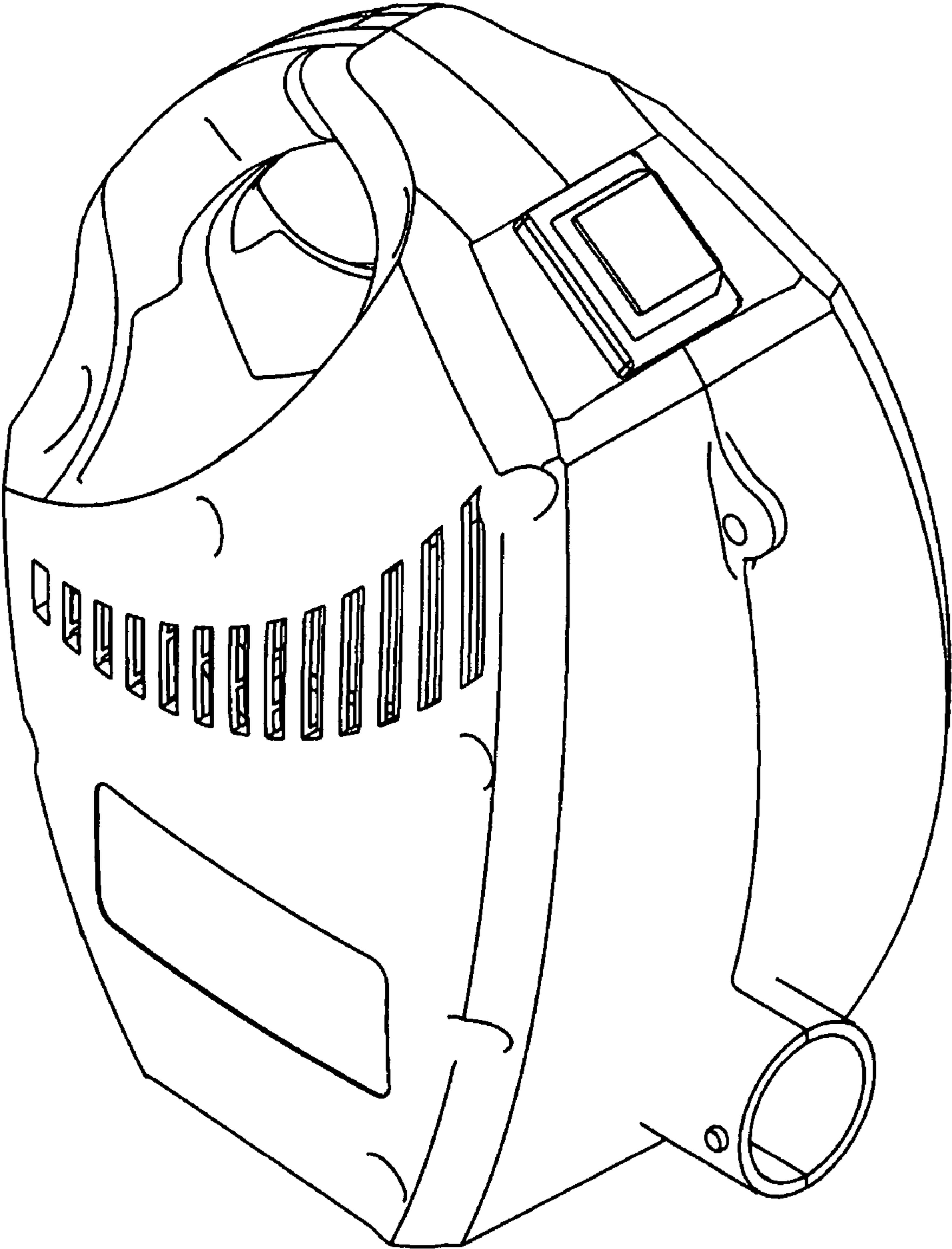


FIG. 1

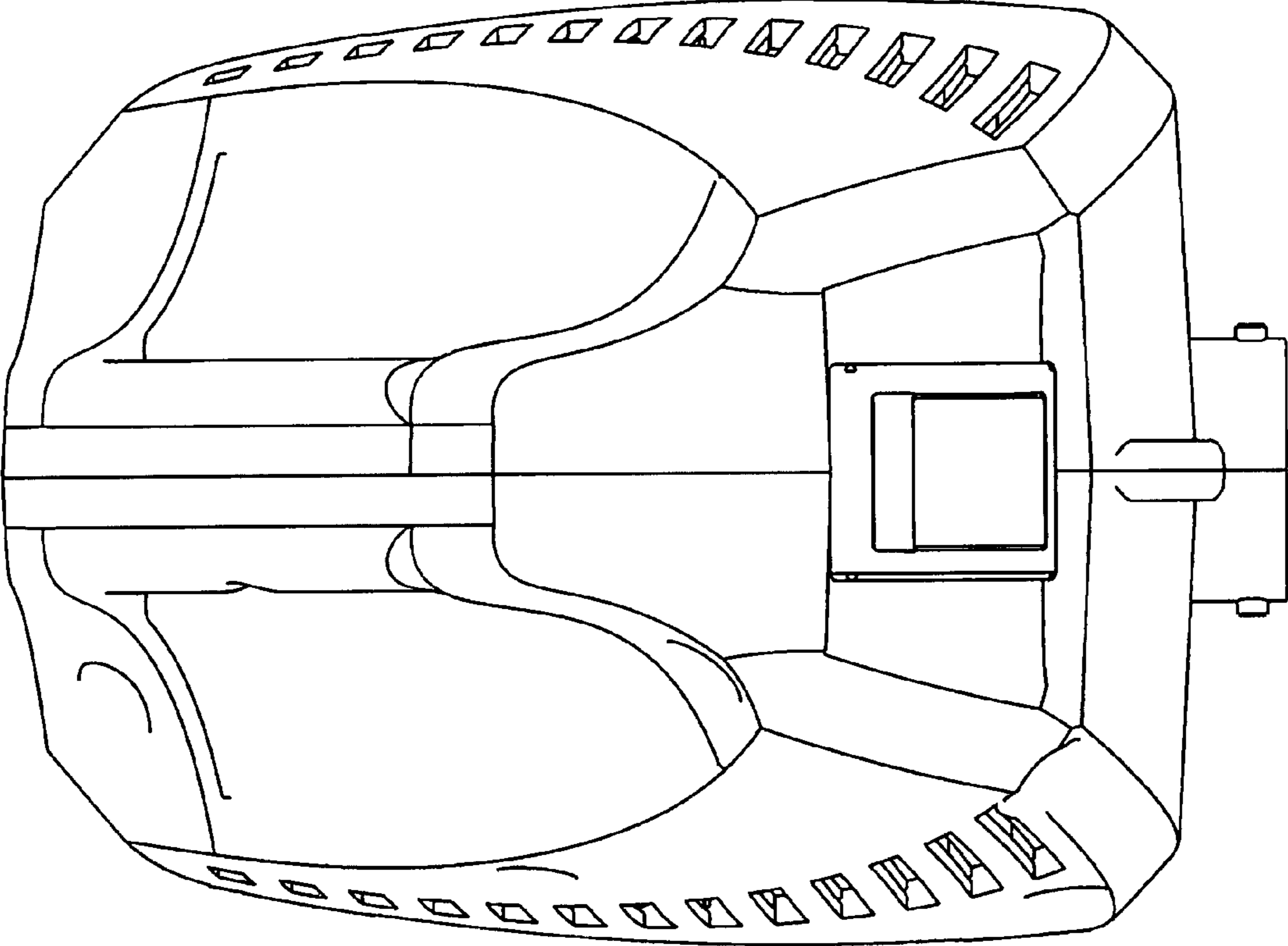


FIG. 2

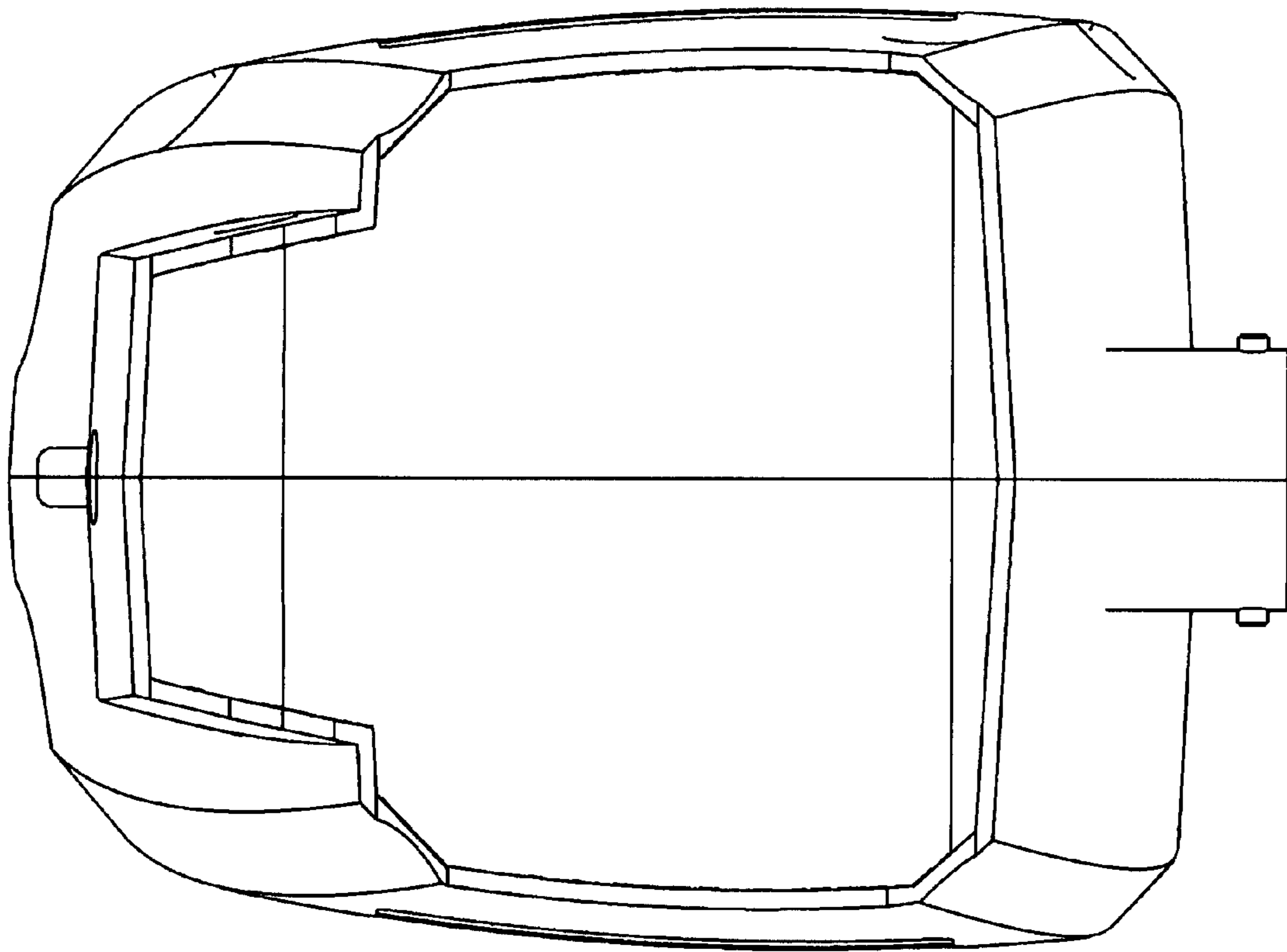


FIG. 3

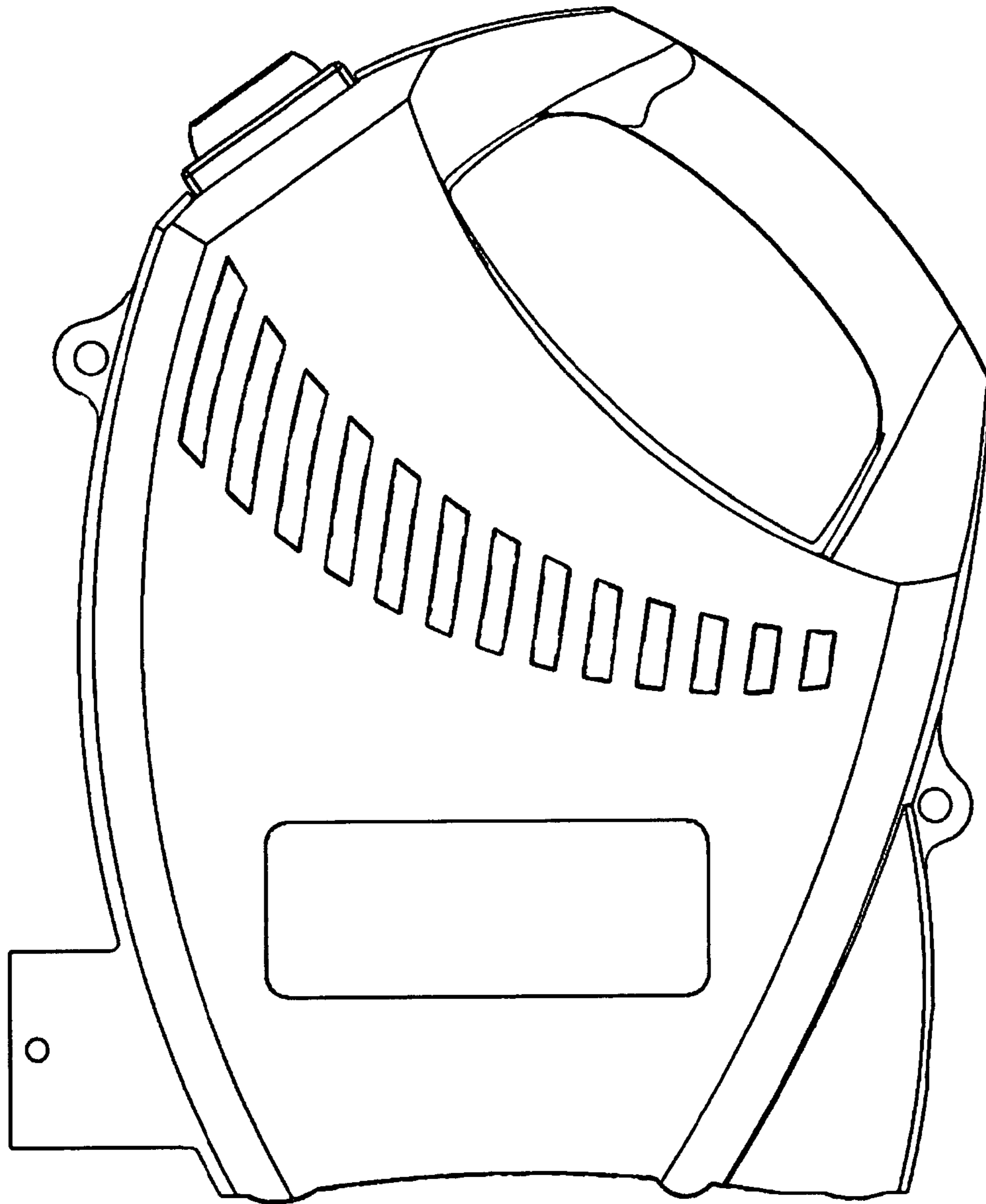


FIG. 4

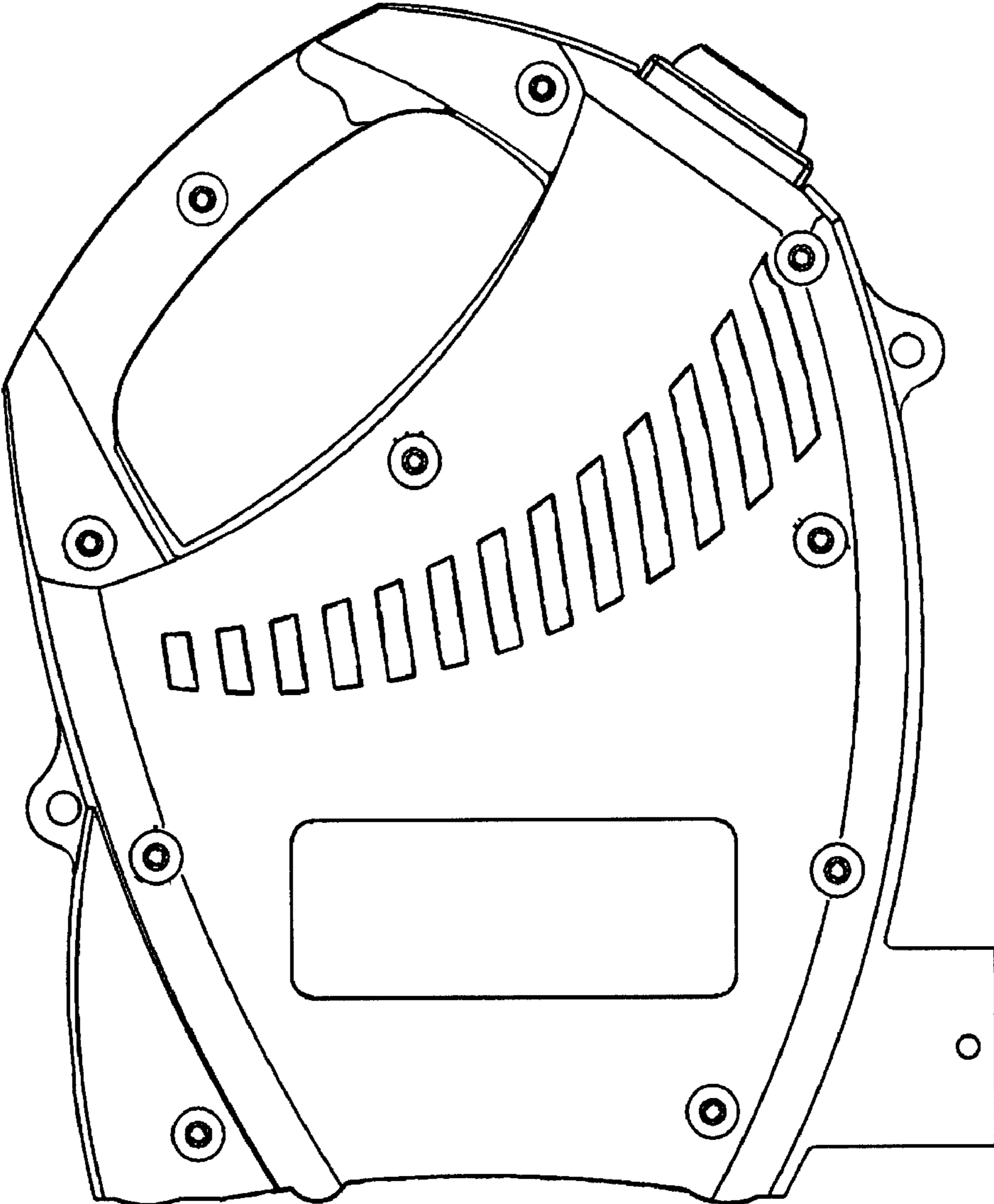


FIG. 5

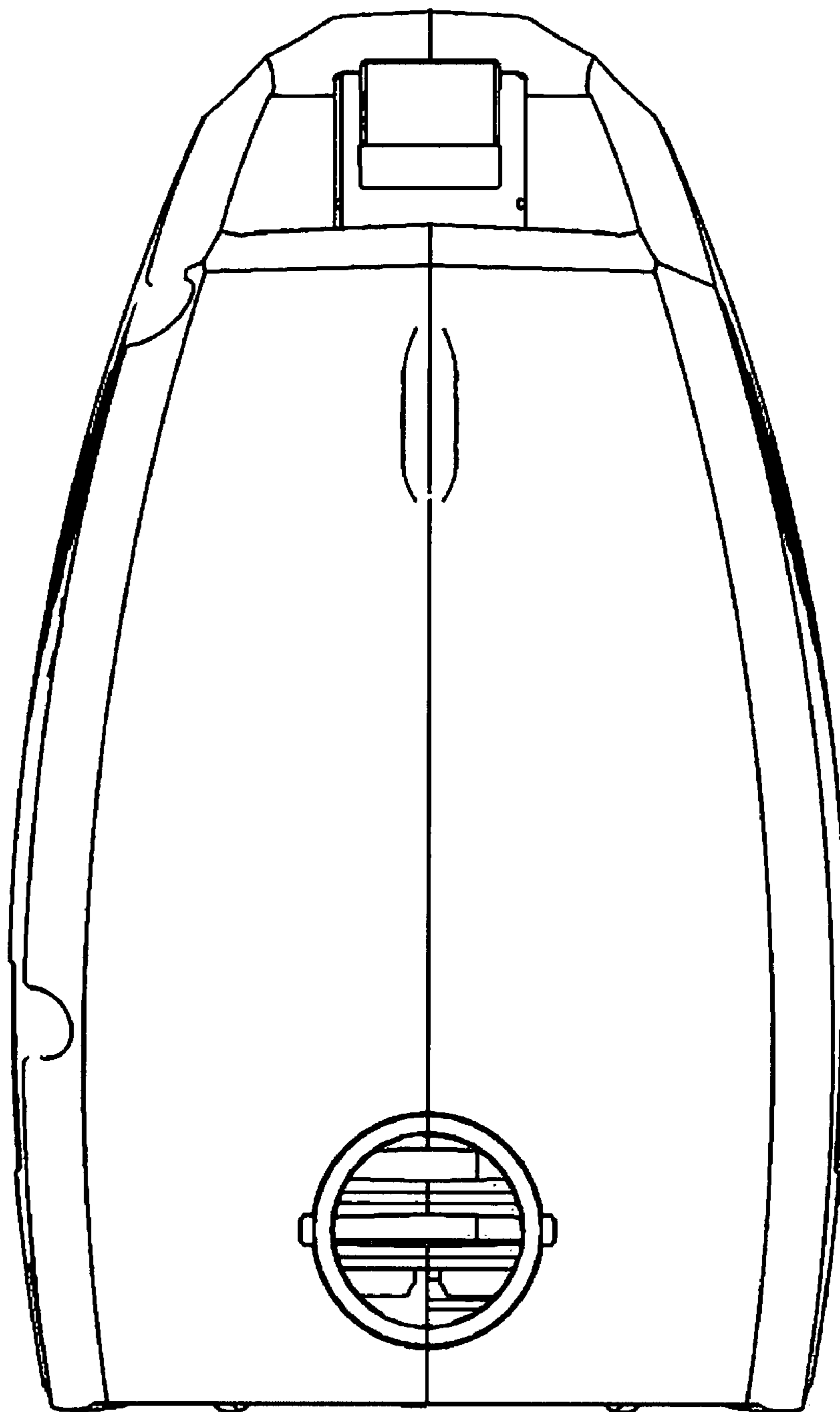


FIG. 6

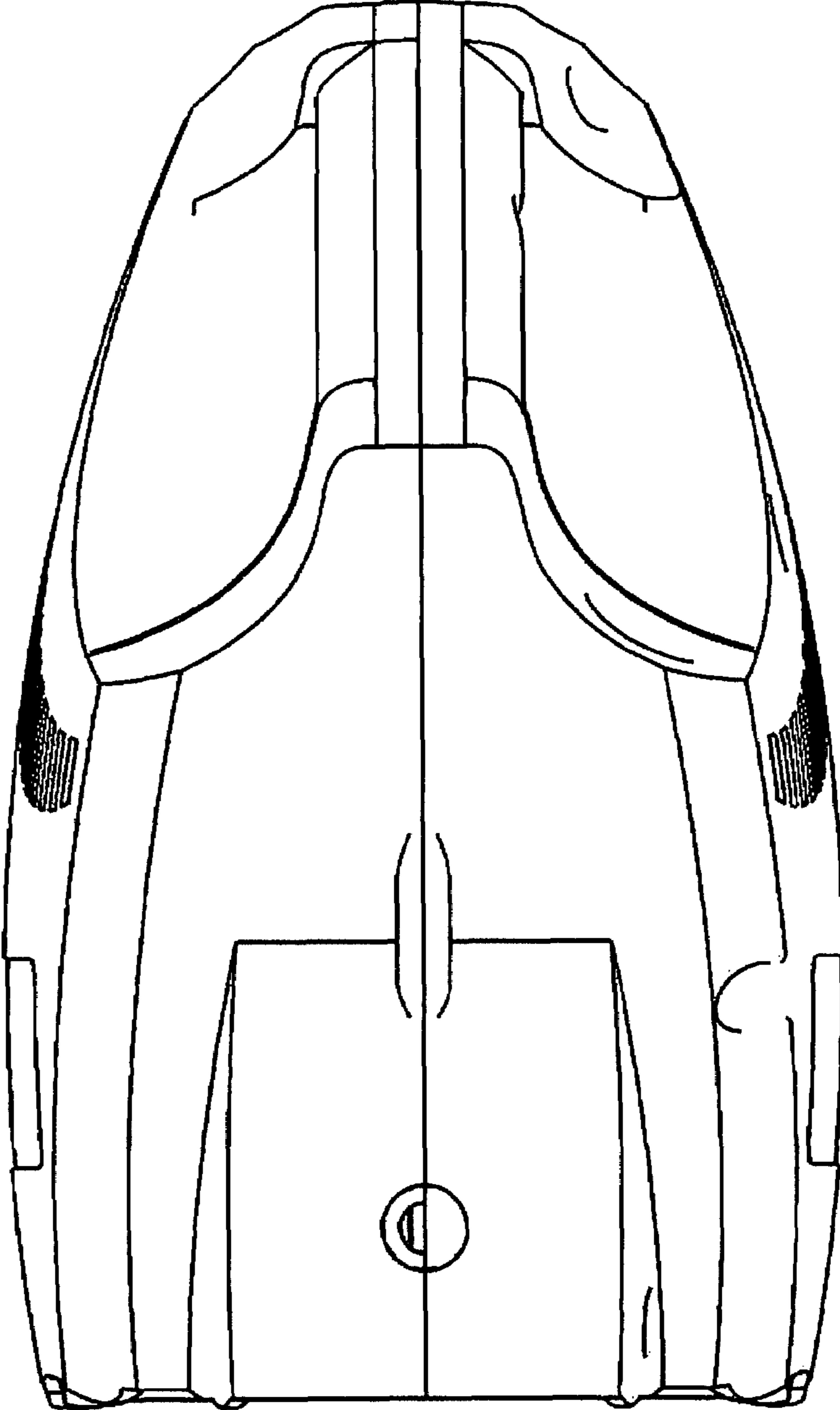


FIG. 7