



US00D605662S

(12) **United States Design Patent**
Miura et al.

(10) **Patent No.:** **US D605,662 S**
(45) **Date of Patent:** **** Dec. 8, 2009**

(54) **COIL UNIT**

(75) Inventors: **Hideki Miura**, Tokyo (JP); **Takashi Nagasaka**, Tokyo (JP)

(73) Assignee: **TDK Corporation**, Tokyo (JP)

(**) Term: **14 Years**

(21) Appl. No.: **29/300,312**

(22) Filed: **Mar. 11, 2008**

(30) **Foreign Application Priority Data**

Nov. 20, 2007 (JP) 2007-031963

(51) **LOC (9) Cl.** **15-01**

(52) **U.S. Cl.** **D15/5**

(58) **Field of Classification Search** D15/1,
D15/3, 5; 336/90, 96; 343/713, 788
See application file for complete search history.

(56) **References Cited**

U.S. PATENT DOCUMENTS

7,034,756 B2 * 4/2006 Fujii et al. 343/713

7,427,963 B2 * 9/2008 Moriya 343/788

2007/0046413 A1 3/2007 Yamashita et al.

FOREIGN PATENT DOCUMENTS

JP D1235146 4/2005

JP A-2006-066470 3/2006

* cited by examiner

Primary Examiner—Lisa P Lichtenstein

(74) *Attorney, Agent, or Firm*—Oliff & Berridge, PLC

(57) **CLAIM**

The ornamental design for coil unit, as shown and described.

DESCRIPTION

FIG. 1 is a perspective view of coil unit showing our new design;

FIG. 2 is a left side elevation view, with the right side elevation view being a mirror image of the left side elevation view thereof;

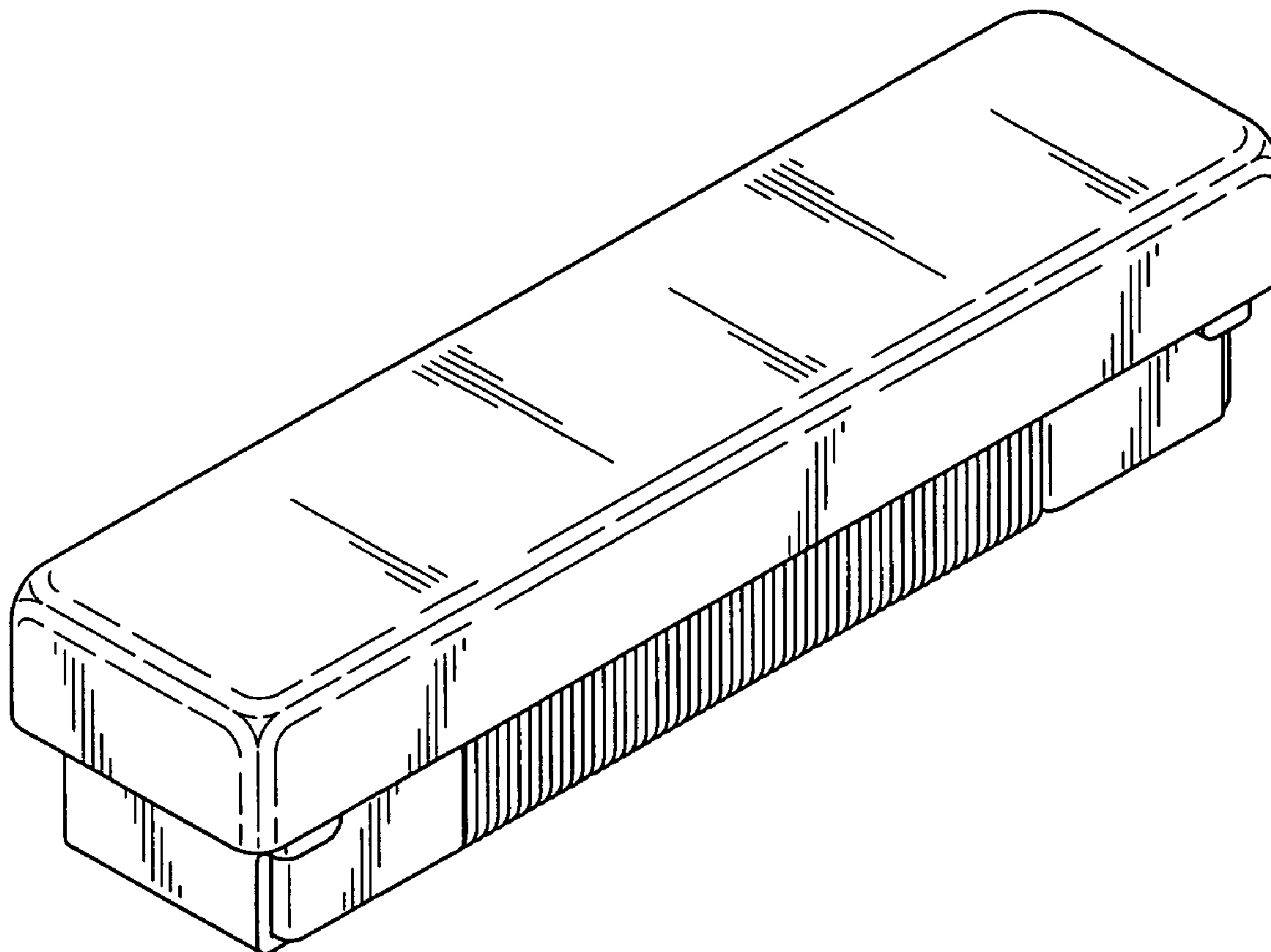
FIG. 3 is a front elevation view;

FIG. 4 is a bottom plan view thereof;

FIG. 5 is a top plan view thereof; and,

FIG. 6 is a rear elevation view.

1 Claim, 3 Drawing Sheets



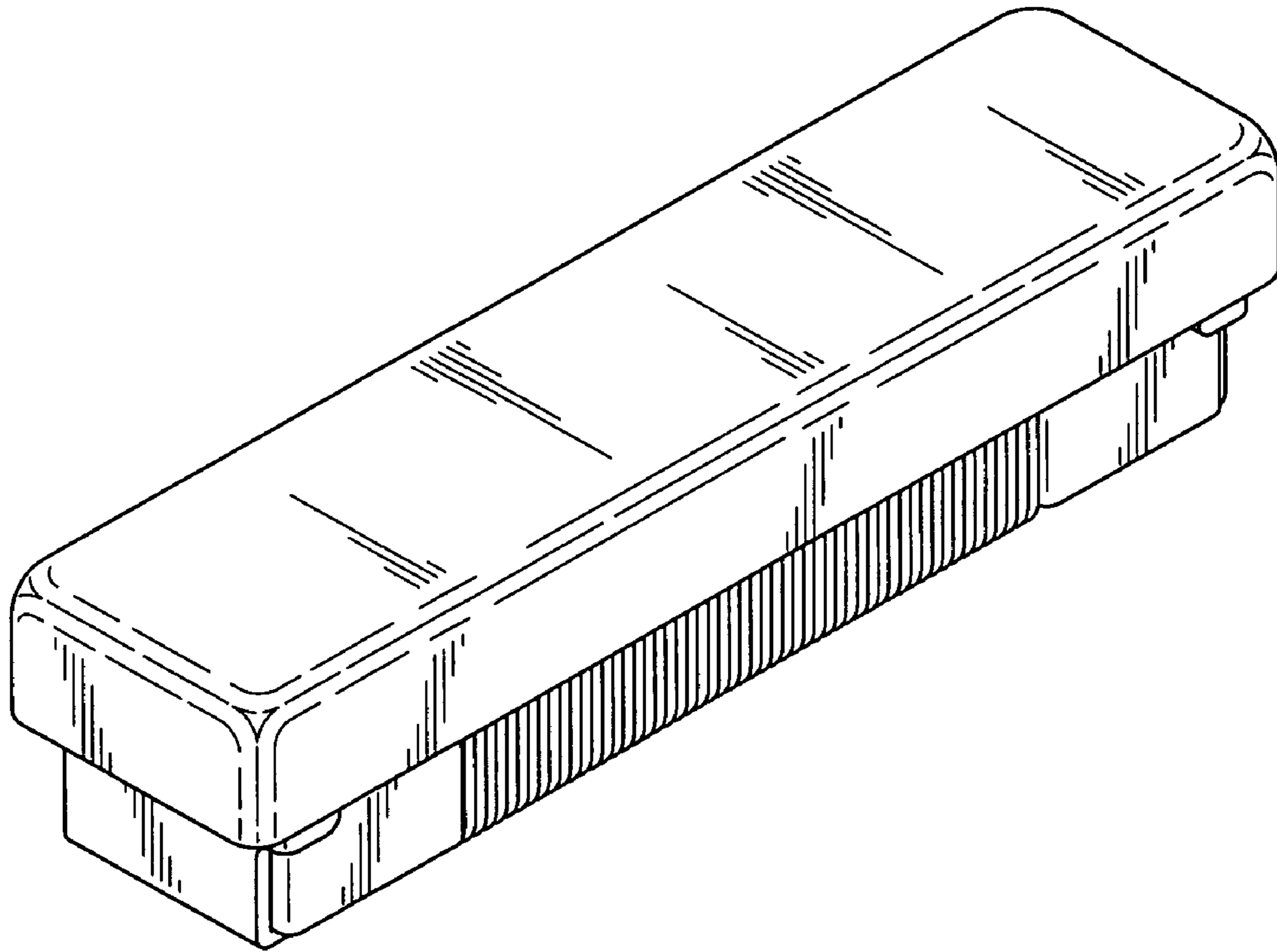


FIG. 1

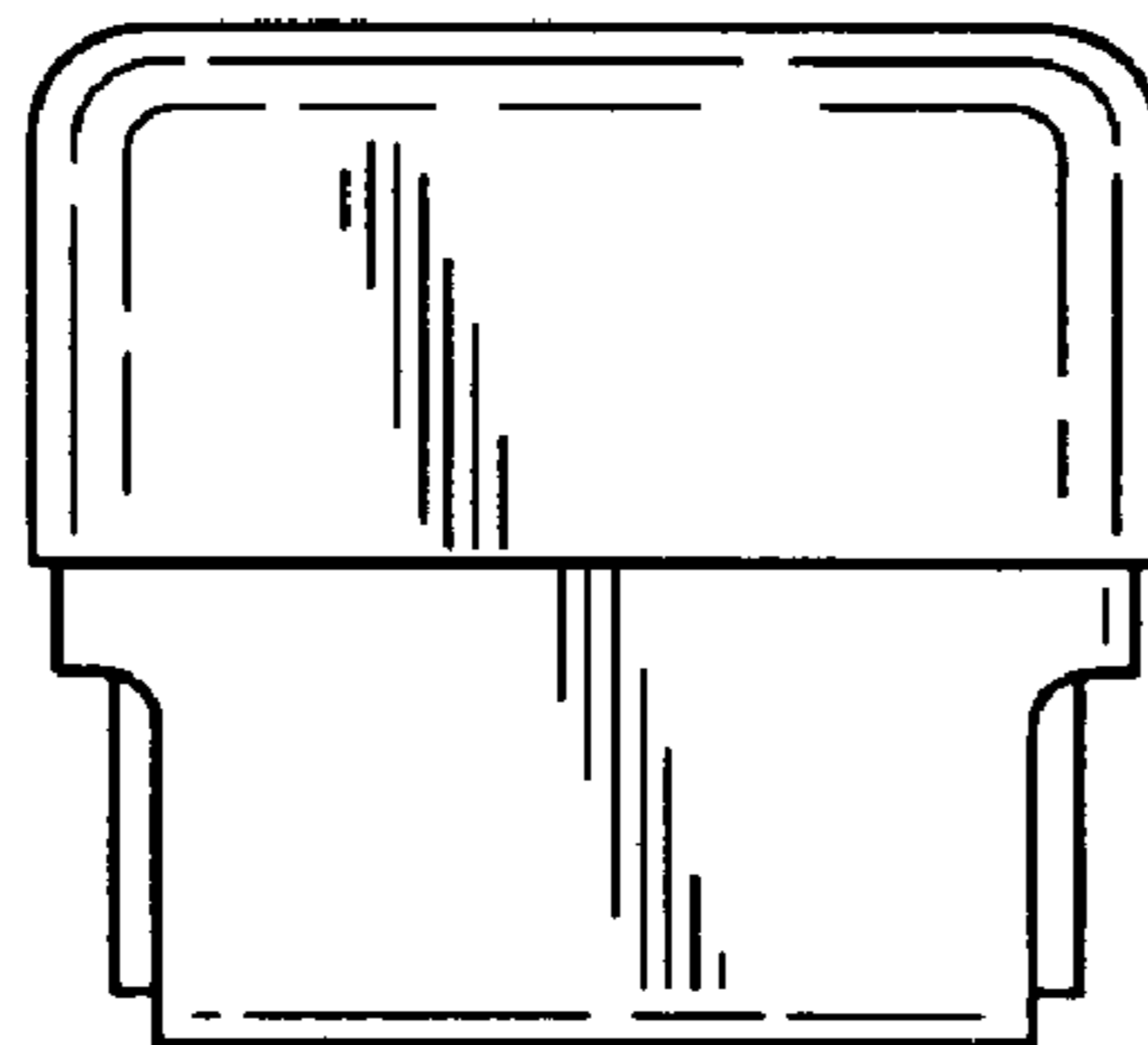


FIG. 2

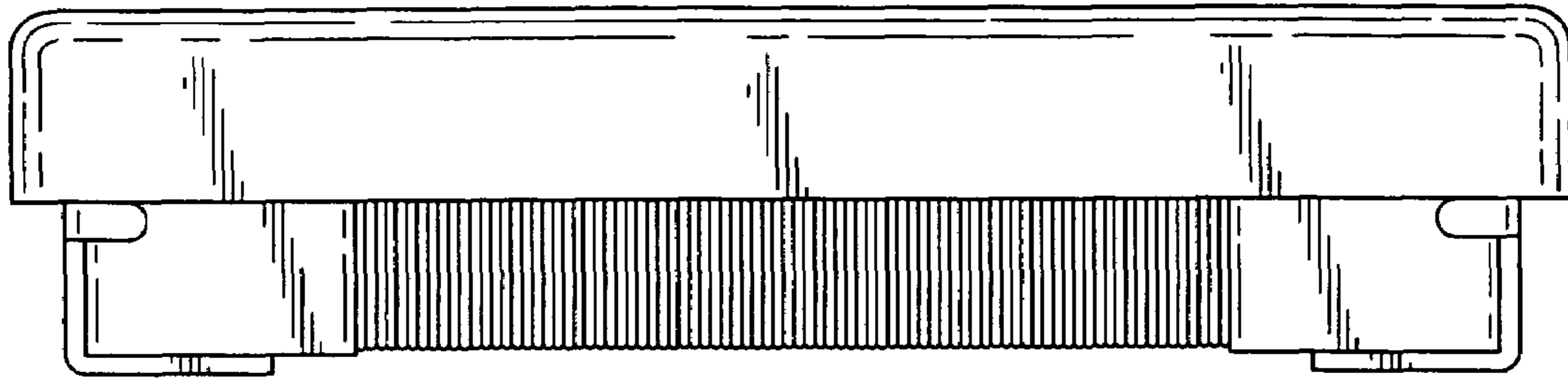


FIG. 3

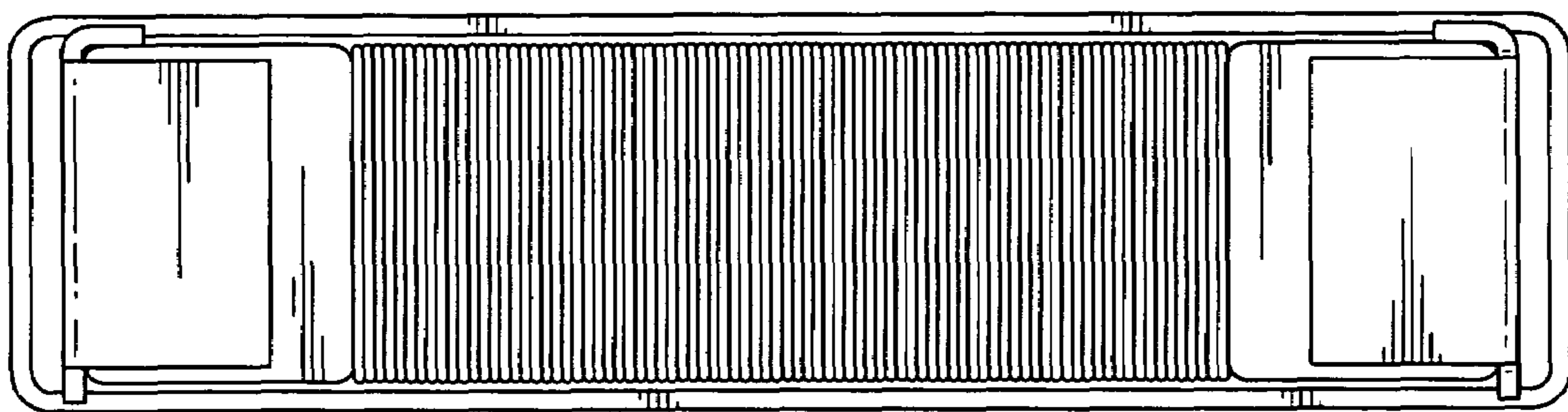


FIG. 4

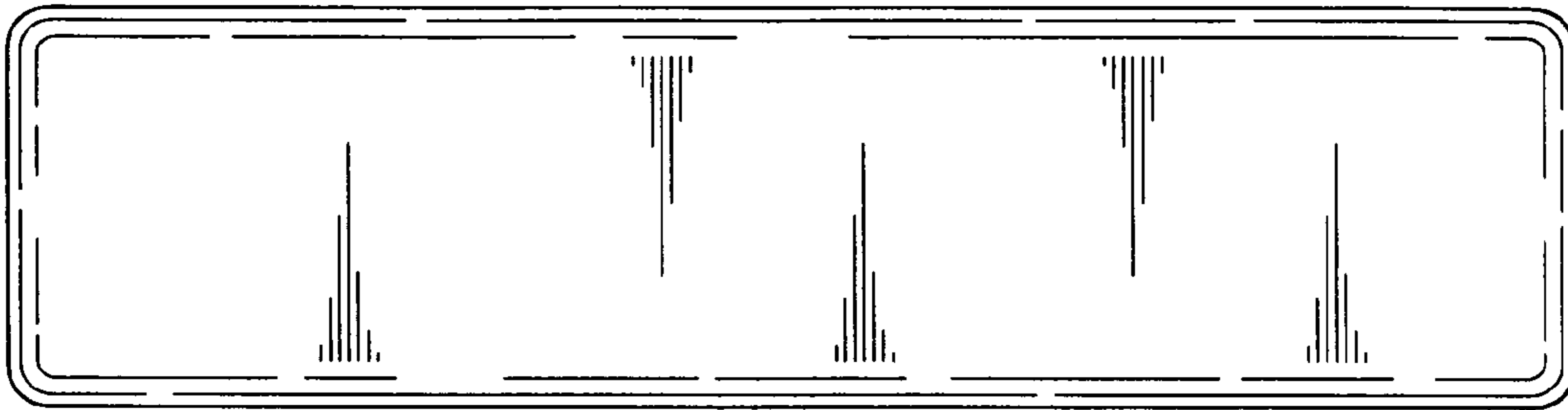


FIG. 5

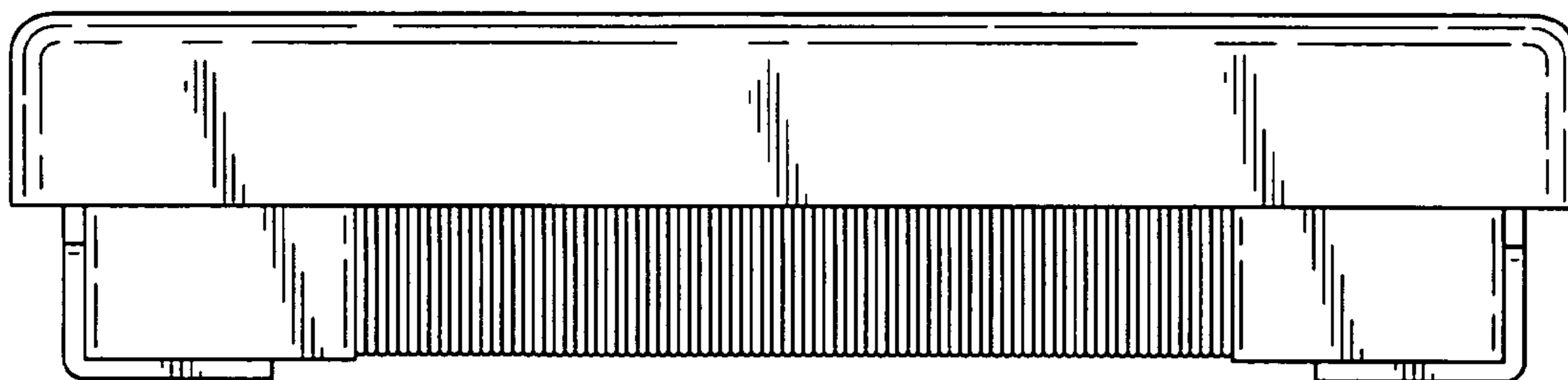


FIG. 6