



US00D605661S

(12) **United States Design Patent**  
**Koehl**

(10) **Patent No.:** **US D605,661 S**  
(45) **Date of Patent:** **\*\* Dec. 8, 2009**

(54) **ENGINE**

(75) Inventor: **Richard R. Koehl**, Sheboygan Falls, WI (US)

(73) Assignee: **Kohler Co.**, Kohler, WI (US)

(\*\*) Term: **14 Years**

(21) Appl. No.: **29/326,622**

(22) Filed: **Oct. 21, 2008**

(51) **LOC (9) Cl.** ..... **15-01**

(52) **U.S. Cl.** ..... **D15/1**

(58) **Field of Classification Search** ..... D15/1,  
D15/3, 5, 17; 123/50 A, 50 B, 50 R, 198 E,  
123/70 R, 41.7, 306, 308, 667

See application file for complete search history.

(56) **References Cited**

**U.S. PATENT DOCUMENTS**

D282,071 S *	1/1986	Nakamura	.....	D15/1
D309,612 S *	7/1990	Nakagawa	.....	D15/1
D515,589 S *	2/2006	Lin et al.	.....	D15/1
D516,580 S *	3/2006	Li	.....	D15/1
D529,046 S *	9/2006	Maeda et al.	.....	D15/1
D552,128 S *	10/2007	Li	.....	D15/1
D561,784 S *	2/2008	Yin et al.	.....	D15/1
D570,877 S *	6/2008	Glass et al.	.....	D15/1
D579,026 S *	10/2008	Busschaert	.....	D15/1
D583,829 S *	12/2008	Fan	.....	D15/1

**OTHER PUBLICATIONS**

Commercial Engine Product Literature; Internet Screen Shots from commercial websites and Google; the screen shots are dated Mar. 3, 2009; 28 pages.

Consumer Engine Product Literature; Internet Screen Shots from consumer websites and Google; the screen shots are dated Mar. 03, 2009; 16 pages

Chart listing types and pictures of various commercial engines; 2 pages; Mar. 2, 2009\* [Note: \*This date is provided because it is believed that at least some of the pictures contained in this document were obtained from the Internet on or around Mar. 2, 2009].

\* cited by examiner

*Primary Examiner*—Ian Simmons

*Assistant Examiner*—Wan Laymon

(74) *Attorney, Agent, or Firm*—Whyte Hirschboeck Dudek SC

(57) **CLAIM**

The ornamental design for an engine, as shown and described.

**DESCRIPTION**

FIG. 1 is a front perspective view of an engine showing my new design;

FIG. 2 is a front view thereof;

FIG. 3 is a left side view thereof;

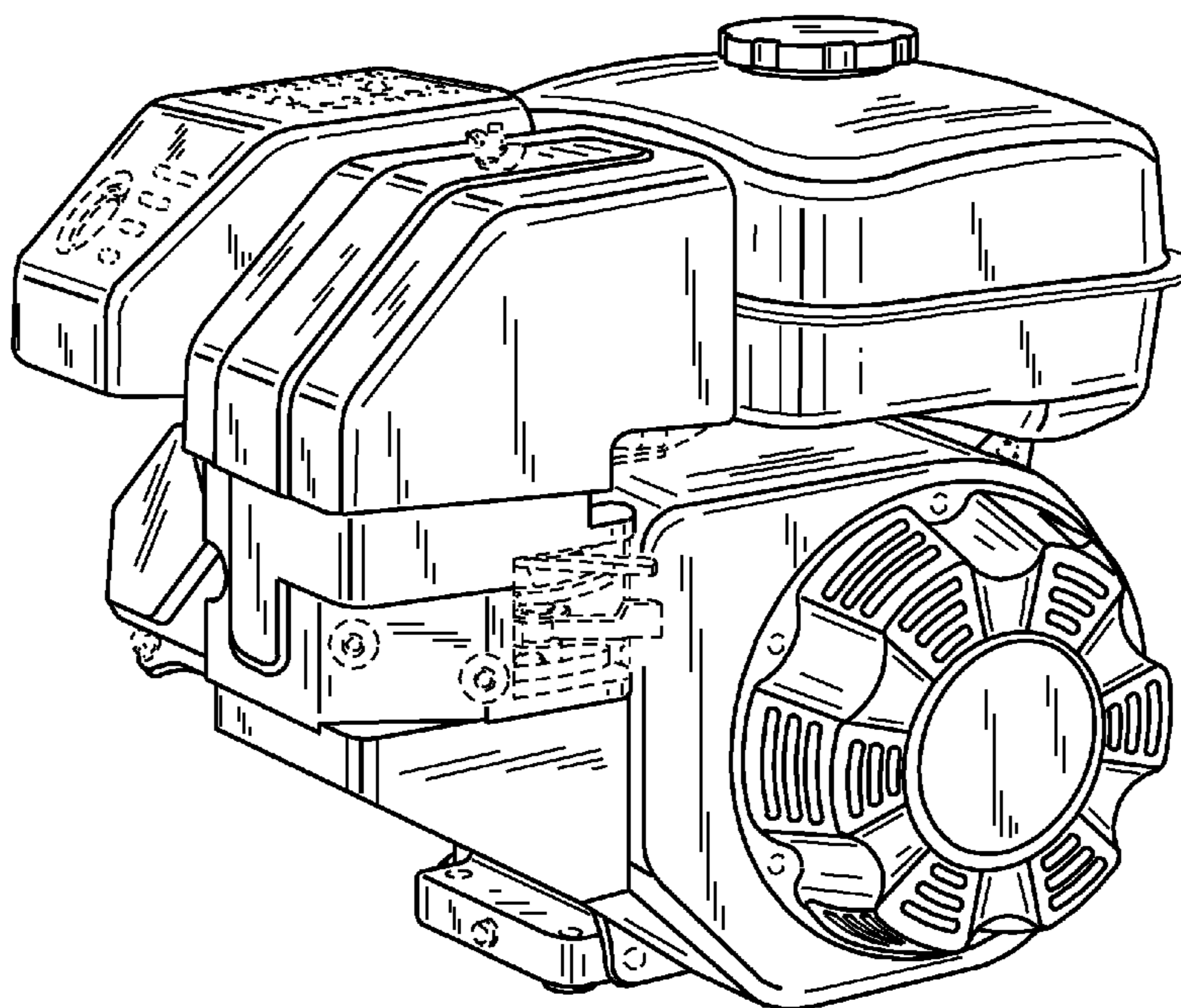
FIG. 4 is a rear view thereof;

FIG. 5 is a right side view thereof; and,

FIG. 6 is a top view thereof.

The broken lines shown in the figures are for illustrative environmental purposes only and form no part of the claimed design.

**1 Claim, 6 Drawing Sheets**



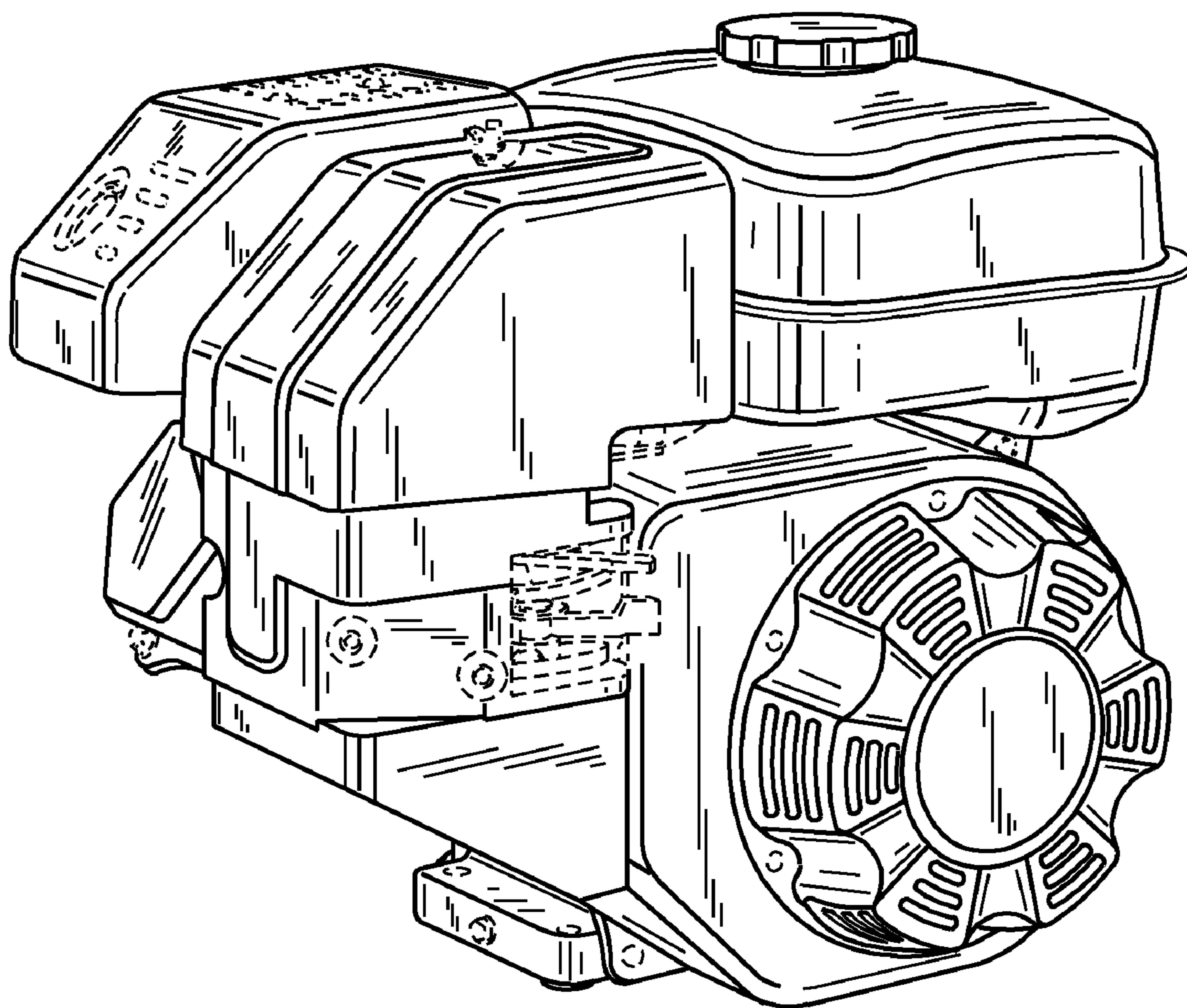


FIG. 1

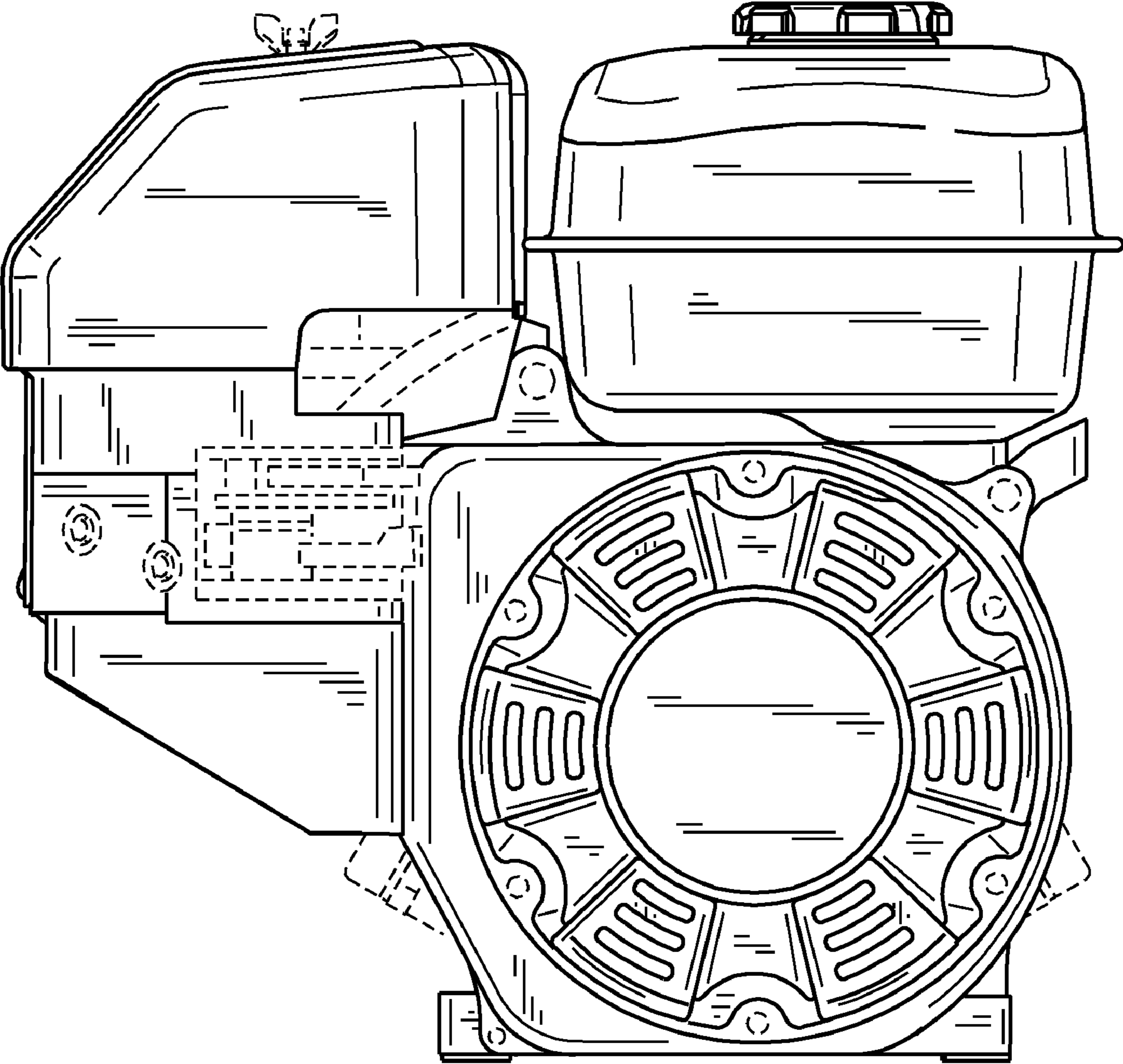


FIG. 2

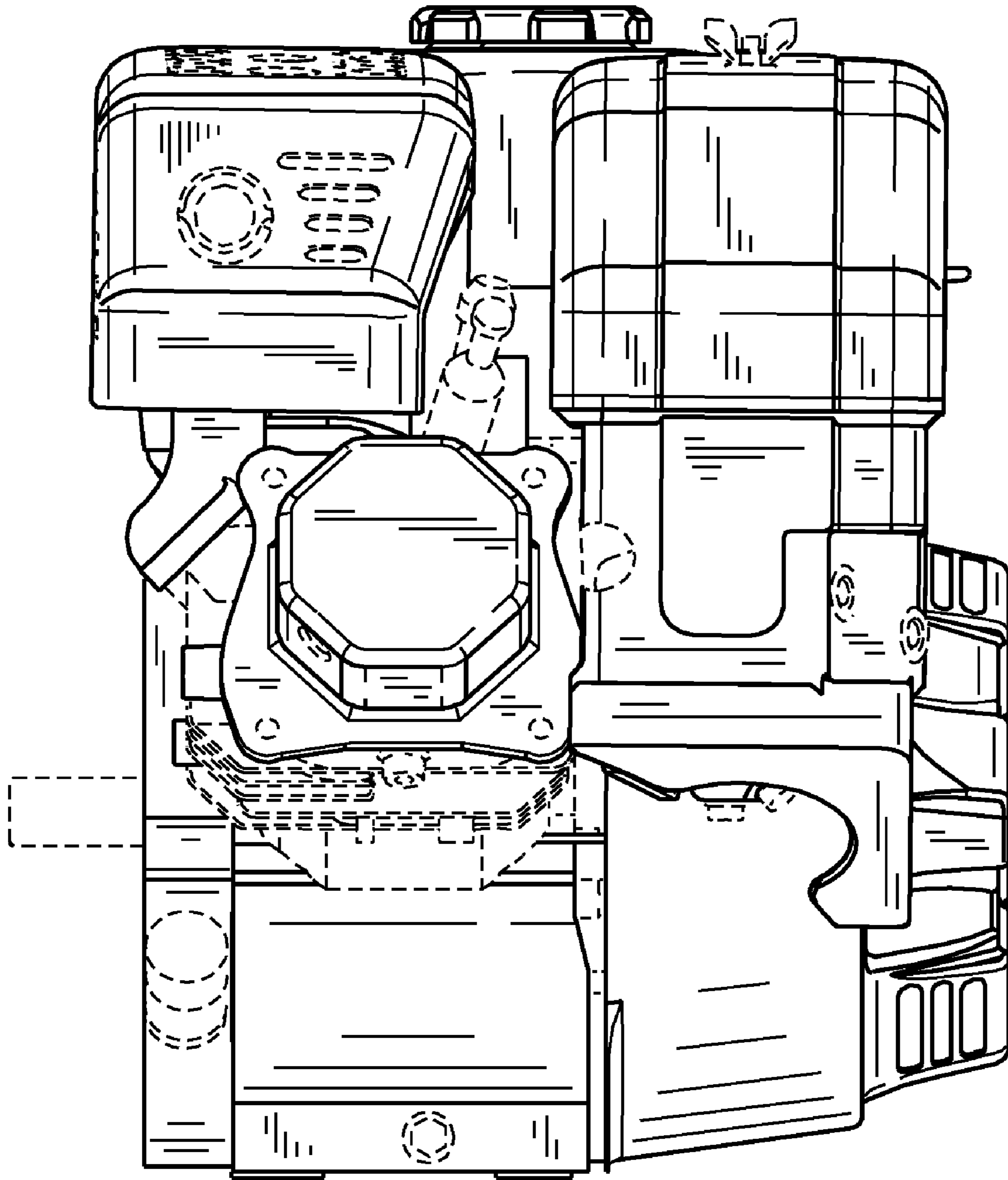


FIG. 3

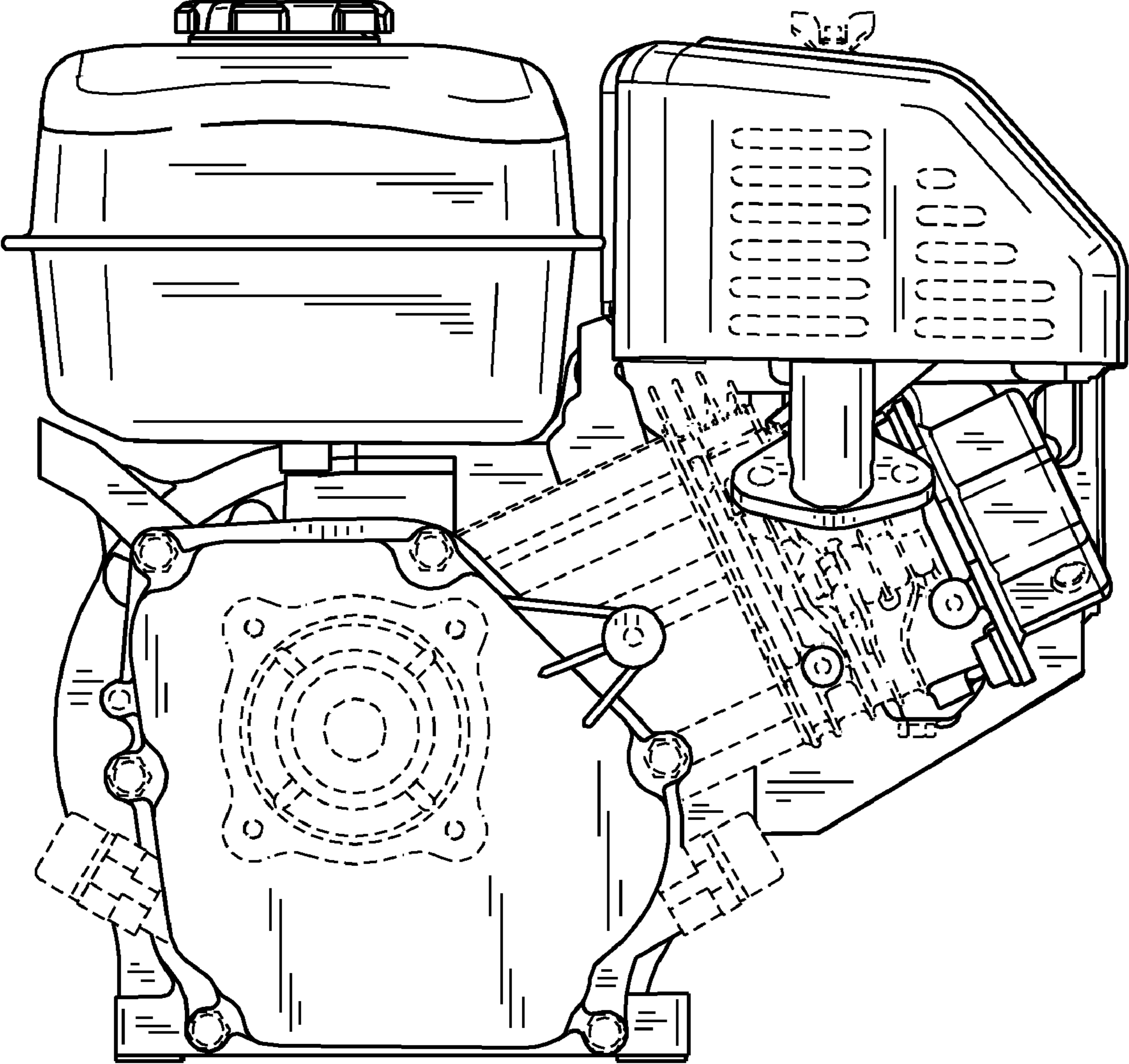


FIG. 4

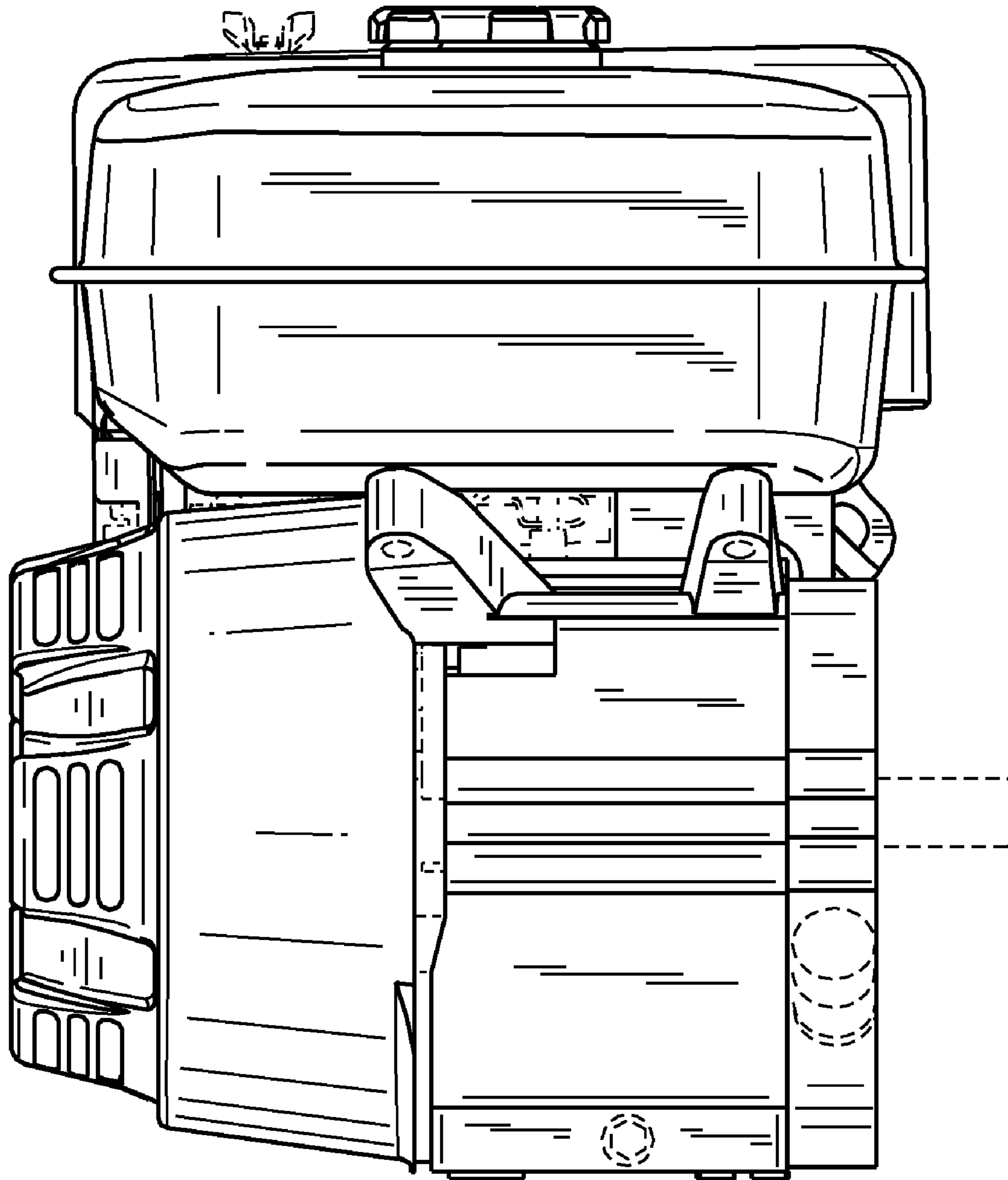


FIG. 5

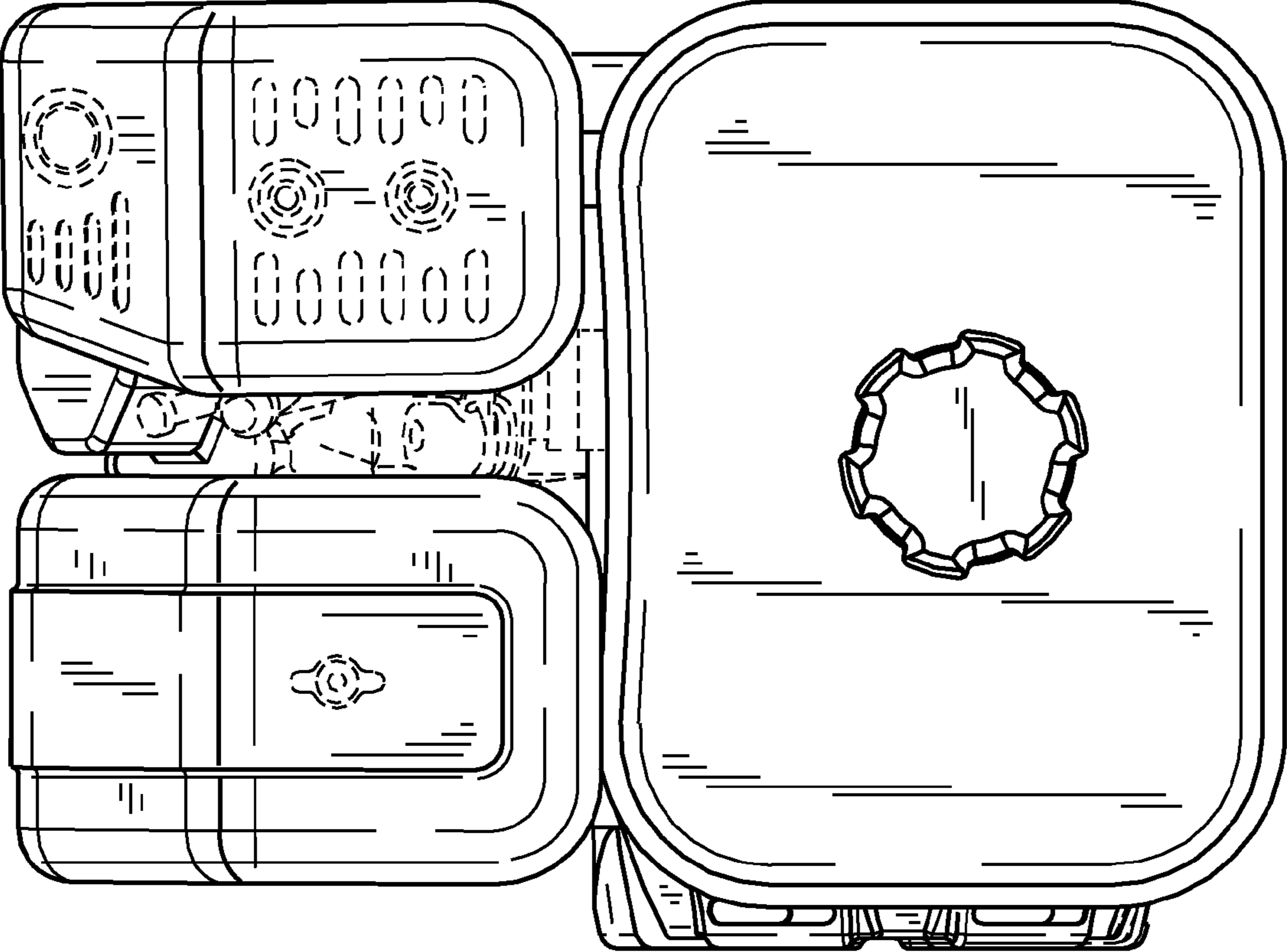


FIG. 6