



US00D605660S

(12) **United States Design Patent**
Yagihashi

(10) **Patent No.:** **US D605,660 S**
(45) **Date of Patent:** **** Dec. 8, 2009**

(54) **DISC PLAYER**

D571,348 S 6/2008 Uehara et al.

(75) Inventor: **Tatsuya Yagihashi**, Tokyo (JP)

* cited by examiner

(73) Assignee: **Sony Corporation**, Tokyo (JP)

Primary Examiner—Nanda Bondade
(74) *Attorney, Agent, or Firm*—Rader, Fishman & Grauer, PLLC

(**) Term: **14 Years**

(21) Appl. No.: **29/309,742**

(57) **CLAIM**

(22) Filed: **Oct. 1, 2008**

The ornamental design for a disc player, as shown and described.

(30) **Foreign Application Priority Data**

DESCRIPTION

Jun. 6, 2008 (CN) 2008 3 0129091
Jun. 6, 2008 (CN) 2008 3 0129092

FIG. 1 is a perspective view of a first embodiment of a disc player showing my new design;

(51) **LOC (9) Cl.** **14-01**

FIG. 2 is a front elevational view thereof;

(52) **U.S. Cl.** **D14/505; D14/217**

FIG. 3 is a left side elevational view thereof;

(58) **Field of Classification Search** D14/496,
D14/498–505, 511, 157, 167–168, 188, 197–198,
D14/217, 257–258; 360/99.02, 99.07; 369/75.11,
369/75.21, 77.11, 77.21; 720/601, 612, 619,
720/649, 655; 455/344, 347–351

FIG. 4 is a right side elevational view thereof;

FIG. 5 is a top plan view thereof;

See application file for complete search history.

FIG. 6 is a bottom plan view thereof;

FIG. 7 is a perspective view of a second embodiment of a disc player showing my new design;

(56) **References Cited**

FIG. 8 is a front elevational view thereof;

U.S. PATENT DOCUMENTS

FIG. 9 is a left side elevational view thereof;

D450,692 S 11/2001 Hakoda
D538,776 S 3/2007 Suzuki
D538,778 S 3/2007 Shiono
D539,769 S * 4/2007 Yoshihara et al. D14/505
D542,261 S 5/2007 Uehara et al.
D548,209 S * 8/2007 Shiono et al. D14/511
D556,184 S 11/2007 Uehara et al.
D563,922 S 3/2008 Shiono
D565,043 S 3/2008 Shiono

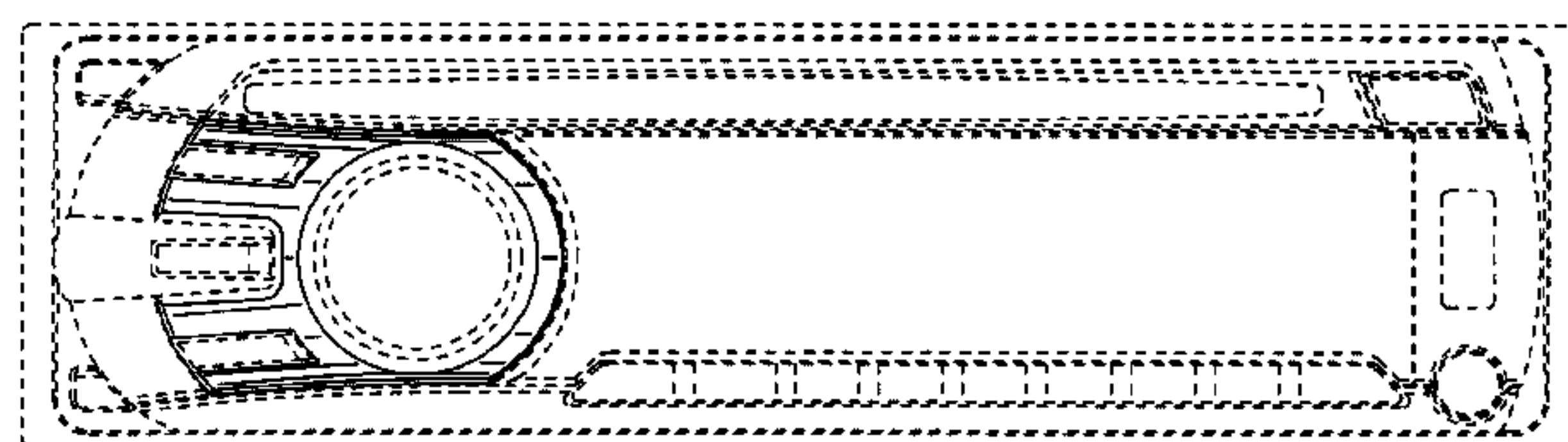
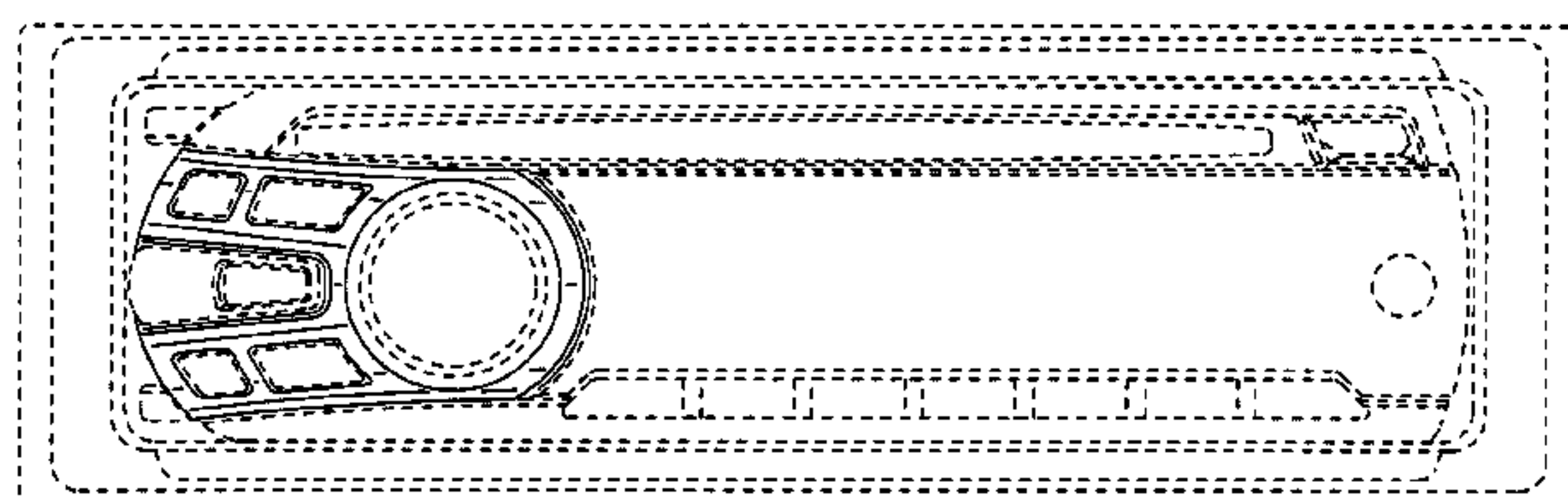
FIG. 10 is a right side elevational view thereof;

FIG. 11 is a top plan view thereof; and,

FIG. 12 is a bottom plan view thereof.

The broken line showing of the drawing disclosure is for illustrative purposes only and forms no part of the claimed design.

1 Claim, 12 Drawing Sheets



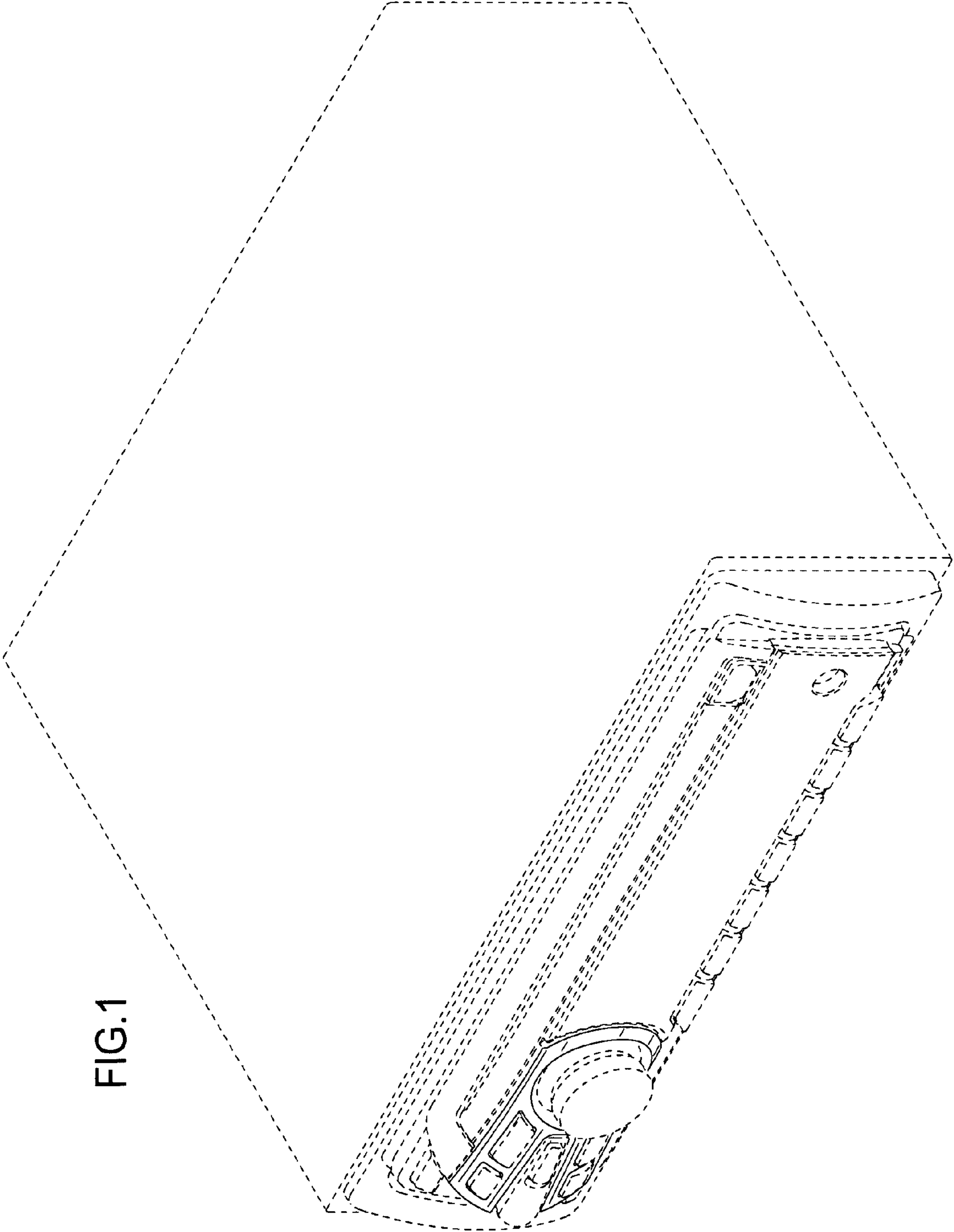


FIG. 1

FIG.2

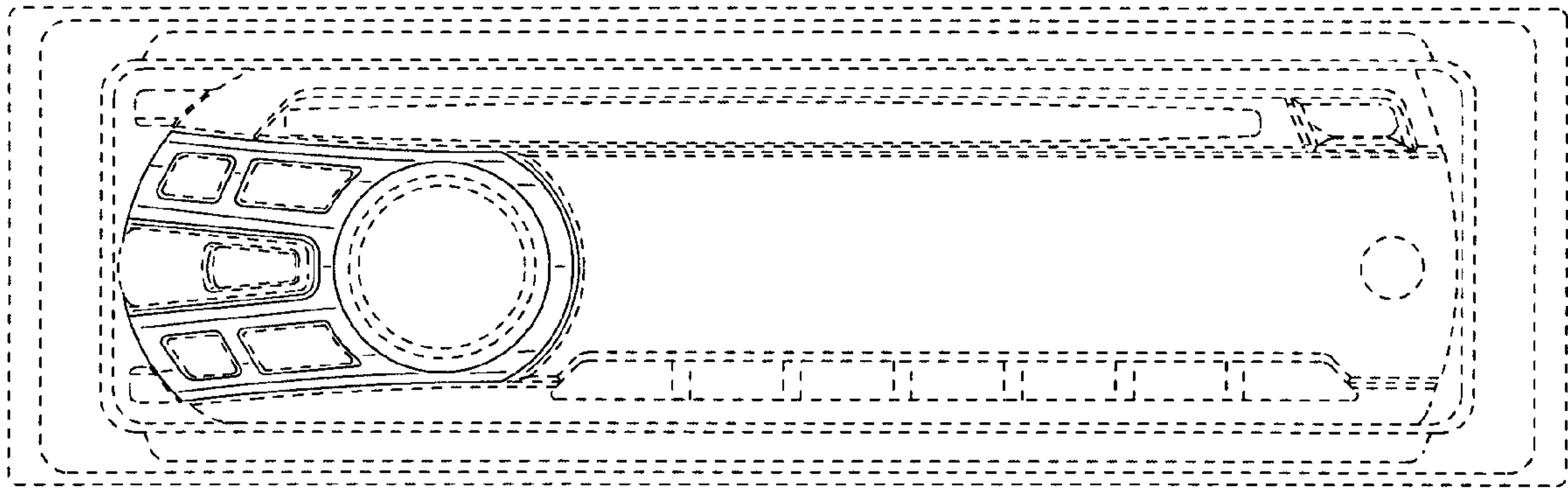


FIG.3



FIG.4



FIG.5

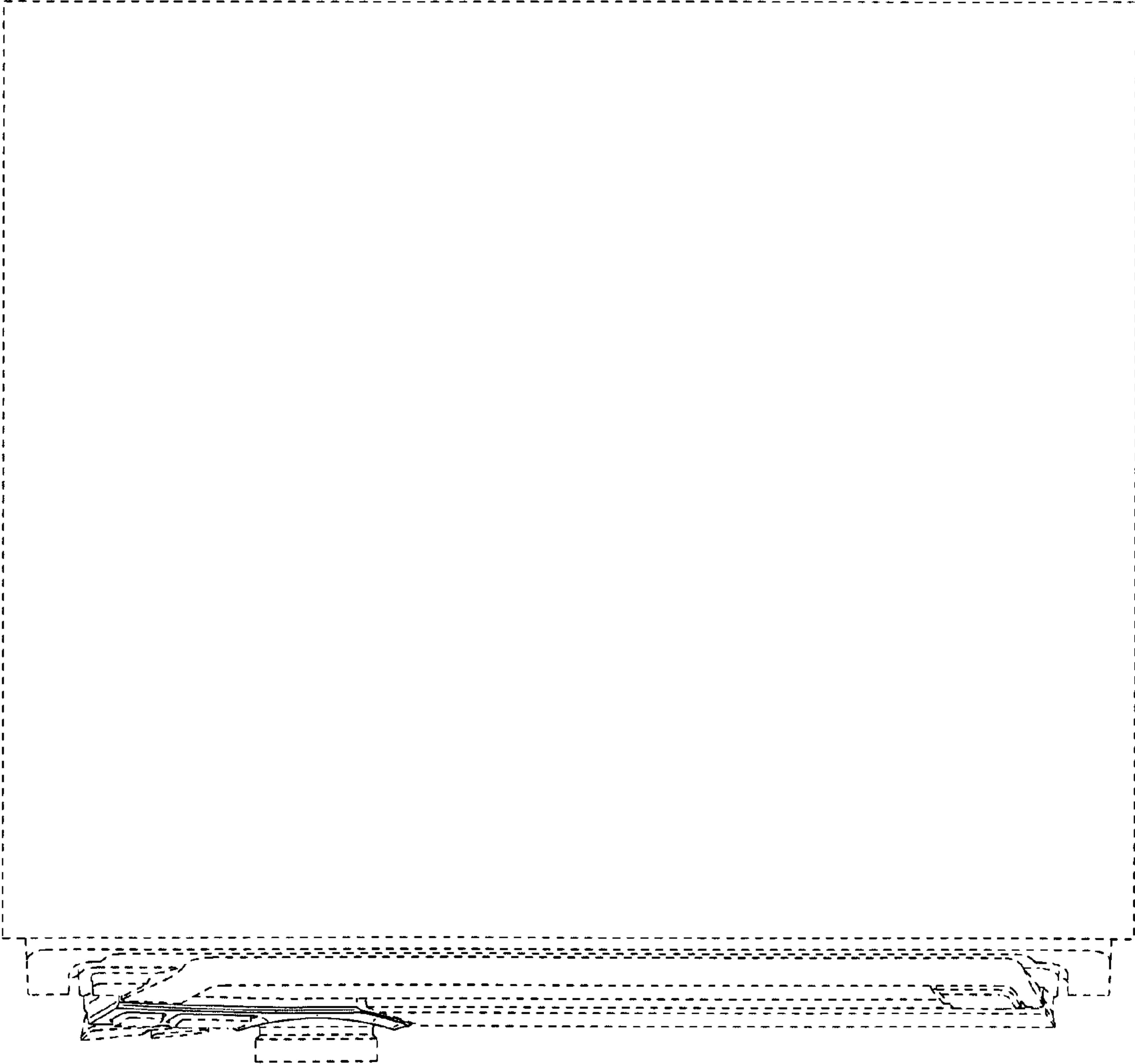
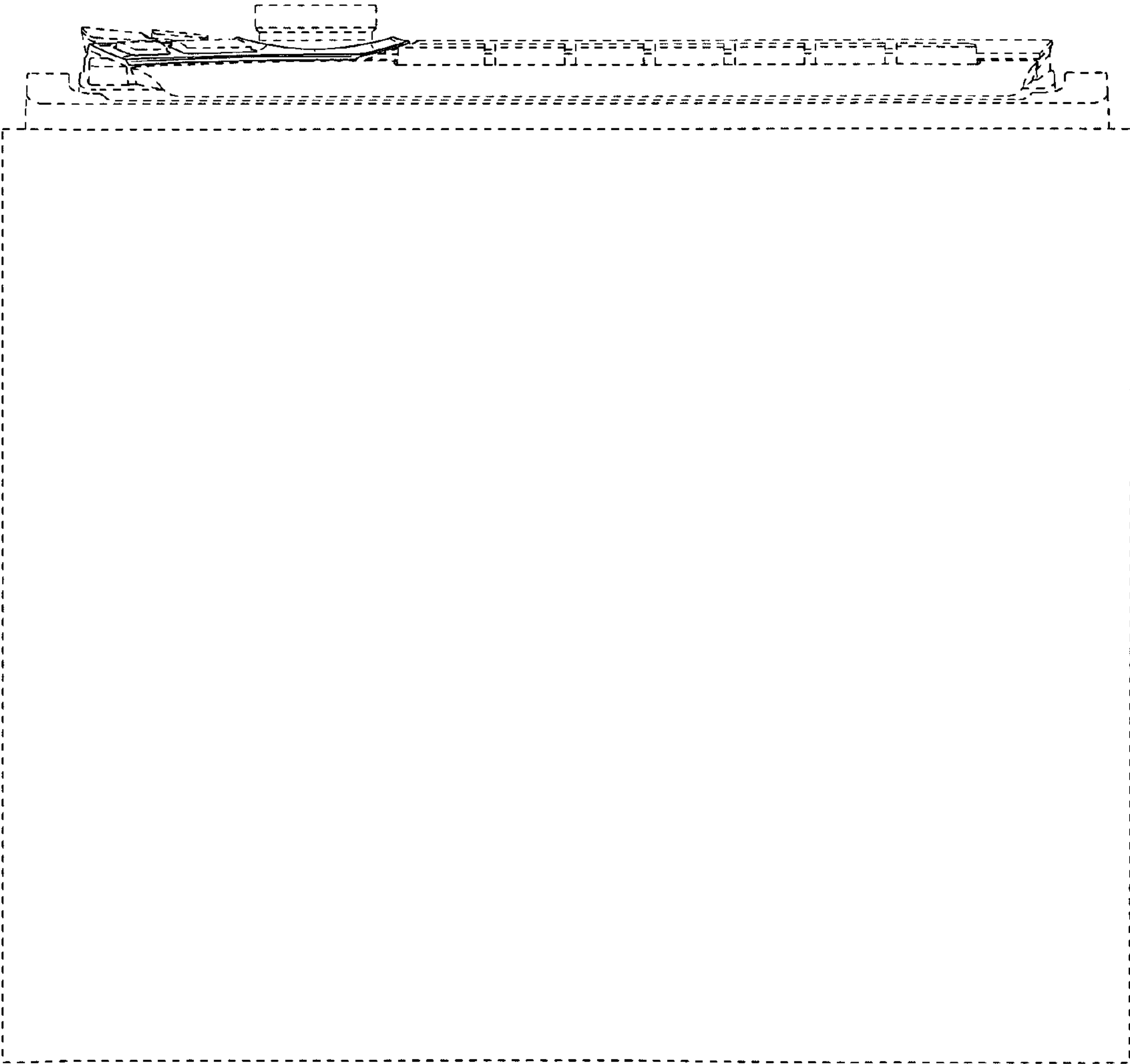


FIG.6



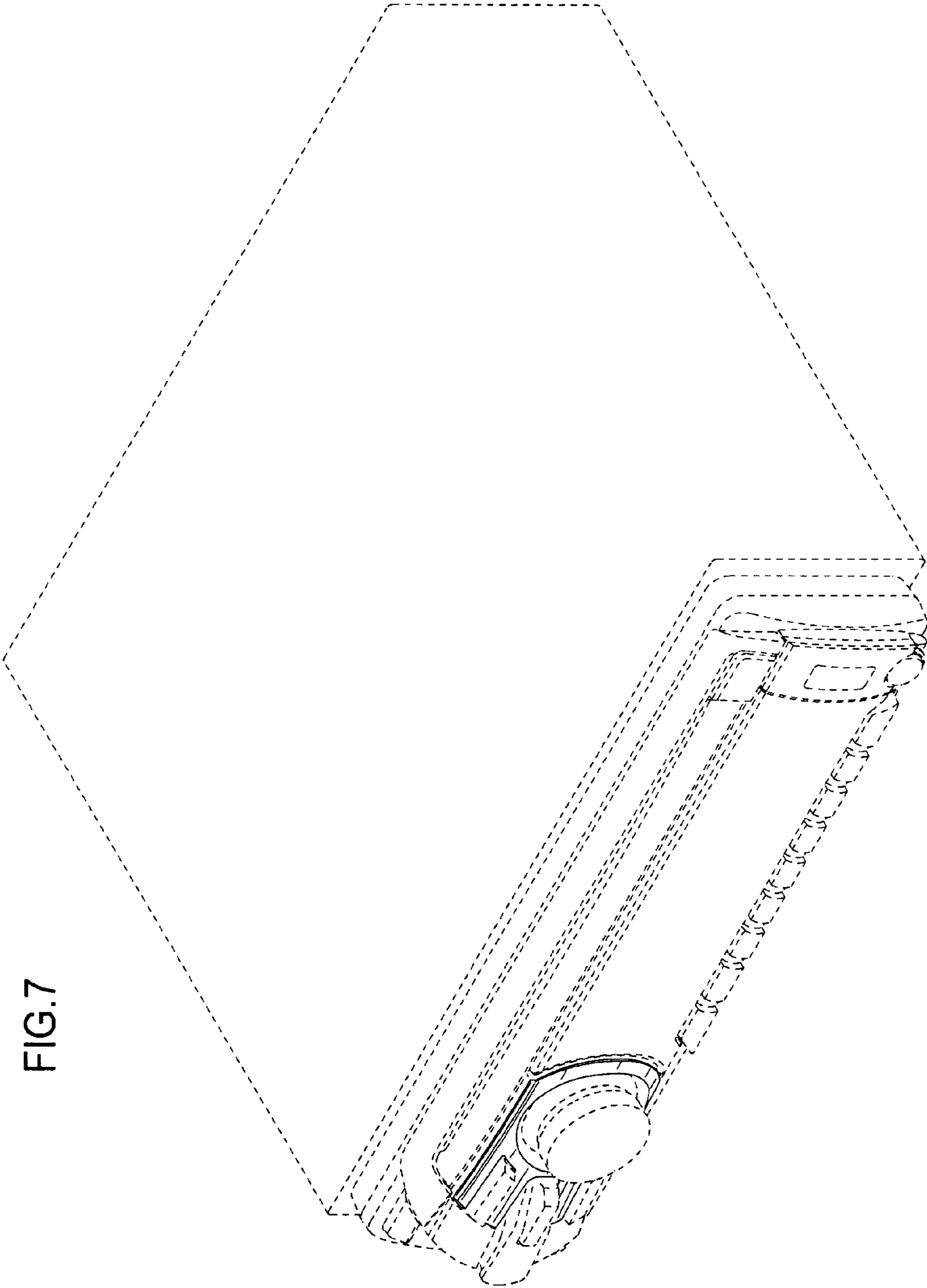


FIG. 7

FIG.8



FIG.9



FIG.10



FIG.11

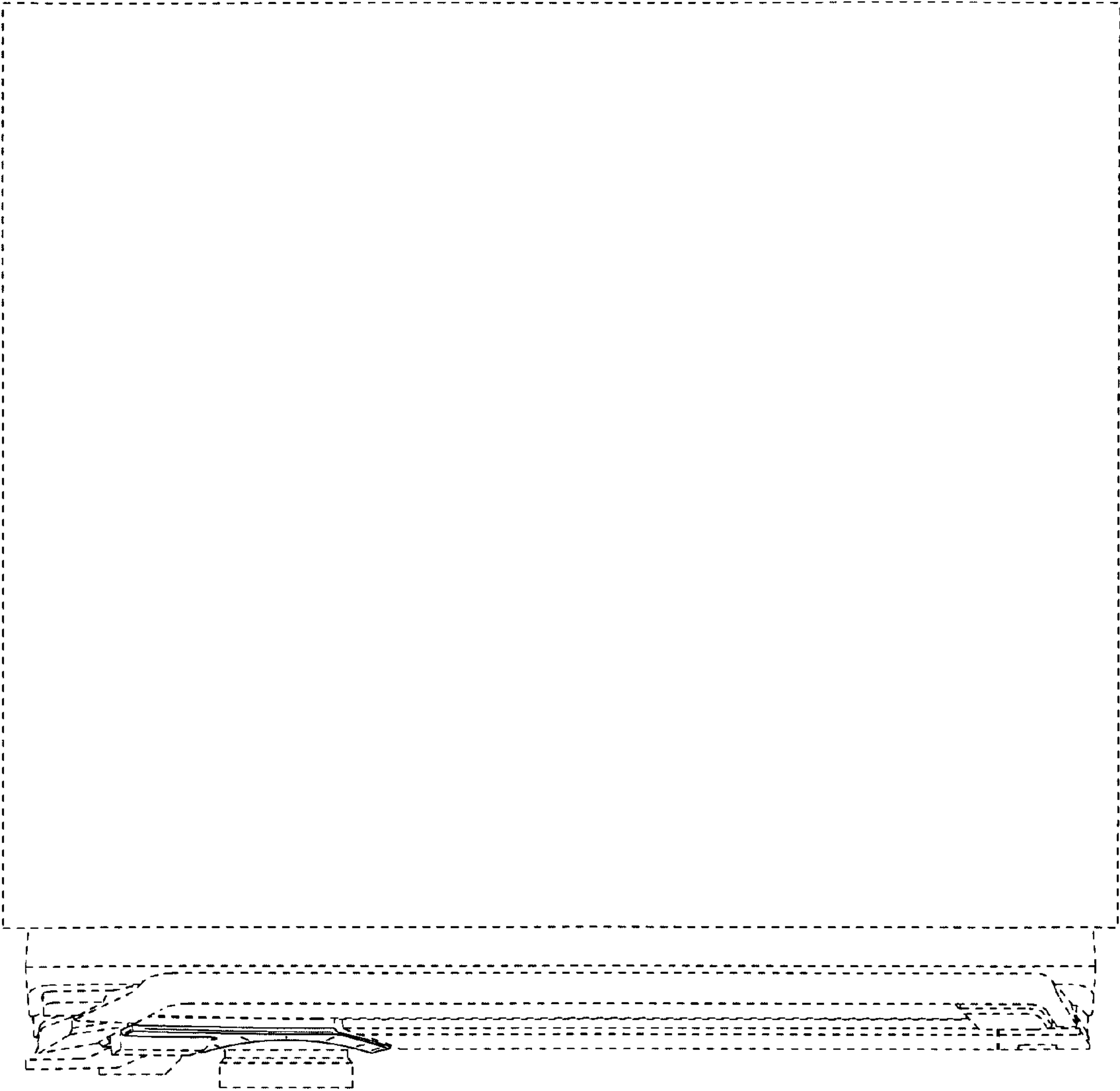


FIG.12

