



US00D605647S

(12) **United States Design Patent**  
**Chern et al.**

(10) **Patent No.:** **US D605,647 S**

(45) **Date of Patent:** **\*\* Dec. 8, 2009**

(54) **PERSONAL COMPUTER**

(75) Inventors: **Jyh-Woei Chern**, Taipei County (TW);  
**Chang-Ta Miao**, Taipei (TW);  
**Gwo-Chyuan Chen**, Taipei (TW);  
**Yi-Chun Ma**, Taipei County (TW)

(73) Assignee: **Quanta Computer Inc.**, Taoyuan Shien (TW)

(\*\*) Term: **14 Years**

(21) Appl. No.: **29/311,491**

(22) Filed: **Apr. 1, 2009**

(30) **Foreign Application Priority Data**

Feb. 9, 2009 (TW) ..... 98300459

(51) **LOC (9) Cl.** ..... **14-02**

(52) **U.S. Cl.** ..... **D14/336; D14/371**

(58) **Field of Classification Search** ..... D14/371-376,  
D14/125-129, 336-337, 331; D20/10, 42;  
248/917-924, 176.1, 278.1; 345/104, 156,  
345/173, 174, 901-905; 348/180, 184, 325,  
348/739; 361/680-686, 679.08, 679.23;  
349/1, 2, 11, 58

See application file for complete search history.

(56) **References Cited**

**U.S. PATENT DOCUMENTS**

D323,324 S \* 1/1992 Suda ..... D14/125

D432,124 S *	10/2000	Pardikes et al.	.....	D14/336
D438,201 S *	2/2001	Ogawa et al.	.....	D14/336
D453,333 S *	2/2002	Chen	.....	D14/374
D464,050 S *	10/2002	Mori	.....	D14/375
D466,500 S *	12/2002	Lo et al.	.....	D14/336
D481,726 S *	11/2003	Olson et al.	.....	D14/375
D484,131 S *	12/2003	Olson et al.	.....	D14/375
D502,179 S *	2/2005	Cha et al.	.....	D14/375
D538,800 S *	3/2007	Zhang et al.	.....	D14/331
D569,373 S *	5/2008	Lee et al.	.....	D14/341
D585,399 S *	1/2009	Hwang	.....	D14/130
D589,510 S *	3/2009	Wada	.....	D14/371

\* cited by examiner

*Primary Examiner*—Freda S Nunn

(74) *Attorney, Agent, or Firm*—Rabin & Berdo, PC

(57) **CLAIM**

The ornamental design for a personal computer, as shown.

**DESCRIPTION**

FIG. 1 is a perspective view of a personal computer showing our new design;

FIG. 2 is a front view thereof;

FIG. 3 is a rear view thereof;

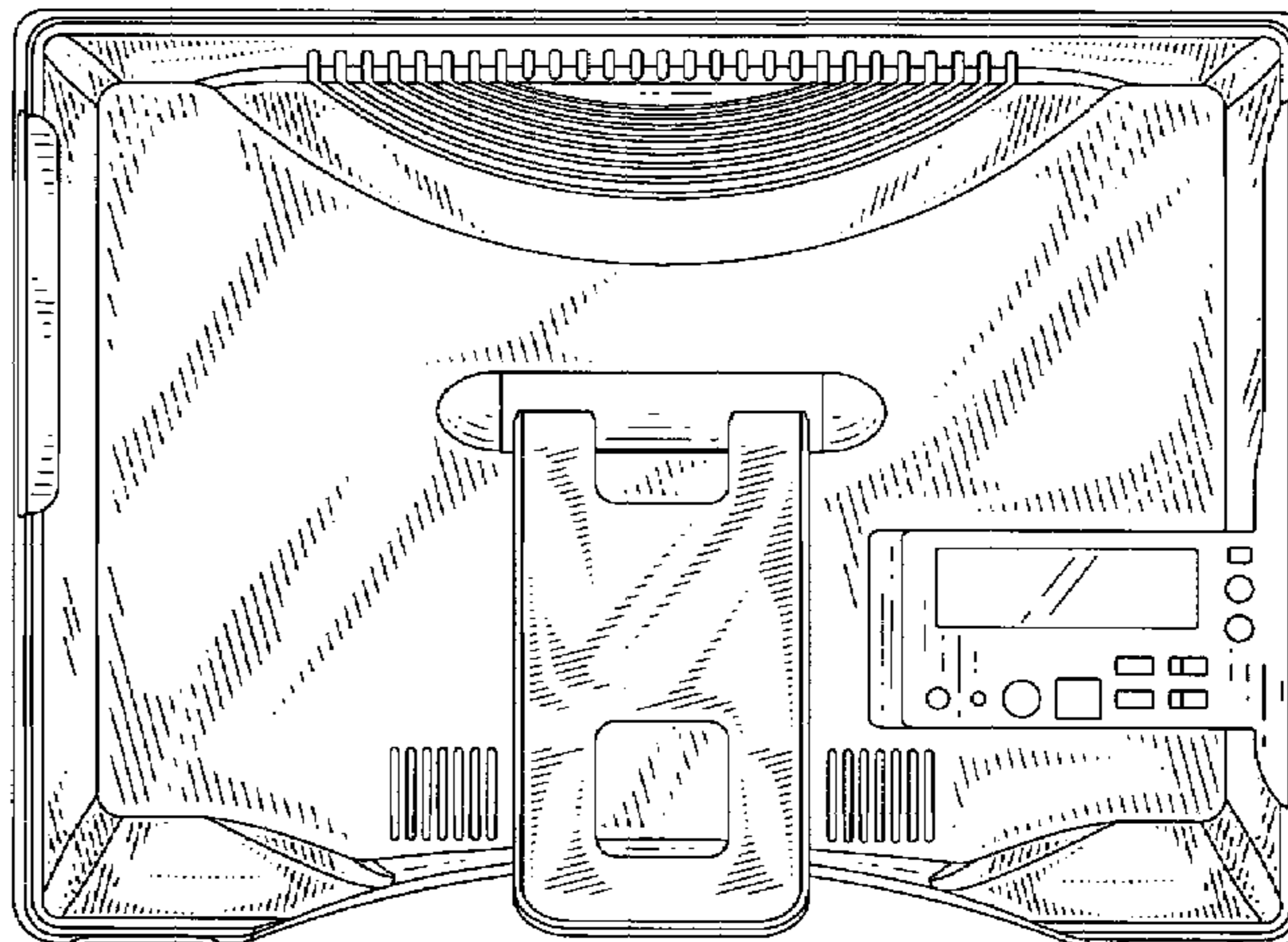
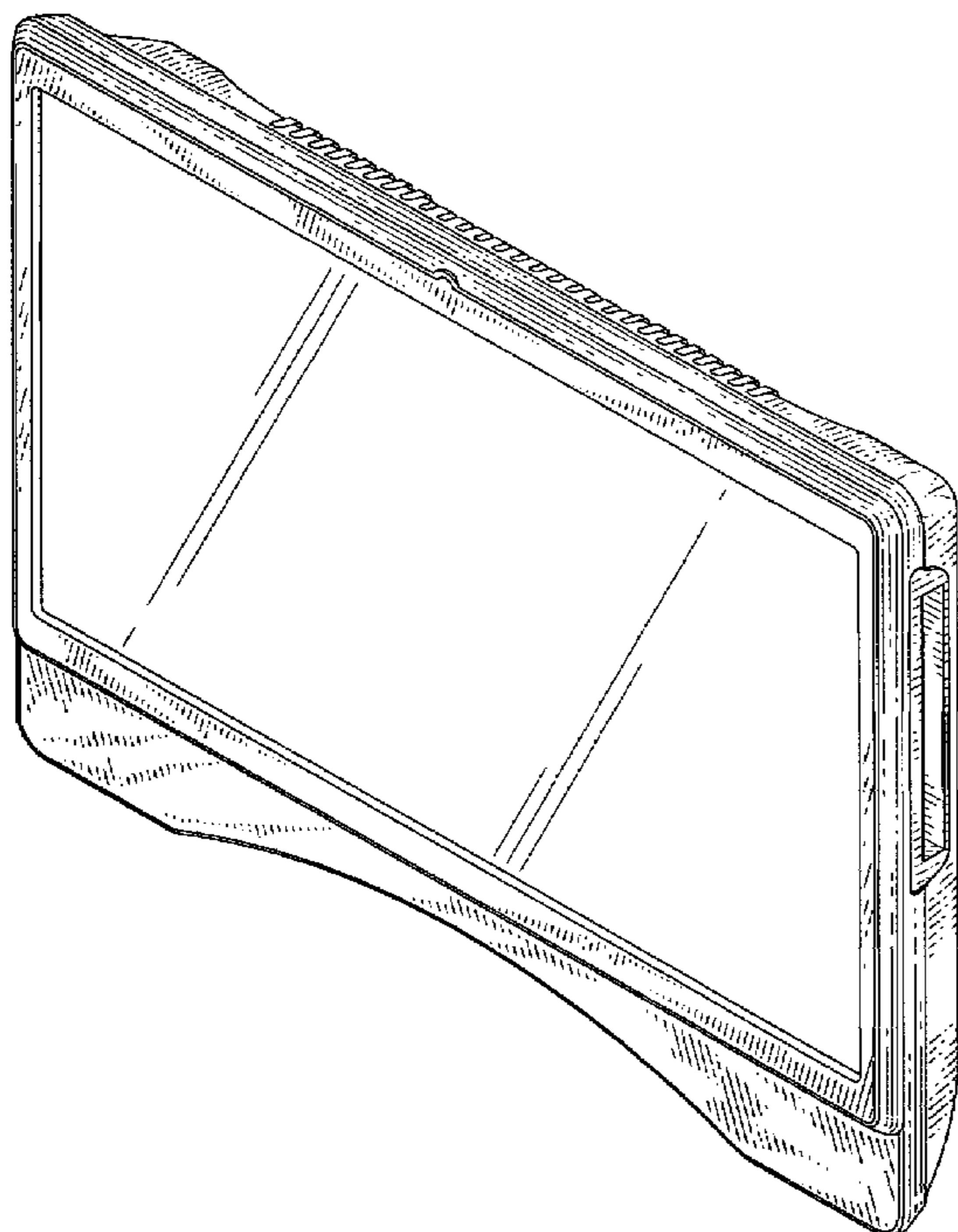
FIG. 4 is a left side view thereof;

FIG. 5 is a right side view thereof;

FIG. 6 is a top view thereof; and,

FIG. 7 is a bottom view thereof.

**1 Claim, 5 Drawing Sheets**



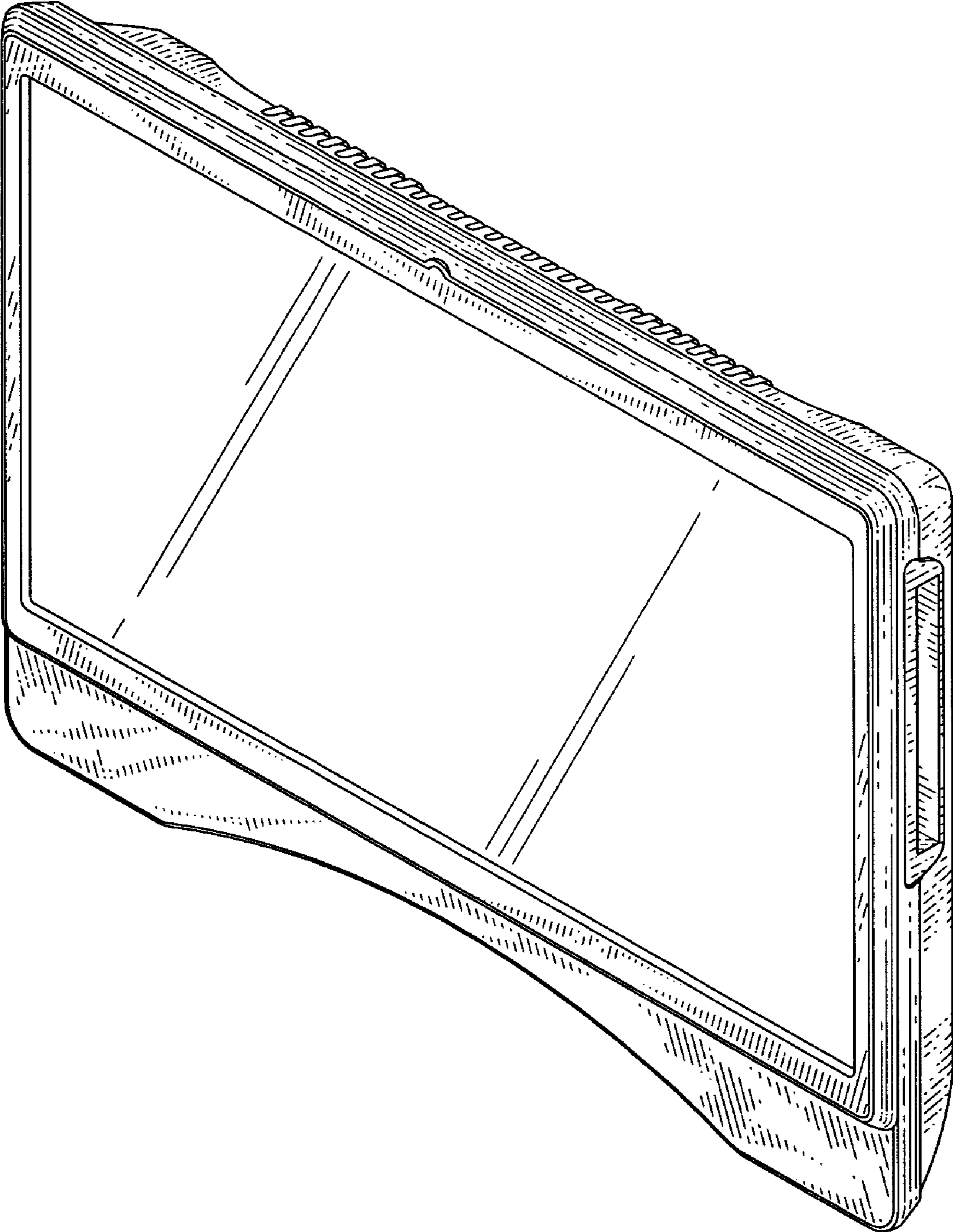


FIG. 1

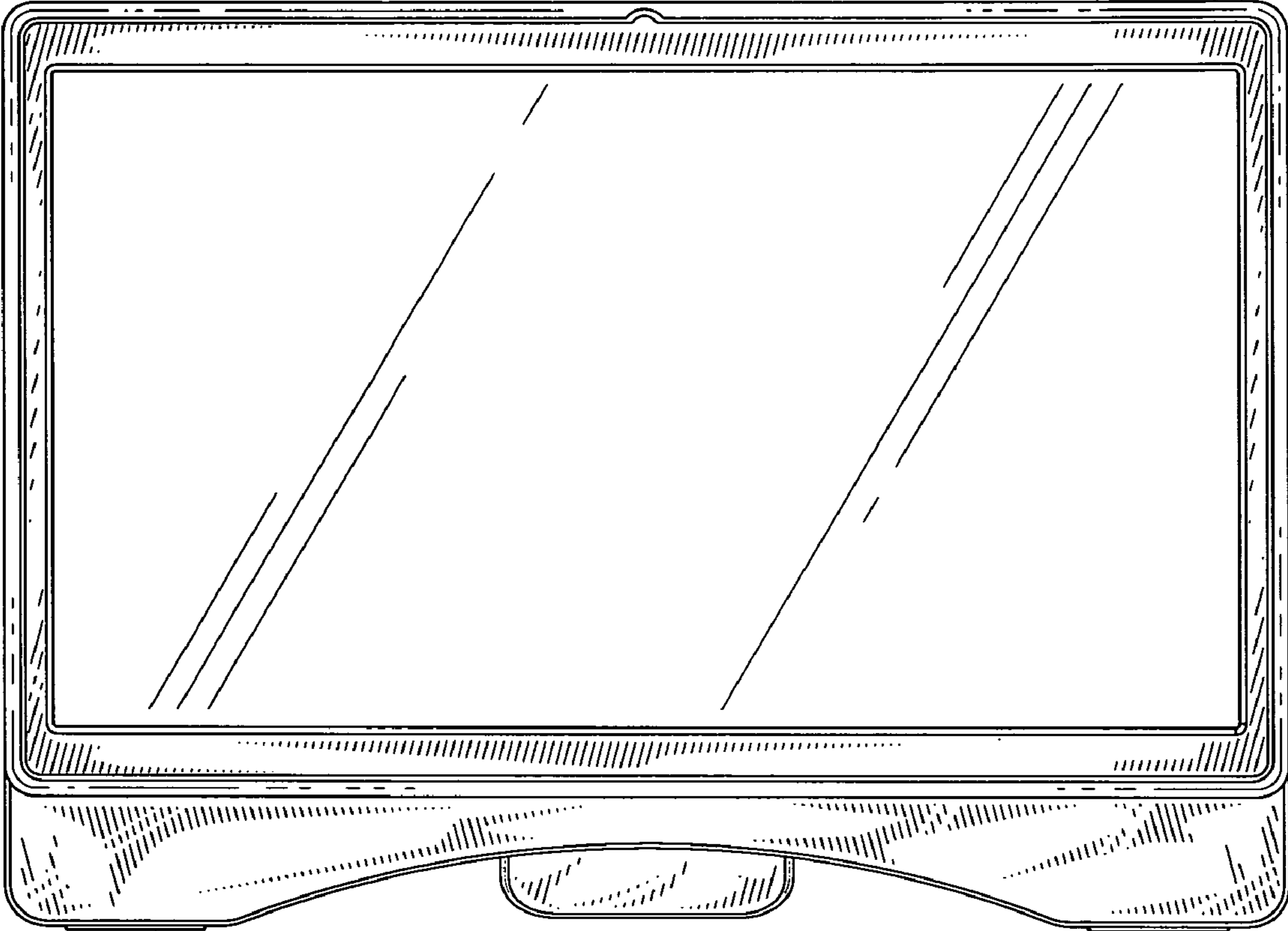


FIG. 2



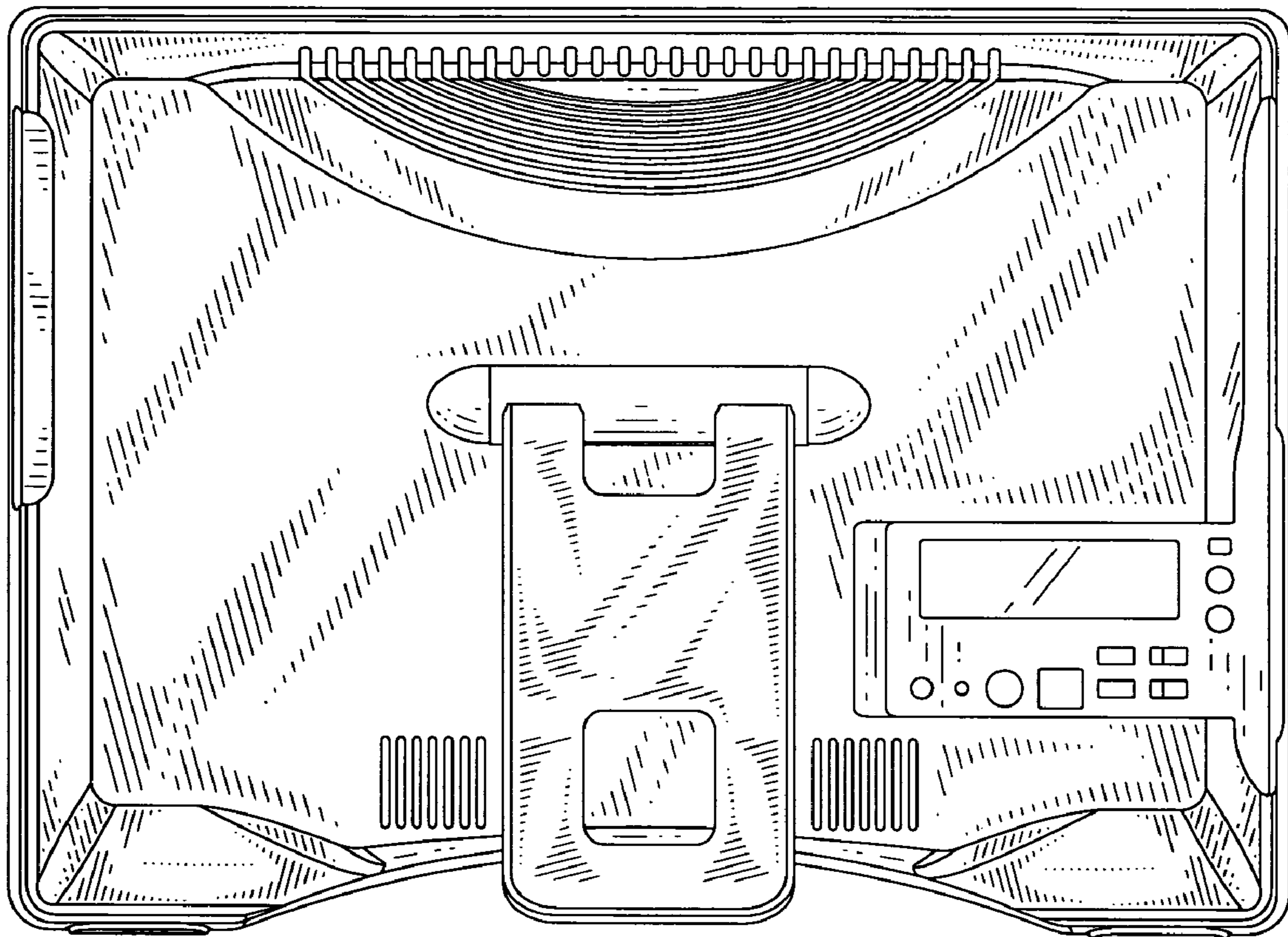


FIG. 3

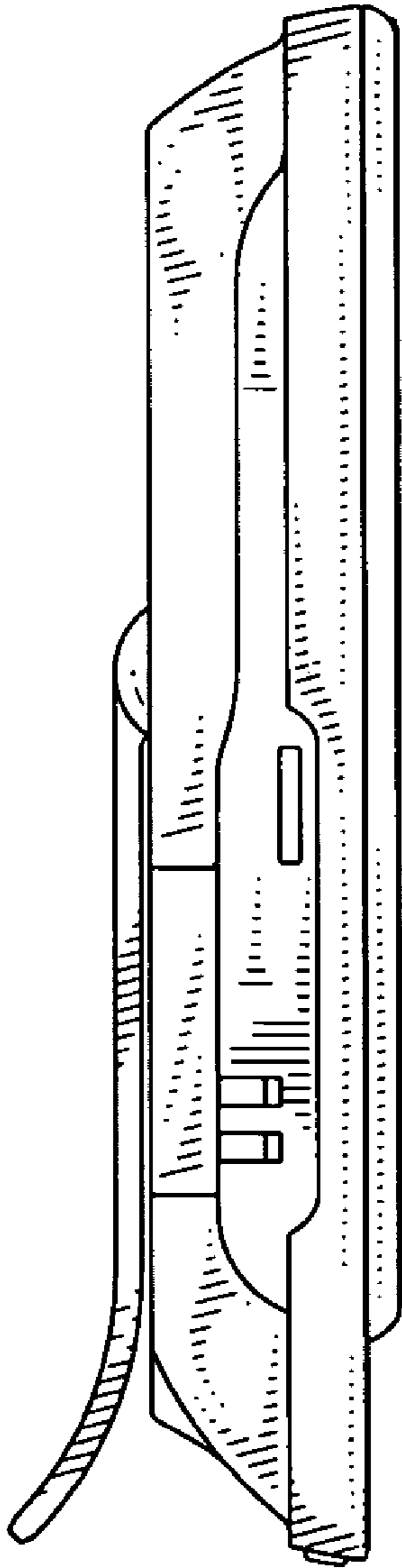


FIG. 4

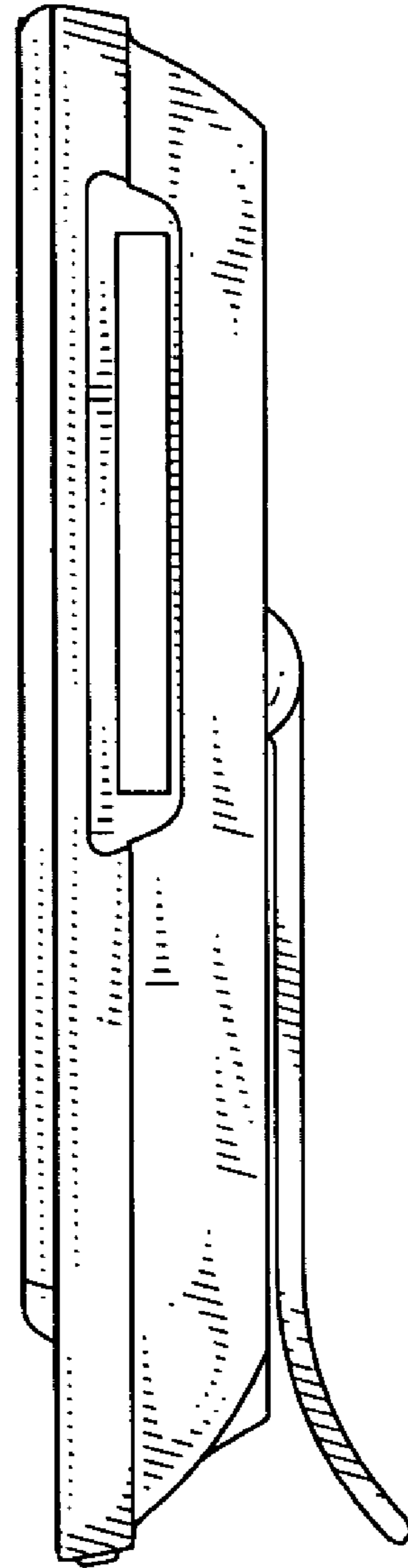


FIG. 5

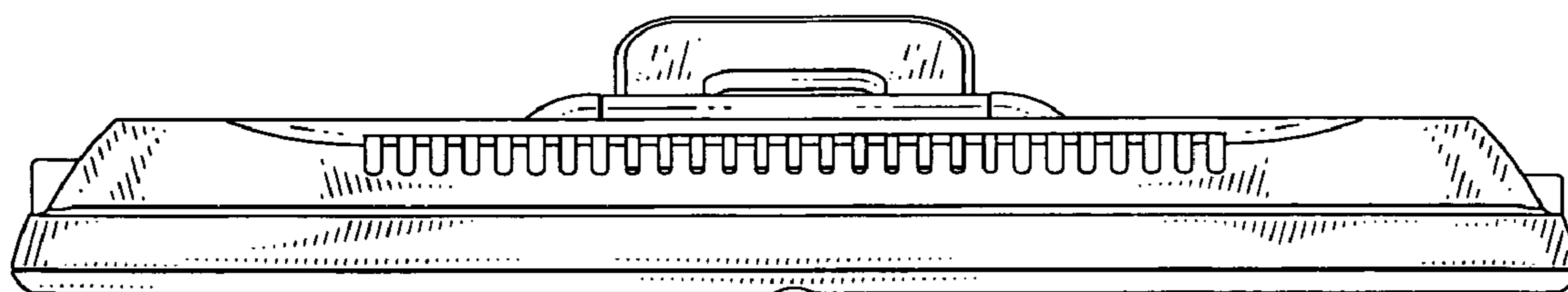


FIG. 6

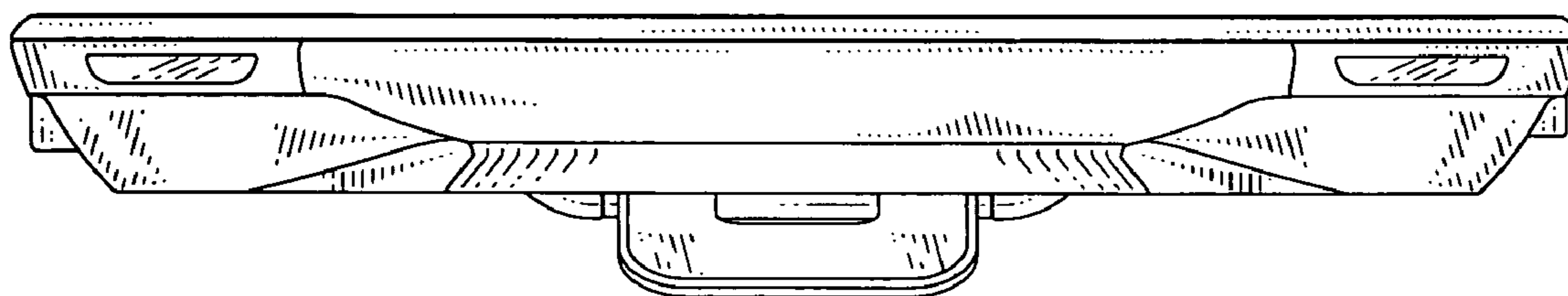


FIG. 7