



US00D605643S

(12) **United States Design Patent**
Landry et al.

(10) **Patent No.:** **US D605,643 S**

(45) **Date of Patent:** **** Dec. 8, 2009**

(54) **ROUTER**

(75) Inventors: **Christian C Landry**, Harvard, MA (US); **Daniel K Harden**, Palo Alto, CA (US); **Hiroto Teranishi**, Palo Alto, CA (US); **David S Benavidez**, Santa Clara, CA (US)

(73) Assignee: **Cisco Technology, Inc.**, San Jose, CA (US)

(**) Term: **14 Years**

(21) Appl. No.: **29/305,578**

(22) Filed: **Mar. 24, 2008**

(51) **LOC (9) Cl.** **14-03**

(52) **U.S. Cl.** **D14/240**

(58) **Field of Classification Search** D14/240,
D14/242, 140, 218; D13/168, 184; 360/69;
379/220.01, 220.02, 25, 93.09, 93.15, 93.14,
379/156, 900; 455/550.1, 557

See application file for complete search history.

(56) **References Cited**

U.S. PATENT DOCUMENTS

D354,500 S * 1/1995 Georgopoulos D14/242
D392,644 S * 3/1998 McGugan D14/240
D392,645 S * 3/1998 Wakabayashi D14/240
D435,041 S * 12/2000 Coker et al. D14/240

D453,154 S * 1/2002 Ástradsson D14/240
D478,894 S * 8/2003 Oikawa D14/218
D485,829 S * 1/2004 Lee D14/240
D489,059 S * 4/2004 Dendou et al. D14/242
D530,316 S * 10/2006 Hsu et al. D14/240
D535,651 S * 1/2007 Wong et al. D14/240
D548,731 S * 8/2007 Liu et al. D14/240
D583,367 S * 12/2008 Chen D14/240

* cited by examiner

Primary Examiner—Charles A Rademaker

(74) *Attorney, Agent, or Firm*—Haynes and Boone, LLP.

(57) **CLAIM**

The ornamental design for a router, as shown and described.

DESCRIPTION

FIG. 1 is a top view showing our new router;

FIG. 2 is a bottom view thereof;

FIG. 3 is a front view thereof;

FIG. 4 is a back view thereof;

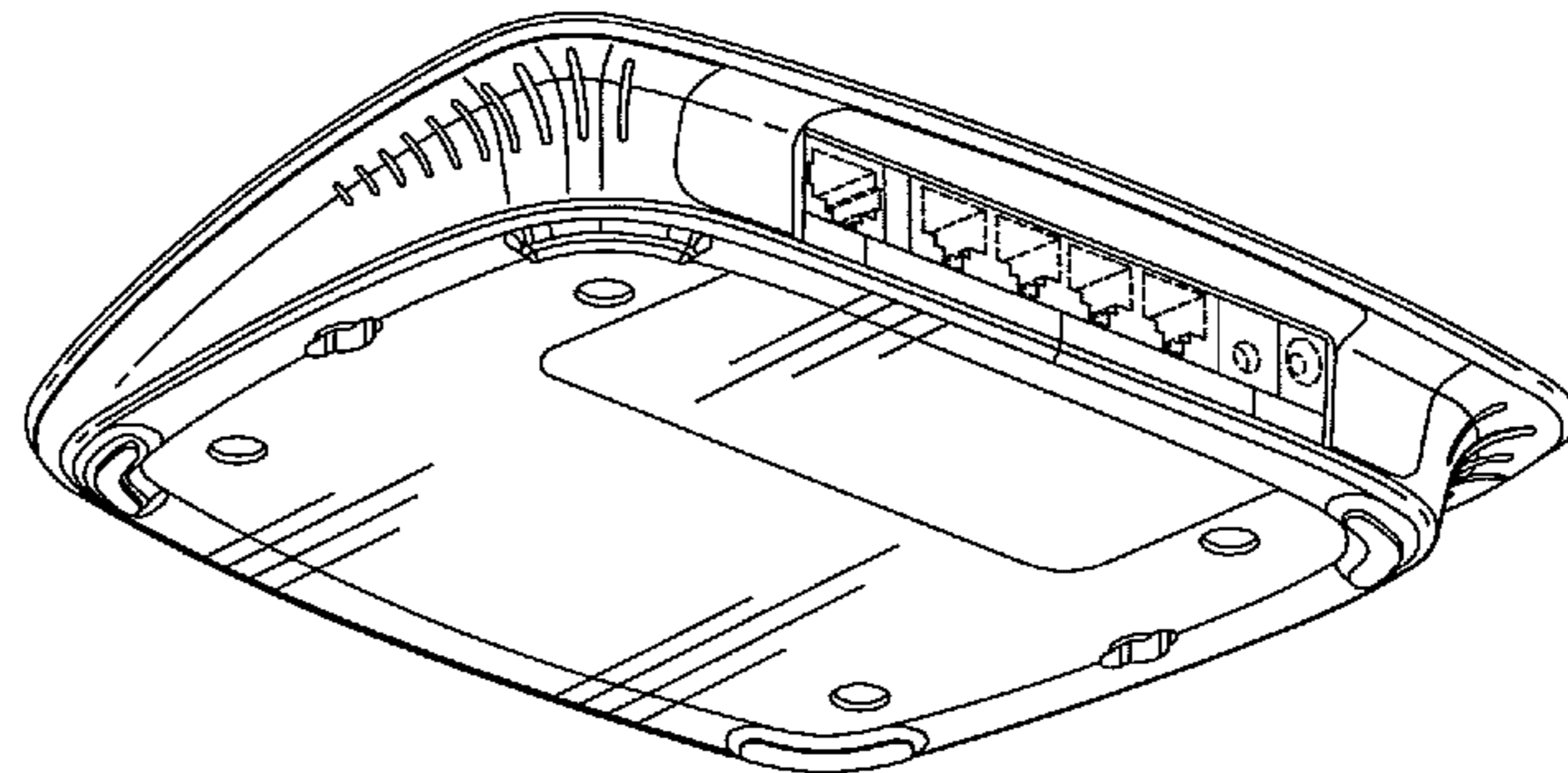
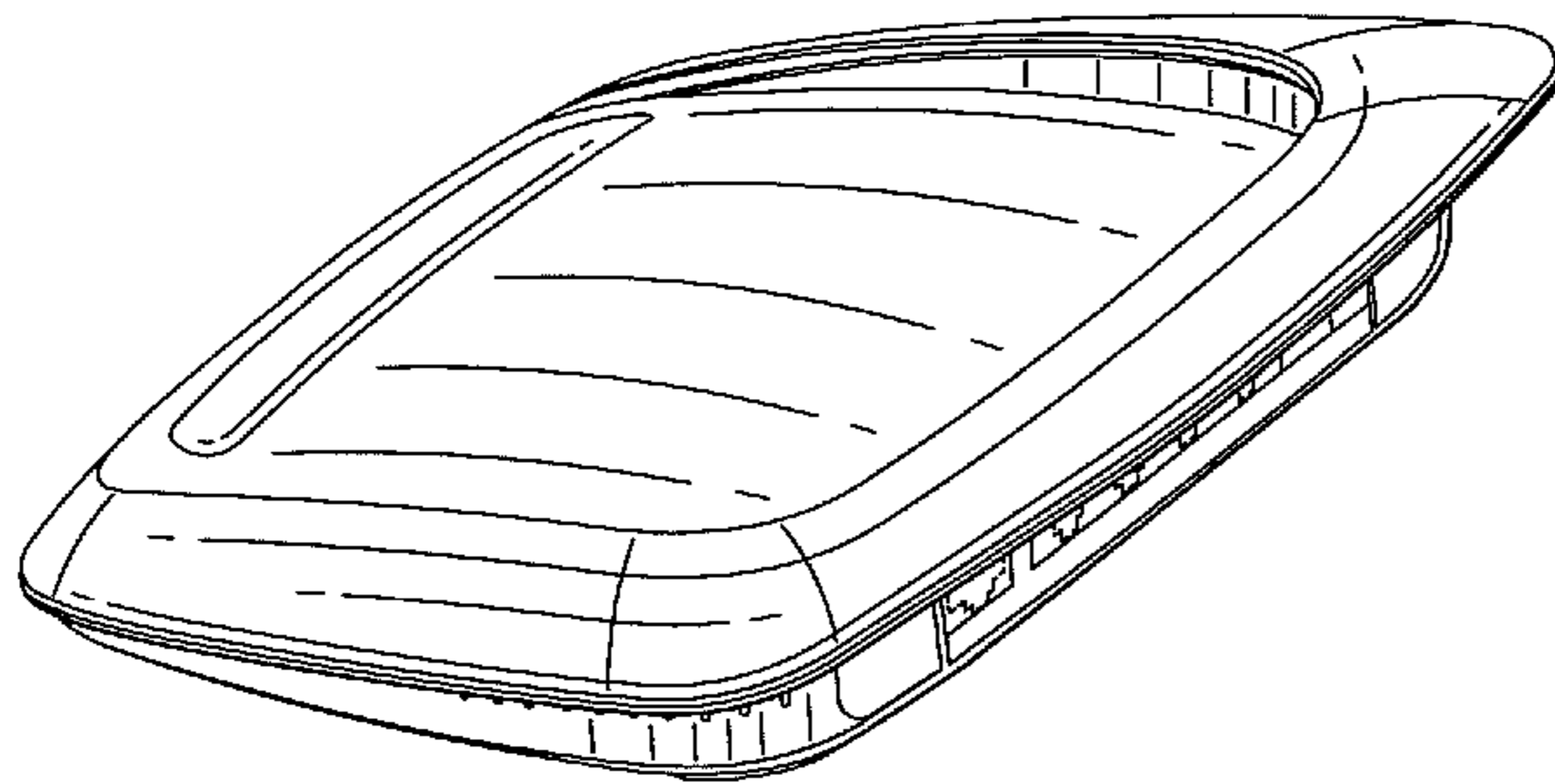
FIG. 5 is a side view thereof;

FIG. 6 is a top perspective view thereof; and,

FIG. 7 is a bottom perspective view thereof.

The broken lines shown in the figure drawings are included for the purpose of illustrating structural environment and form no part of the claimed design.

1 Claim, 2 Drawing Sheets



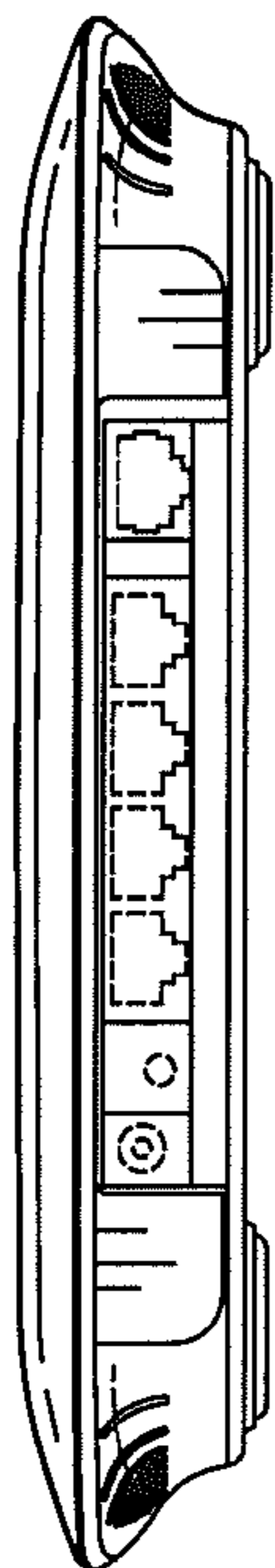


FIG. 4

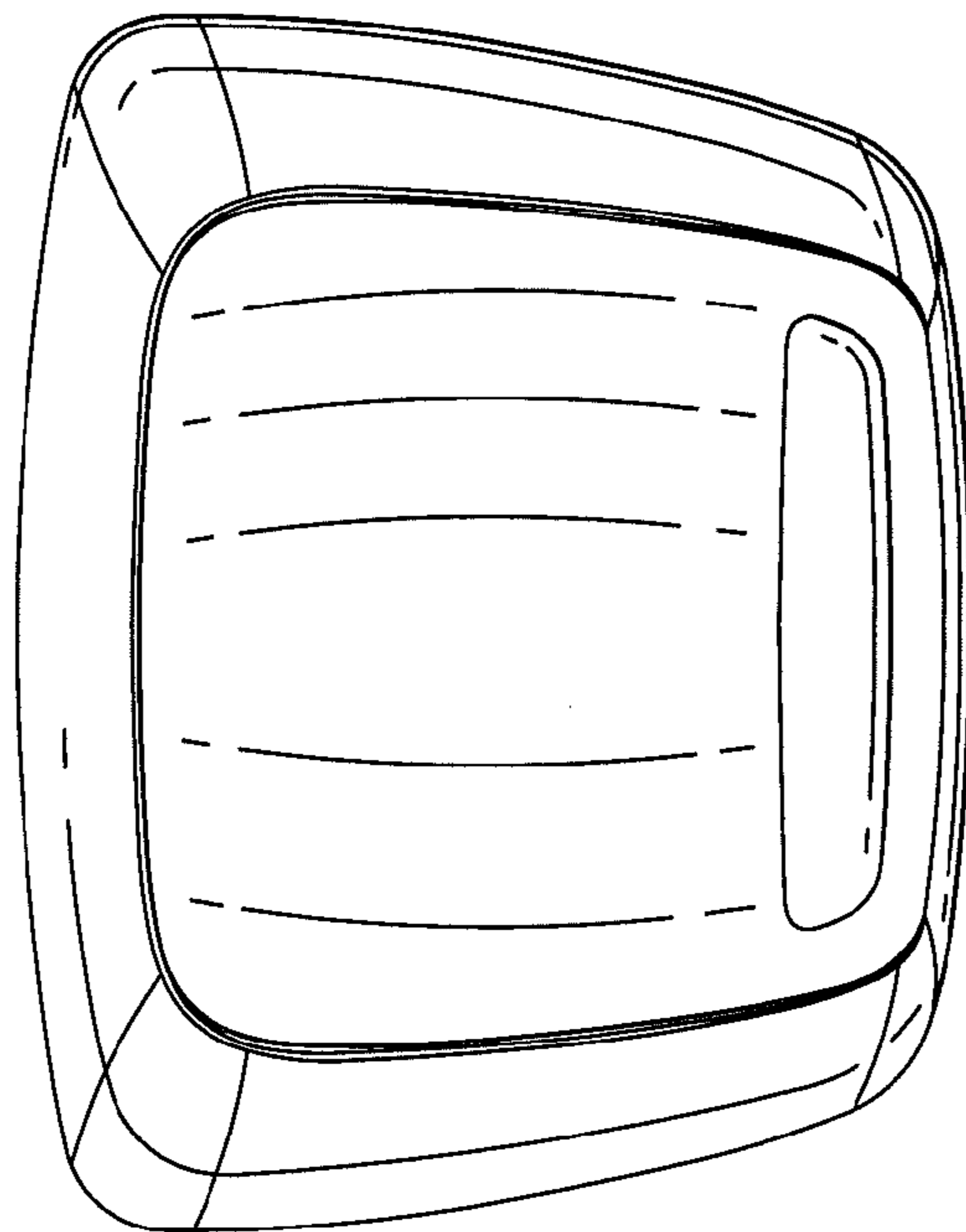


FIG. 1

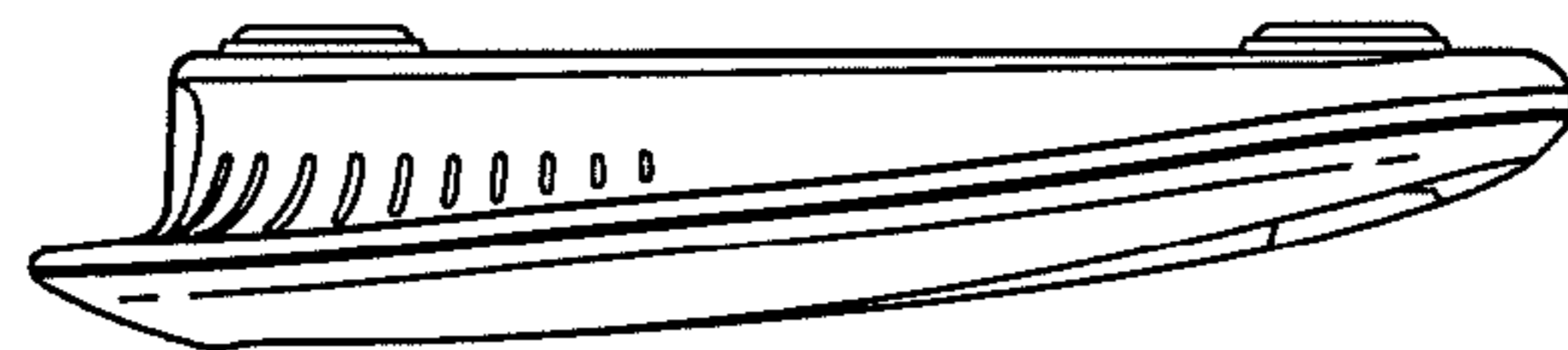


FIG. 5

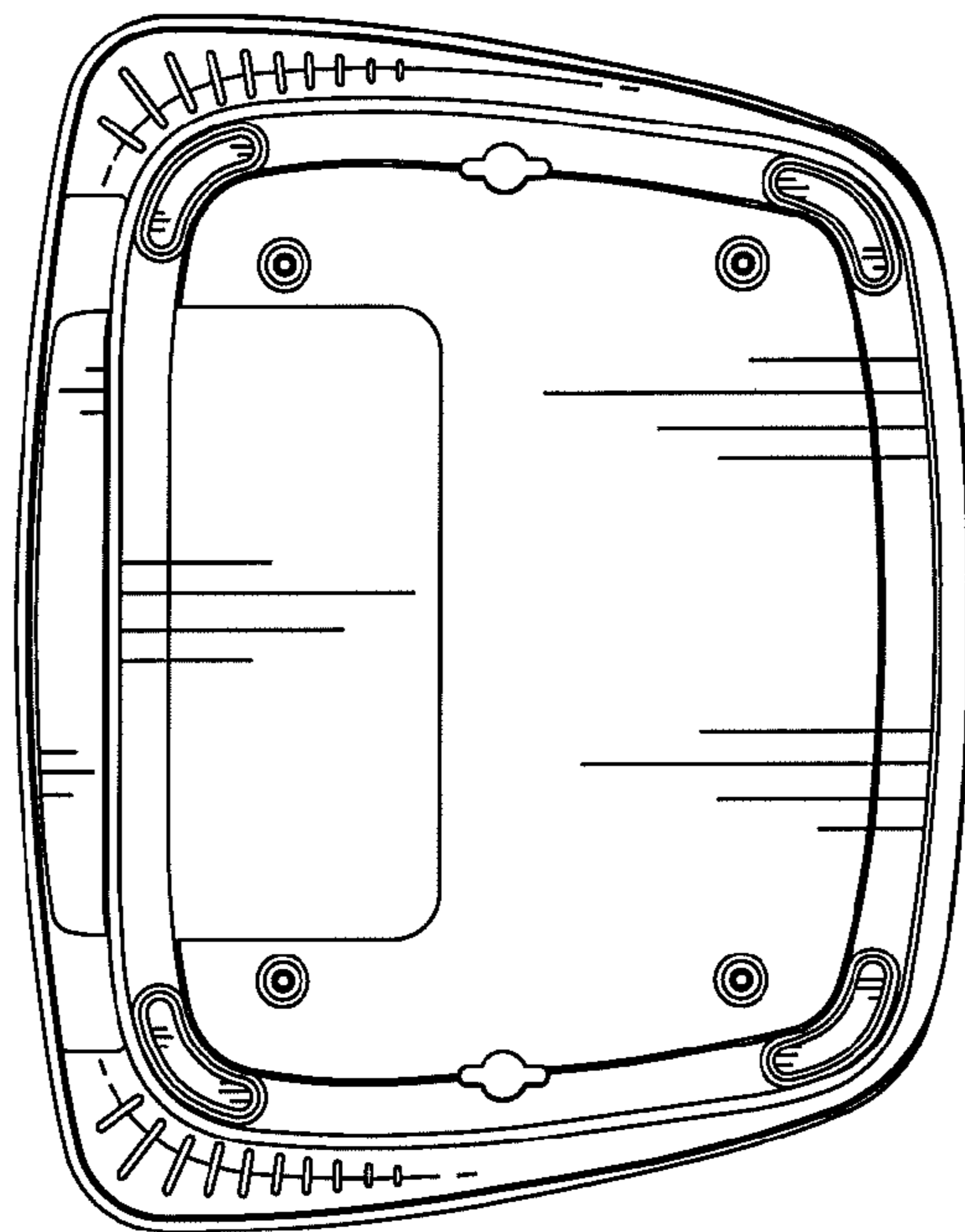


FIG. 2

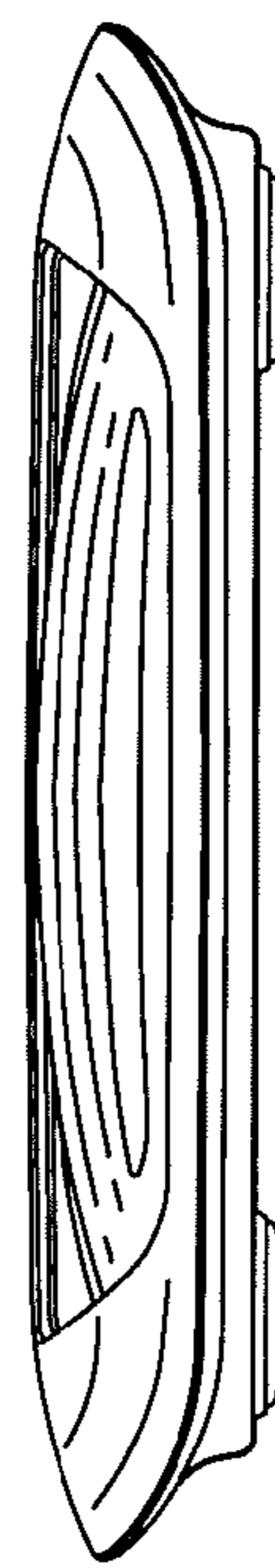


FIG. 3

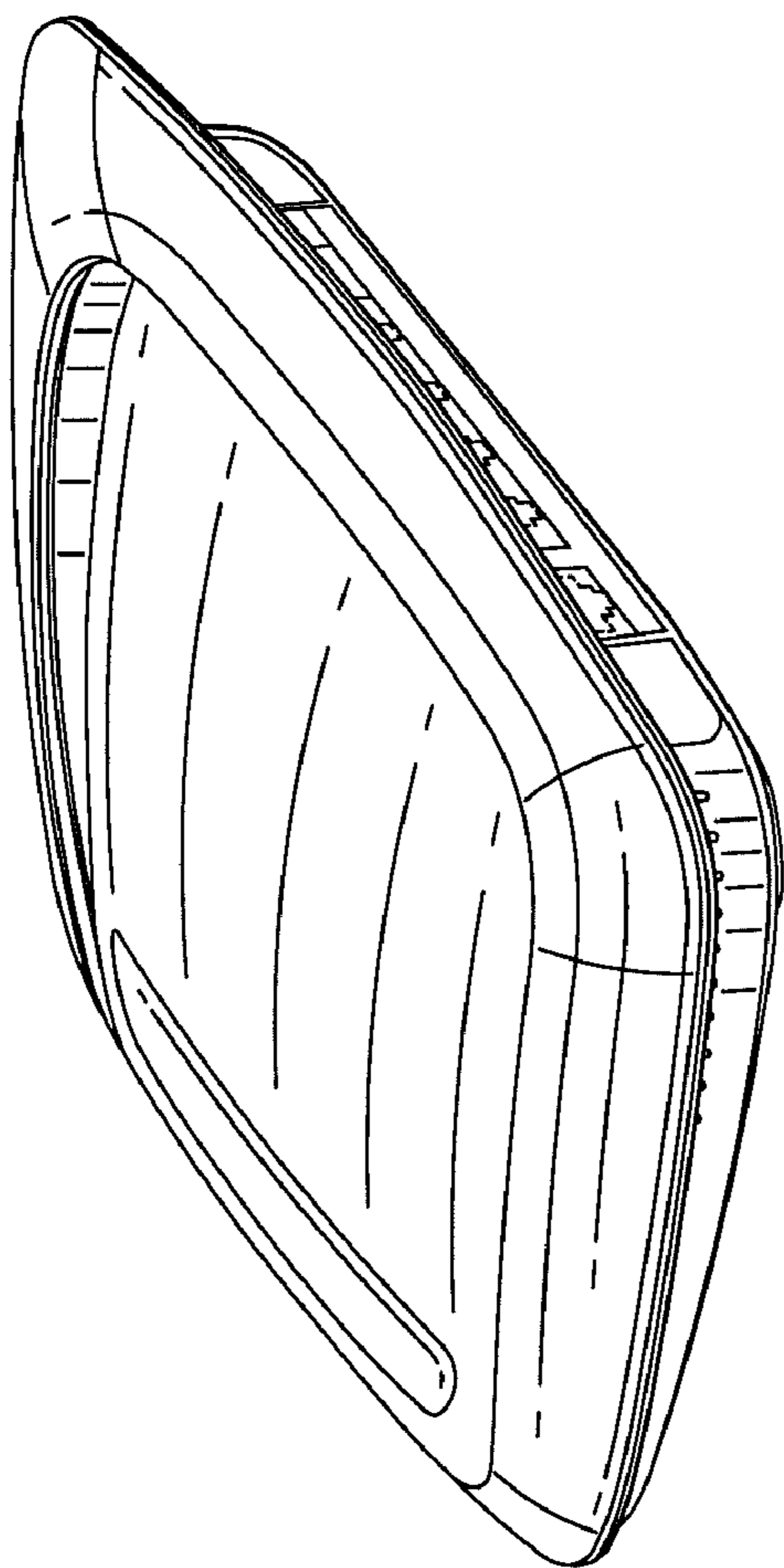


FIG. 6

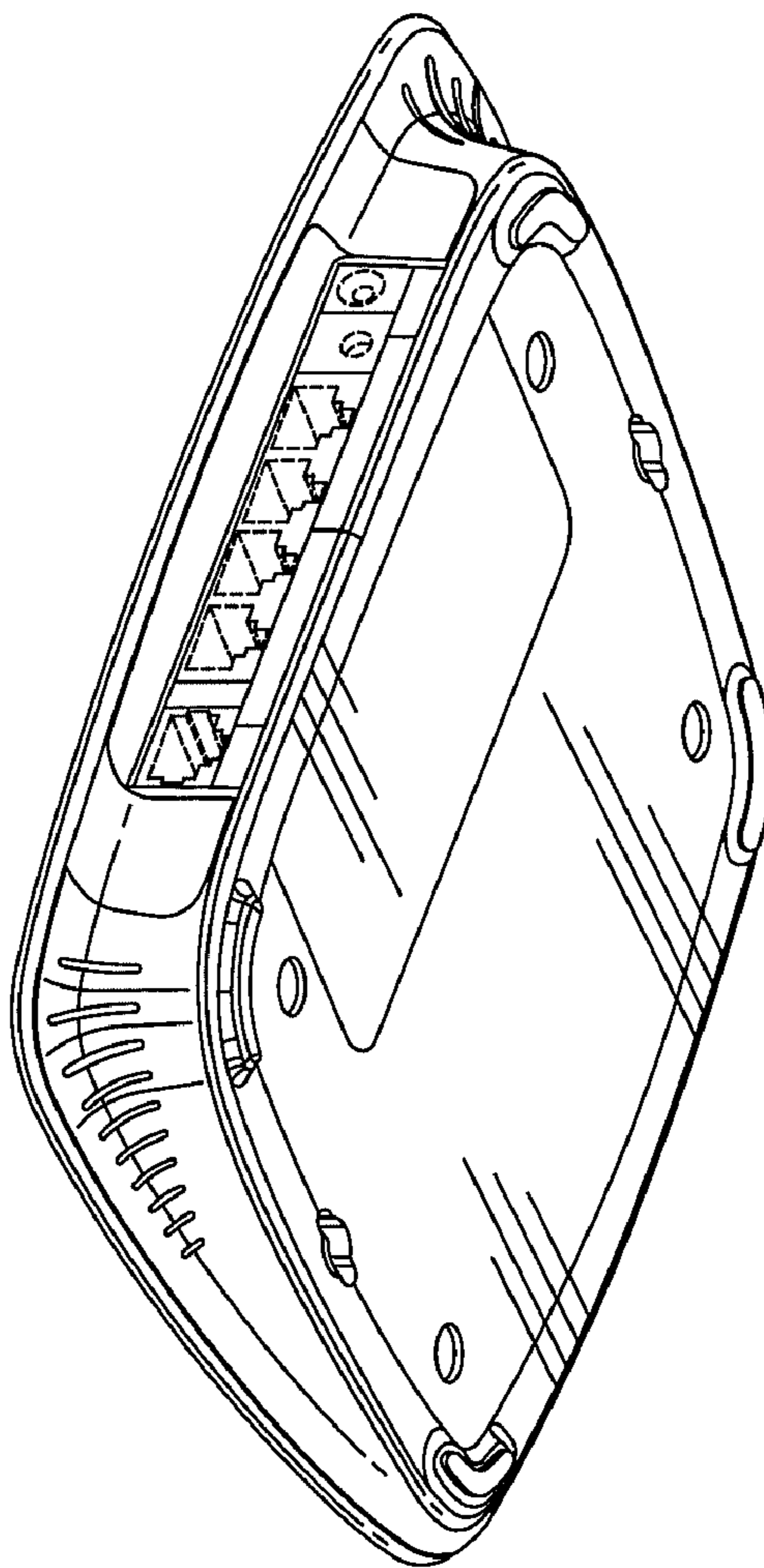


FIG. 7