



US00D605642S

(12) **United States Design Patent**
Yakubo

(10) **Patent No.:** **US D605,642 S**

(45) **Date of Patent:** **** Dec. 8, 2009**

(54) **CONTACTLESS DATA CARRIER**

(75) Inventor: **Yuto Yakubo**, Kanagawa (JP)

(73) Assignee: **Semiconductor Energy Laboratory Co., Ltd.**, Kanagawa-Ken (JP)

(**) Term: **14 Years**

(21) Appl. No.: **29/332,810**

(22) Filed: **Feb. 26, 2009**

(30) **Foreign Application Priority Data**

Sep. 10, 2008 (JP) 2008-023297

(51) **LOC (9) Cl.** **14-03**

(52) **U.S. Cl.** **D14/230**

(58) **Field of Classification Search** D14/138,
D14/230-238, 299, 358, 437; D12/42, 43;
343/700 MS, 700 R-705, 711-713, 741,
343/748, 767, 795, 819, 840, 846, 866, 871-908;
455/90.2, 90.3, 91, 128, 269, 344, 347, 562.1
See application file for complete search history.

(56) **References Cited**

U.S. PATENT DOCUMENTS

3,810,147	A *	5/1974	Lichtblau	340/572.3
4,605,845	A *	8/1986	Takeda	235/382
D358,142	S *	5/1995	Gloton	D14/437
6,381,416	B2 *	4/2002	Manico et al.	396/207
6,772,546	B2 *	8/2004	Latschbacher et al.	...	40/299.01
7,335,556	B2 *	2/2008	Yamaguchi et al.	438/257
7,345,583	B2 *	3/2008	Reid et al.	340/568.1
7,354,801	B2 *	4/2008	Sugiyama et al.	438/113
7,471,205	B2 *	12/2008	Garber et al.	340/572.4
2007/0023758	A1 *	2/2007	Tsurume et al.	257/66
2007/0107827	A1 *	5/2007	Takahashi et al.	156/64
2008/0001825	A1 *	1/2008	Kurokawa et al.	343/700 MS
2008/0048180	A1 *	2/2008	Abe et al.	257/40
2008/0087990	A1 *	4/2008	Kato et al.	257/664
2008/0138971	A1 *	6/2008	Yamaguchi et al.	438/593
2008/0220570	A1 *	9/2008	Ohnuma et al.	438/166
2008/0237779	A1 *	10/2008	Yamazaki et al.	257/507
2008/0245880	A1 *	10/2008	Yamazaki	235/492

2008/0277660 A1* 11/2008 Tsurume et al. 257/48

FOREIGN PATENT DOCUMENTS

JP 2007-264696 A 10/2007

OTHER PUBLICATIONS

Photo of RFID tag from <http://media.prylfeber.se> dated Apr. 28, 2006.*

Photo of Texas Instruments RFID tags from <http://www.mwrf.com> dated May 6, 2005.*

Drawing of RFID tag from <http://www.cst.com> dated Jan. 13, 2007.*

Photo of RFID tag from <http://unmediated.org> dated Oct. 11, 2007.*

* cited by examiner

Primary Examiner—T. Chase Nelson

Assistant Examiner—John Windmuller

(74) *Attorney, Agent, or Firm*—Nixon Peabody LLP; Jeffrey L. Costellia

(57) **CLAIM**

We claim, the ornamental design for a contactless data carrier, as shown and described.

DESCRIPTION

The contactless data carrier is used to conduct wireless communication.

FIG. 1 is a top plan view;

FIG. 2 is a bottom plan view;

FIG. 3 is a front elevational view;

FIG. 4 is a rear elevational view;

FIG. 5 is a right side elevational view;

FIG. 6 is a left side elevational view;

FIG. 7 is a perspective view showing a top side, a front side, and a right side thereof; and,

FIG. 8 is a perspective view showing a bottom side, a rear side, and a left side thereof.

The broken lines in the figures depict portions of the contactless data carrier that form no part of the claimed design.

1 Claim, 8 Drawing Sheets

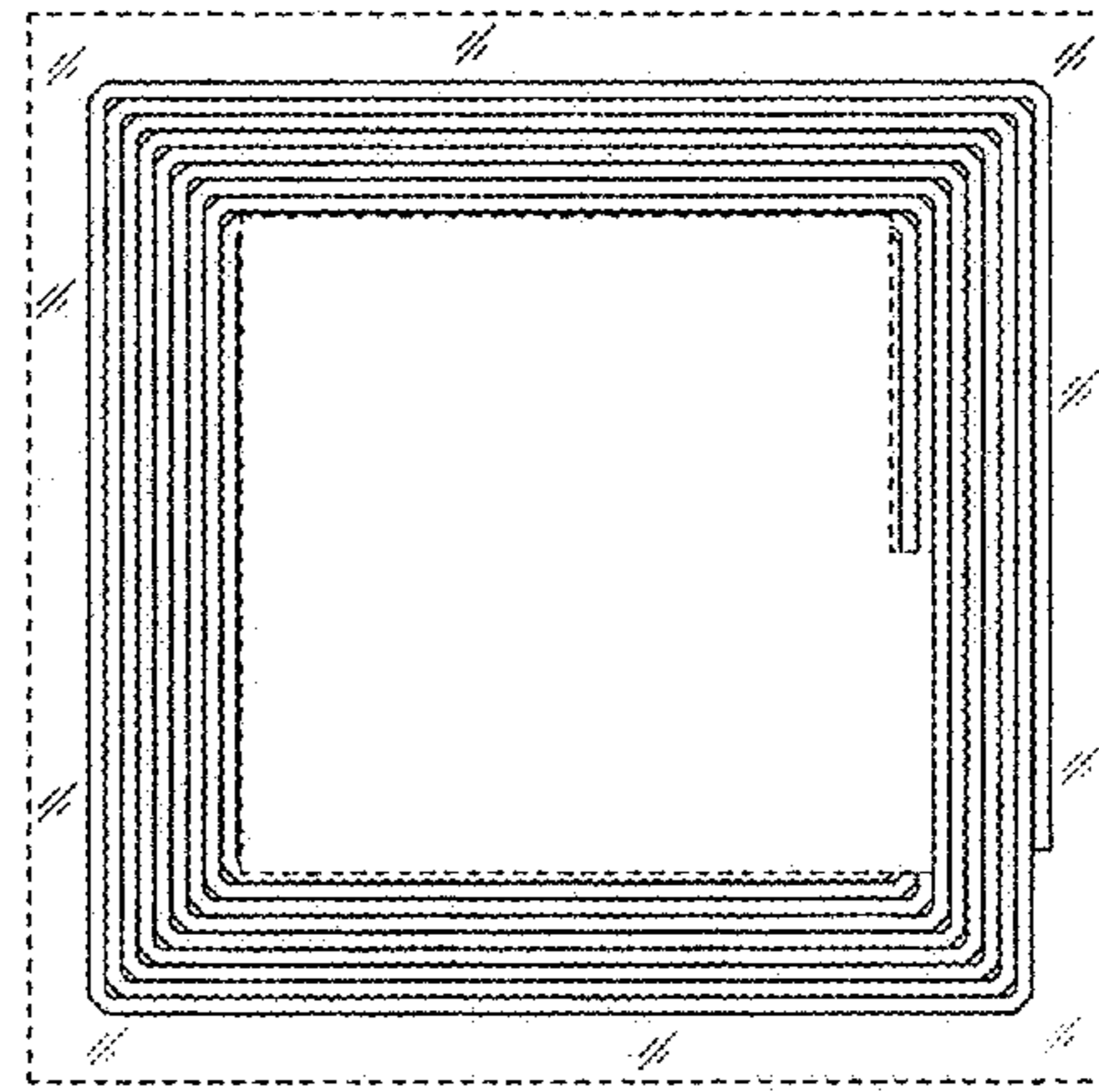
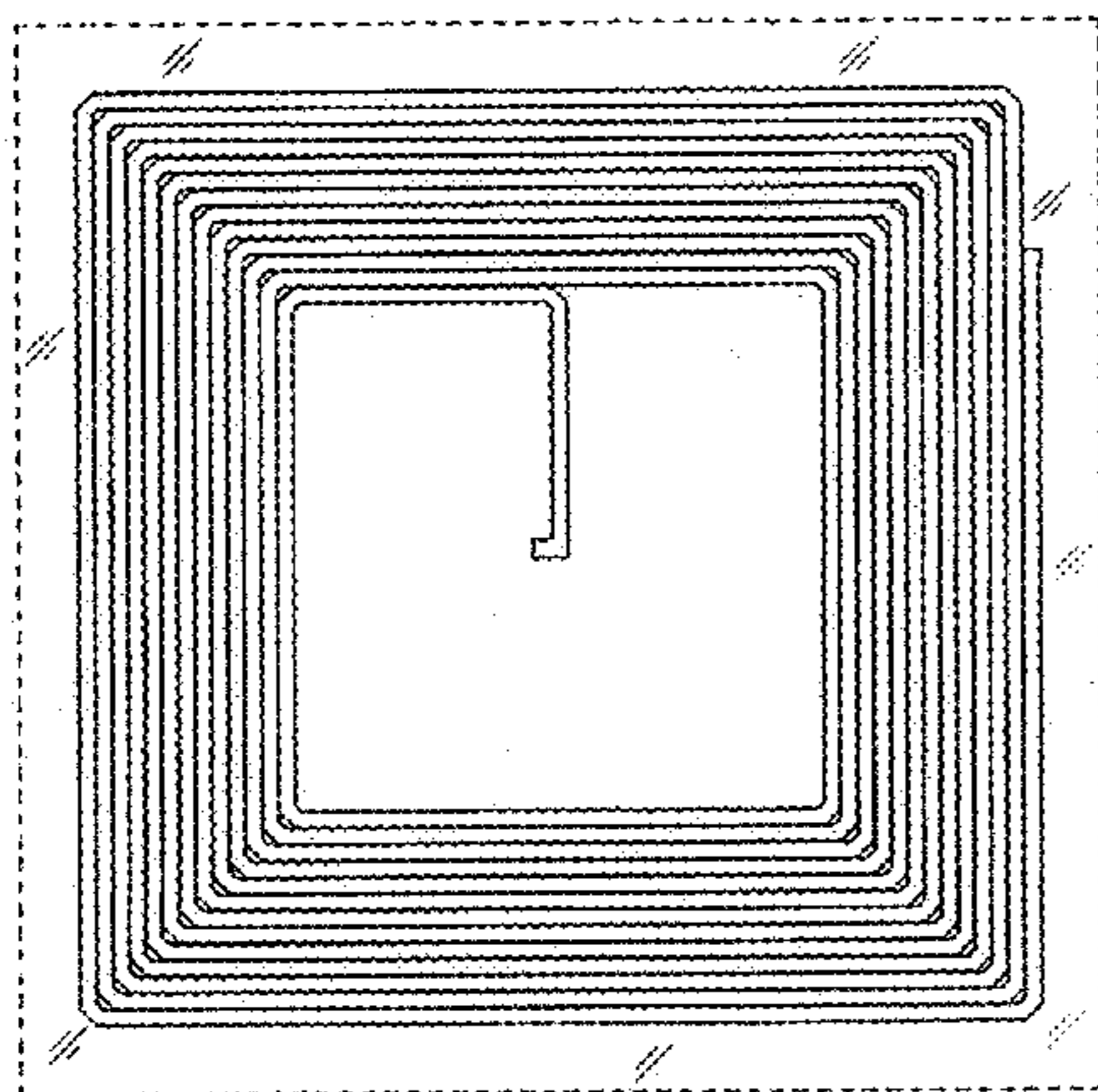


Figure 1

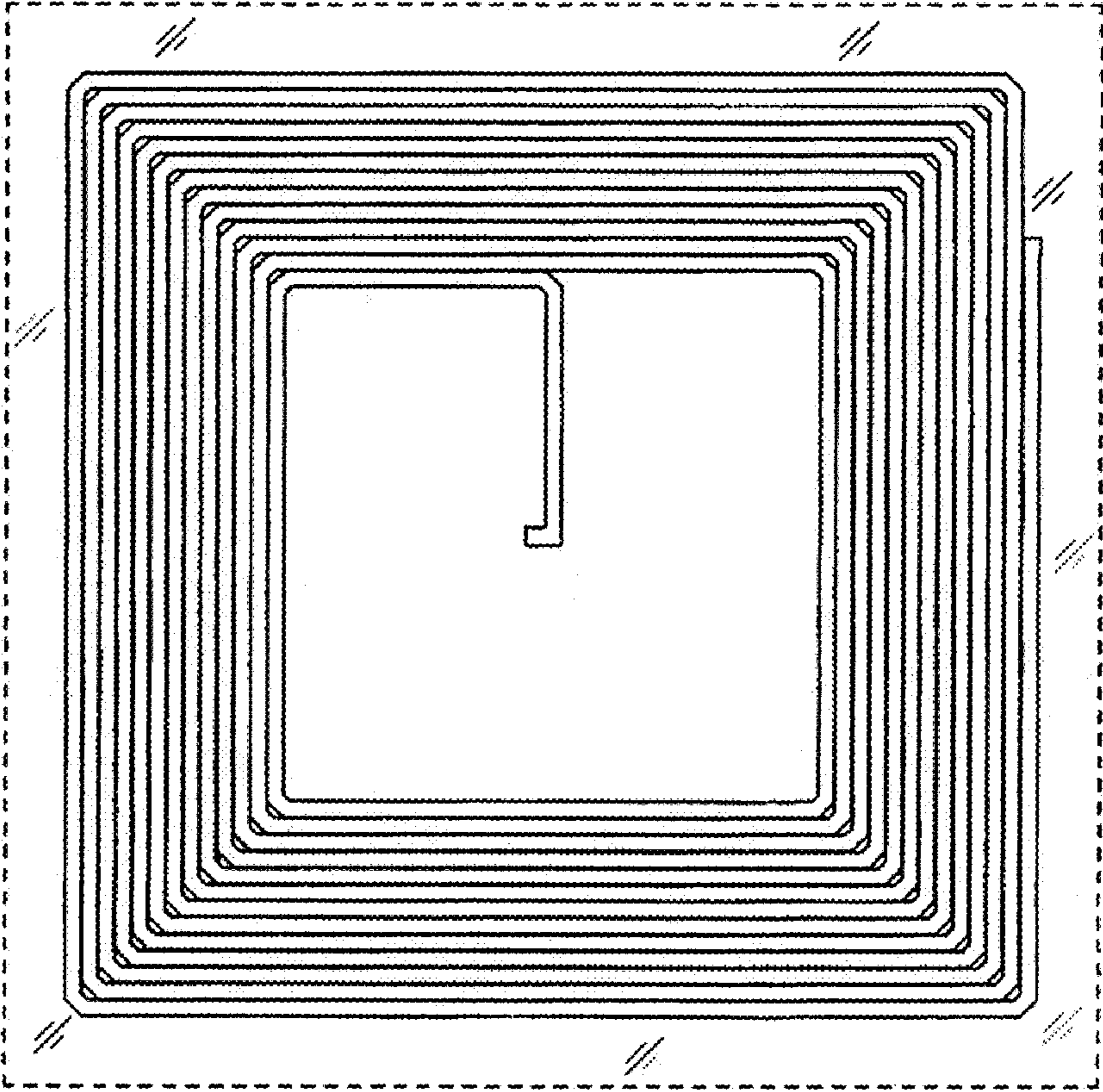


Figure 2

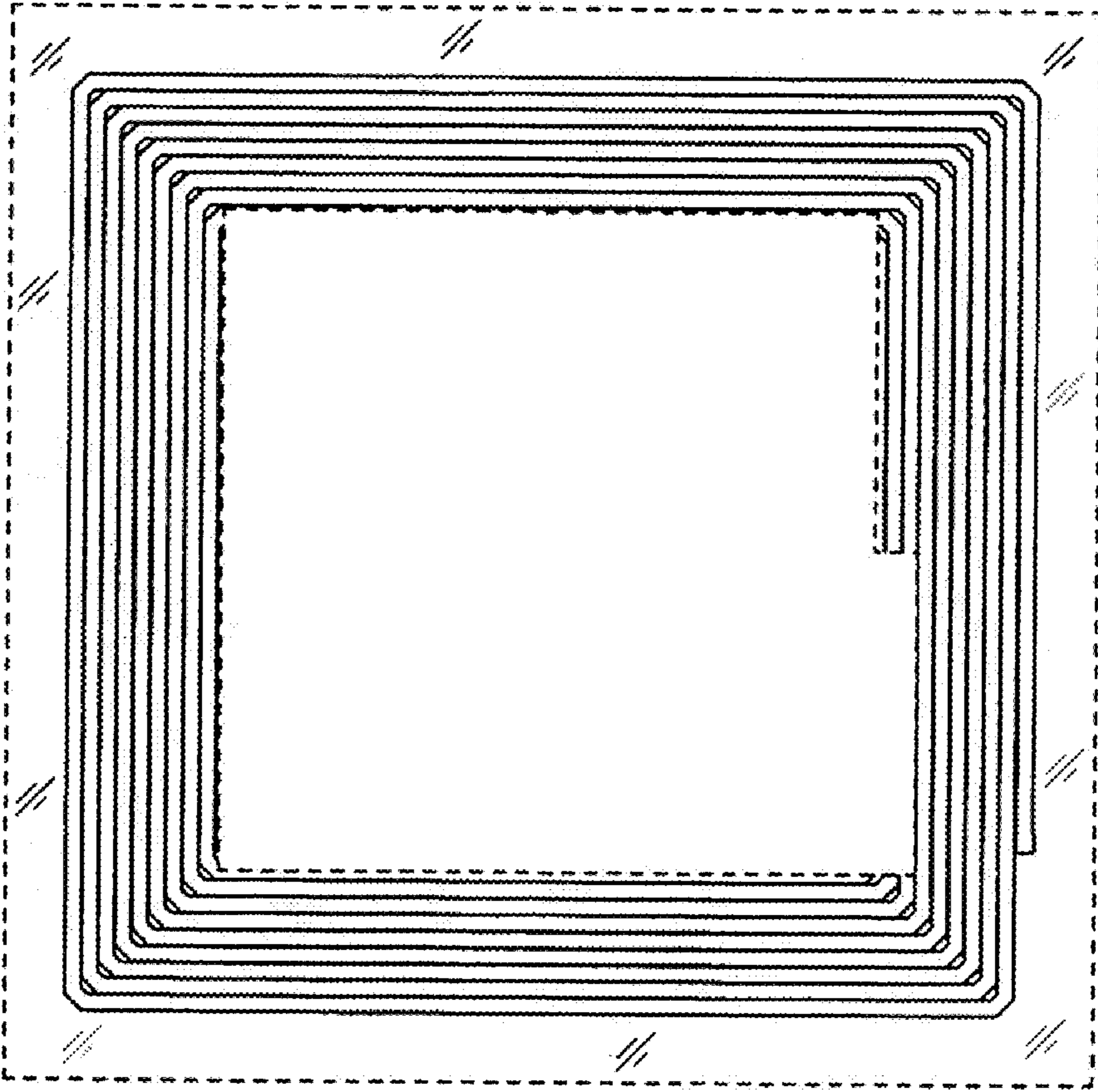


Figure 3

Figure 4

Figure 5

Figure 6

Figure 7

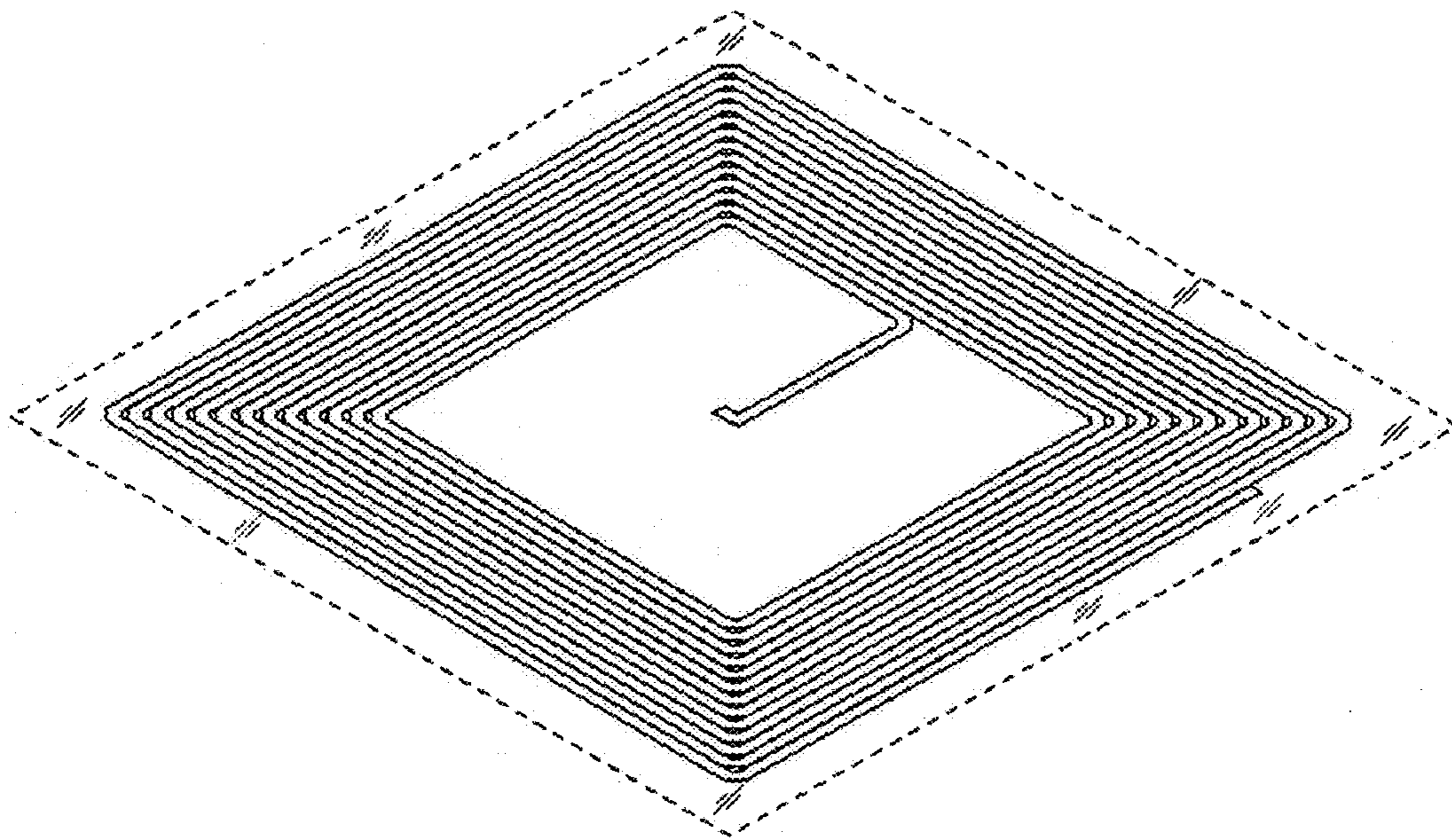


Figure 8

