



US00D605640S

(12) **United States Design Patent**  
**Wu et al.**

(10) **Patent No.:** **US D605,640 S**

(45) **Date of Patent:** **\*\* Dec. 8, 2009**

(54) **ANTENNA**

(75) Inventors: **Hsin Tsung Wu**, Tu-Cheng (TW); **Yu Hung Su**, Tu-Cheng (TW); **Shin Ting Yeh**, Tu-Cheng (TW)

(73) Assignee: **Cheng Uei Precision Industry Co., Ltd.**, Taipei Hsien (TW)

(\*\*) Term: **14 Years**

(21) Appl. No.: **29/311,714**

(22) Filed: **Jun. 3, 2009**

(51) **LOC (9) Cl.** ..... **14-03**

(52) **U.S. Cl.** ..... **D14/230**

(58) **Field of Classification Search** ..... D14/138,  
D14/230-238, 299, 358; D12/42, 43; 343/700 MS,  
343/700 R-705, 711-713, 741, 748, 767,  
343/795, 819, 840, 846, 866, 871-908; 455/90.2,  
455/90.3, 91, 128, 269, 344, 347, 562.1  
See application file for complete search history.

(56) **References Cited**

**U.S. PATENT DOCUMENTS**

D531,622 S *	11/2006	Chen et al.	.....	D14/230
D553,969 S *	10/2007	Allsopp	.....	D8/394
7,333,067 B2 *	2/2008	Hung et al.	.....	343/770
D580,418 S *	11/2008	Yang et al.	.....	D14/230
7,489,278 B2 *	2/2009	Huang	.....	343/702

2003/0189522 A1 *	10/2003	Zeilinger	.....	343/702
2005/0128151 A1 *	6/2005	Kwak et al.	.....	343/702
2007/0040750 A1 *	2/2007	Tai et al.	.....	343/700 MS
2008/0030411 A1 *	2/2008	Wen et al.	.....	343/702
2008/0252538 A1 *	10/2008	Ying	.....	343/767
2009/0002244 A1 *	1/2009	Woo	.....	343/702
2009/0027273 A1 *	1/2009	Lin et al.	.....	343/700 MS
2009/0179801 A1 *	7/2009	Tsai et al.	.....	343/700 MS

\* cited by examiner

*Primary Examiner*—T. Chase Nelson

*Assistant Examiner*—John Windmuller

(74) *Attorney, Agent, or Firm*—Rosenberg, Klein & Lee

(57) **CLAIM**

The ornamental design for an antenna, as shown and described.

**DESCRIPTION**

FIG. 1 is a perspective view of an antenna showing our new design;

FIG. 2 is a front elevational view thereof;

FIG. 3 is a rear elevational view thereof;

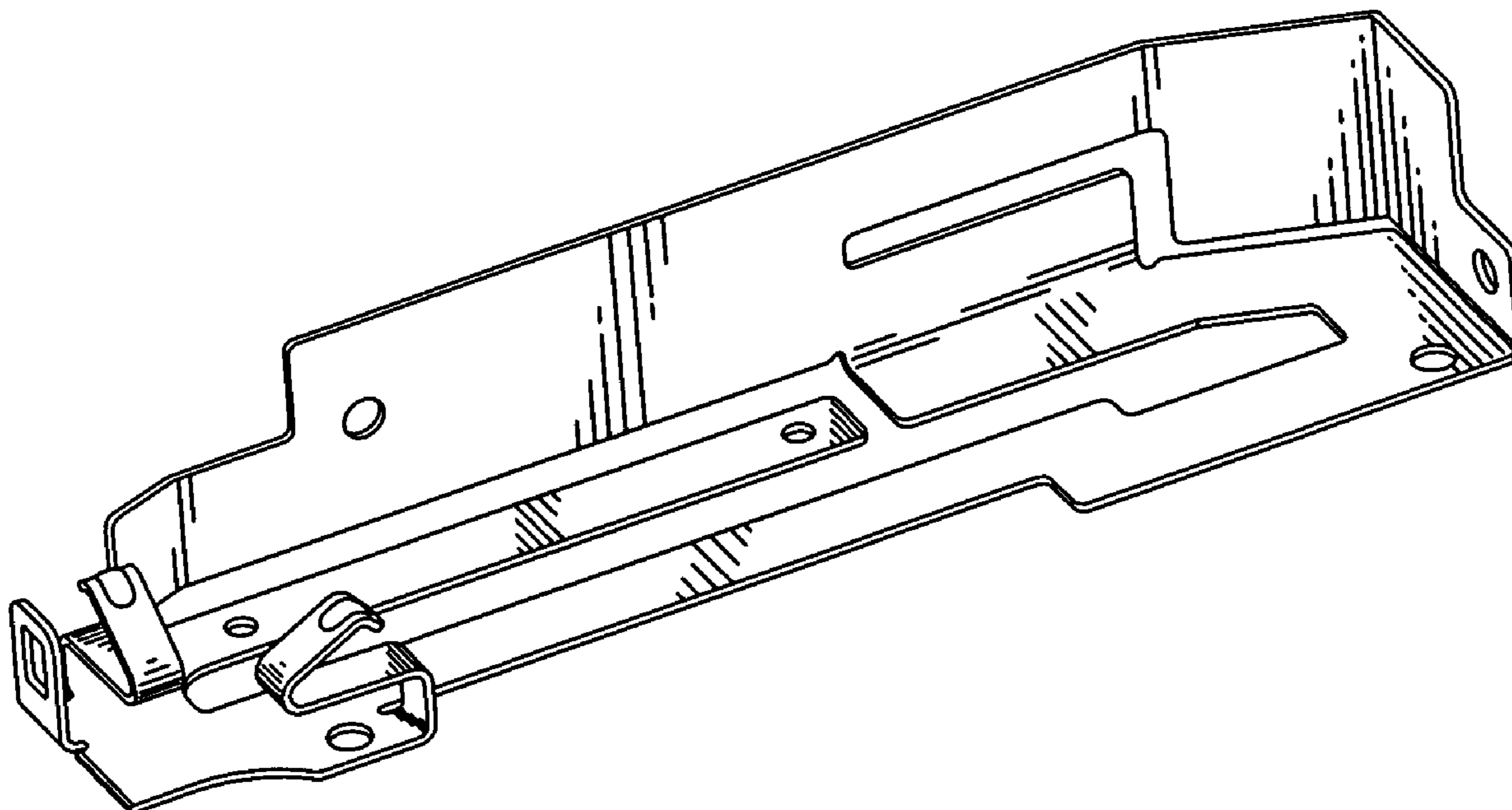
FIG. 4 is a left side elevational view thereof;

FIG. 5 is a right side elevational view thereof;

FIG. 6 is a top plan view thereof; and,

FIG. 7 is a bottom plan view thereof.

**1 Claim, 7 Drawing Sheets**



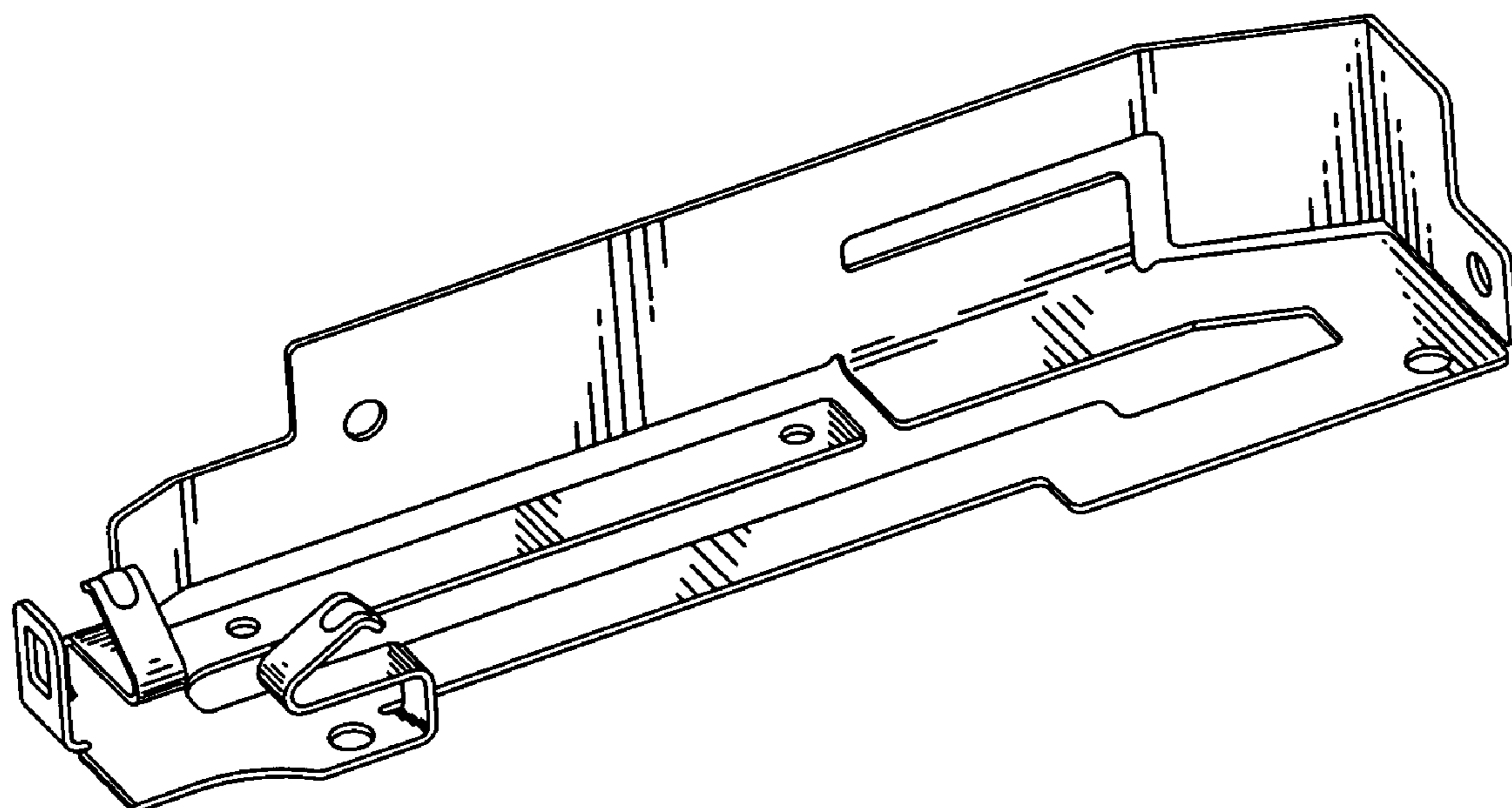


FIG. 1

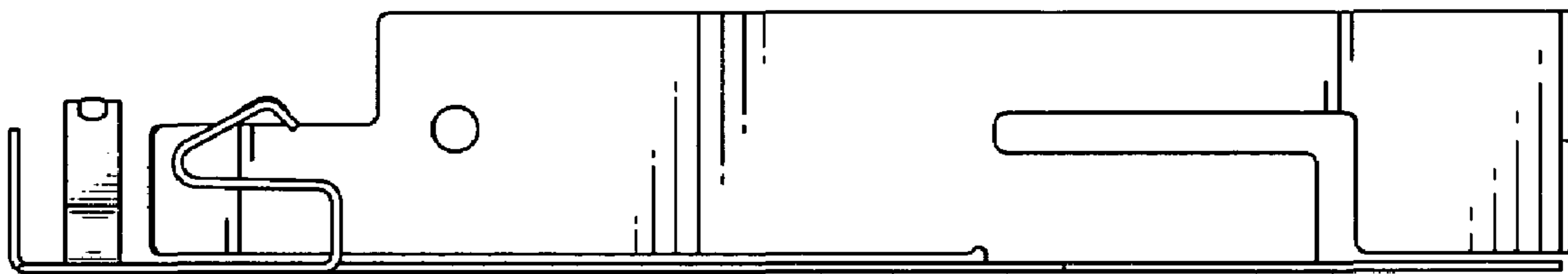


FIG. 2

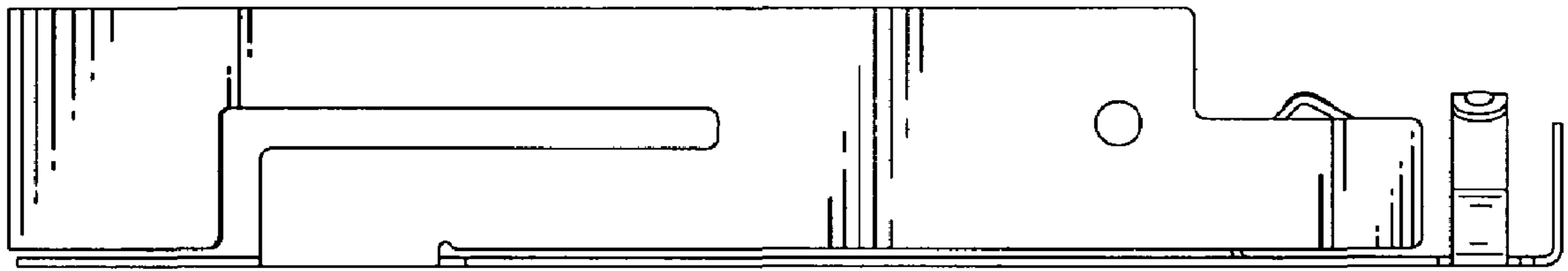


FIG. 3

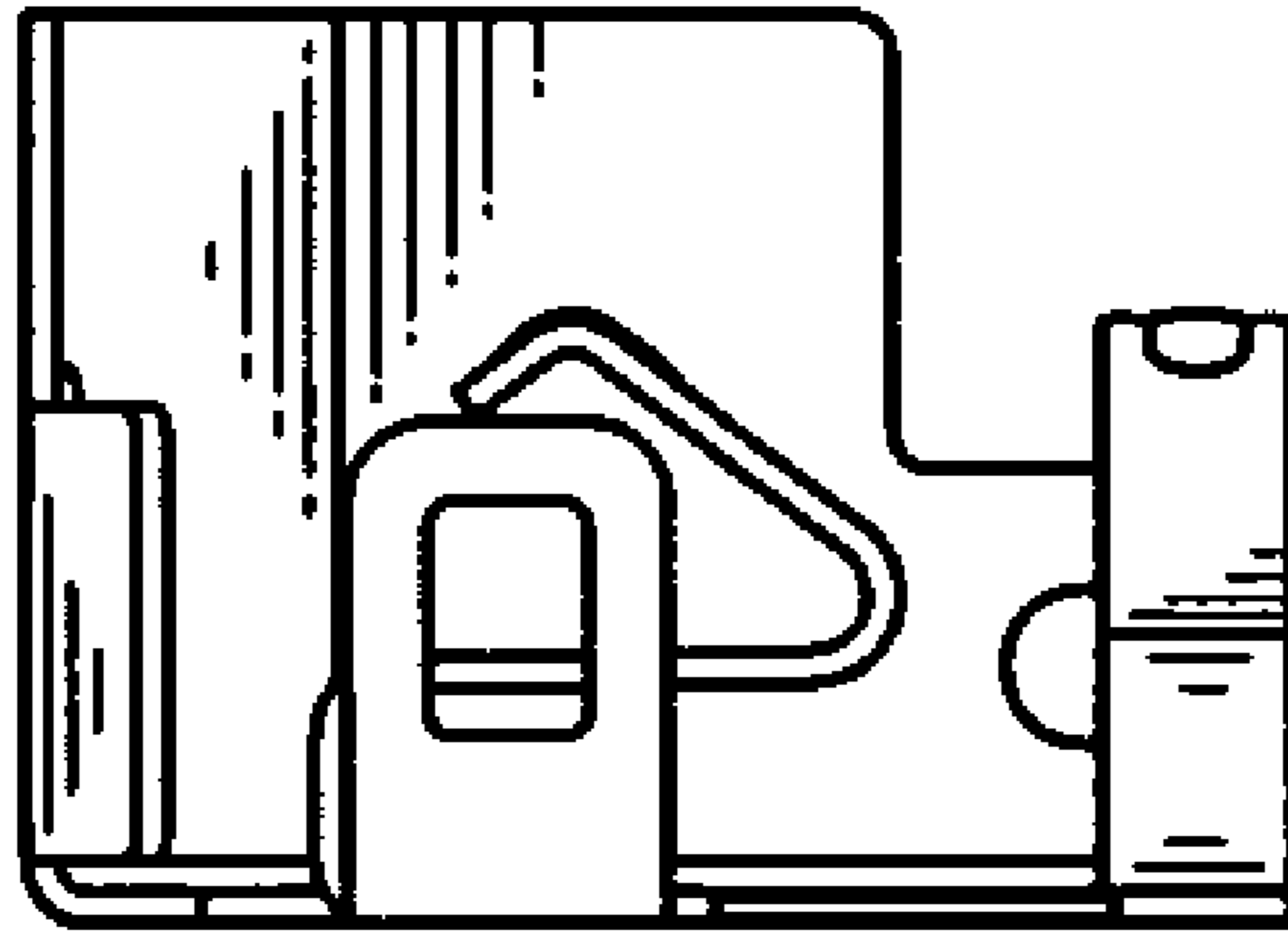


FIG. 4

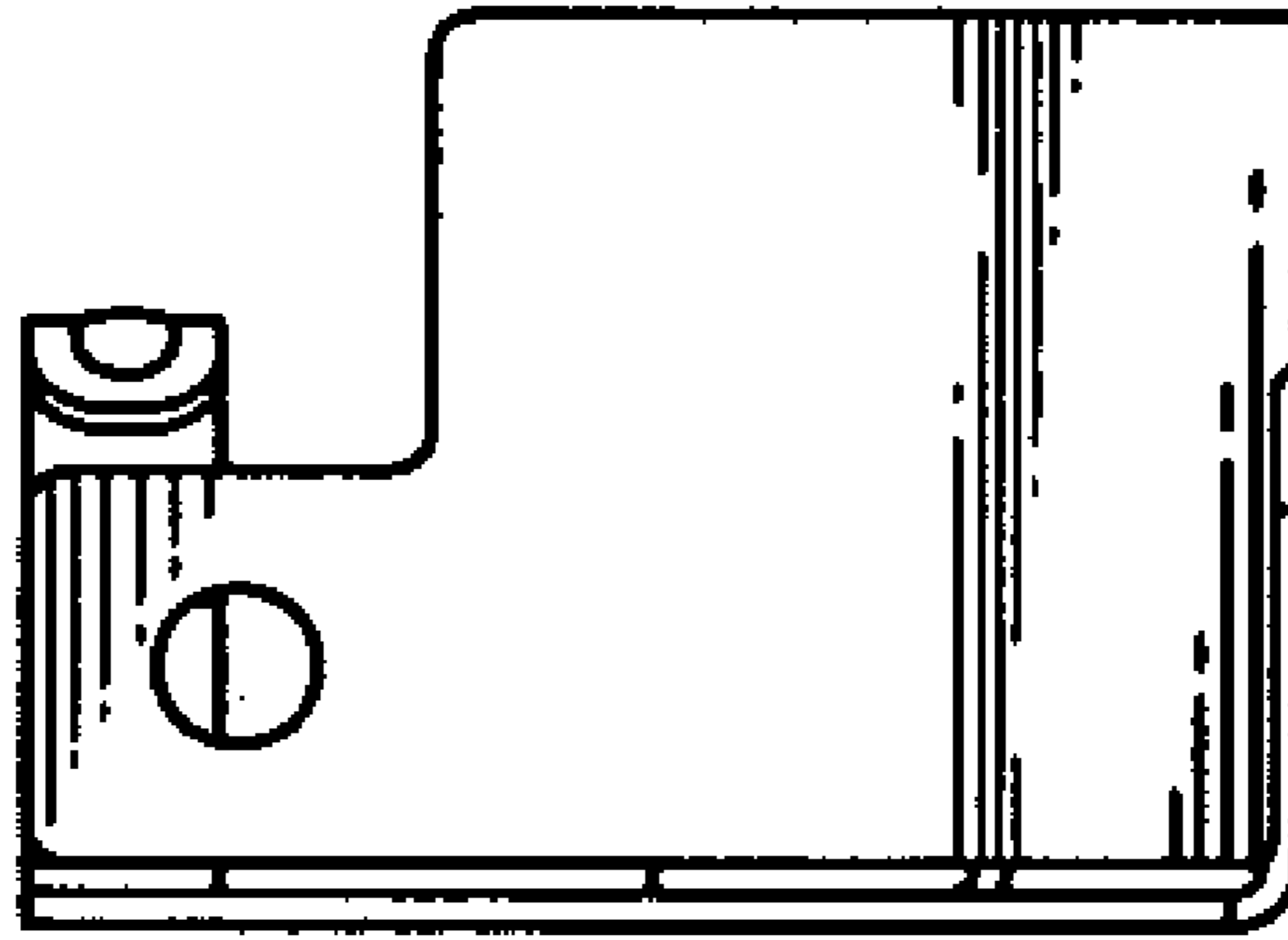


FIG. 5

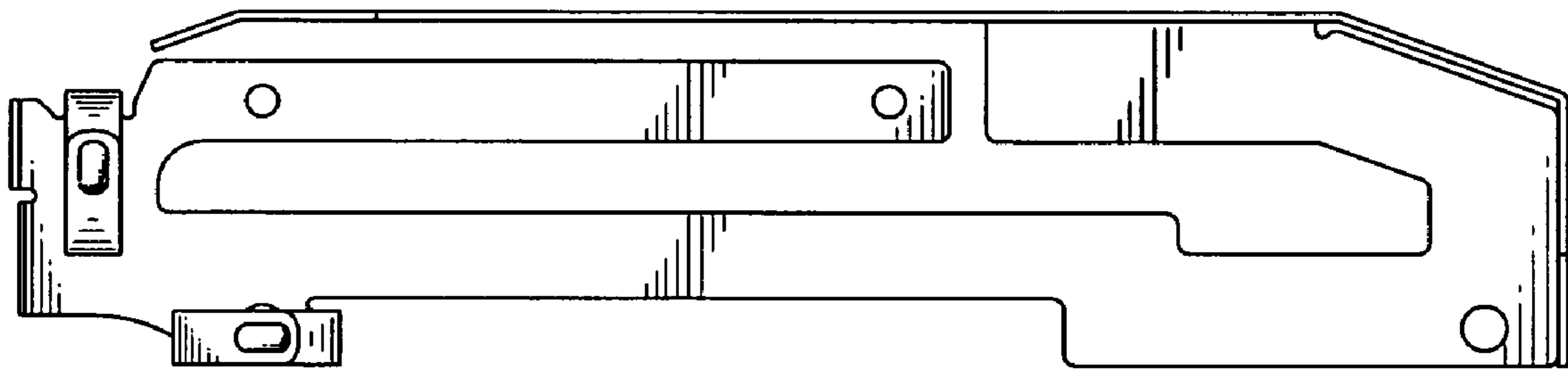


FIG. 6

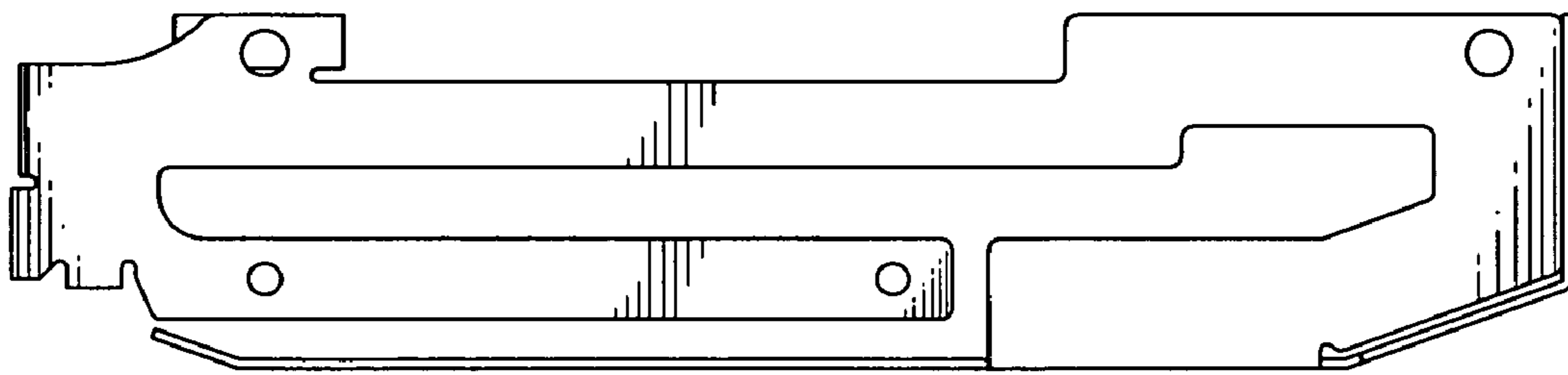


FIG. 7