

US00D605638S

(12) **United States Design Patent**
Vasilkov

(10) **Patent No.:** **US D605,638 S**

(45) **Date of Patent:** **** Dec. 8, 2009**

(54) **SEPARABLE SPEAKING SPOON**

(76) **Inventor:** **Paul Vasilkov**, 18 Pete Popovich Ct.,
Sacramento, CA (US) 95835

(**) **Term:** **14 Years**

(21) **Appl. No.:** **29/310,230**

(22) **Filed:** **Aug. 4, 2008**

(51) **LOC (9) Cl.** **14-01**

(52) **U.S. Cl.** **D14/225**

(58) **Field of Classification Search** D14/225,
D14/226, 207, 217, 218, 245, 299; D17/99,
D17/22; D21/405, 513; D7/653, 654; D19/36;
D10/46, 46.2; D24/116; 30/123.3, 324;
D13/168; 84/375, 402; 446/416; 434/320;
604/121

See application file for complete search history.

(56) **References Cited**

U.S. PATENT DOCUMENTS

- 2,722,153 A * 11/1955 Greco 84/375
- 2,795,043 A * 6/1957 Fleischer 30/123.3
- 3,510,643 A * 5/1970 File 362/26
- D307,146 S * 4/1990 Samson D14/299
- D317,472 S * 6/1991 Sasaki et al. D21/405
- 5,075,970 A * 12/1991 Albert 30/123

- 5,377,879 A * 1/1995 Isaacs 222/205
- D355,895 S * 2/1995 Soren et al. D14/240
- D370,484 S * 6/1996 Williamson et al. D14/160
- D377,947 S * 2/1997 Ladner D19/36
- D386,182 S * 11/1997 Leifer D14/207
- 5,966,814 A * 10/1999 Lin 30/123
- D430,232 S * 8/2000 She D21/513
- D539,272 S * 3/2007 Kaner et al. D14/225
- D558,742 S * 1/2008 Koller et al. D14/225
- D568,877 S * 5/2008 Bodley et al. D14/225

* cited by examiner

Primary Examiner—Paula Greene

(74) *Attorney, Agent, or Firm*—Richard L. Mikesell

(57) **CLAIM**

The ornamental design for a separable speaking spoon, as shown and described.

DESCRIPTION

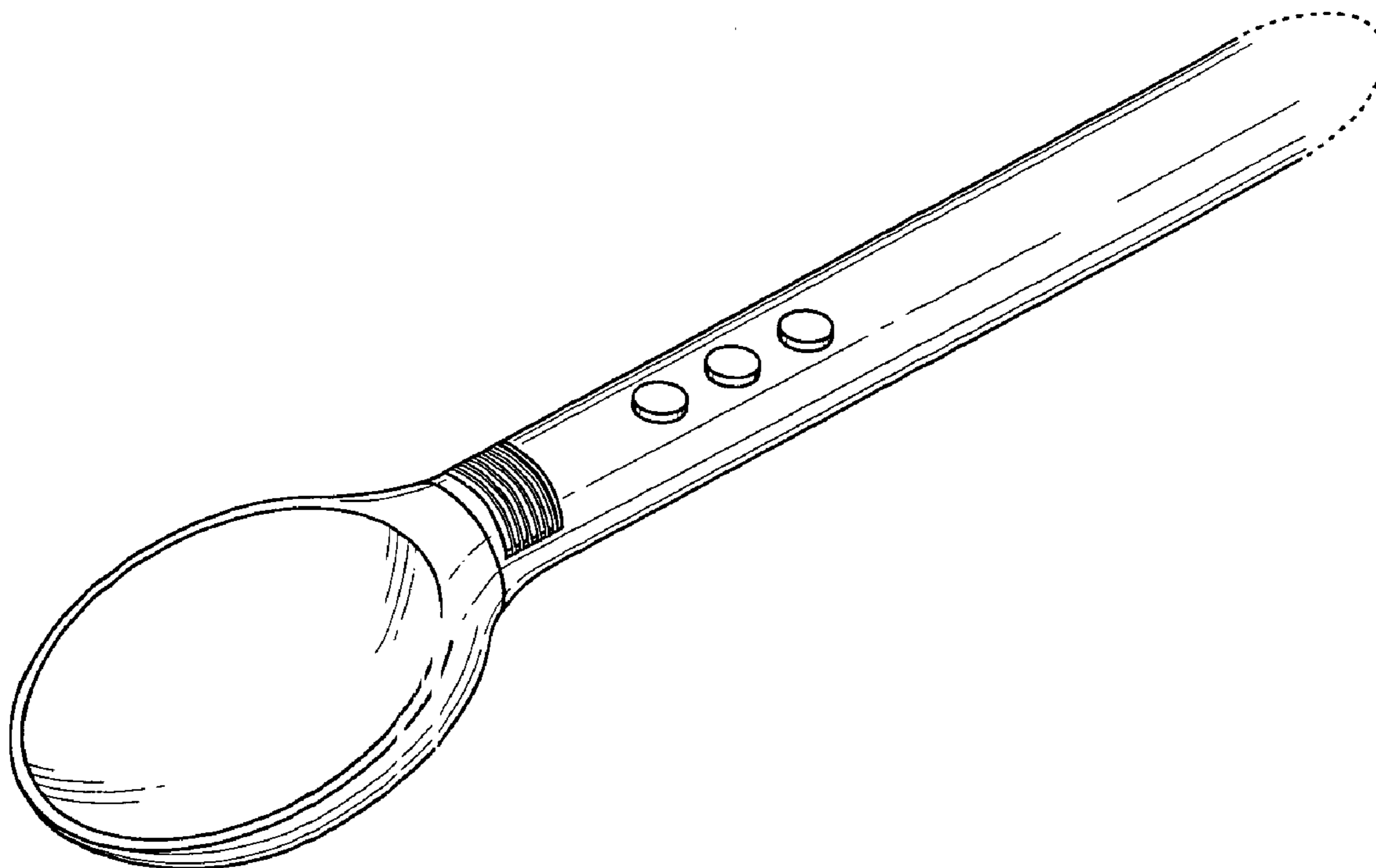
FIG. 1 is a top right perspective view of a separable speaking spoon showing my new design;

FIG. 2 is a side elevational view thereof, the opposite side is a mirror image; and,

FIG. 3 is an end view thereof.

The broken lines form no part of the claimed design.

1 Claim, 1 Drawing Sheet



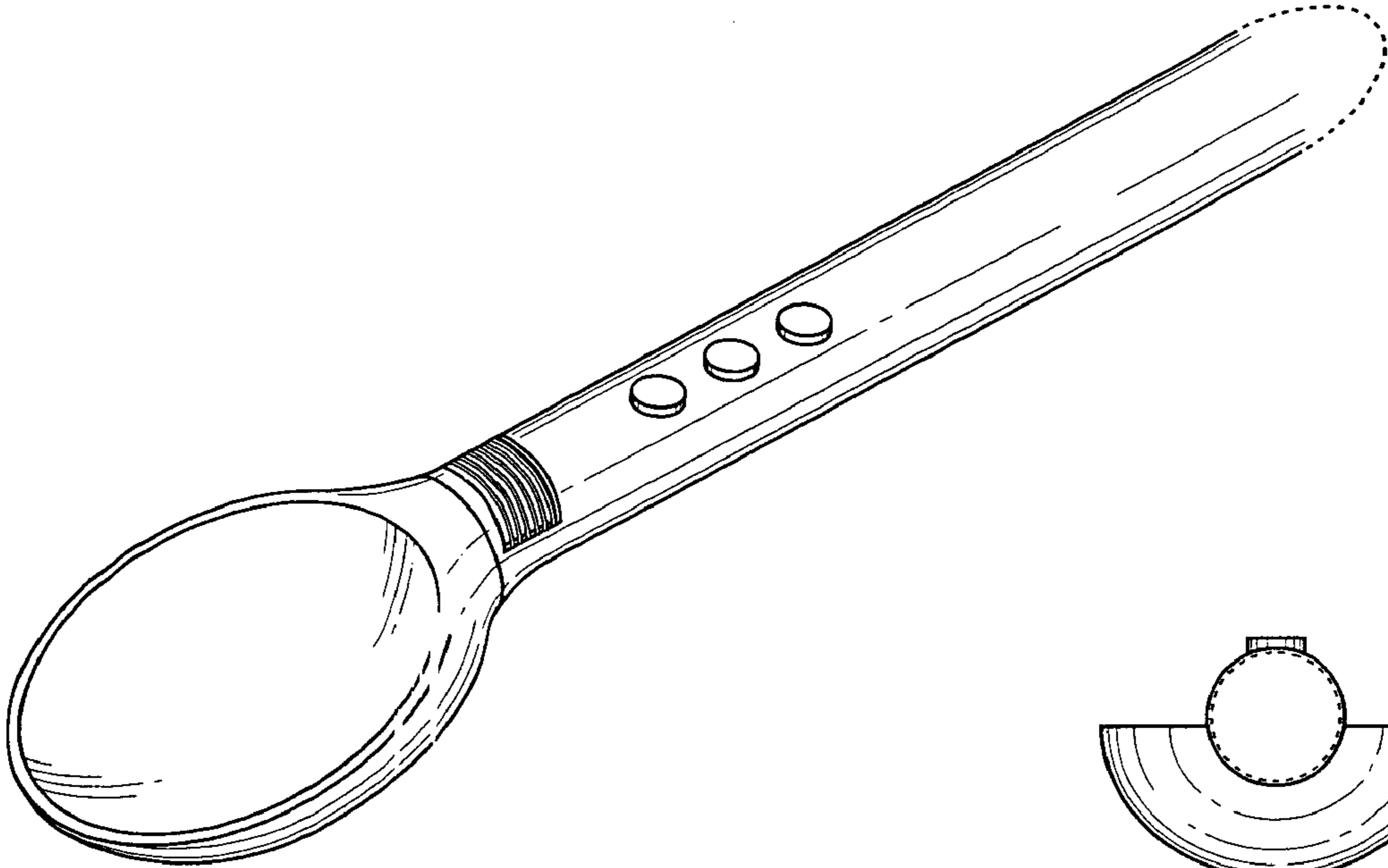


Fig. 1

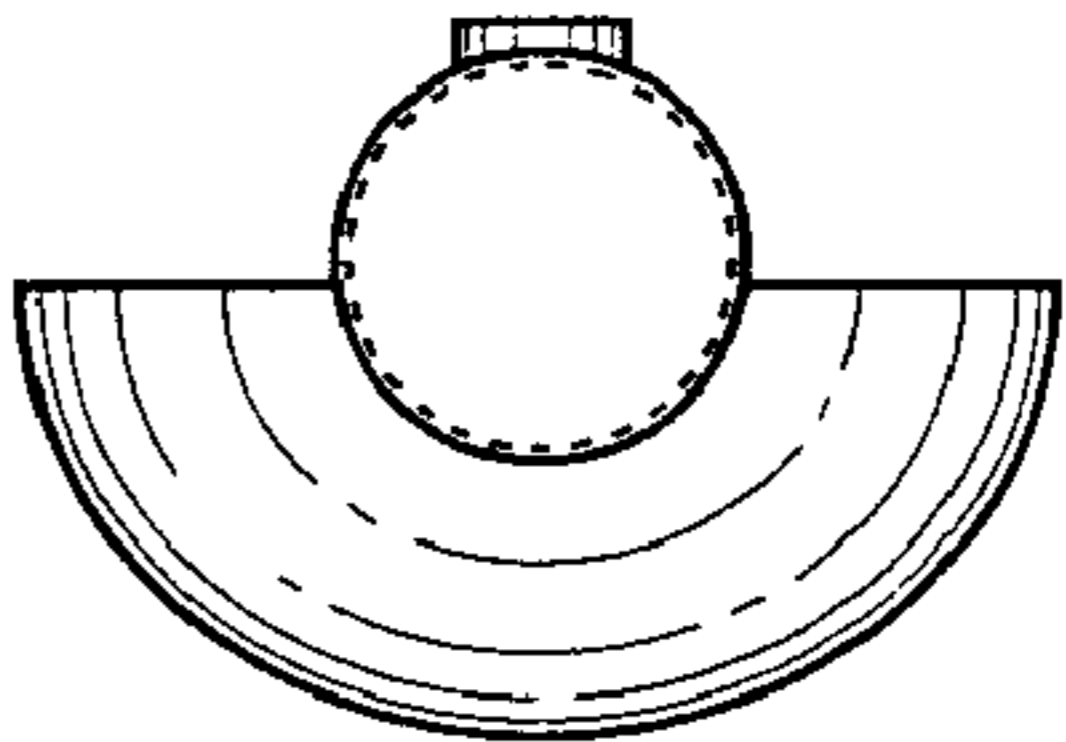


Fig. 3

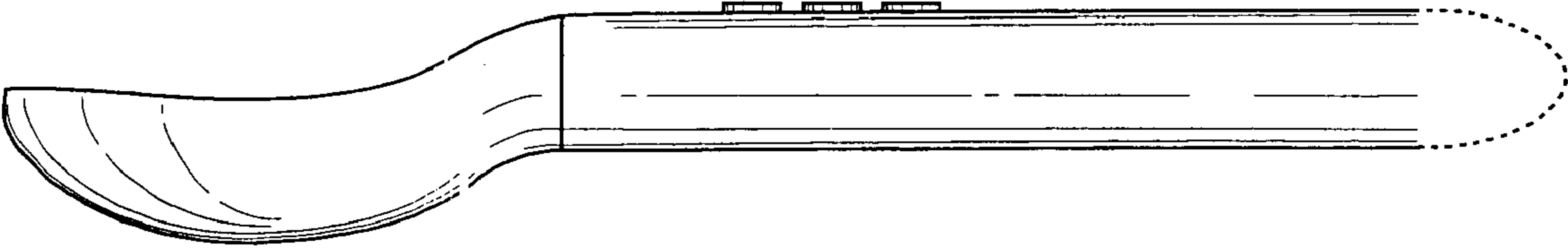


Fig. 2