



US00D605636S

(12) **United States Design Patent**  
**Yang**

(10) **Patent No.:** **US D605,636 S**  
(45) **Date of Patent:** **\*\* Dec. 8, 2009**

(54) **EARPHONE**

(75) Inventor: **Bill Yang**, Taipei (TW)

(73) Assignee: **Cotron Corporation**, Taipei (TW)

(\*\*) Term: **14 Years**

(21) Appl. No.: **29/332,875**

(22) Filed: **Feb. 27, 2009**

(51) **LOC (9) Cl.** ..... **14-01**

(52) **U.S. Cl.** ..... **D14/223**

(58) **Field of Classification Search** ..... D14/205,  
D14/206, 223, 188, 192; 181/129, 130, 135;  
381/380, 381, 387, 385, 322, 371, 328, 417;  
379/430, 420.04; 455/90.2, 575.2; 128/865;  
D24/106, 174

See application file for complete search history.

(56) **References Cited**

**U.S. PATENT DOCUMENTS**

1,406,510	A	*	2/1922	Weber	.....	381/380
4,965,838	A	*	10/1990	Kamon et al.	.....	381/380
D431,553	S	*	10/2000	Suzuki	.....	D14/223
D515,070	S	*	2/2006	Andre et al.	.....	D14/205
D519,108	S	*	4/2006	Yang	.....	D14/223
D542,782	S	*	5/2007	Pena Angarita	.....	D14/223
D550,655	S	*	9/2007	Falco	.....	D14/223
D554,627	S	*	11/2007	Gondo et al.	.....	D14/223
D555,152	S	*	11/2007	Wang	.....	D14/223
D564,495	S	*	3/2008	Sasaki	.....	D14/205
D566,687	S	*	4/2008	Duarte et al.	.....	D14/205

D572,703	S	*	7/2008	Ledbetter et al.	.....	D14/205
D578,517	S	*	10/2008	Pausch	.....	D14/223
D579,005	S	*	10/2008	Wilhelmsen	.....	D14/223
D579,444	S	*	10/2008	Ewert et al.	.....	D14/223
D586,332	S	*	2/2009	Ewert et al.	.....	D14/223
D587,681	S	*	3/2009	Yanai	.....	D14/205
D591,721	S	*	5/2009	Densho	.....	D14/205
D591,722	S	*	5/2009	Densho	.....	D14/205
D593,997	S	*	6/2009	Mauritzsson	.....	D14/223

\* cited by examiner

*Primary Examiner*—Paula Greene

(74) *Attorney, Agent, or Firm*—Jianq Chyun IP Office

(57) **CLAIM**

The ornamental design for an earphone, as shown and described.

**DESCRIPTION**

FIG. 1 is a perspective view of an earphone showing my new design;

FIG. 2 is a front view thereof;

FIG. 3 is a rear view thereof;

FIG. 4 is a left side view thereof;

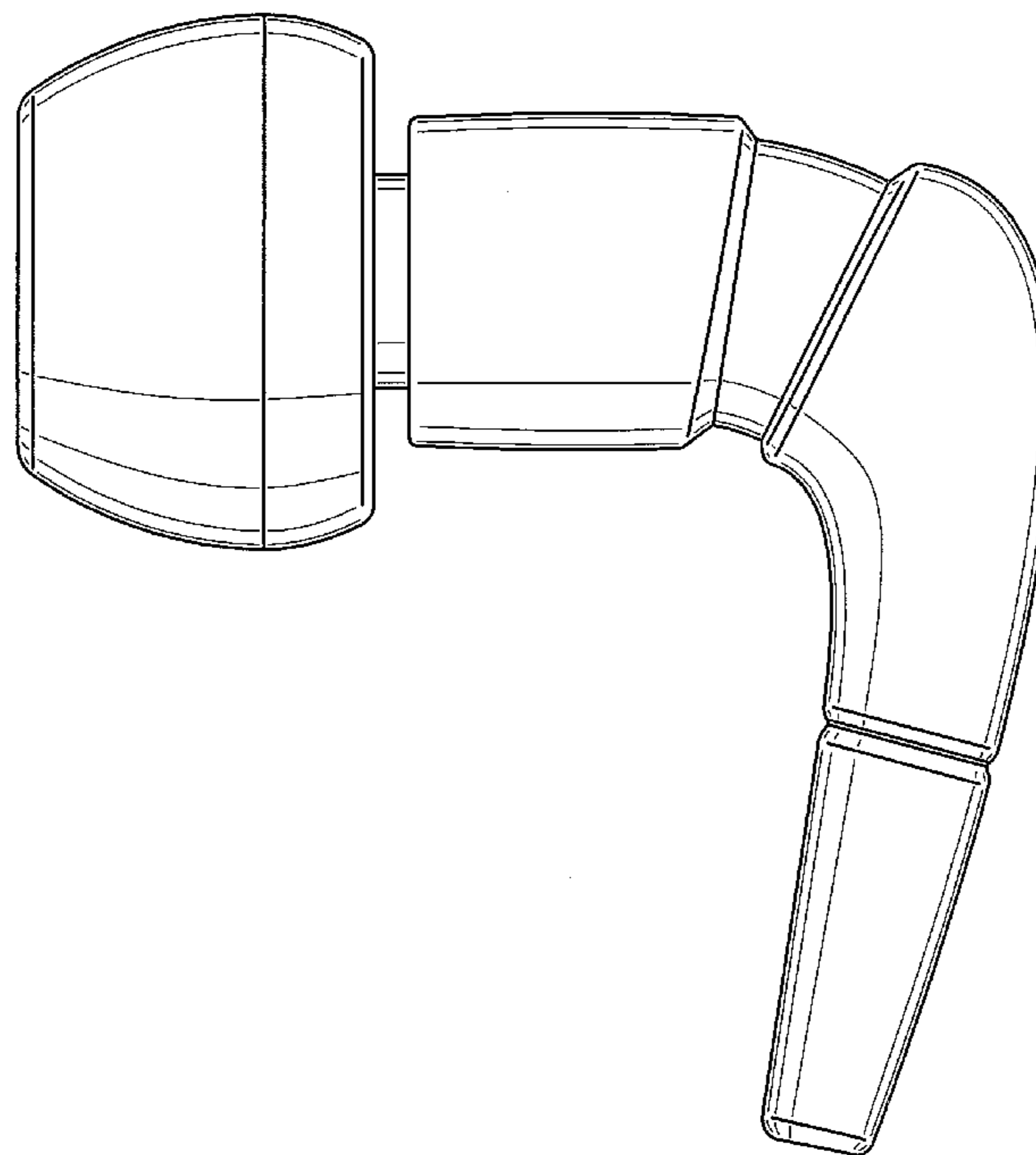
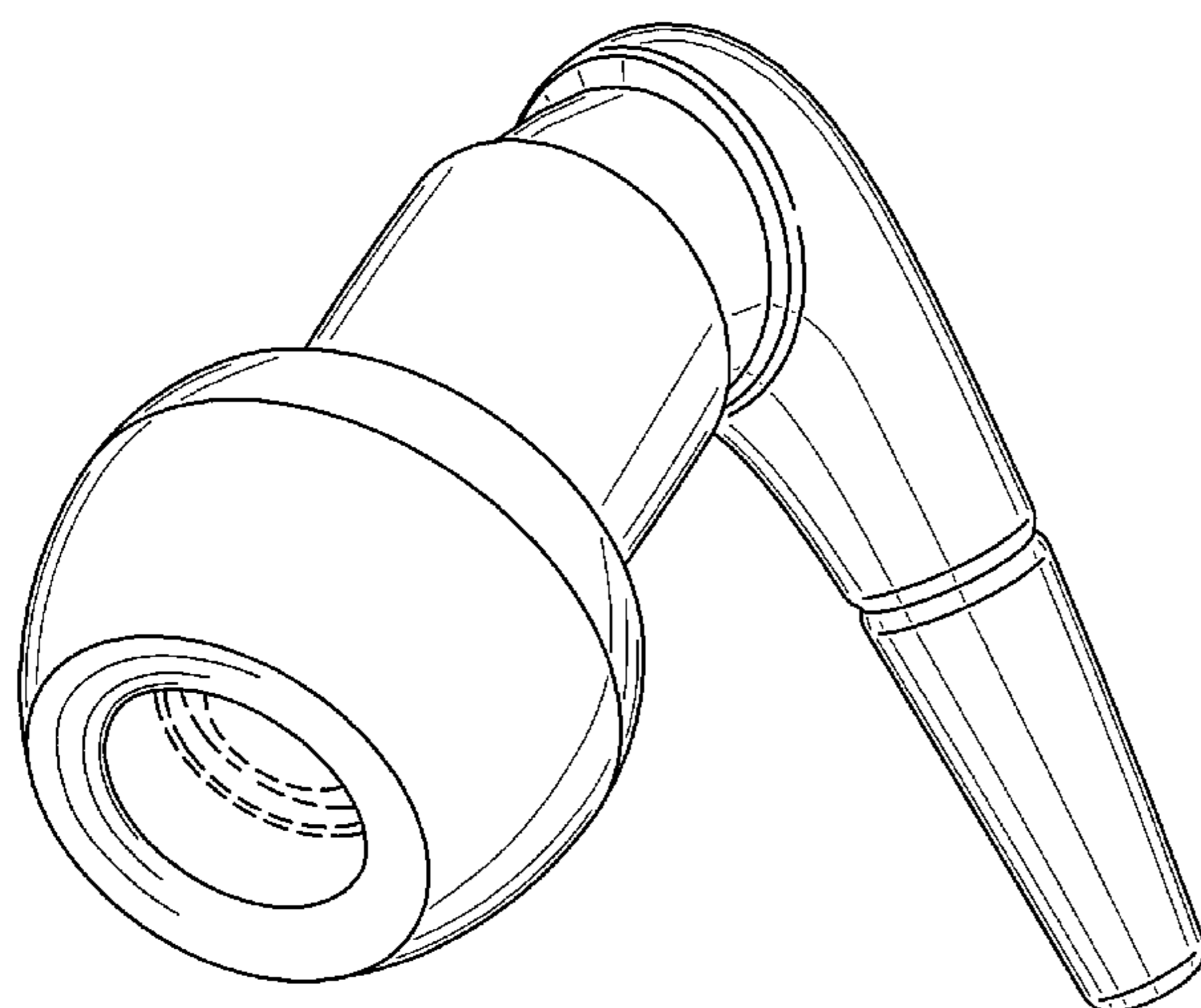
FIG. 5 is a right side view thereof;

FIG. 6 is a top view thereof; and,

FIG. 7 is a bottom view thereof.

The broken lines shown in the figures are for illustrative purposes only and do not form part of the claimed design.

**1 Claim, 6 Drawing Sheets**



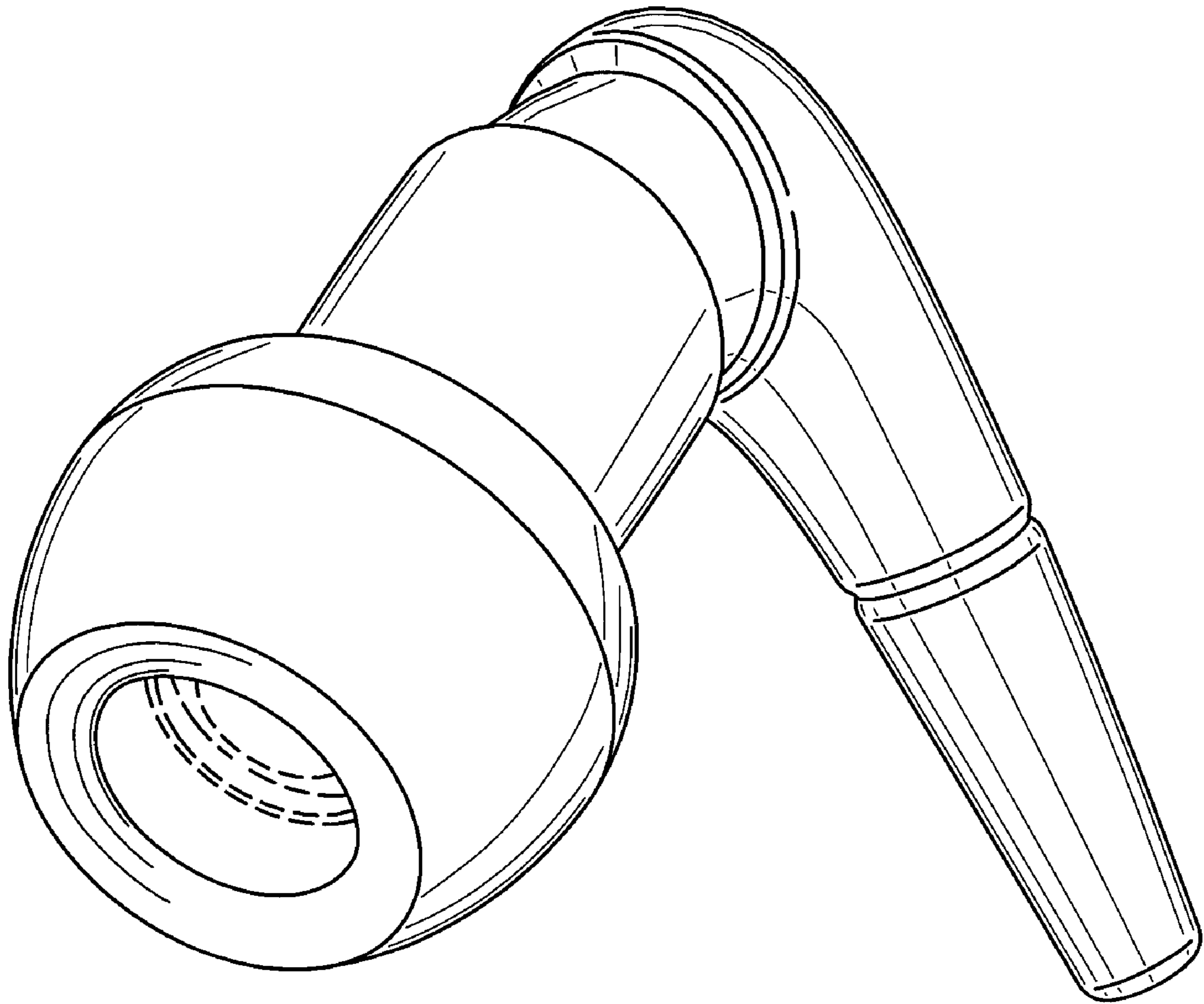


FIG. 1

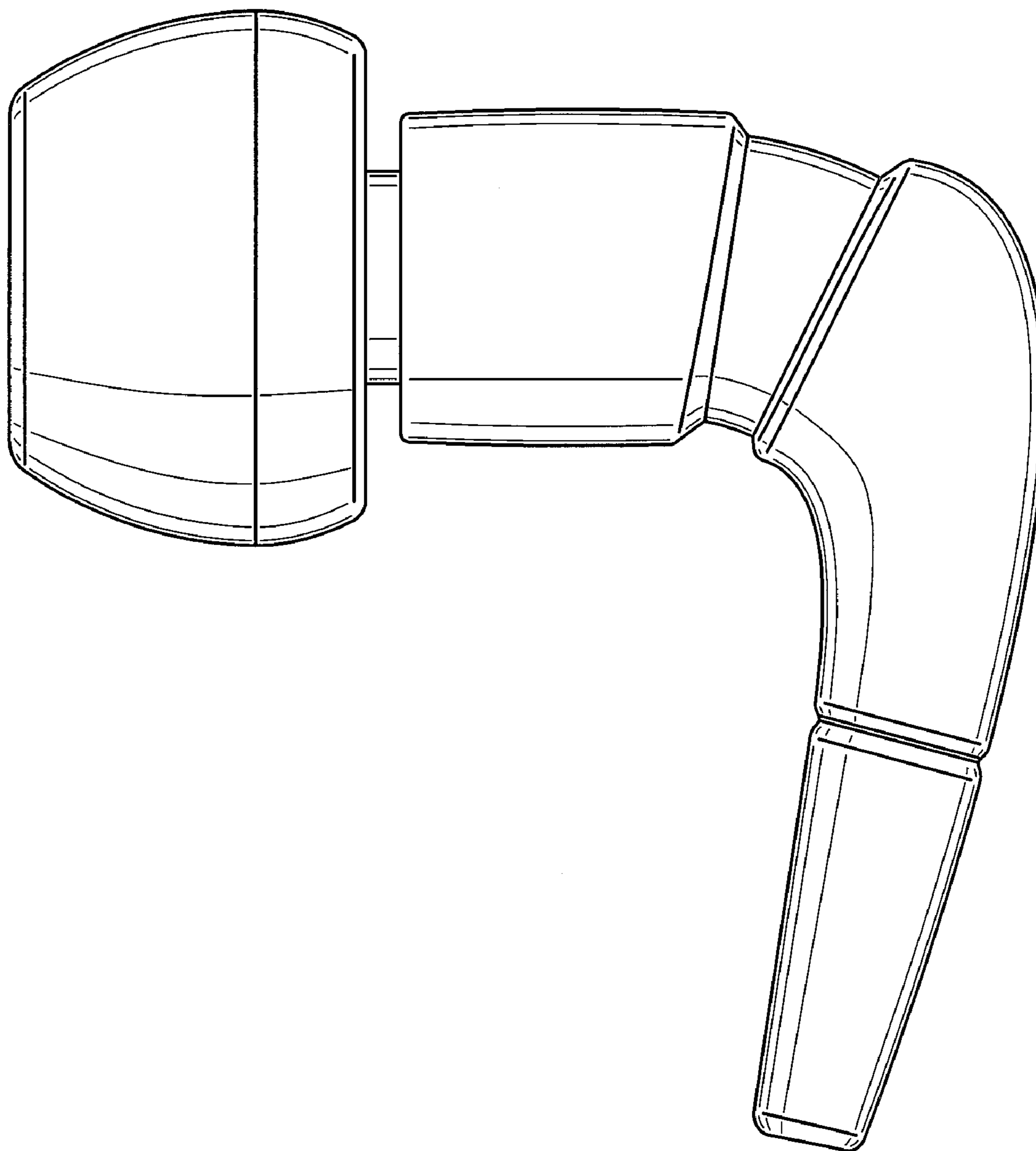


FIG. 2

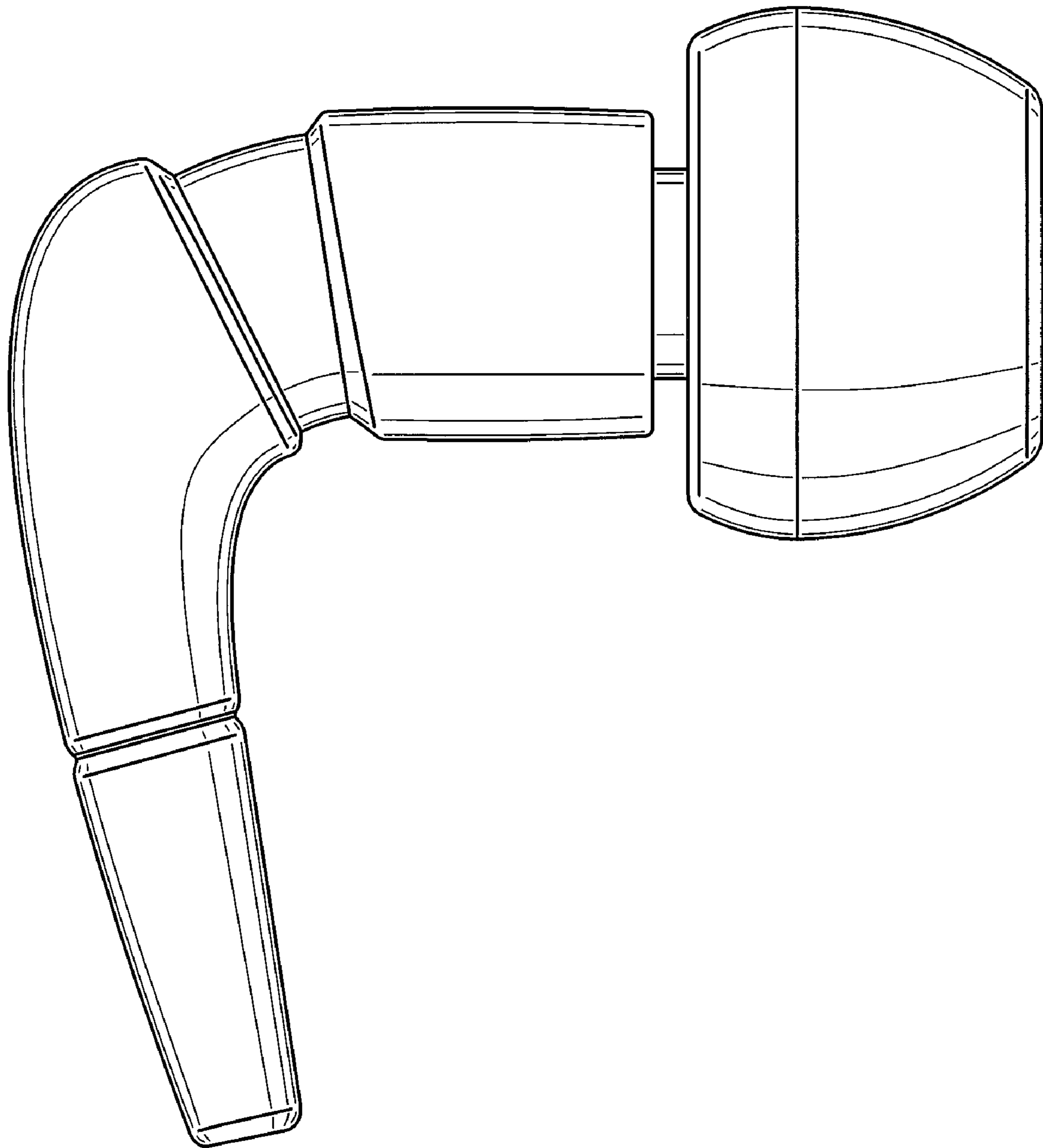


FIG. 3

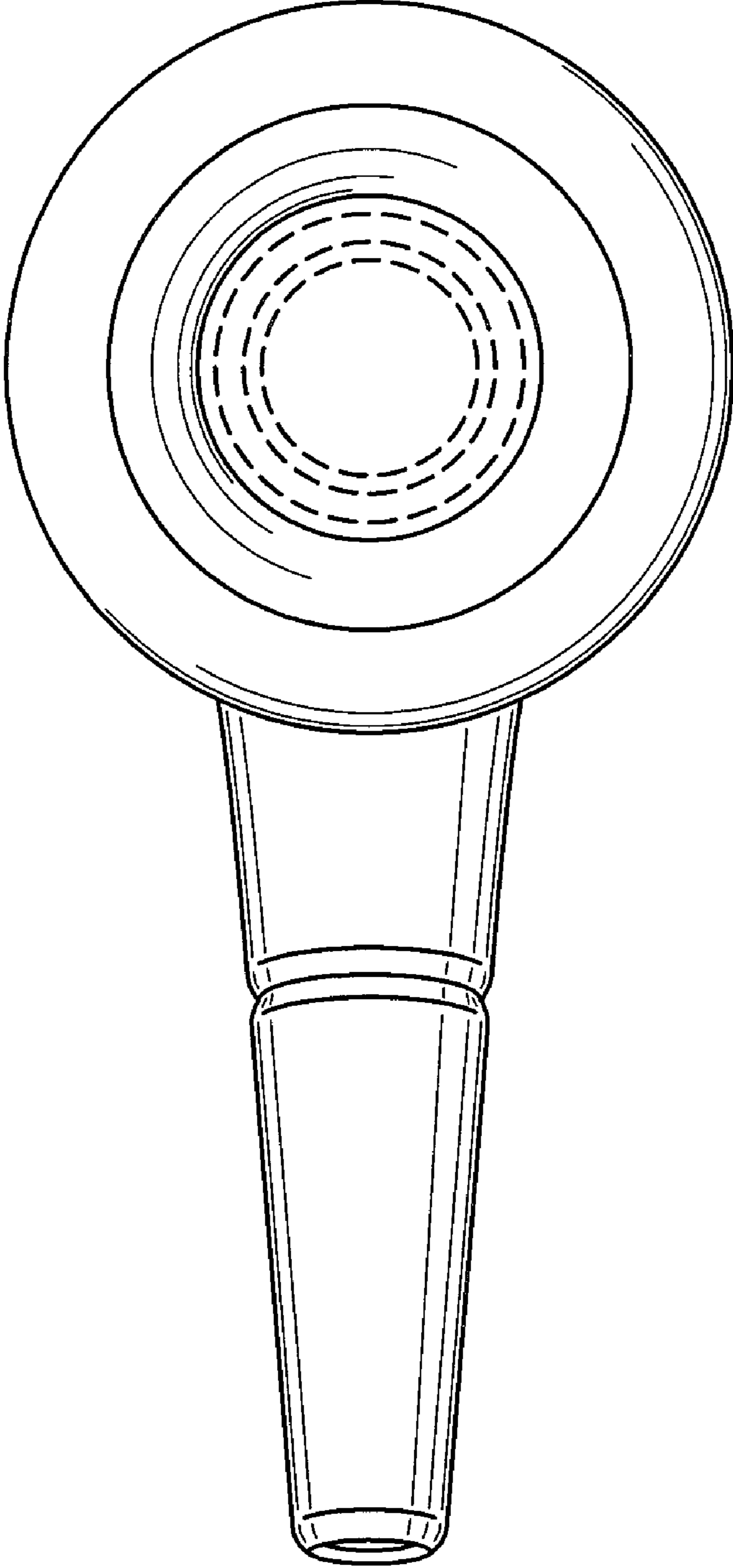


FIG. 4

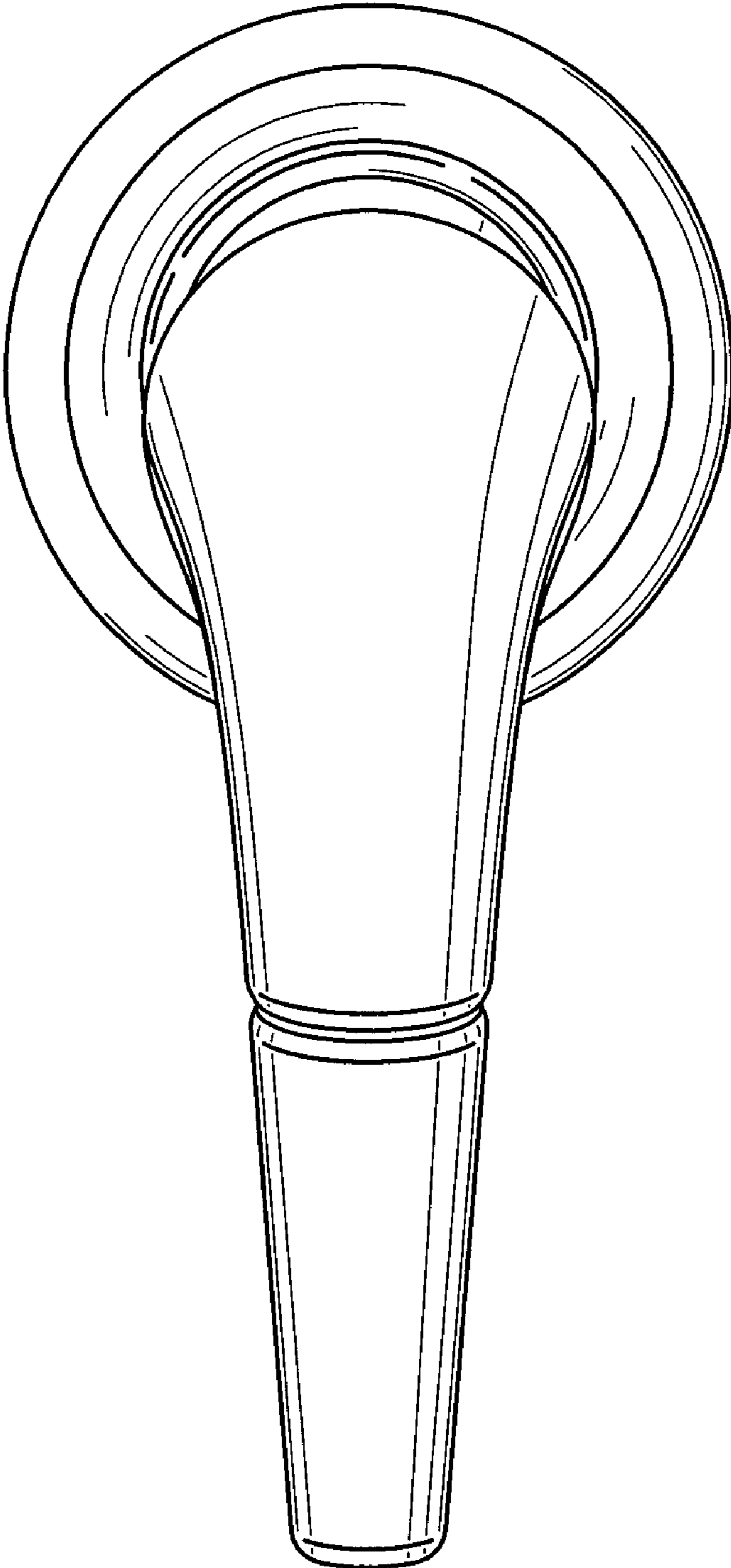


FIG. 5



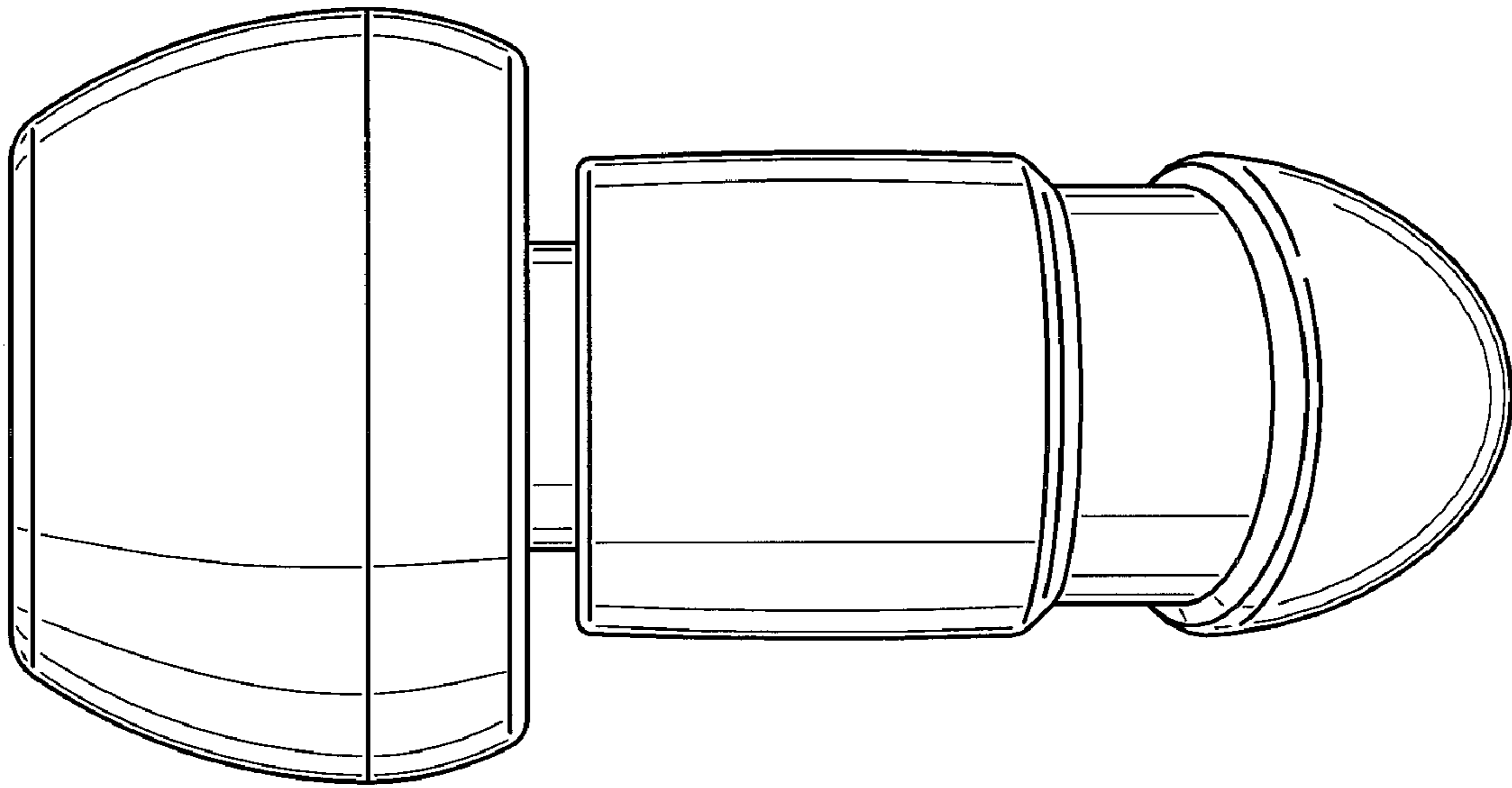


FIG. 6

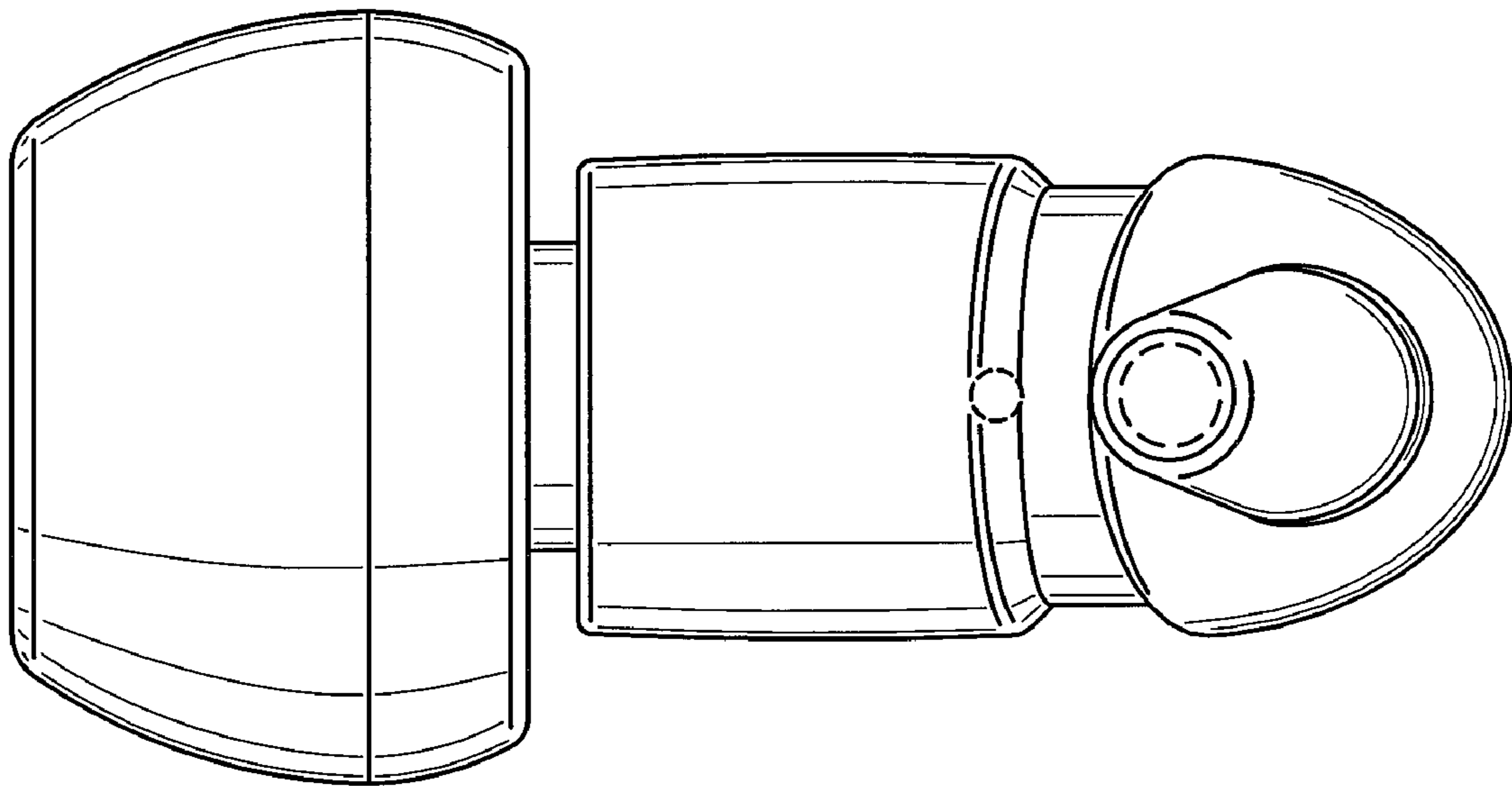


FIG. 7