



US00D605631S

(12) **United States Design Patent**
Lee et al.

(10) **Patent No.:** **US D605,631 S**
(45) **Date of Patent:** **** Dec. 8, 2009**

(54) **WIRELESS SPEAKER SYSTEM**

(75) Inventors: **Tony Lee**, Guangdong (CN); **Roman S. Ferber**, West Bloomfield, MI (US)

(73) Assignee: **FKA Distributing Co.**, Commerce Township, MI (US)

(**) Term: **14 Years**

(21) Appl. No.: **29/330,268**

(22) Filed: **Jan. 2, 2009**

(51) **LOC (9) Cl.** **14-01**

(52) **U.S. Cl.** **D14/215; D14/209.1**

(58) **Field of Classification Search** D14/204,
D14/209.1, 210–216, 172, 496, 203.8, 224.1;
181/143–144, 147–148, 150–153, 157, 198–199;
381/300–303, 306, 332–333, 336, 345, 361–364,
381/386–388

See application file for complete search history.

(56) **References Cited**

U.S. PATENT DOCUMENTS

D471,179 S * 3/2003 Suzuki et al. D14/215
D471,534 S * 3/2003 Suzuki et al. D14/215
D538,787 S * 3/2007 Tsai D14/209.1
D541,790 S * 5/2007 Yoon D14/214

D582,887 S * 12/2008 Poandl D14/172

* cited by examiner

Primary Examiner—Nanda Bondade

(74) *Attorney, Agent, or Firm*—Brooks Kushman P.C.

(57) **CLAIM**

The ornamental design for a wireless speaker system, as shown and described.

DESCRIPTION

FIG. 1 is a perspective view of a wireless speaker system incorporating our new design, showing a base thereof and a wireless speaker thereof;

FIG. 2 is a front elevational view thereof;

FIG. 3 is a rear elevational view thereof;

FIG. 4 is a top plan view thereof;

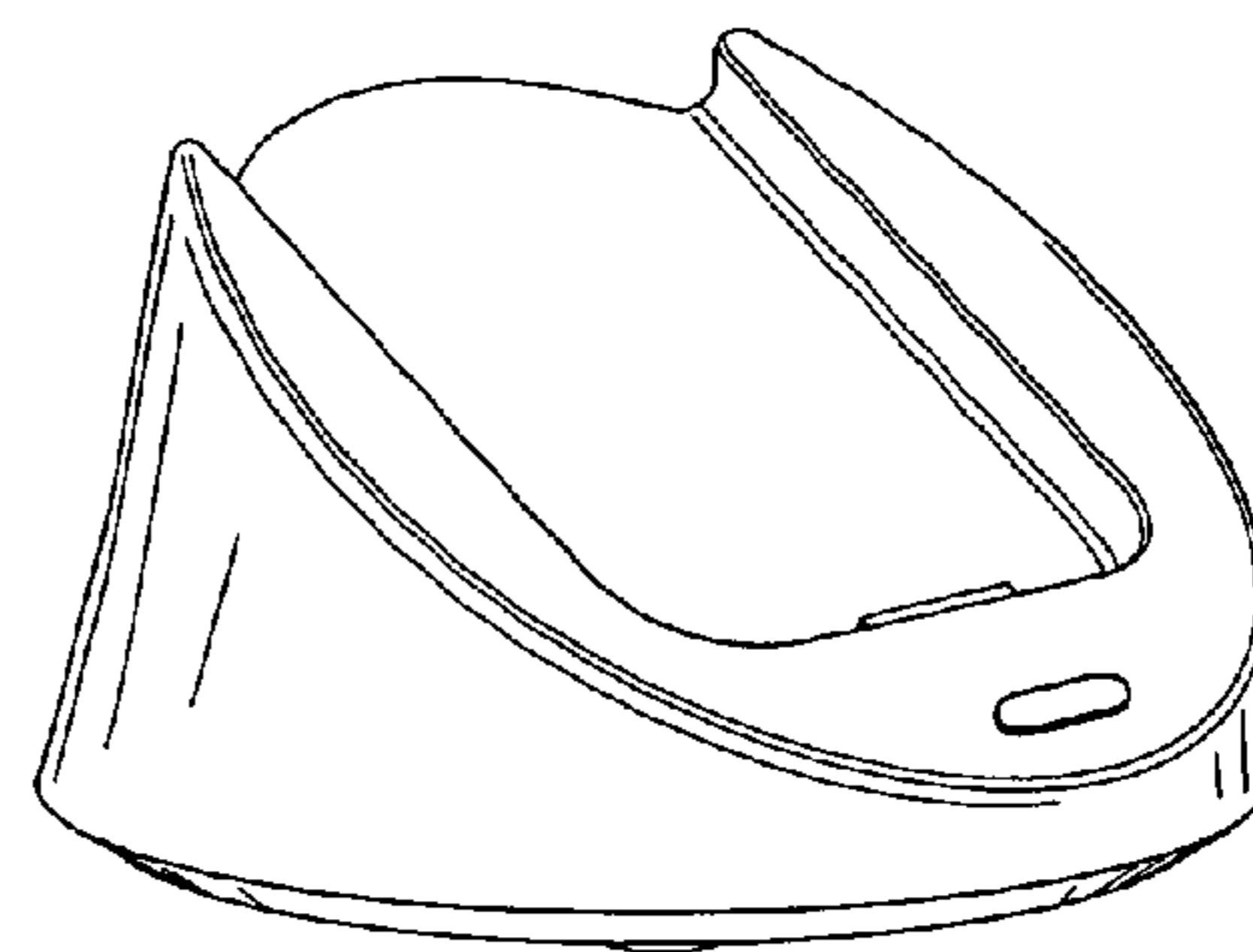
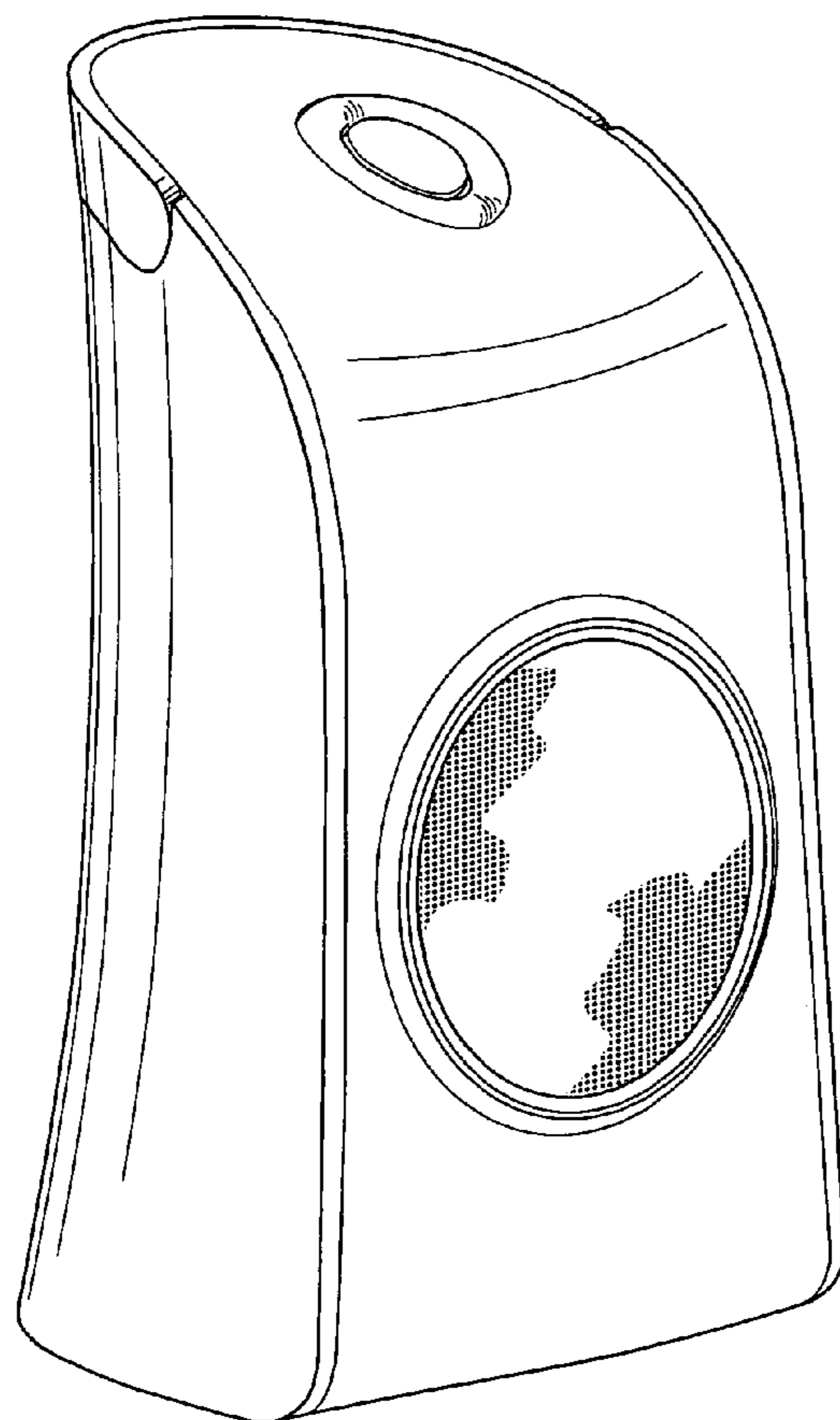
FIG. 5 is a bottom plan view thereof;

FIG. 6 is a right side elevational view thereof;

FIG. 7 is a left side elevational view thereof; and,

FIG. 8 is a perspective view of the wireless speaker of the wireless speaker system illustrated in FIG. 1, showing a handle thereof in a second position. The wireless speaker is shown separately for clarity of illustration.

1 Claim, 7 Drawing Sheets



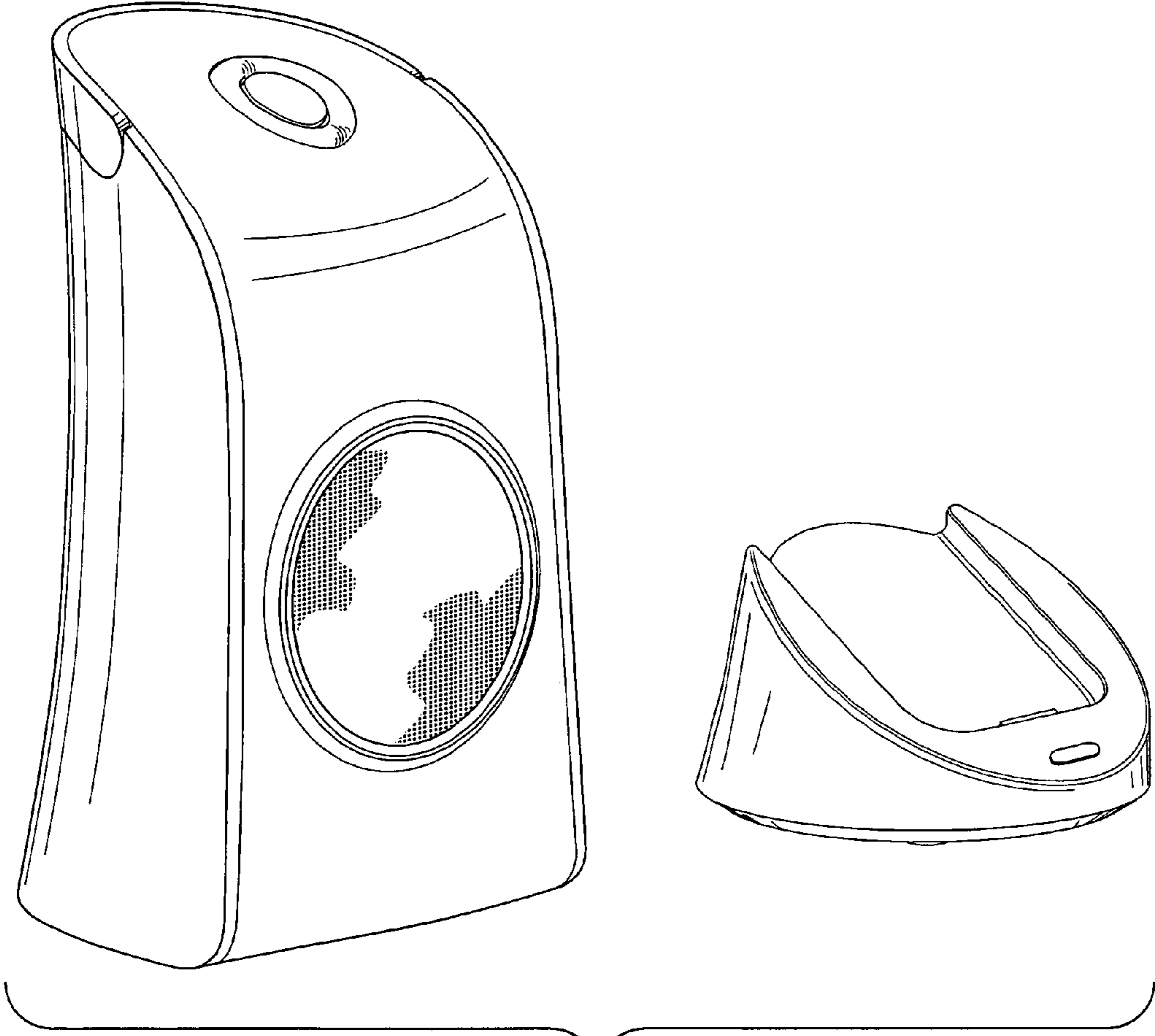


FIG. 1

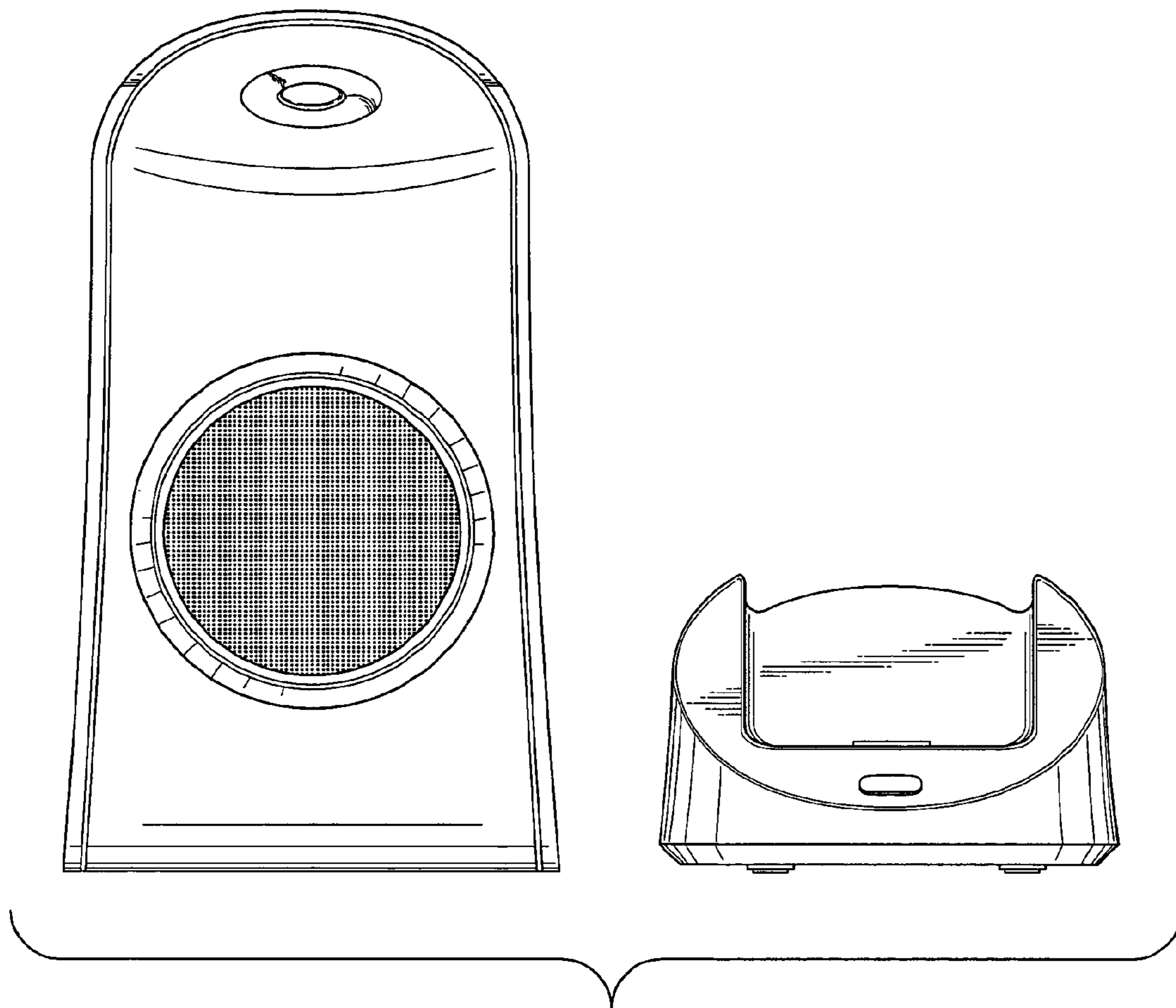


FIG. 2

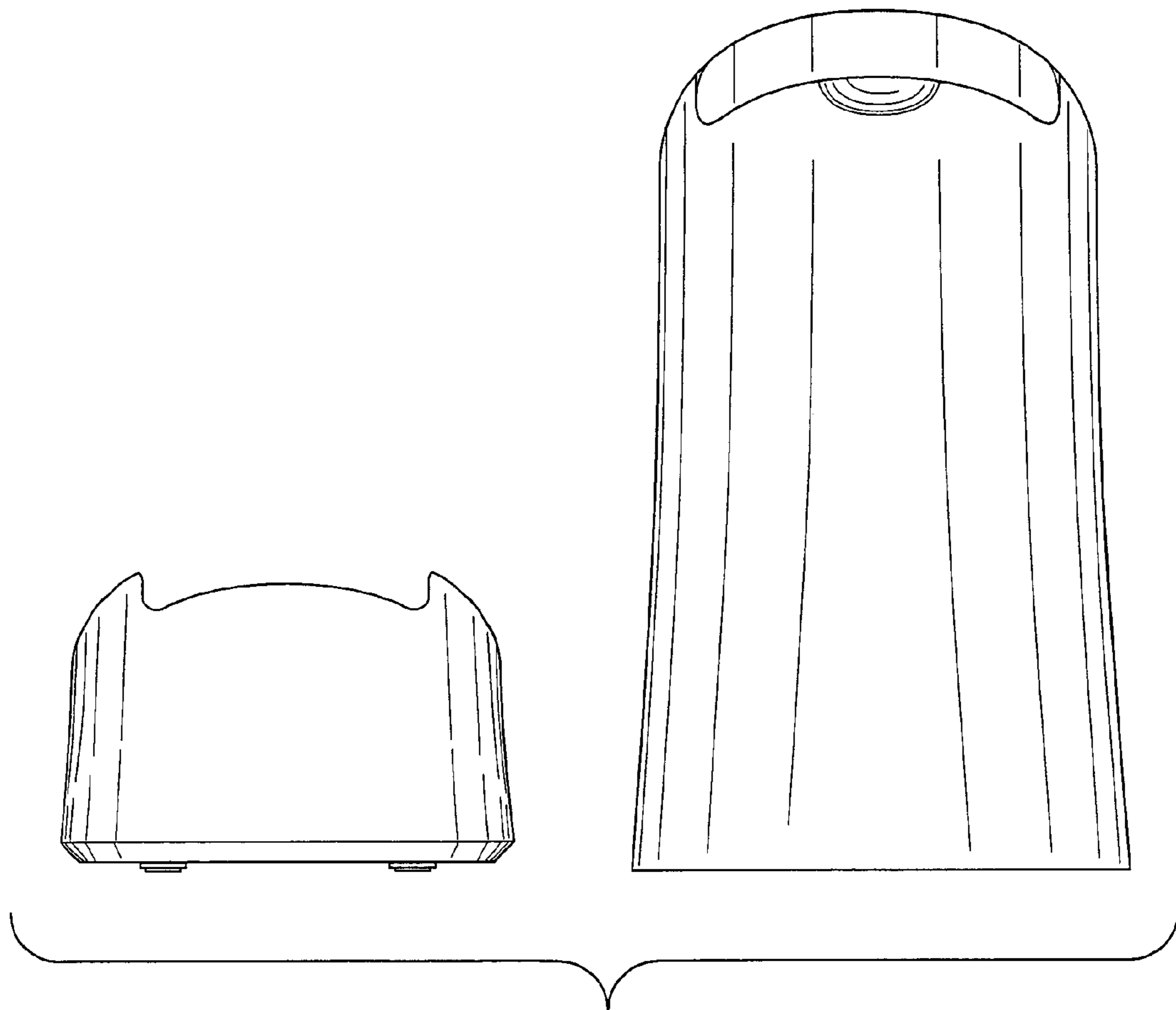


FIG. 3

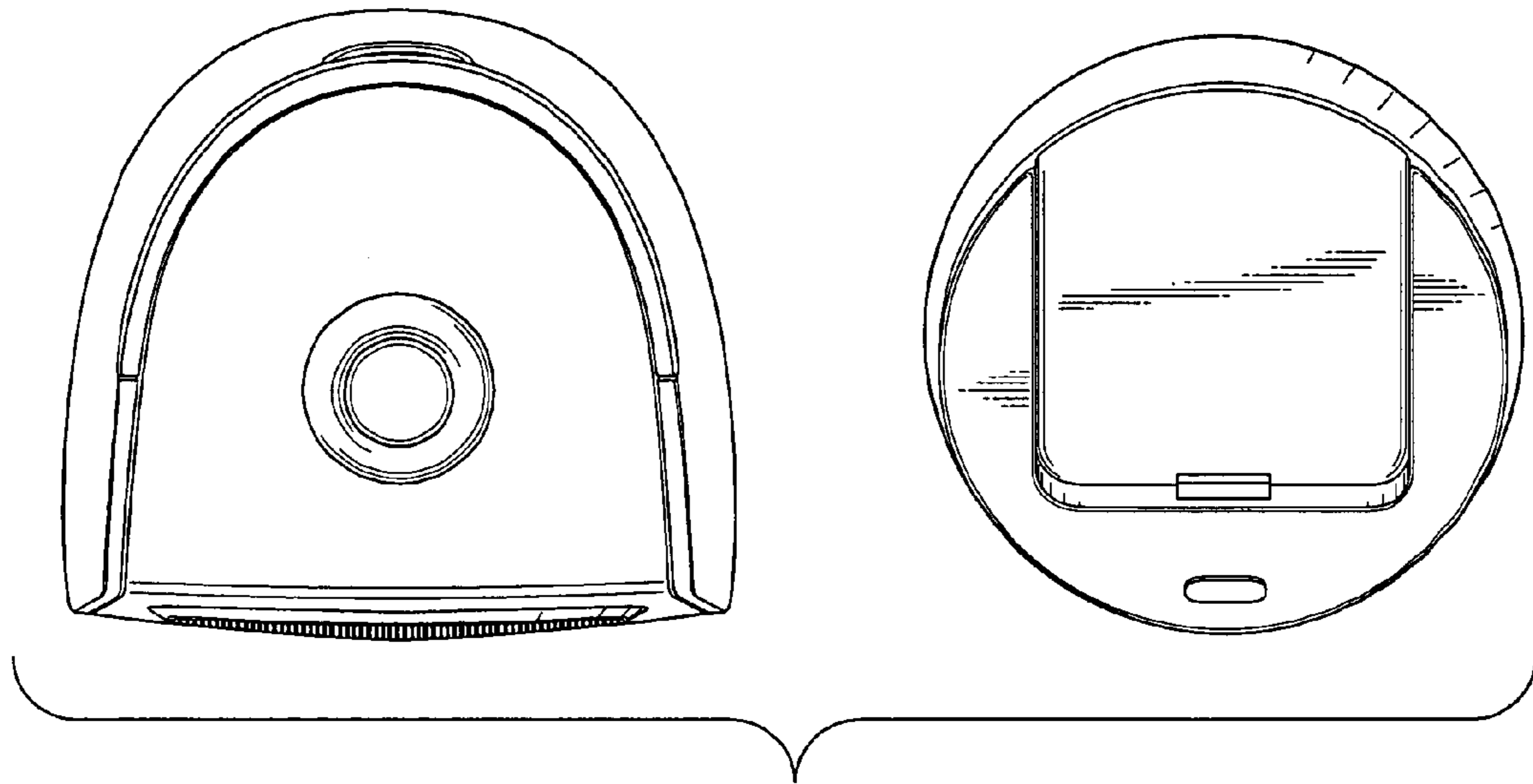


FIG. 4

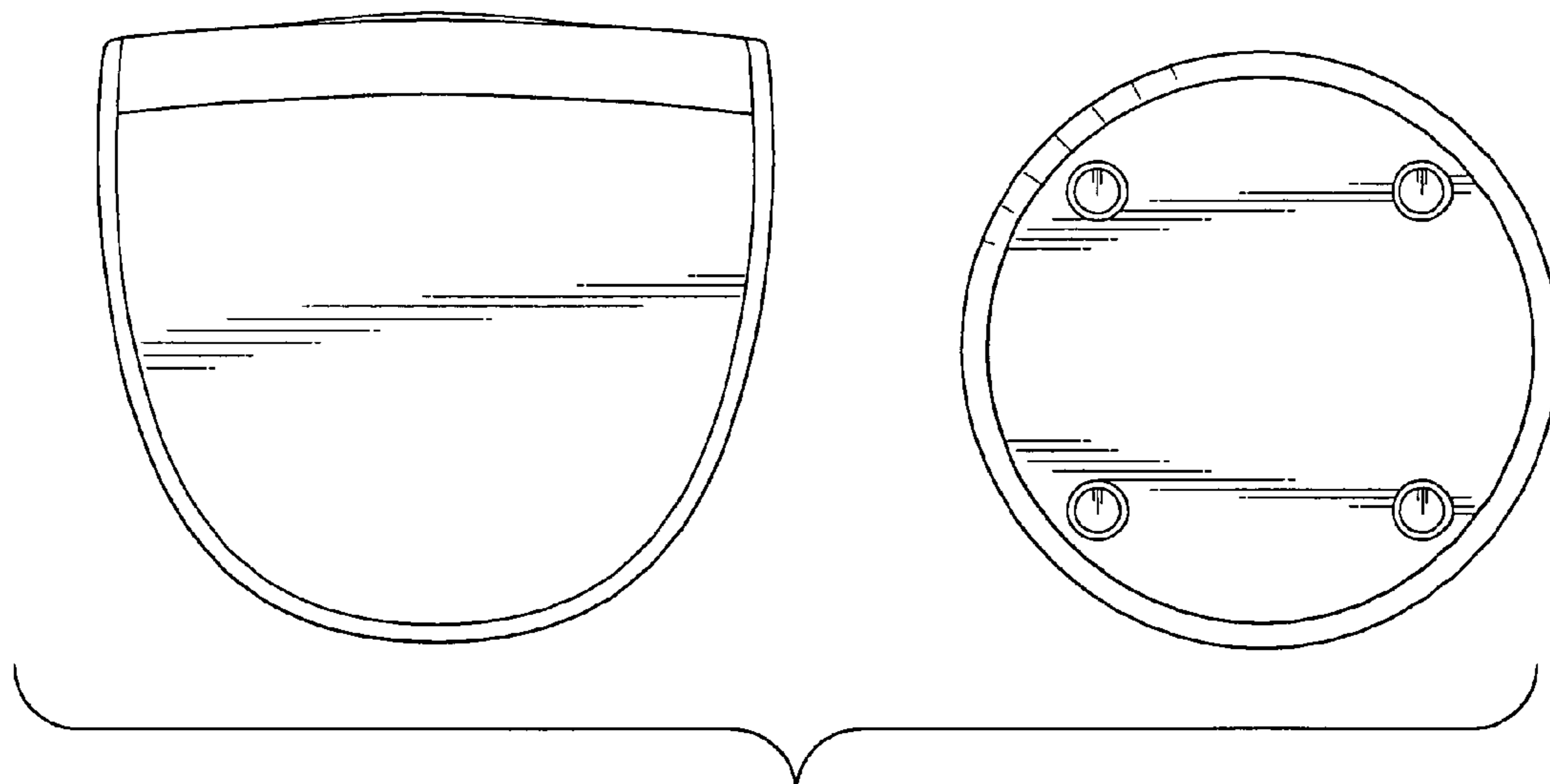


FIG. 5

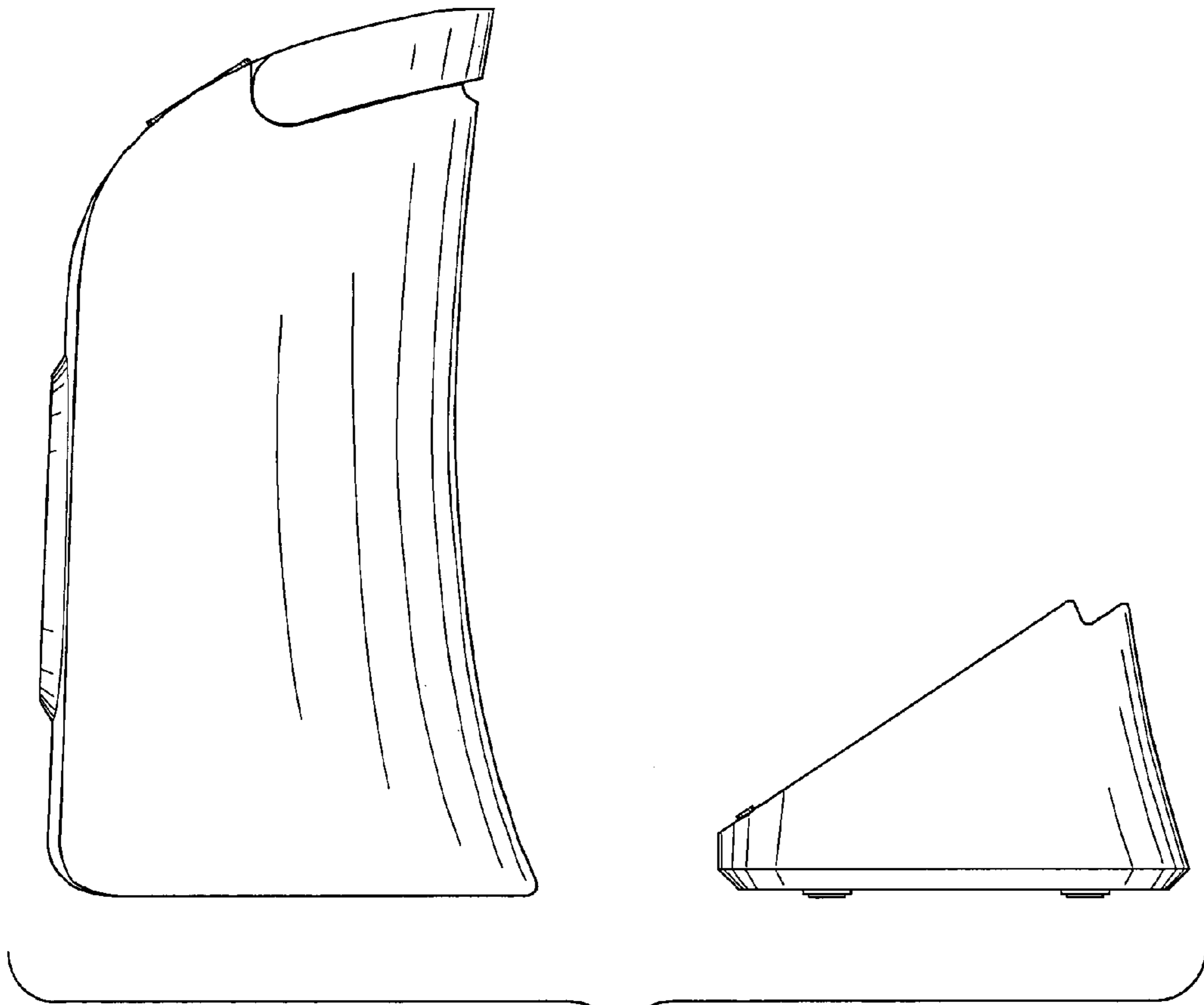


FIG. 6

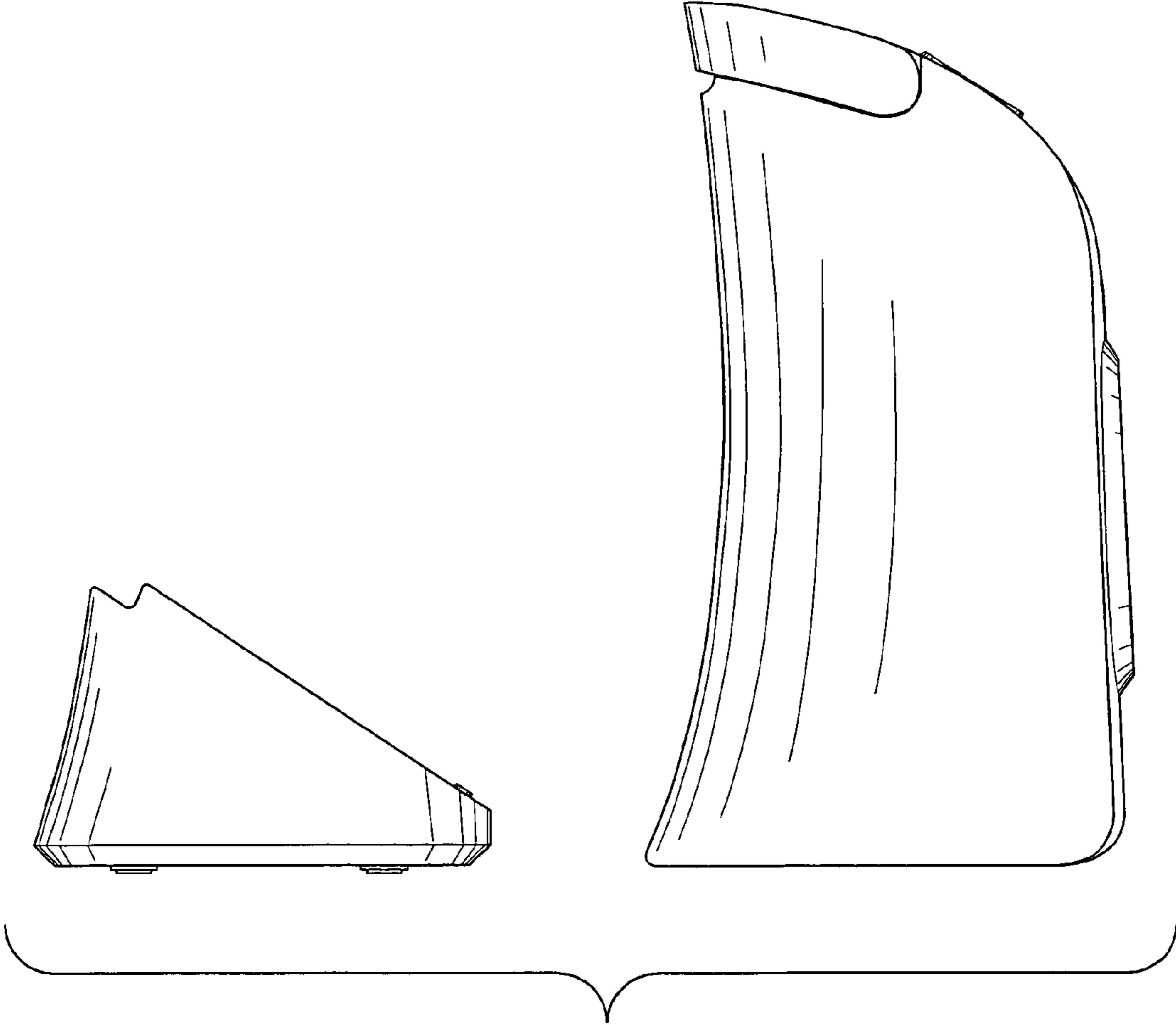


FIG. 7

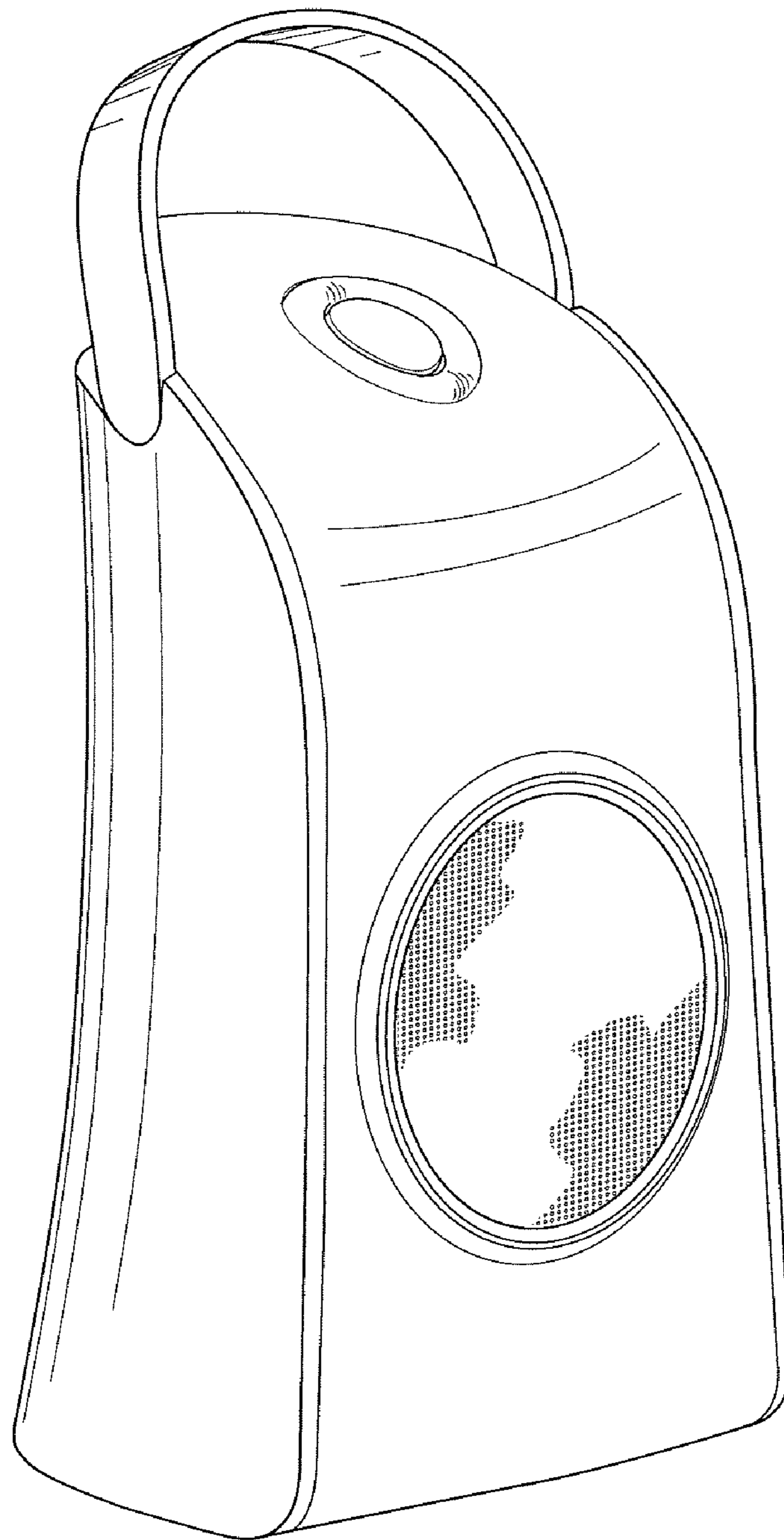


FIG. 8