



US00D605629S

(12) **United States Design Patent**  
**Suwalski et al.**

(10) **Patent No.:** **US D605,629 S**

(45) **Date of Patent:** **\*\* \*Dec. 8, 2009**

(54) **HEADSET**

(75) Inventors: **Henry J. Suwalski**, Cranberry Township, PA (US); **Andres D. Viduya**, Cranberry Township, PA (US); **Lonnie Pogue**, San Diego, CA (US)

(73) Assignee: **Vocollect, Inc.**, Pittsburgh, PA (US)

(\*\*) Term: **14 Years**

(21) Appl. No.: **29/325,264**

(22) Filed: **Sep. 29, 2008**

(51) **LOC (9) Cl.** ..... **14-01**

(52) **U.S. Cl.** ..... **D14/206**

(58) **Field of Classification Search** ..... D14/205,  
D14/206, 223, 188, 192, 142, 372, 496; 381/381,  
381/375, 376, 377, 385; 379/430, 420.01,  
379/420.02, 433.01, 433.02, 433.03, 433.04,  
379/433.05, 477; 455/575.1, 575.2; 2/209,  
2/453, 452; D29/112; 345/7, 8; 348/158;  
359/630, 631

See application file for complete search history.

(56) **References Cited**

**U.S. PATENT DOCUMENTS**

1,483,315 A *	2/1924	Saal	381/378
D130,619 S	12/1941	Kendall	
2,394,374 A *	2/1946	Gilman	381/378
D153,112 S	3/1949	Braun et al.	
2,506,524 A	5/1950	Stuck	
2,782,423 A *	2/1957	Eli et al.	2/209
2,958,769 A	11/1960	Bounds	
3,087,028 A	4/1963	Ernest	
D196,654 S	10/1963	Van Den Berg	
3,192,326 A *	6/1965	Chapman	379/447
D206,665 S	1/1967	Sanzone	
3,327,807 A	6/1967	Mullin	
D212,863 S	12/1968	Roberts	
3,654,406 A	4/1972	Reinthal	
3,682,268 A	8/1972	Gorike	
3,969,796 A	7/1976	Hodsdon	

3,971,900 A	7/1976	Foley
3,971,901 A	7/1976	Foley
3,984,885 A	10/1976	Yoshimura
4,018,599 A	4/1977	Hill et al.
4,024,368 A	5/1977	Shattuck
4,031,295 A	6/1977	Rigazio
4,039,765 A	8/1977	Tichy

(Continued)

**FOREIGN PATENT DOCUMENTS**

DE 2628259 12/1977

(Continued)

**OTHER PUBLICATIONS**

Four-page Vocollect Speech Recognition Headsets brochure-Clarity and comfort. Reliable performance. Copyright Sep. 2005.

(Continued)

*Primary Examiner*—Paula Greene

(74) *Attorney, Agent, or Firm*—Wood, Herron & Evans, LLP

(57) **CLAIM**

The ornamental design for a headset, as shown and described.

**DESCRIPTION**

FIG. 1 is a front perspective view of a headset showing our new design;

FIG. 2 is another front perspective view of the design relative to FIG. 1;

FIG. 3 is a right side elevational view relative to FIG. 1;

FIG. 4 is a front elevational view relative to FIG. 1;

FIG. 5 is a left side elevational view relative to FIG. 1;

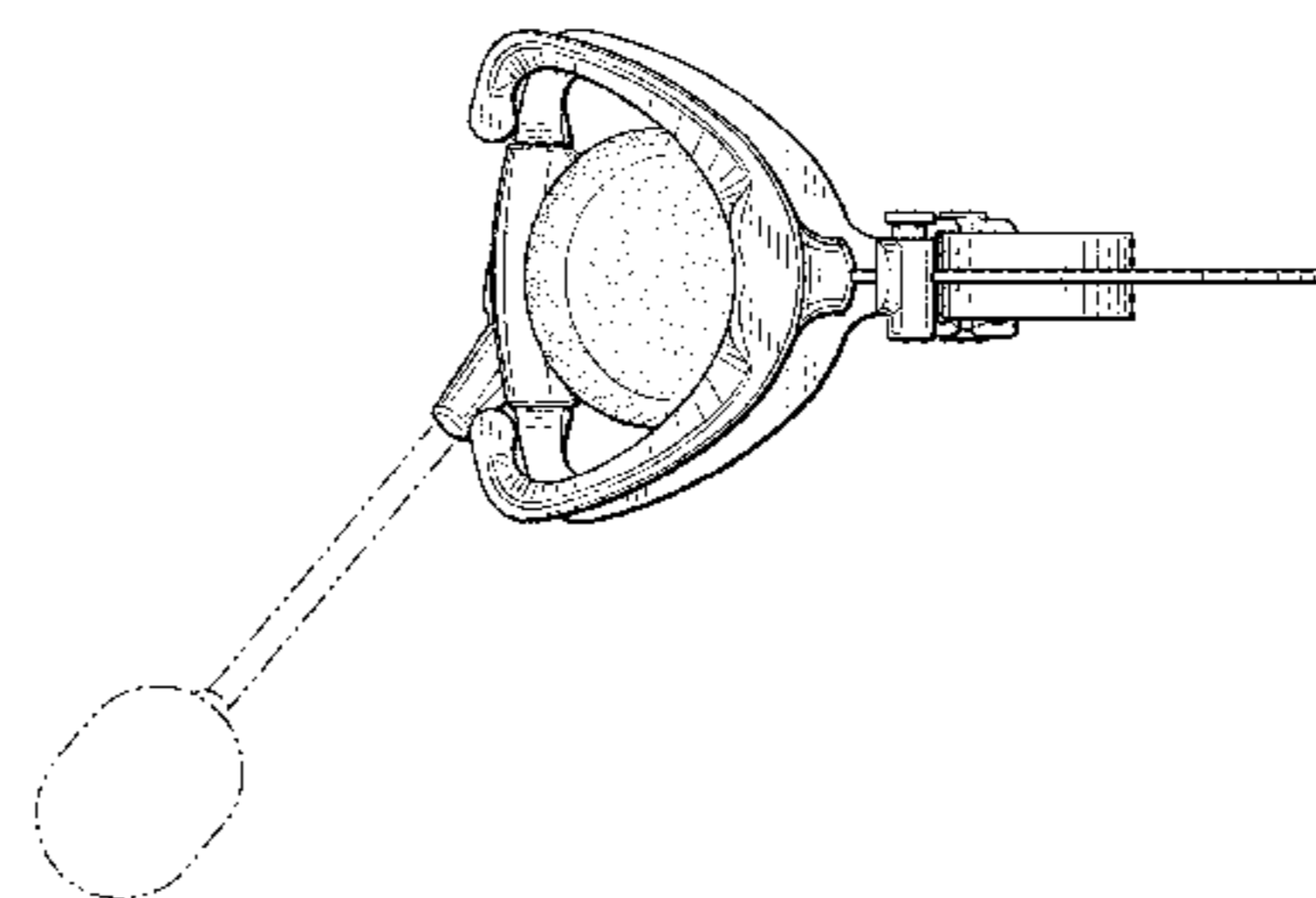
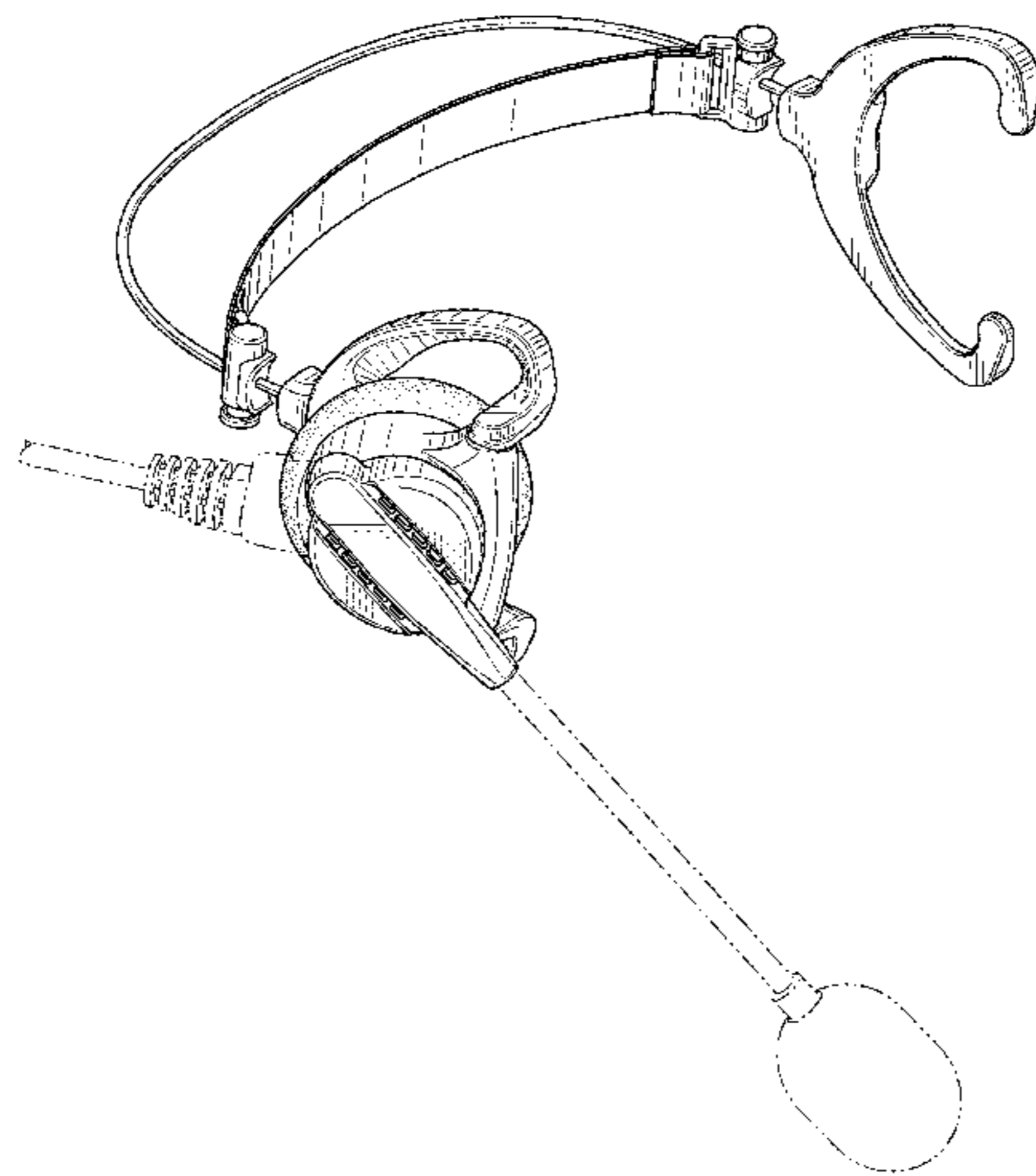
FIG. 6 is a rear elevational view relative to FIG. 1;

FIG. 7 is a top view relative to FIG. 1; and,

FIG. 8 is a bottom view relative to FIG. 1.

The broken lines are for illustrative purposes only, and form no part of the claimed design.

**1 Claim, 6 Drawing Sheets**



# US D605,629 S

Page 2

U.S. PATENT DOCUMENTS					
			5,563,952 A	10/1996	Mercer
4,138,598 A	2/1979	Cech	5,572,401 A	11/1996	Carroll
4,189,788 A	2/1980	Schenke	5,572,623 A	11/1996	Pastor
4,239,936 A	12/1980	Sakoe	5,579,400 A	11/1996	Ballein
RE30,662 E	6/1981	Foley	D376,598 S	12/1996	Hayashi
4,302,635 A	11/1981	Jacobsen	5,581,492 A	12/1996	Janik
D265,989 S	8/1982	Harris	5,604,050 A	2/1997	Brunette et al.
4,357,488 A	11/1982	Knighton et al.	5,607,792 A	3/1997	Garcia et al.
D268,675 S	4/1983	Hass	D380,199 S	6/1997	Beruscha
4,418,248 A	11/1983	Mathis	5,637,417 A	6/1997	Engmark
4,471,496 A	9/1984	Gardner	D384,072 S	9/1997	Ng
4,472,607 A	9/1984	Houng	5,665,485 A	9/1997	Kuwayama et al.
4,499,593 A	2/1985	Antle	5,671,037 A	9/1997	Ogasawara et al.
4,625,083 A	11/1986	Poikela	5,673,325 A	9/1997	Andrea
4,634,816 A	1/1987	O'Malley et al.	5,673,364 A	9/1997	Bialik
4,672,672 A	6/1987	Eggert et al.	5,680,465 A	10/1997	Boyden
4,672,674 A	6/1987	Clough	D385,855 S	11/1997	Ronzani
4,689,822 A	8/1987	Houng	D387,898 S	12/1997	Ronzani
4,741,030 A *	4/1988	Wilson ..... 379/368	D390,552 S	2/1998	Ronzani
D299,129 S	12/1988	Wiegel	D391,234 S	2/1998	Chacon et al.
4,821,318 A	4/1989	Wu	5,716,730 A	2/1998	Deguchi
D301,145 S	5/1989	Besasie et al.	5,719,743 A	2/1998	Jenkins et al.
4,829,571 A *	5/1989	Kakiuchi et al. .... 381/309	5,719,744 A	2/1998	Jenkins et al.
4,845,650 A	7/1989	Meade et al.	D394,436 S	5/1998	Hall et al.
4,875,233 A	10/1989	Derhaag	D394,437 S *	5/1998	Landreth et al. .... D14/206
4,907,266 A	3/1990	Chen	5,749,072 A	5/1998	Mazurkiewicz et al.
4,952,024 A	8/1990	Gale	5,757,339 A	5/1998	Williams et al.
D313,092 S	12/1990	Nilsson	5,762,512 A	6/1998	Trant et al.
5,003,589 A	3/1991	Chen	5,766,794 A	6/1998	Brunette et al.
5,018,599 A	5/1991	Dohi	5,774,096 A	6/1998	Usuki et al.
5,023,824 A	6/1991	Chadima et al.	5,774,837 A	6/1998	Yeldener
D318,053 S *	7/1991	Ludeke et al. .... D14/206	5,778,026 A	7/1998	Zak
D318,670 S	7/1991	Taniguchi	5,781,644 A	7/1998	Chang
5,028,083 A	7/1991	Mischenko	5,787,361 A	7/1998	Chen
5,056,161 A	10/1991	Breen	5,787,387 A	7/1998	Aguilar
D321,879 S	11/1991	Emmerling	5,787,390 A	7/1998	Quinquis
D326,655 S	6/1992	Iribe	5,793,878 A	8/1998	Chang
5,155,659 A	10/1992	Kunert	D398,899 S	9/1998	Chaco
5,177,784 A	1/1993	Hu	D400,848 S	11/1998	Clark et al.
5,179,736 A	1/1993	Scanlon	5,832,098 A	11/1998	Chen
D334,043 S	3/1993	Taniguchi et al.	5,841,630 A	11/1998	Seto
5,197,332 A	3/1993	Shennib	5,841,859 A	11/1998	Chen
5,202,197 A	4/1993	Ansell	D402,651 S *	12/1998	Depay et al. .... D14/273
5,225,293 A	7/1993	Mitchell	5,844,824 A	12/1998	Newman et al.
5,251,105 A	10/1993	Kobayashi	5,856,038 A	1/1999	Mason
D341,567 S	11/1993	Acker	5,857,148 A	1/1999	Weissshappel et al.
5,267,181 A	11/1993	George	5,860,204 A	1/1999	Krengel
5,281,957 A	1/1994	Schoolman	5,862,241 A	1/1999	Nelson
D344,494 S	2/1994	Cardenas	D406,098 S	2/1999	Walter et al.
D344,522 S	2/1994	Taniguchi	5,869,204 A	2/1999	Kottke et al.
5,293,647 A	3/1994	Mirmilshiteyn et al.	5,873,070 A	2/1999	Bunte et al.
5,305,244 A	4/1994	Newman et al.	5,890,074 A	3/1999	Rydbeck
D353,818 S *	12/1994	Nakamura ..... D14/205	5,890,108 A	3/1999	Yeldener
5,369,857 A	12/1994	Sacherman	5,895,729 A	4/1999	Phelps et al.
5,371,679 A	12/1994	Abe et al.	D409,137 S	5/1999	Sumita et al.
5,381,473 A	1/1995	Andrea	5,905,632 A	5/1999	Seto et al.
5,381,486 A	1/1995	Ludeke	D410,466 S	6/1999	Mouri
5,406,037 A	4/1995	Nageno	D410,921 S *	6/1999	Luchs et al. .... D14/142
5,438,626 A	8/1995	Neuman	D411,179 S	6/1999	Toyosato
5,438,698 A	8/1995	Burton et al.	5,931,513 A	8/1999	Conti
5,446,788 A	8/1995	Lucey et al.	5,933,330 A	8/1999	Beutler et al.
5,469,505 A *	11/1995	Gathey et al. .... 379/430	5,935,729 A	8/1999	Mareno
5,475,791 A	12/1995	Schalk	D413,582 S	9/1999	Tompkins
5,479,001 A	12/1995	Kumar	D414,470 S	9/1999	Chacon
D367,256 S	2/1996	Tokunaga	5,991,085 A	11/1999	Rallison et al.
5,491,651 A	2/1996	Janik	5,999,085 A	12/1999	Szwarc
5,501,571 A	3/1996	Van Durrett et al.	6,014,619 A	1/2000	Wuppermann et al.
5,515,303 A	5/1996	Cargin et al.	6,016,347 A	1/2000	Magnasco
5,535,437 A	7/1996	Karl et al.	6,021,207 A	2/2000	Puthuff et al.
5,553,312 A	9/1996	Gathey et al.	D422,962 S	4/2000	Shevlin et al.
5,555,490 A	9/1996	Carroll	6,051,334 A	4/2000	Tsurumaru
5,555,554 A	9/1996	Hofer	D424,035 S	5/2000	Steiner et al.
			6,060,193 A	5/2000	Remes

# US D605,629 S

6,061,647 A	5/2000	Barrett	6,446,042 B1	9/2002	Detlef
6,071,640 A	6/2000	Robertson et al.	6,453,020 B1	9/2002	Hughes et al.
6,075,857 A	6/2000	Doss et al.	D463,784 S *	10/2002	Taylor et al. .... D14/206
6,078,825 A	6/2000	Hahn et al.	6,466,681 B1	10/2002	Siska, Jr.
6,084,556 A	7/2000	Zwern	D465,208 S *	11/2002	Lee et al. .... D14/206
6,085,428 A	7/2000	Casby et al.	D466,497 S	12/2002	Wikel
6,091,546 A	7/2000	Spitzer	6,496,111 B1	12/2002	Hosack
D430,158 S	8/2000	Bhatia	6,500,581 B2	12/2002	White et al.
D430,159 S	8/2000	Bhatia et al.	D469,080 S	1/2003	Kohli
6,101,260 A	8/2000	Jensen	6,511,770 B2	1/2003	Chang
6,114,625 A	9/2000	Hughes et al.	6,532,148 B2	3/2003	Jenks
6,120,932 A	9/2000	Slipy et al.	6,560,092 B2	5/2003	Itou et al.
D431,562 S	10/2000	Bhatia et al.	6,562,950 B2	5/2003	Peretz et al.
6,127,990 A	10/2000	Zwern	6,581,782 B2	6/2003	Reed
6,136,467 A	10/2000	Phelps et al.	6,600,798 B2	7/2003	Wuppermann
6,137,868 A	10/2000	Leach	6,615,174 B1	9/2003	Arslan
6,137,879 A	10/2000	Papadopoulos et al.	6,628,509 B2	9/2003	Kono
6,154,669 A	11/2000	Hunter et al.	6,633,839 B2	10/2003	Kushner et al.
D434,762 S	12/2000	Ikenaga	6,658,130 B2	12/2003	Huang
6,157,533 A	12/2000	Sallam	6,660,427 B1	12/2003	Hukill
6,160,702 A	12/2000	Lee	D487,064 S	2/2004	Stekelenburg
6,167,413 A	12/2000	Daley	6,697,465 B1	2/2004	Goss
D436,104 S	1/2001	Bhatia	D488,146 S	4/2004	Minto
6,171,138 B1	1/2001	Lefebvre et al.	D488,461 S	4/2004	Okada
6,179,192 B1	1/2001	Weinger et al.	6,728,325 B1	4/2004	Hwang
6,188,985 B1	2/2001	Thrift	6,731,771 B2	5/2004	Cottrell
6,190,795 B1	2/2001	Daley	D491,917 S	6/2004	Asai
D440,966 S	4/2001	Ronzani	D492,295 S	6/2004	Glatt
6,225,777 B1	5/2001	Garcia et al.	6,743,535 B2	6/2004	Yoneyama
6,226,622 B1	5/2001	Dabbiere	6,745,014 B1	6/2004	Seibert
6,229,694 B1	5/2001	Kono	6,749,960 B2	6/2004	Takeshita
6,230,029 B1	5/2001	Hahn et al.	6,754,361 B1	6/2004	Hall
6,235,420 B1	5/2001	Ng	6,754,632 B1	6/2004	Kalinowski et al.
6,237,051 B1	5/2001	Collins	6,757,651 B2	6/2004	Vergin
D443,870 S	6/2001	Carpenter et al.	D494,517 S	8/2004	Platto et al.
6,261,715 B1	7/2001	Nakamura et al.	6,769,762 B2	8/2004	Saito et al.
D449,289 S	10/2001	Weikel et al.	6,769,767 B2	8/2004	Swab et al.
6,302,454 B1	10/2001	Tsurumaru	6,772,114 B1	8/2004	Sluijter et al.
6,304,430 B1	10/2001	Laine	6,778,676 B2	8/2004	Groth
6,304,459 B1	10/2001	Toyosato et al.	6,795,805 B1	9/2004	Besette et al.
6,310,888 B1	10/2001	Hamlin	6,811,088 B2	11/2004	Lanzaro et al.
6,324,053 B1	11/2001	Kamijo	6,826,532 B1	11/2004	Casby et al.
D451,903 S	12/2001	Amae et al.	6,847,336 B1	1/2005	Lemelson
D451,907 S	12/2001	Amae et al.	6,885,735 B2	4/2005	Odinak et al.
6,325,507 B1	12/2001	Jannard	D506,065 S	6/2005	Sugino et al.
6,326,543 B1	12/2001	Lamp	6,909,546 B2	6/2005	Hirai
6,327,152 B1	12/2001	Saye	D507,523 S	7/2005	Resch et al.
6,339,706 B1	1/2002	Tillgren	6,934,675 B2	8/2005	Glinski
6,339,764 B1	1/2002	Livesay et al.	6,965,681 B2	11/2005	Almqvist
6,349,001 B1	2/2002	Spitzer	D512,417 S	12/2005	Hirakawa et al.
6,353,313 B1	3/2002	Estep	D512,985 S	12/2005	Travers et al.
6,356,635 B1	3/2002	Lyman et al.	D519,497 S	4/2006	Komiyama
6,357,534 B1	3/2002	Buetow et al.	7,027,774 B2	4/2006	Kuon
6,359,603 B1	3/2002	Zwern	7,052,799 B2	5/2006	Zatezalo et al.
6,359,777 B1	3/2002	Newman	7,063,263 B2	6/2006	Swartz et al.
6,359,995 B1	3/2002	Ou	D524,794 S	7/2006	Kim
6,364,126 B1	4/2002	Enriquez	D525,237 S *	7/2006	Viduya et al. .... D14/223
6,369,952 B1	4/2002	Rallison et al.	7,076,236 B2	7/2006	Ihira et al.
6,371,535 B2	4/2002	Wei	7,082,393 B2	7/2006	Lahr
6,373,693 B1	4/2002	Seto et al.	7,085,543 B2	8/2006	Nassimi
6,373,942 B1	4/2002	Braund	7,099,464 B2	8/2006	Lucey et al.
6,374,126 B1	4/2002	MacDonald, Jr. et al.	7,107,057 B2	9/2006	Arazi et al.
6,376,942 B1	4/2002	Burger	7,110,800 B2	9/2006	Nagayasu et al.
6,377,825 B1	4/2002	Kennedy et al.	7,110,801 B2	9/2006	Nassimi
D457,133 S	5/2002	Yoneyama	D529,447 S	10/2006	Greenfield
D457,512 S *	5/2002	Yoneda ..... D14/205	D531,586 S	11/2006	Poulet
6,384,591 B1	5/2002	Estep	7,136,684 B2	11/2006	Matsuura et al.
6,384,982 B1	5/2002	Spitzer	7,143,041 B2	11/2006	Sacks et al.
6,386,107 B1	5/2002	Rancourt	7,181,402 B2	2/2007	Jax
6,394,278 B1	5/2002	Reed	7,203,651 B2	4/2007	Baruch et al.
D458,247 S *	6/2002	Davies et al. .... D14/206	7,225,130 B2	5/2007	Roth et al.
6,434,251 B1	8/2002	Jensen	7,242,765 B2	7/2007	Hairston
6,445,175 B1	9/2002	Estep	D549,216 S *	8/2007	Viduya et al. .... D14/206

# US D605,629 S

Page 4

D549,217	S	*	8/2007	Viduya et al. ....	D14/206
D549,694	S	*	8/2007	Viduya et al. ....	D14/223
D551,615	S		9/2007	Wahl	
D552,595	S		10/2007	Viduya et al.	
7,343,283	B2		3/2008	Ashley	
7,346,175	B2		3/2008	Hui et al.	
D567,218	S		4/2008	Viduya et al.	
D567,219	S	*	4/2008	Viduya et al. ....	D14/205
D567,799	S	*	4/2008	Viduya et al. ....	D14/205
D567,806	S	*	4/2008	Viduya et al. ....	D14/223
7,369,991	B2		5/2008	Manabe et al.	
7,391,863	B2		6/2008	Viduya	
7,496,387	B2		2/2009	Byford et al.	
D587,683	S	*	3/2009	Ham et al. ....	D14/205
D587,684	S	*	3/2009	Ham et al. ....	D14/205
7,519,186	B2		4/2009	Varma	
7,519,196	B2		4/2009	Bech	
2001/0017925	A1		8/2001	Ceravolo	
2001/0017926	A1		8/2001	Vicamini	
2001/0046305	A1		11/2001	Pallai	
2002/0003889	A1		1/2002	Fischer	
2002/0015008	A1		2/2002	Kishida	
2002/0016161	A1		2/2002	Dellien	
2002/0067825	A1		6/2002	Baranowski	
2002/0068610	A1		6/2002	Anvekar	
2002/0076060	A1		6/2002	Hall	
2002/0091526	A1		7/2002	Kiessling	
2002/0110246	A1		8/2002	Gosior	
2002/0111197	A1		8/2002	Fitzgerald	
2002/0131616	A1		9/2002	Bronnikov	
2002/0152065	A1		10/2002	Kopp	
2002/0159574	A1		10/2002	Stogel	
2003/0095525	A1		5/2003	Lavin	
2003/0103413	A1		6/2003	Jacobi, Jr.	
2003/0130852	A1		7/2003	Tanaka	
2003/0179888	A1		9/2003	Burnett	
2003/0182243	A1		9/2003	Gerson	
2003/0212480	A1		11/2003	Lutter	

2003/0217367	A1	11/2003	Romano
2003/0228023	A1	12/2003	Burnett
2004/0010407	A1	1/2004	Kovesi
2004/0024586	A1	2/2004	Andersen
2004/0046637	A1	3/2004	Wesby Van Swaay
2004/0063475	A1	4/2004	Weng
2004/0091129	A1	5/2004	Jensen
2005/0232436	A1	10/2005	Nagayasu
2005/0272401	A1	12/2005	Zatezalo
2007/0223766	A1	9/2007	Davis

## FOREIGN PATENT DOCUMENTS

DE	3604929	8/1987
EP	0380290	8/1990
EP	1018854	7/2000

## OTHER PUBLICATIONS

Four-page Vocollect Speech Recognition Headsets brochure—SR 30 Series Talkman High-Noise Headset. Copyright 2005.

Two-page Vocollect SR 20 Talkman Lightweight Headset Product Information Sheet. Copyright Aug. 2004.

Photographs 1-7 SR Talkman Headset Aug. 2004—Prior art.

Two-page Supplemental Vocollect SR 20, Talkman Lightweight Headset brochure. Copyright Aug. 2004.

Photographs 1-8 SR Talkman Headset.

Hong Kook Kim, et al.; A Bitstream-Based Front-End for Wireless Speech Recognition on IS-136 Communications Systems; IEEE Transactions on Speech and Audio Processing; Manuscript received Feb. 16, 200, revised Jan. 25, 2001; 11 Pages; vol. 9; No. 5; Jul. 2001; New York, NY, US.

Mladen Russo, et al.; Speech Recognition over Bluetooth ACL and SCO Links; A Comparison; Consumer Communications and Networking Conference 2005; Jan. 3-6, 2005; 5 Pages, Las Vegas, NV, US.

English Language Translation of Foreign Reference #1 above (DE2628259).

\* cited by examiner

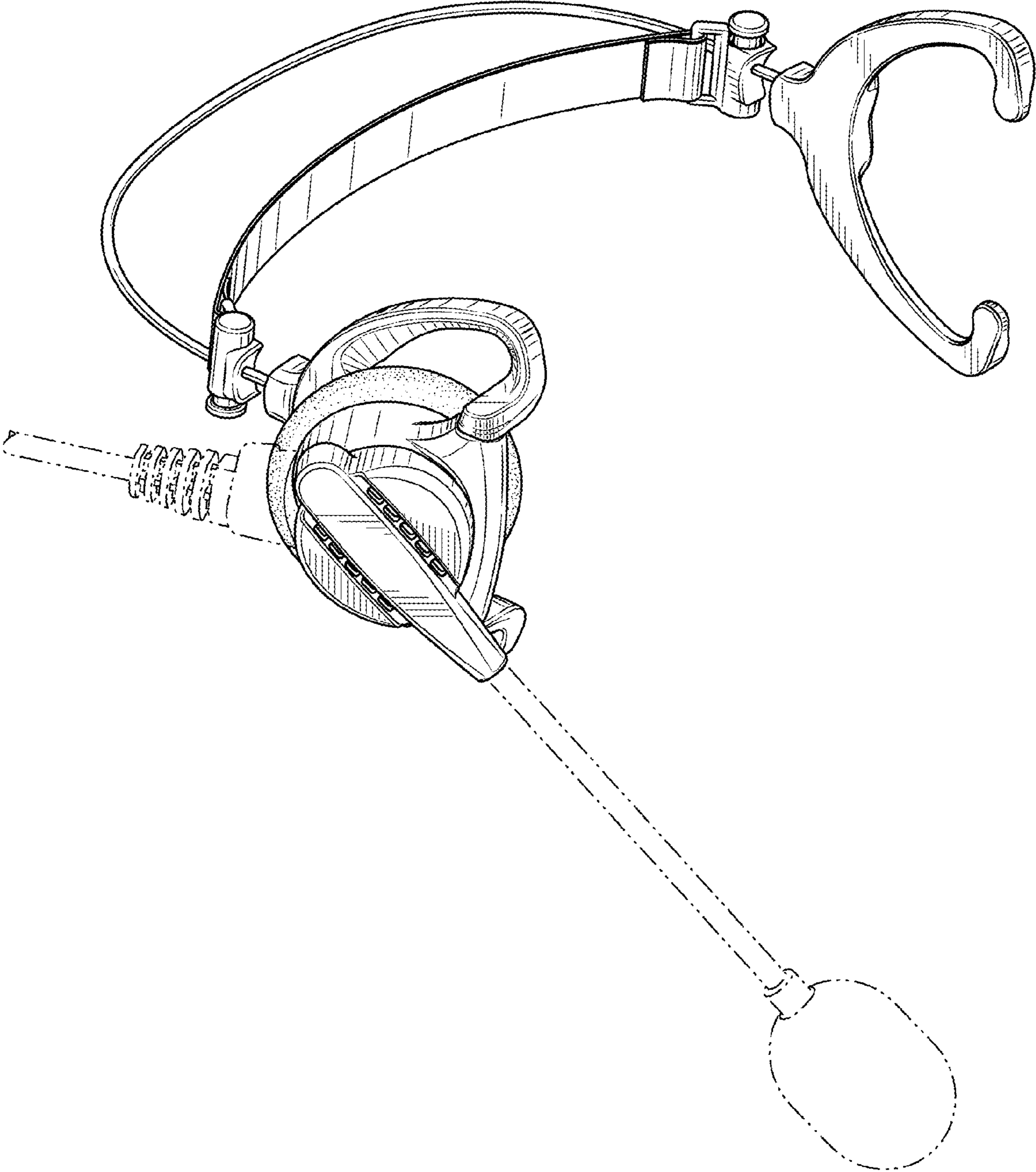


FIG. 1

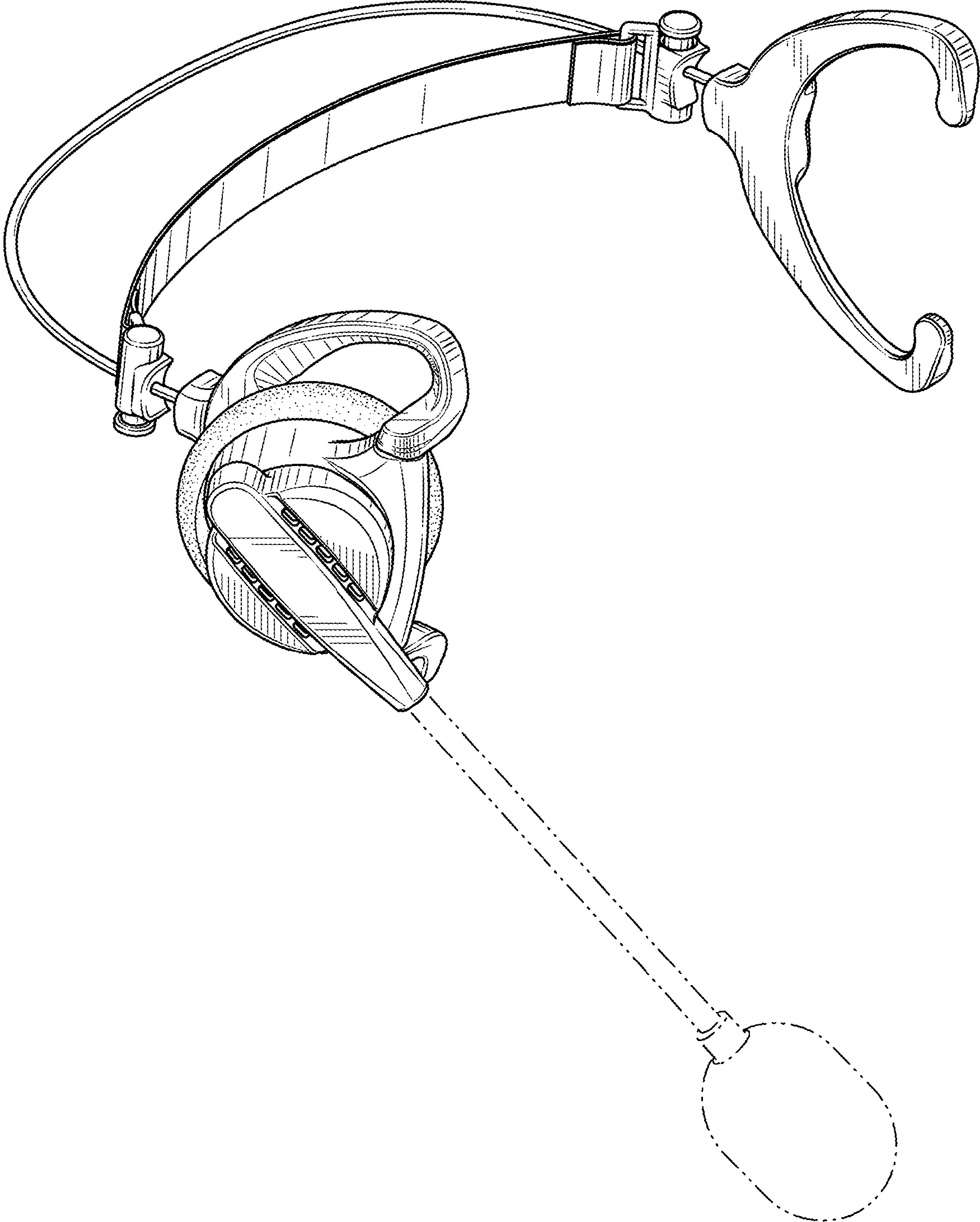


FIG. 2

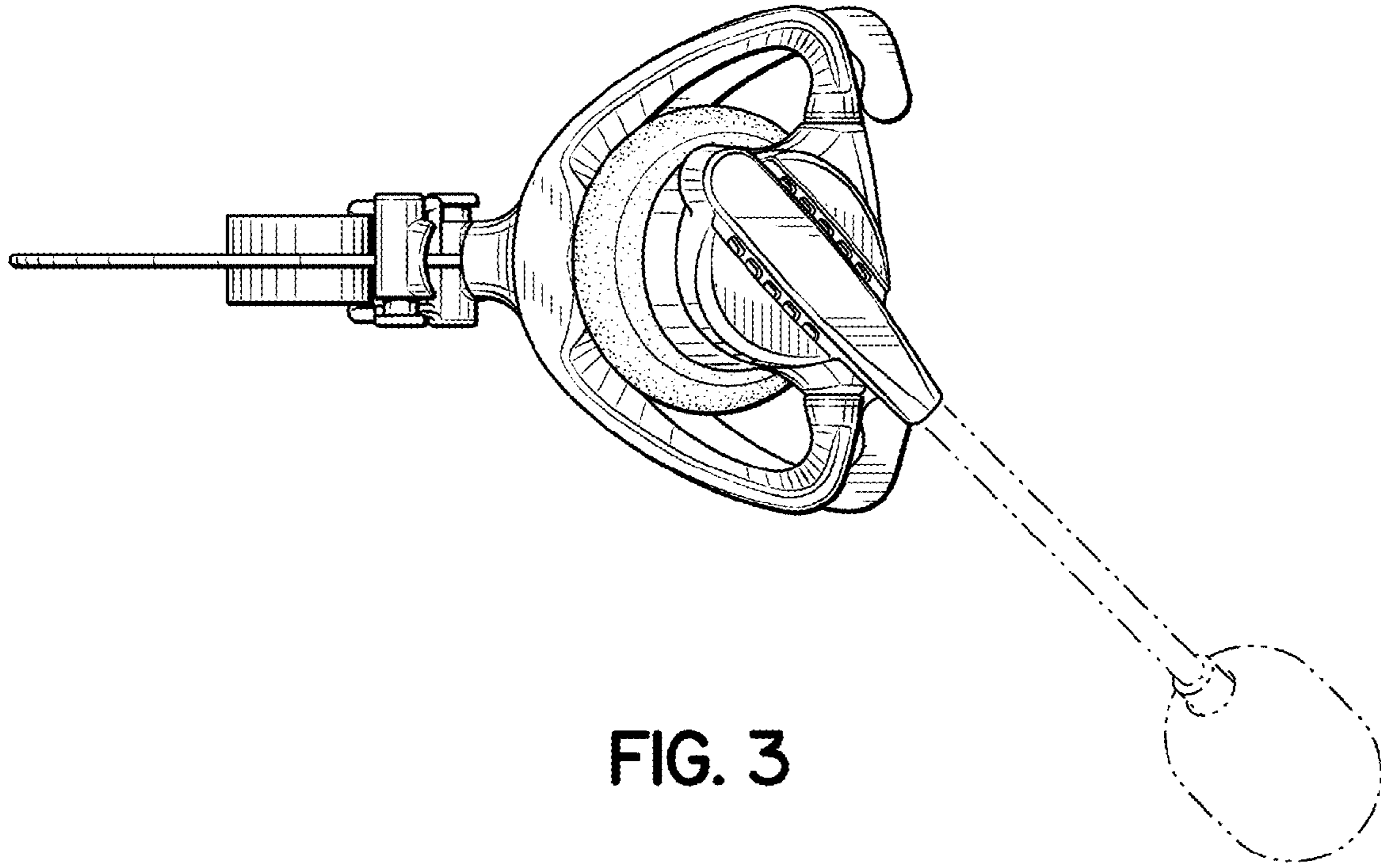


FIG. 3

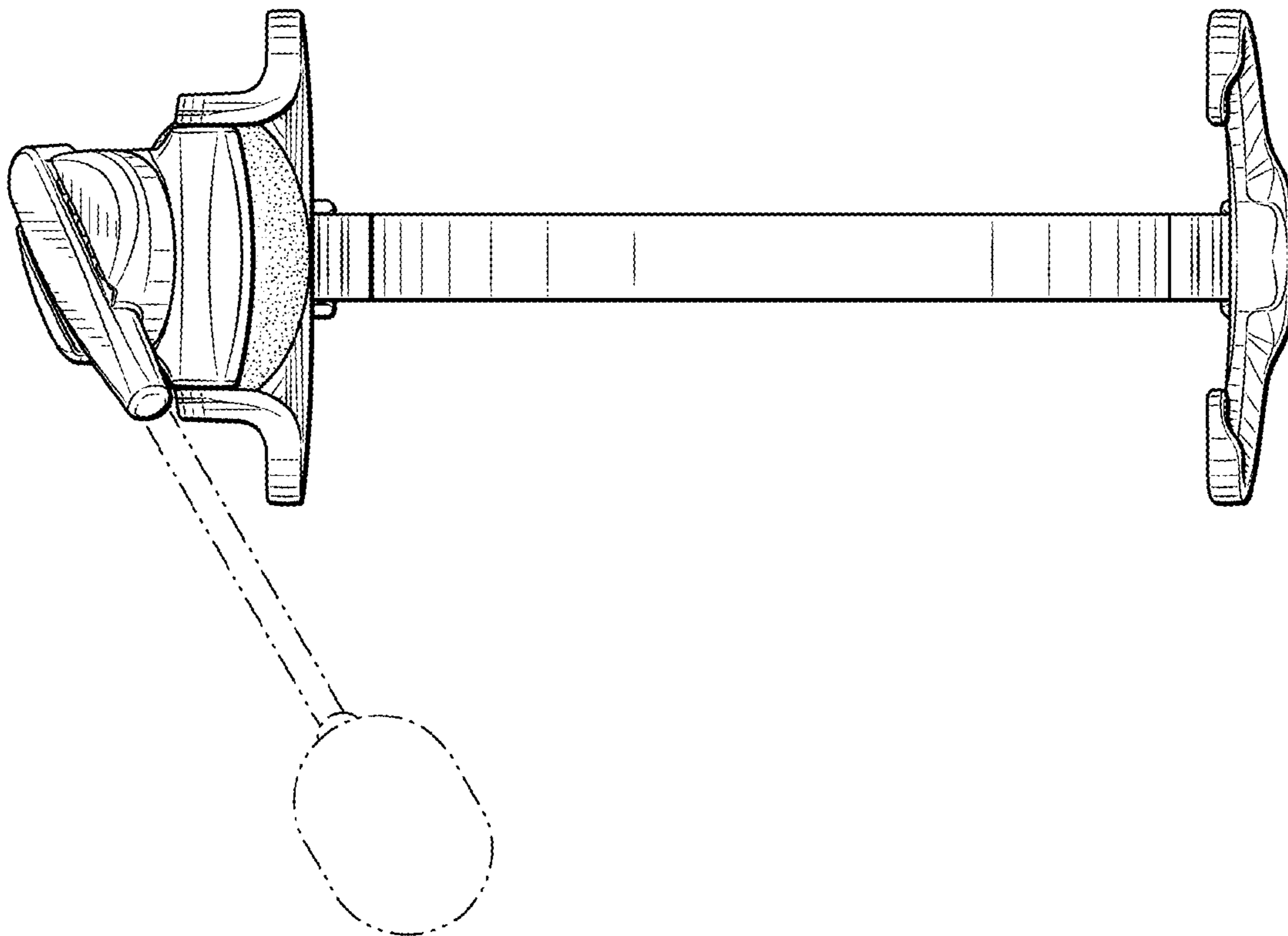
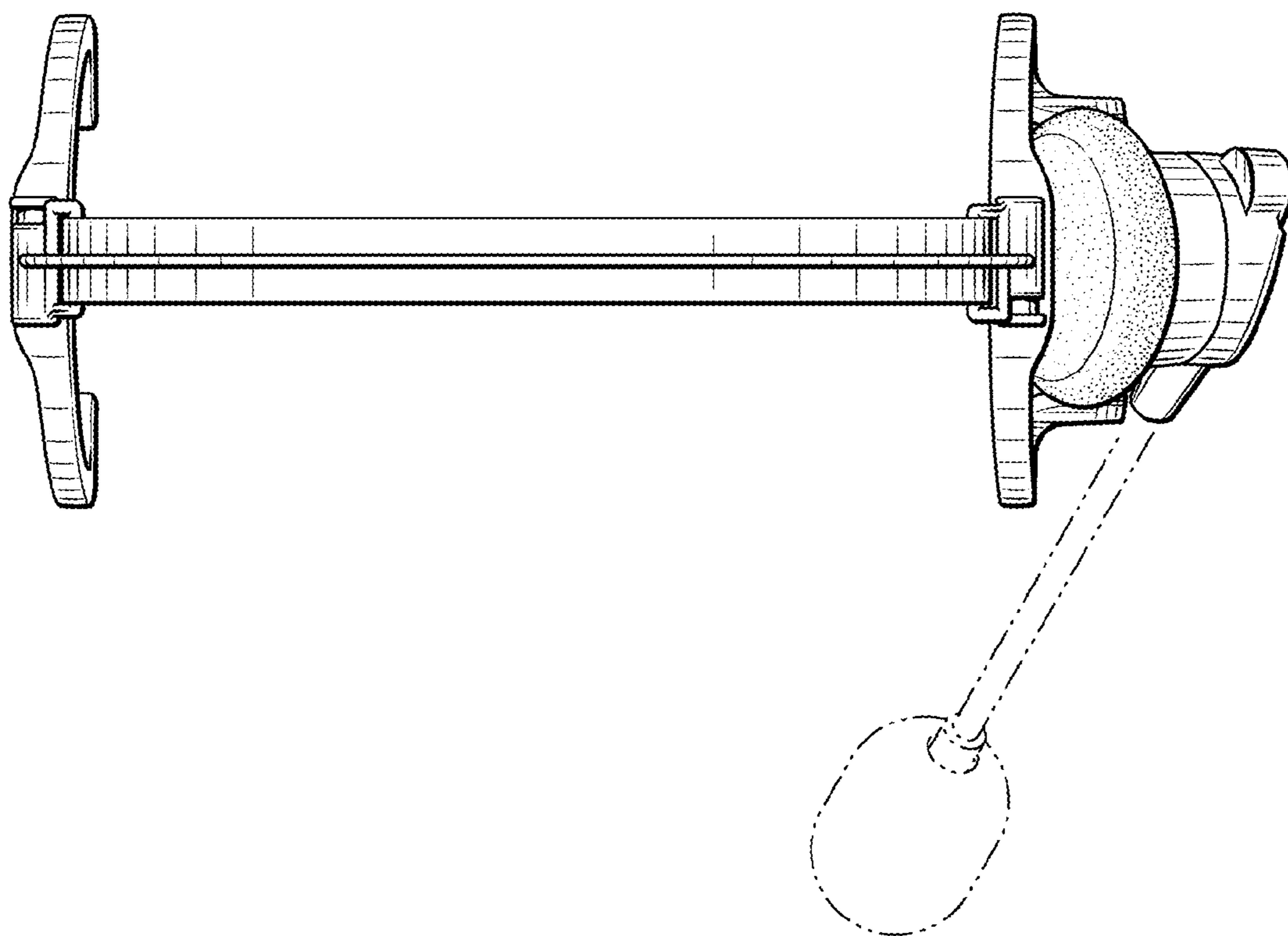
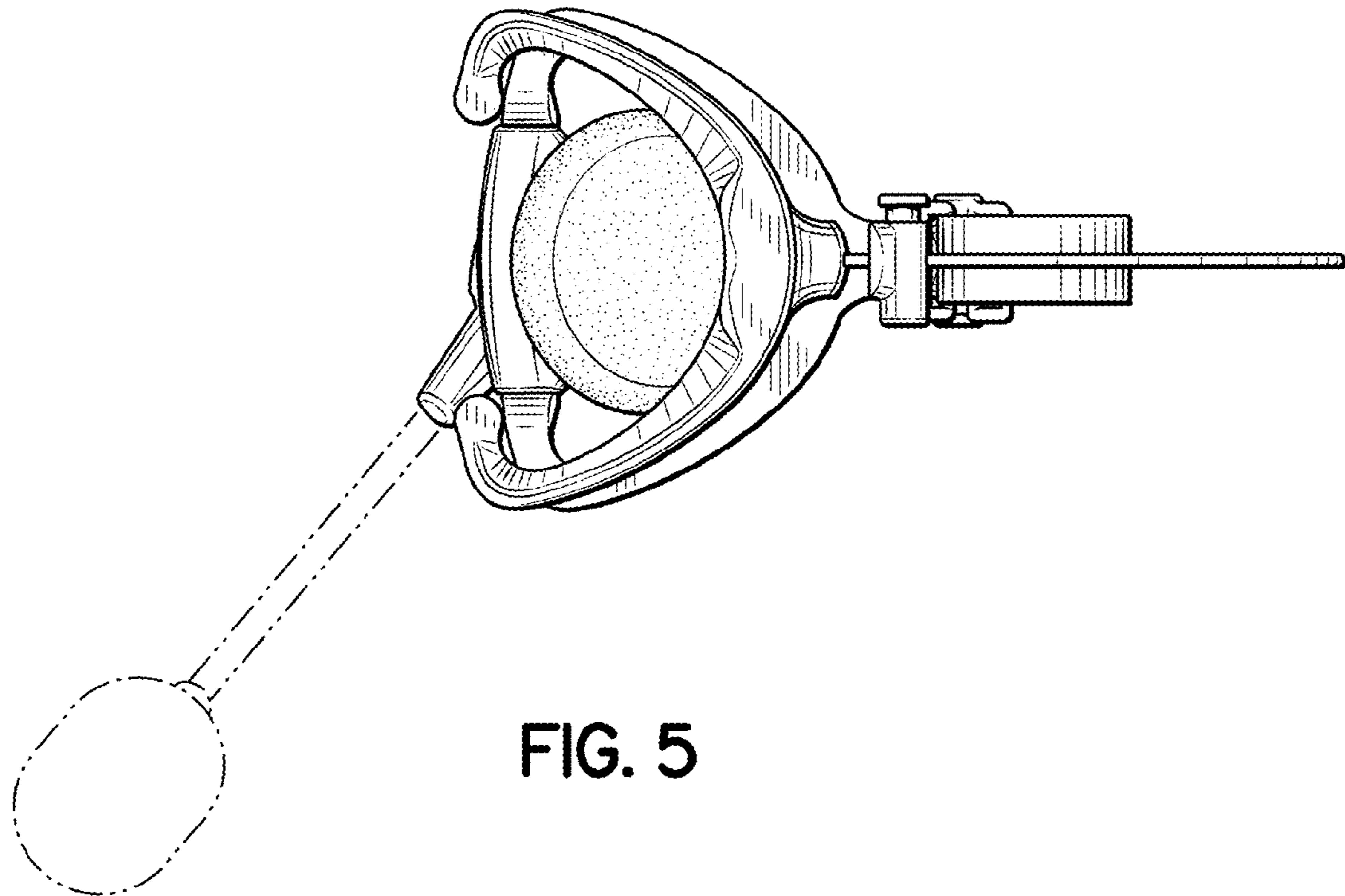


FIG. 4





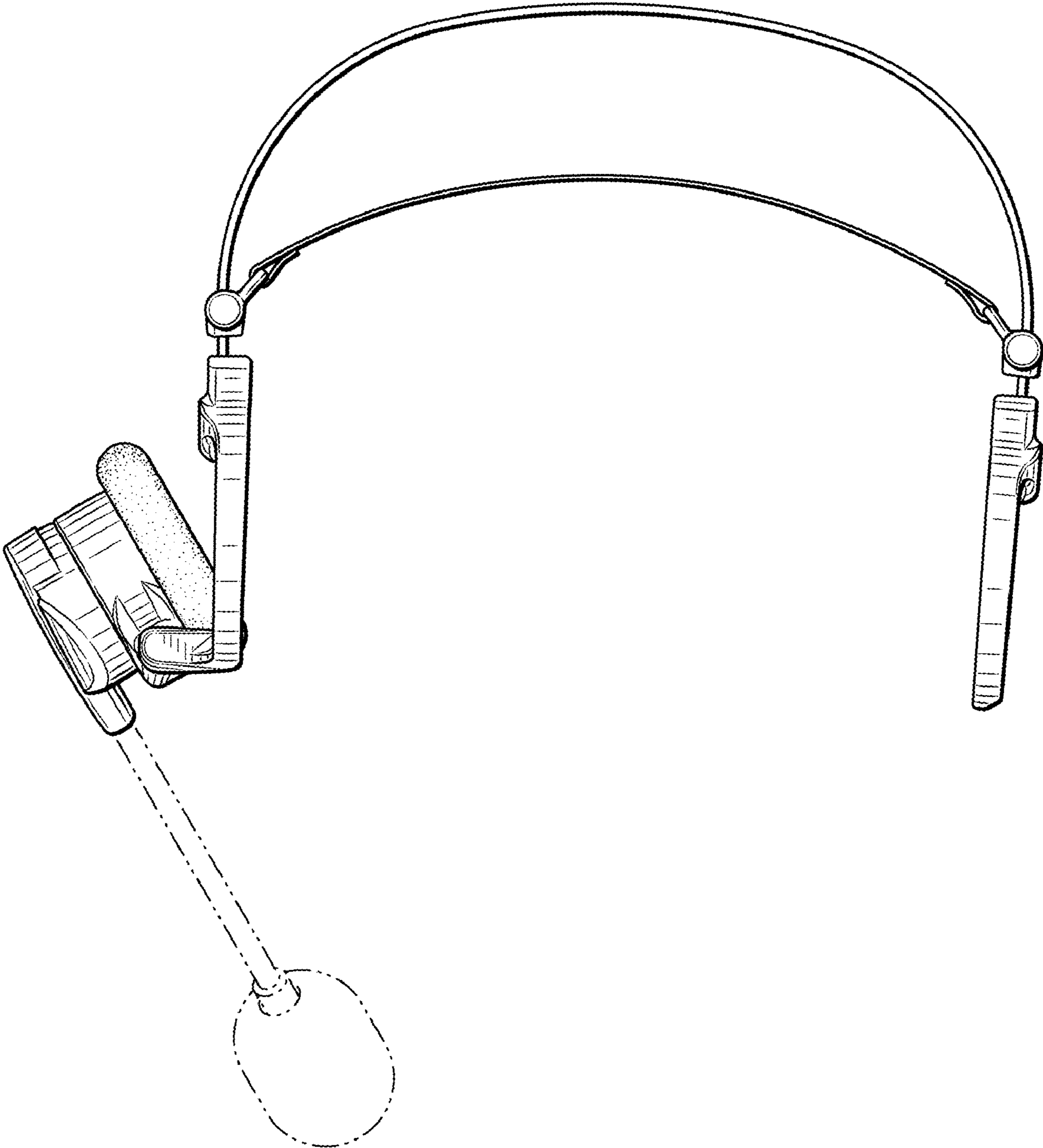


FIG. 7

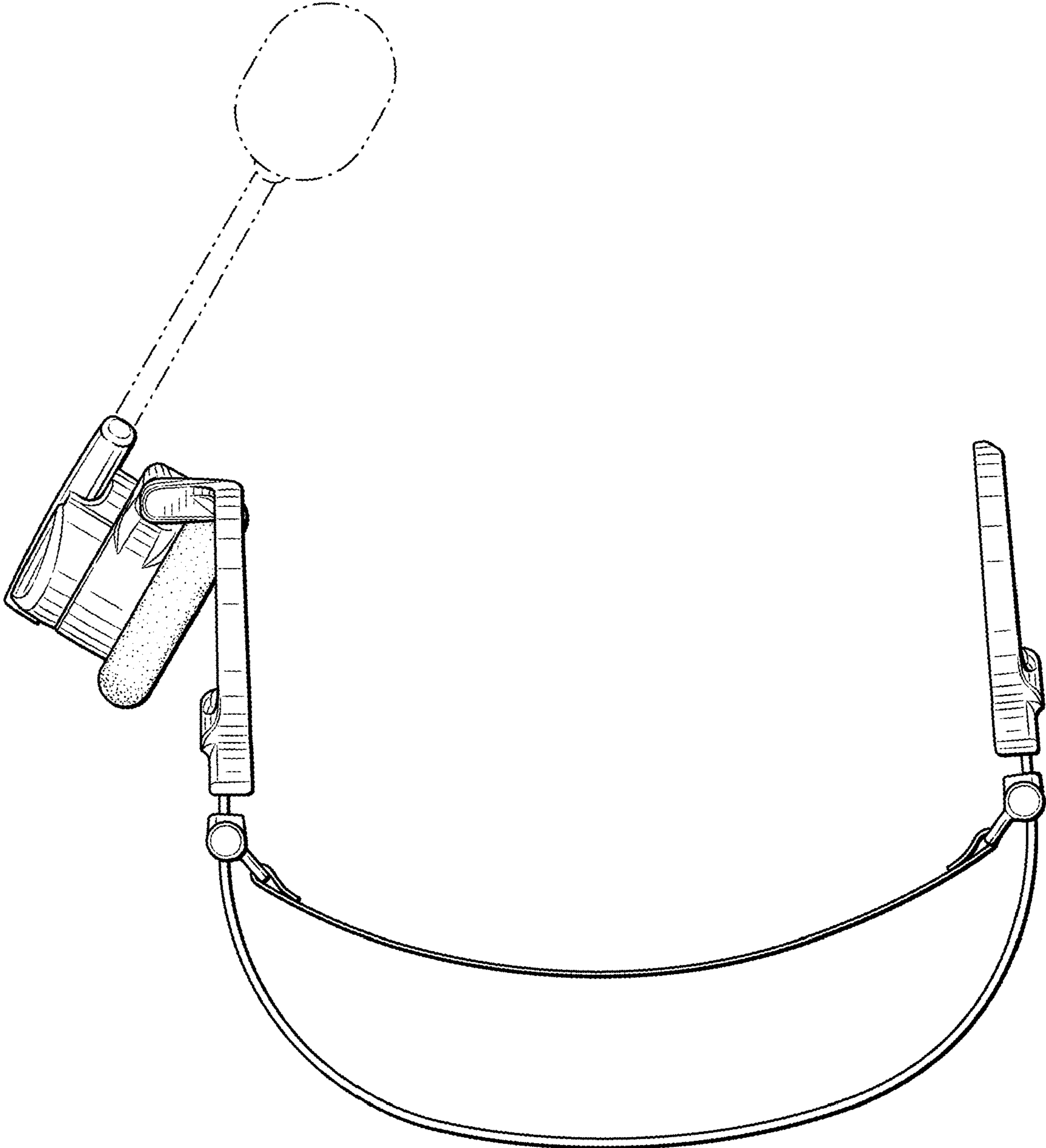


FIG. 8