



US00D605626S

(12) **United States Design Patent**
Park

(10) **Patent No.:** **US D605,626 S**

(45) **Date of Patent:** **** Dec. 8, 2009**

(54) **PORTABLE MULTIMEDIA PLAYER**

(75) Inventor: **Sung-Won Park**, Seoul (KR)

(73) Assignee: **Samsung Electronics Co., Ltd.**,
Suwon-Si (KR)

(**) Term: **14 Years**

(21) Appl. No.: **29/335,153**

(22) Filed: **Apr. 9, 2009**

(30) **Foreign Application Priority Data**

Jan. 13, 2009 (KR) 30-2009-0001323

(51) **LOC (9) Cl.** **14-03**

(52) **U.S. Cl.** **D14/203.7; D14/496; D14/203.1**

(58) **Field of Classification Search** D14/496,
D14/401, 435, 474, 483, 217, 137, 138, 160,
D14/168, 356, 203.1–203.8, 507; 345/156,
345/169, 173–179, 905; 715/727–729, 864;
710/1, 5, 8; 713/1, 600; 455/1.1, 1.7, 73,
455/344–347, 93, 95, 3.01–3.06, 550.1, 573.1;
370/342–344; 369/1, 2, 6–12; 463/43–47;
273/148 B

See application file for complete search history.

(56) **References Cited**

U.S. PATENT DOCUMENTS

5,661,632 A * 8/1997 Register 361/679.3
6,639,577 B2 * 10/2003 Eberhard 345/102
6,671,567 B1 * 12/2003 Dwyer et al. 700/94

6,791,907 B2 * 9/2004 Berhan 369/7
D517,088 S * 3/2006 Chong et al. D14/203.7
D520,515 S * 5/2006 Sitoh D14/203.7
D534,545 S * 1/2007 Leija et al. D14/496
D556,211 S * 11/2007 Howard D14/496

* cited by examiner

Primary Examiner—Prabhakar Deshmukh

(74) *Attorney, Agent, or Firm*—Staas & Halsey LLP

(57) **CLAIM**

The ornamental design for a portable multimedia player, as shown and described.

DESCRIPTION

FIG. 1 is a front perspective view of a portable multimedia player;

FIG. 2 is a front view of the portable multimedia player of FIG. 1;

FIG. 3 is a rear view of the portable multimedia player of FIG. 1;

FIG. 4 is a left-side view of the portable multimedia player of FIG. 1;

FIG. 5 is a right-side view of the portable multimedia player of FIG. 1;

FIG. 6 is a top plan view of the portable multimedia player of FIG. 1; and,

FIG. 7 is a bottom plan view of the portable multimedia player of FIG. 1.

1 Claim, 4 Drawing Sheets

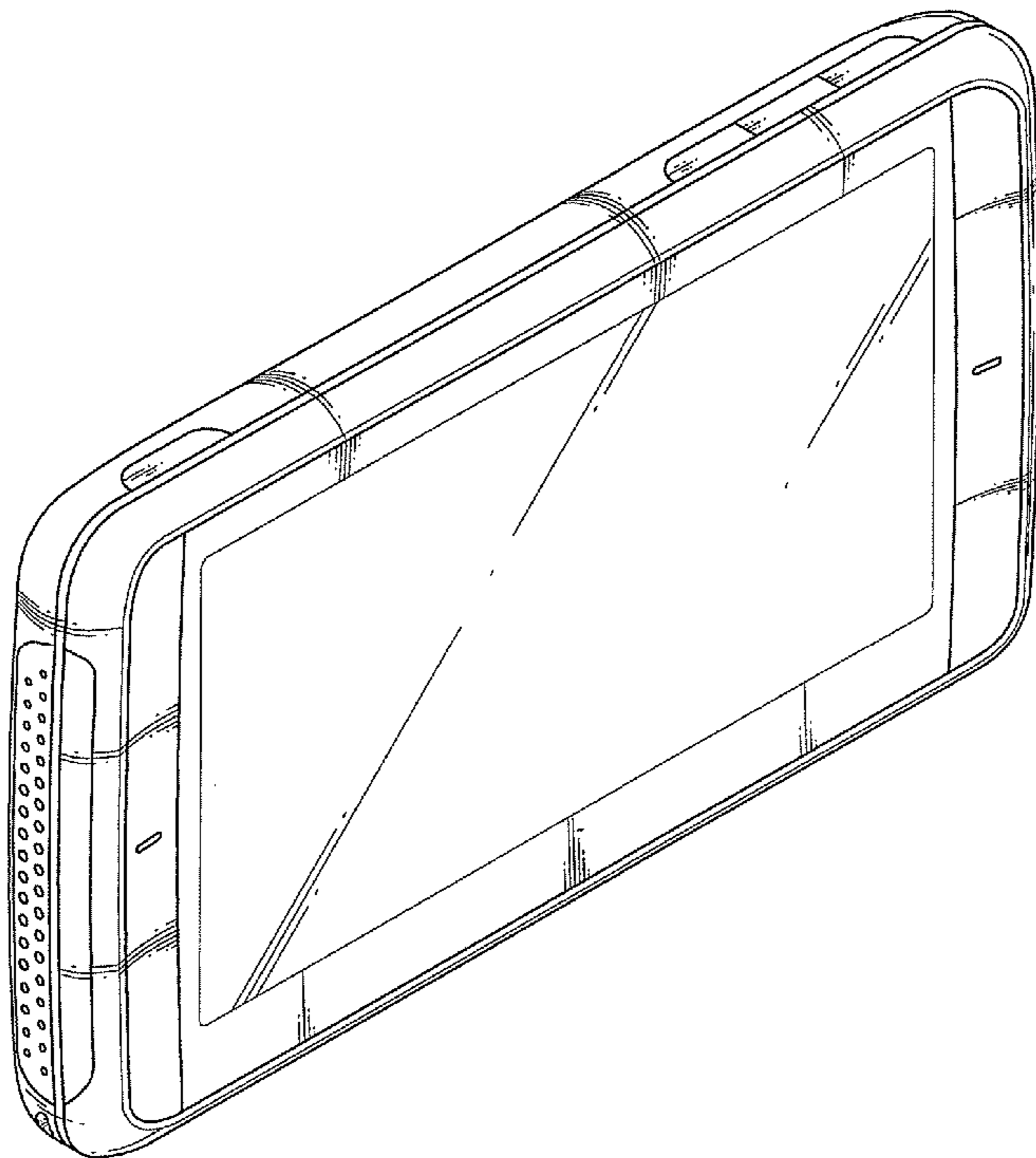


FIG. 1

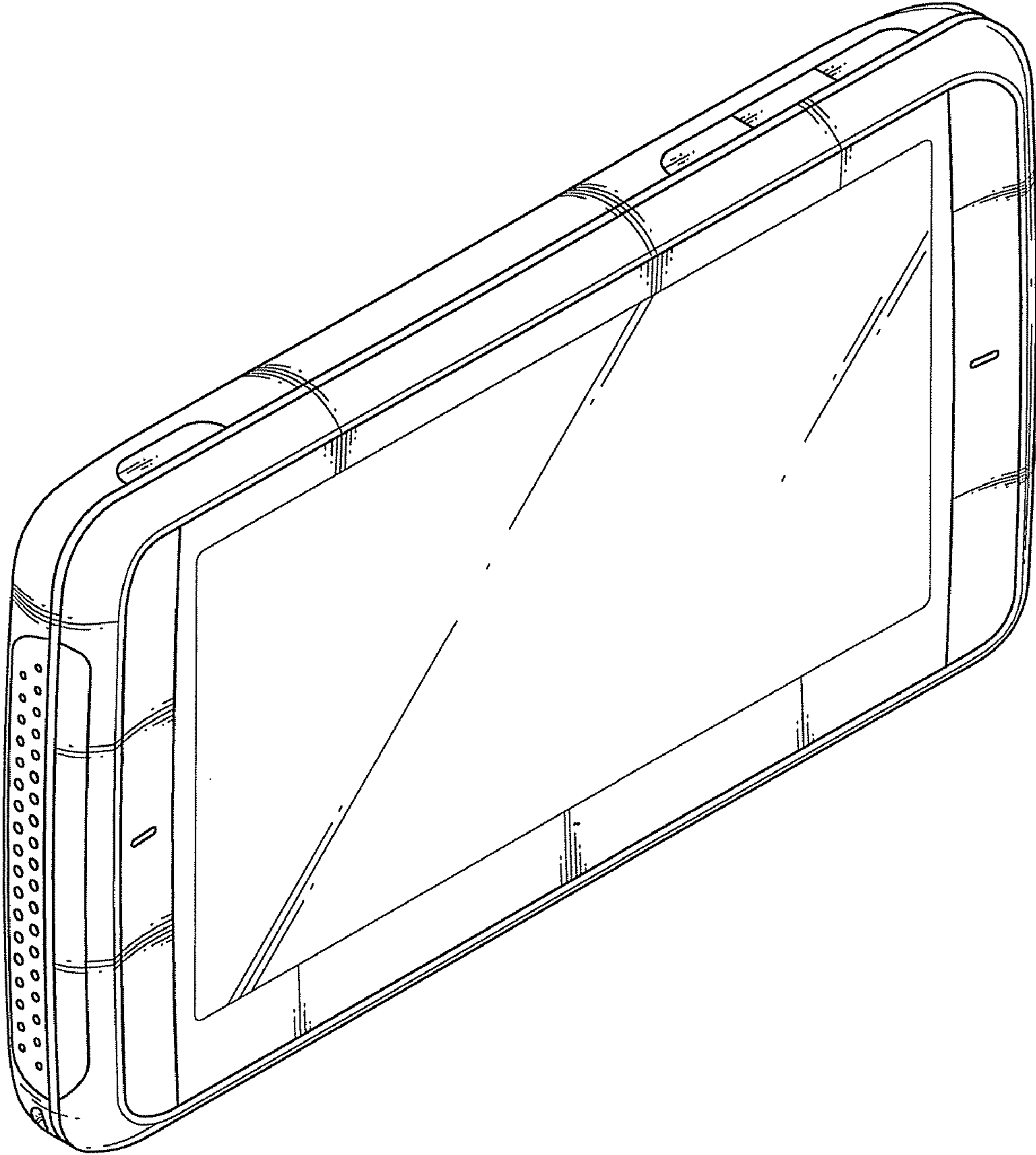


FIG.2

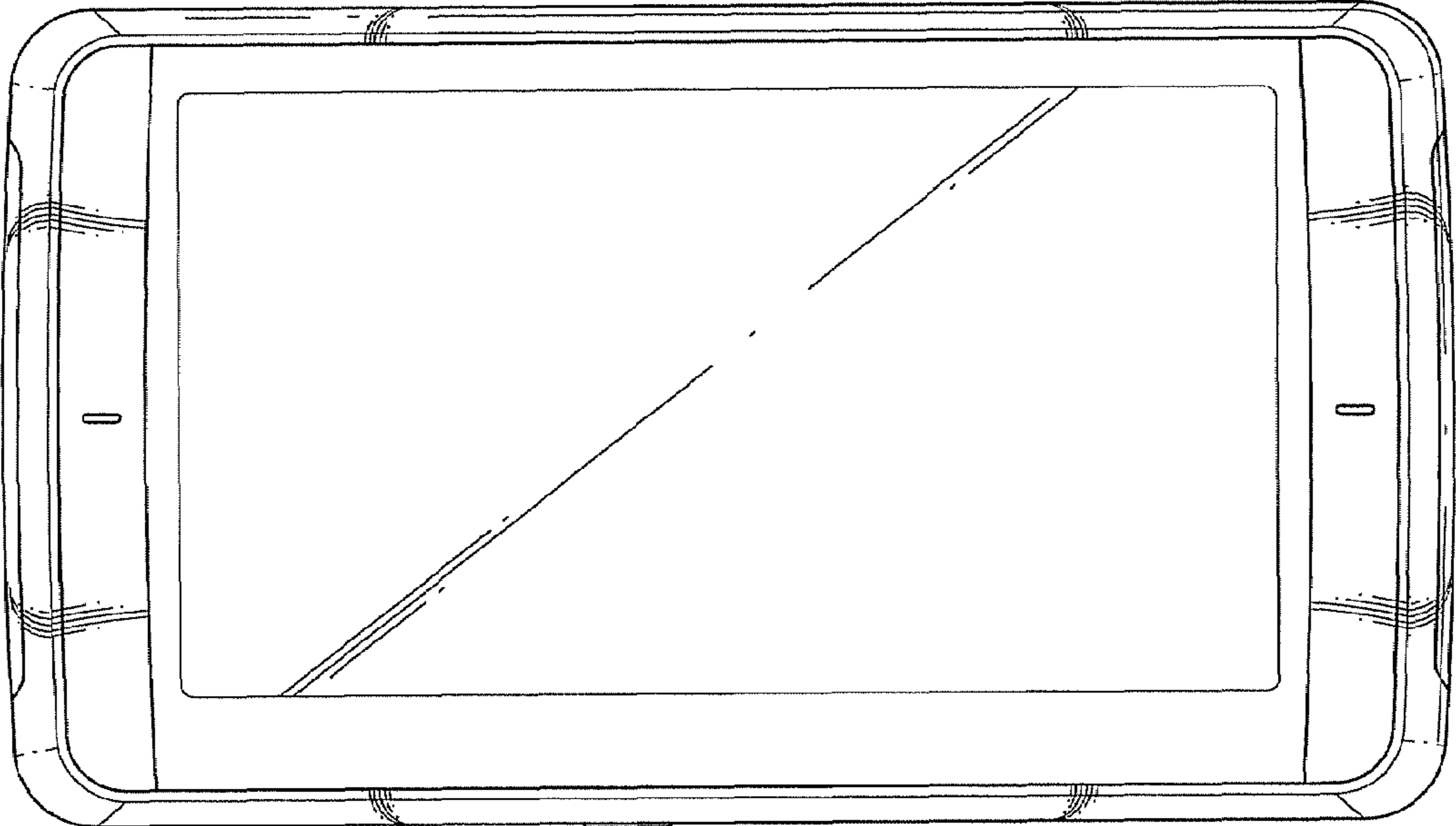


FIG.3

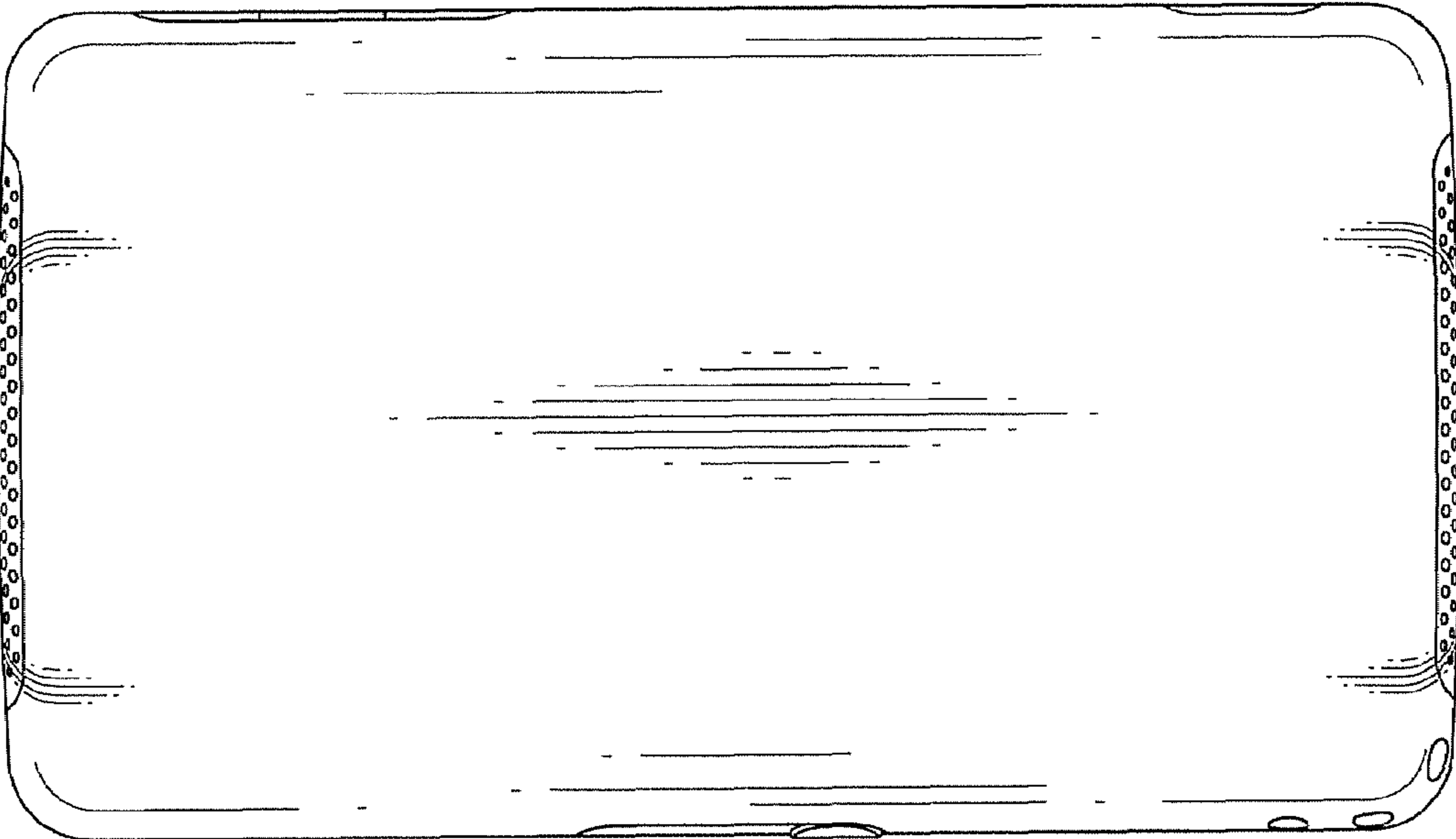


FIG. 4

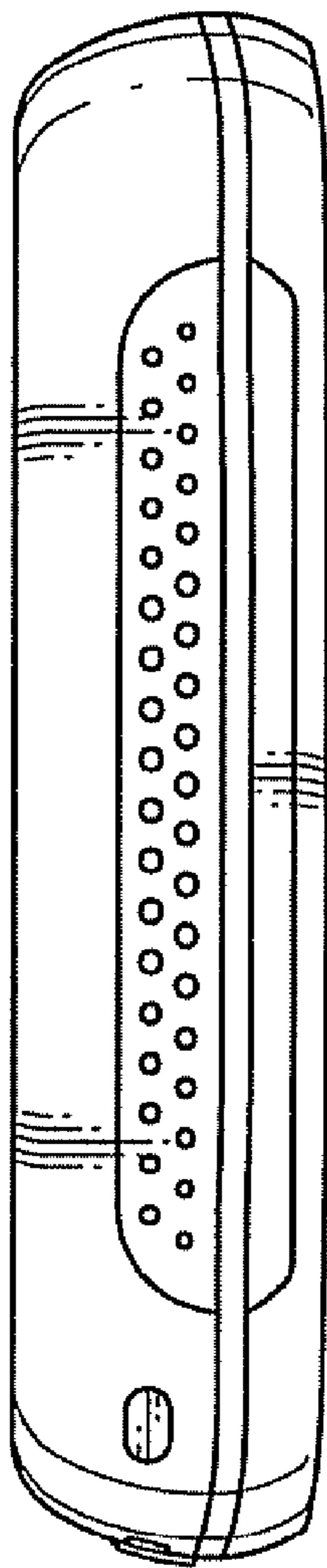


FIG. 5

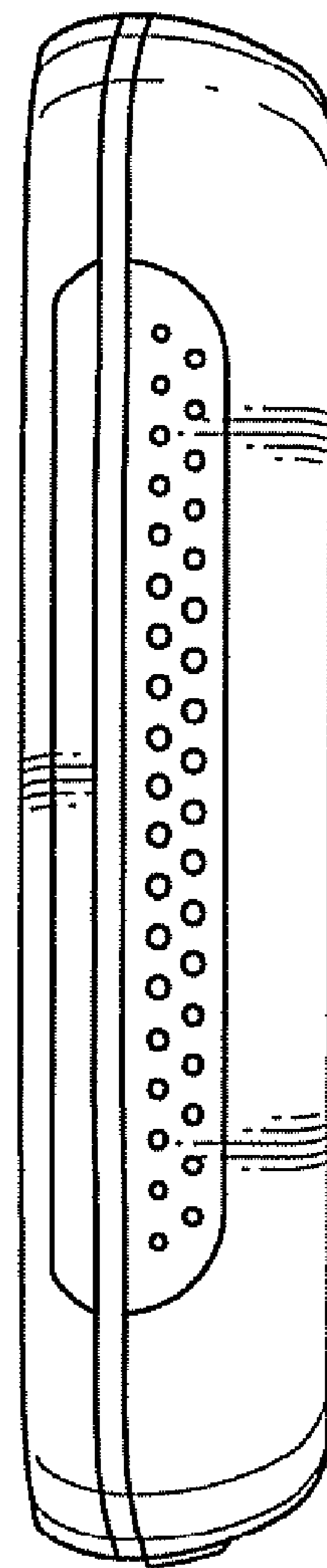


FIG. 6

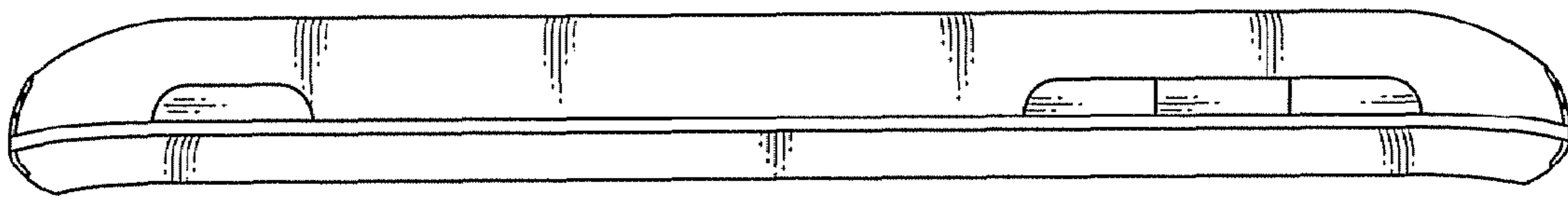


FIG. 7

