



US00D605625S

(12) **United States Design Patent**  
**Skurdal**

(10) **Patent No.:** **US D605,625 S**  
(45) **Date of Patent:** **\*\* Dec. 8, 2009**

(54) **ALARM CLOCK WITH MEDIA PLAYER DOCK**

D583,358 S \* 12/2008 Joseph ..... D14/171  
D587,675 S \* 3/2009 Xie ..... D14/168

(75) Inventor: **Andrew Skurdal**, Jersey City, NJ (US)

\* cited by examiner

(73) Assignee: **SDI Technologies Inc.**, Rahway, NJ (US)

*Primary Examiner*—Stella M Reid

*Assistant Examiner*—Keli L Hill

(74) *Attorney, Agent, or Firm*—Ostrolenk Faber LLP

(\*\*) Term: **14 Years**

(57) **CLAIM**

(21) Appl. No.: **29/329,996**

The ornamental design for alarm clock with media player dock, as shown and described.

(22) Filed: **Dec. 24, 2008**

(51) **LOC (9) Cl.** ..... **14-03**

(52) **U.S. Cl.** ..... **D14/171; D14/217**

(58) **Field of Classification Search** ..... D14/137,  
D14/155, 156, 168, 170, 171, 188, 189, 193–198,  
D14/210, 212, 214, 217, 496, 140, 142–144,  
D14/147, 148, 203.1–203.8; D10/2; 312/7.1;  
369/6–12; 370/342–344; 455/90.1–90.3,  
455/344–355

See application file for complete search history.

**DESCRIPTION**

FIG. 1 is a top, front perspective view of an alarm clock with media player dock showing my new design;

FIG. 2 is a side view thereof, the opposite side view being a mirror image;

FIG. 3 is a bottom view thereof;

FIG. 4 is a rear view thereof;

FIG. 5 is a front view thereof;

FIG. 6 is a top view thereof; and,

FIG. 7 is a cross-sectional view along line 7–7 in FIG. 5.

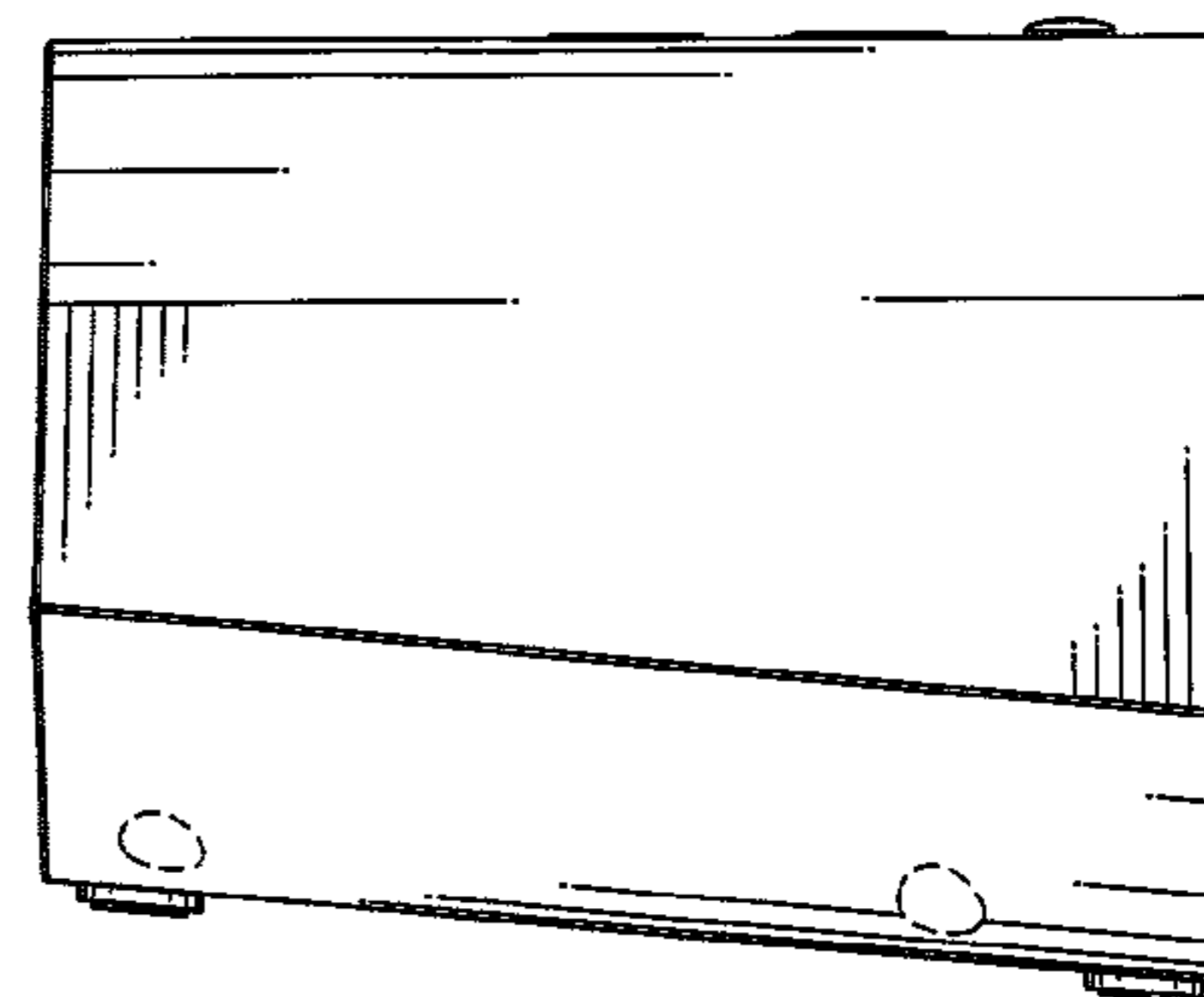
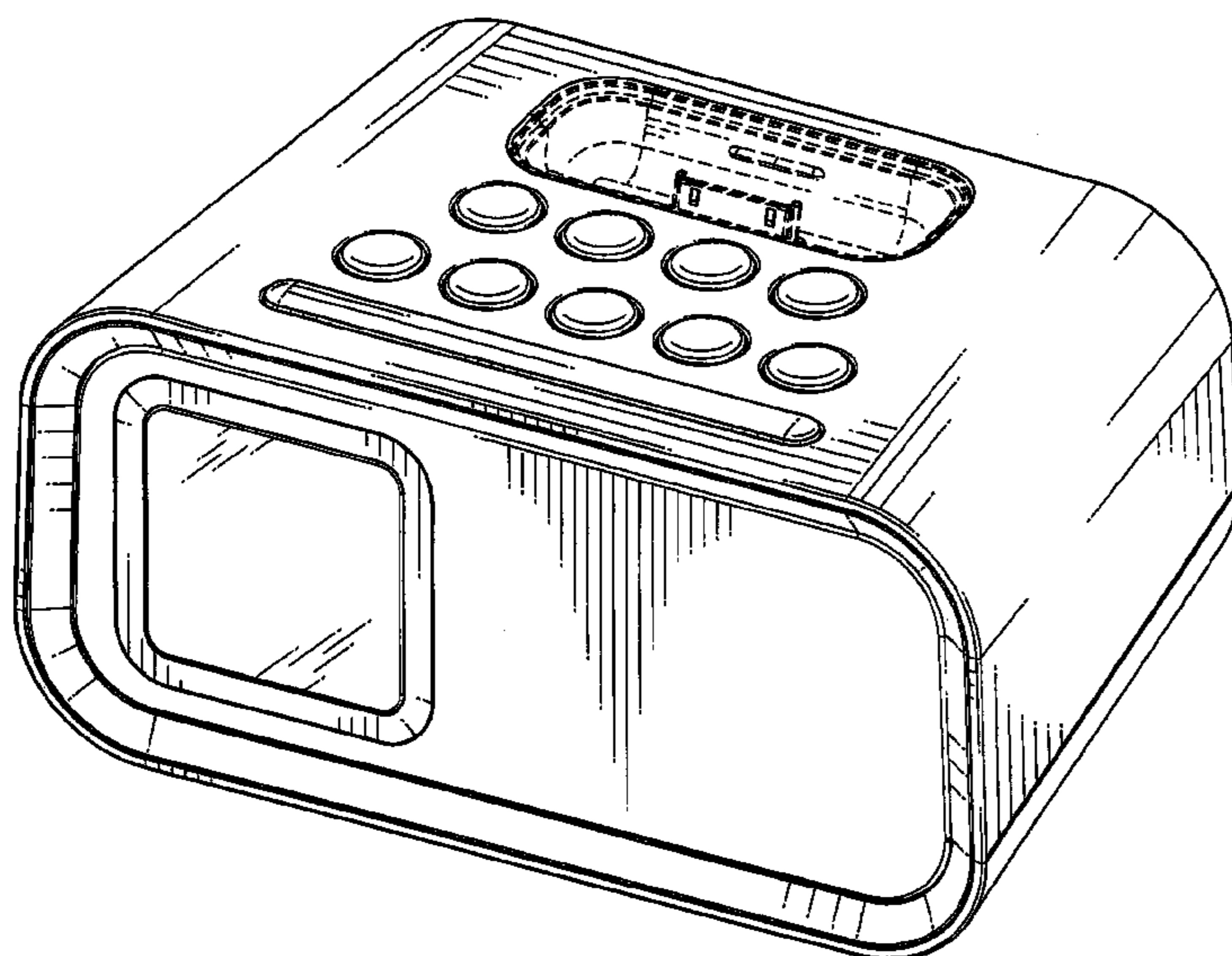
The broken line in the drawings illustrate environmental material that forms no part of the claimed design. The claim is as shown and described.

(56) **References Cited**

**U.S. PATENT DOCUMENTS**

D194,976 S *	4/1963	Waytena	.....	D10/104
D232,766 S *	9/1974	Houlihan	.....	D14/170
D433,009 S *	10/2000	Kokkinis	.....	D14/171
D529,478 S *	10/2006	Rozier	.....	D14/188
D579,914 S *	11/2008	Okamura et al.	.....	D14/172

**1 Claim, 7 Drawing Sheets**



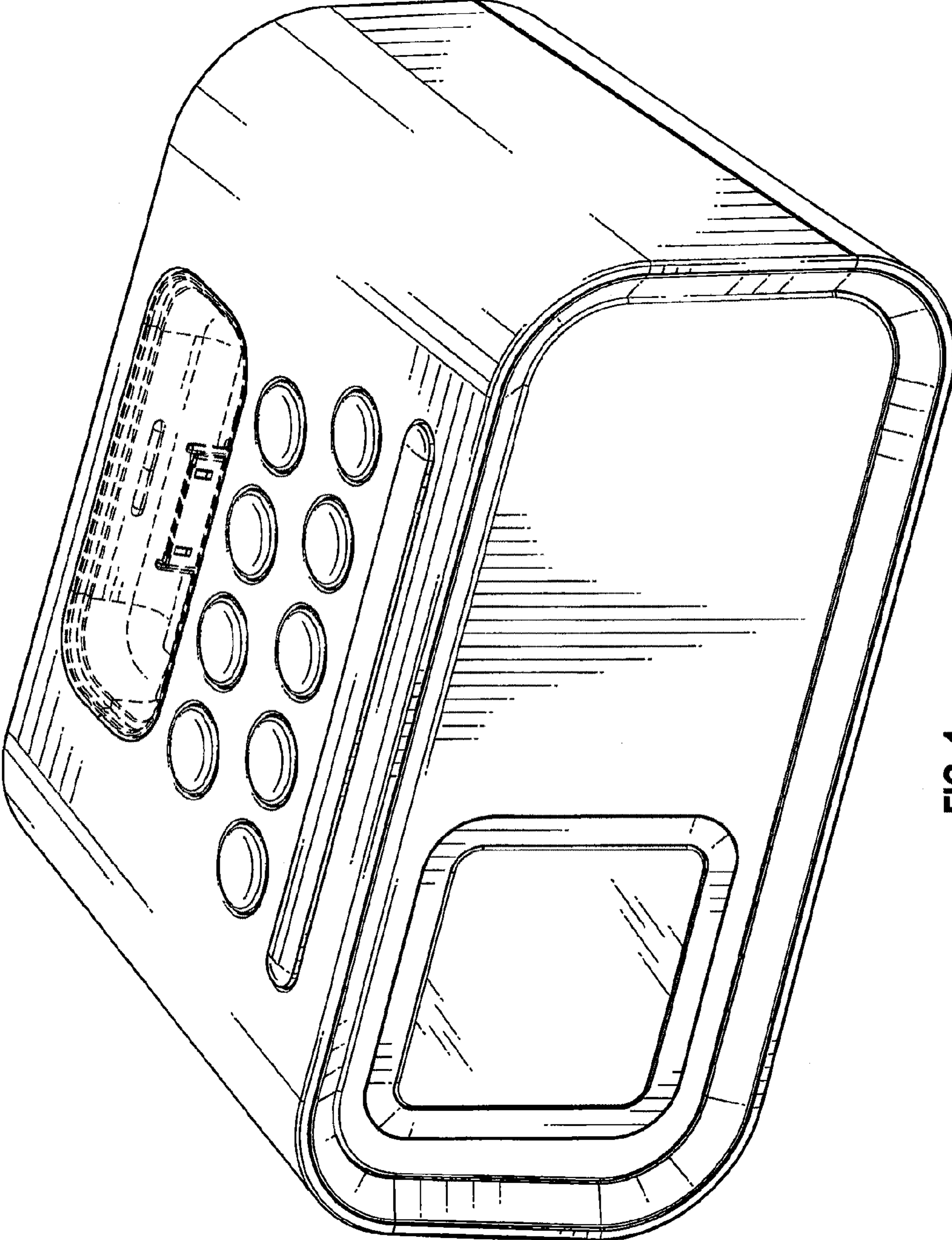


FIG. 1

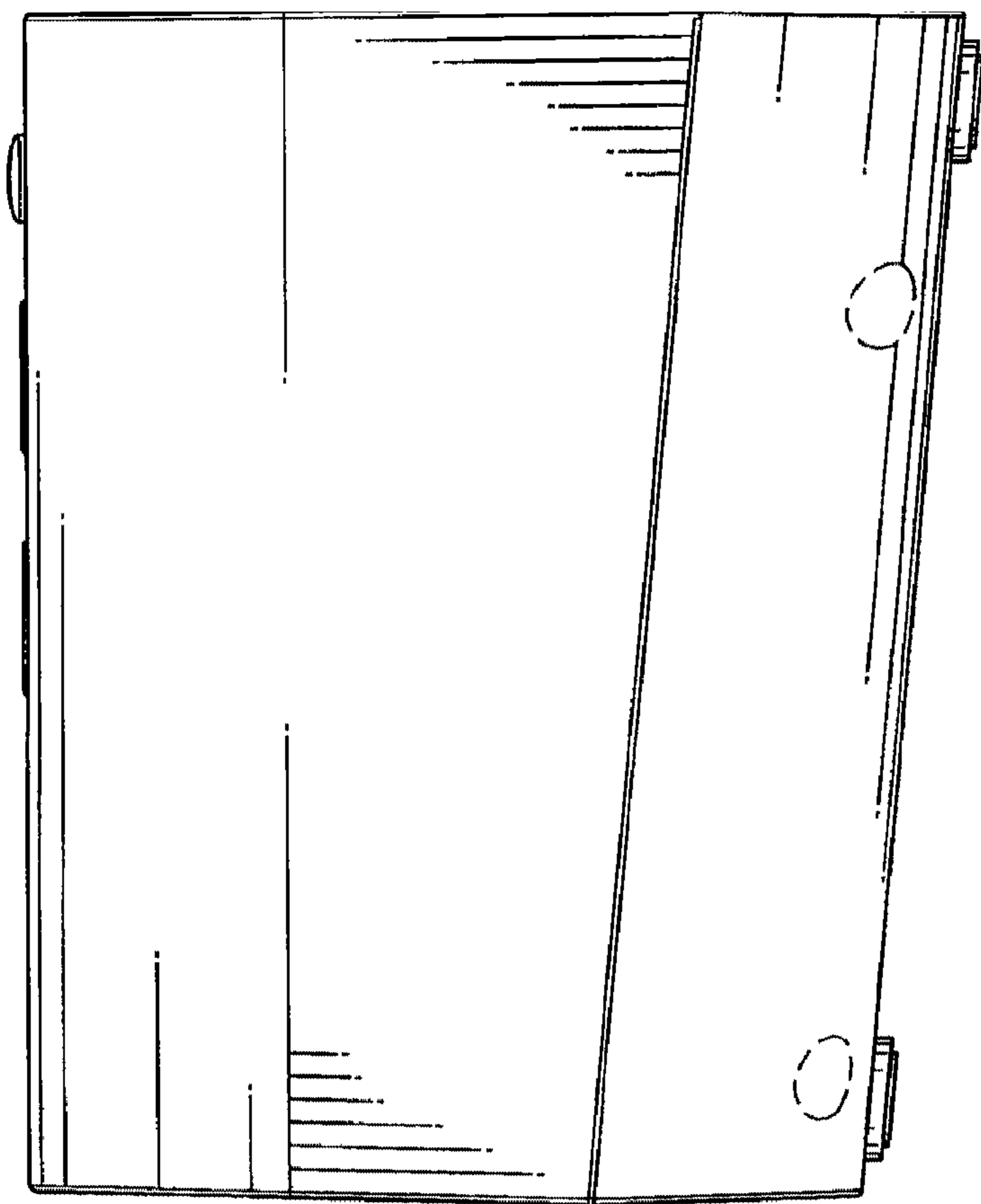


FIG. 2

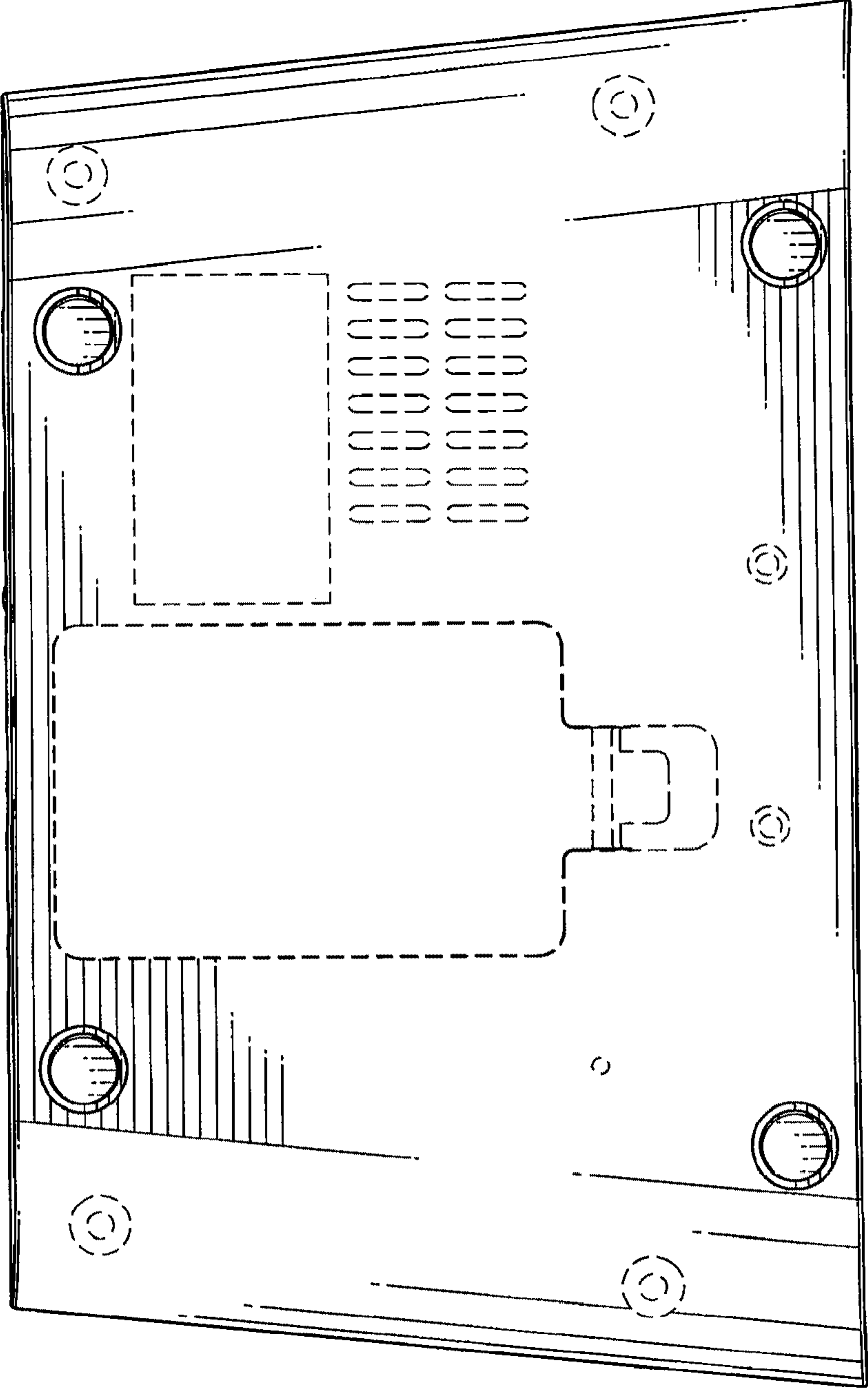


FIG.3

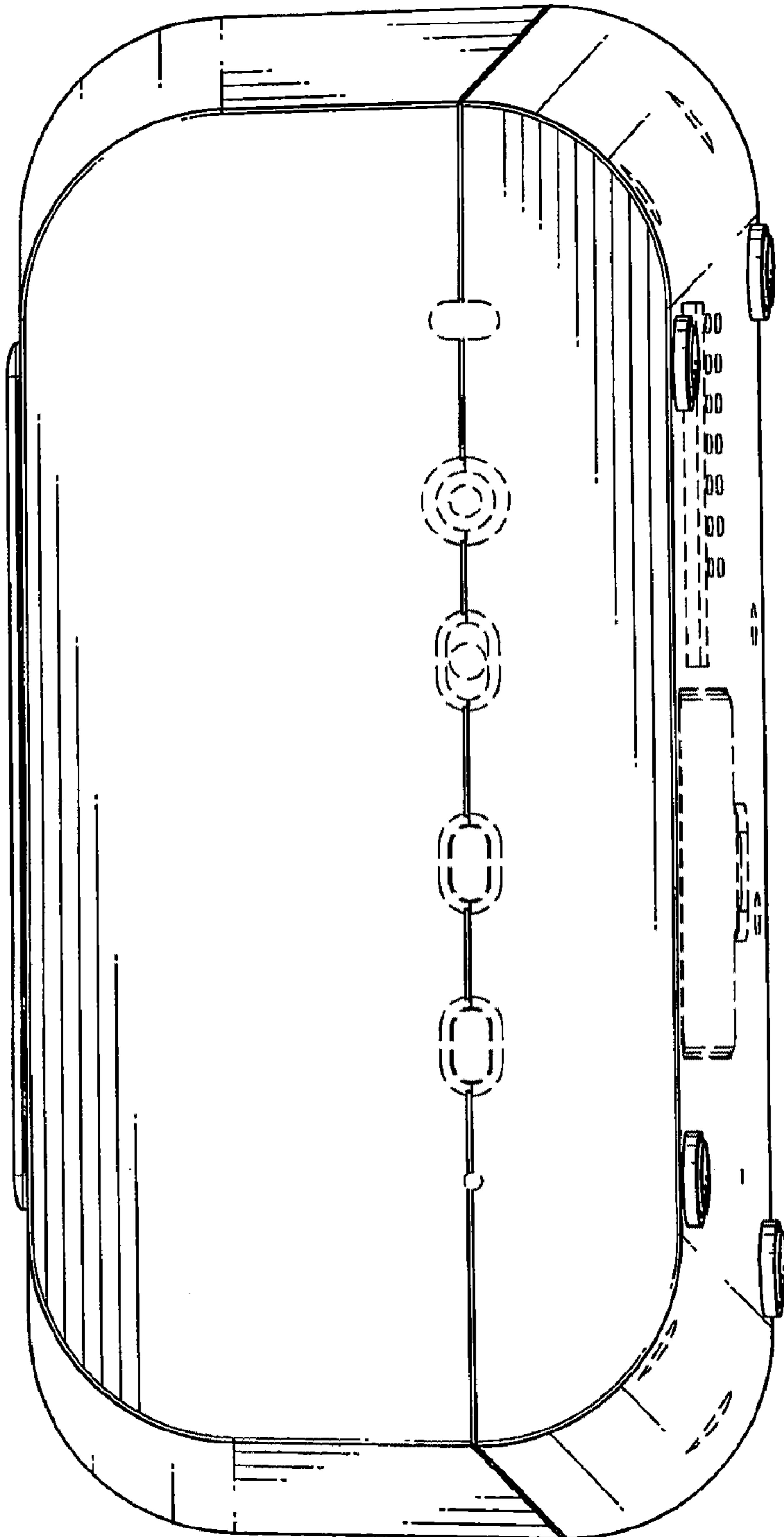


FIG. 4

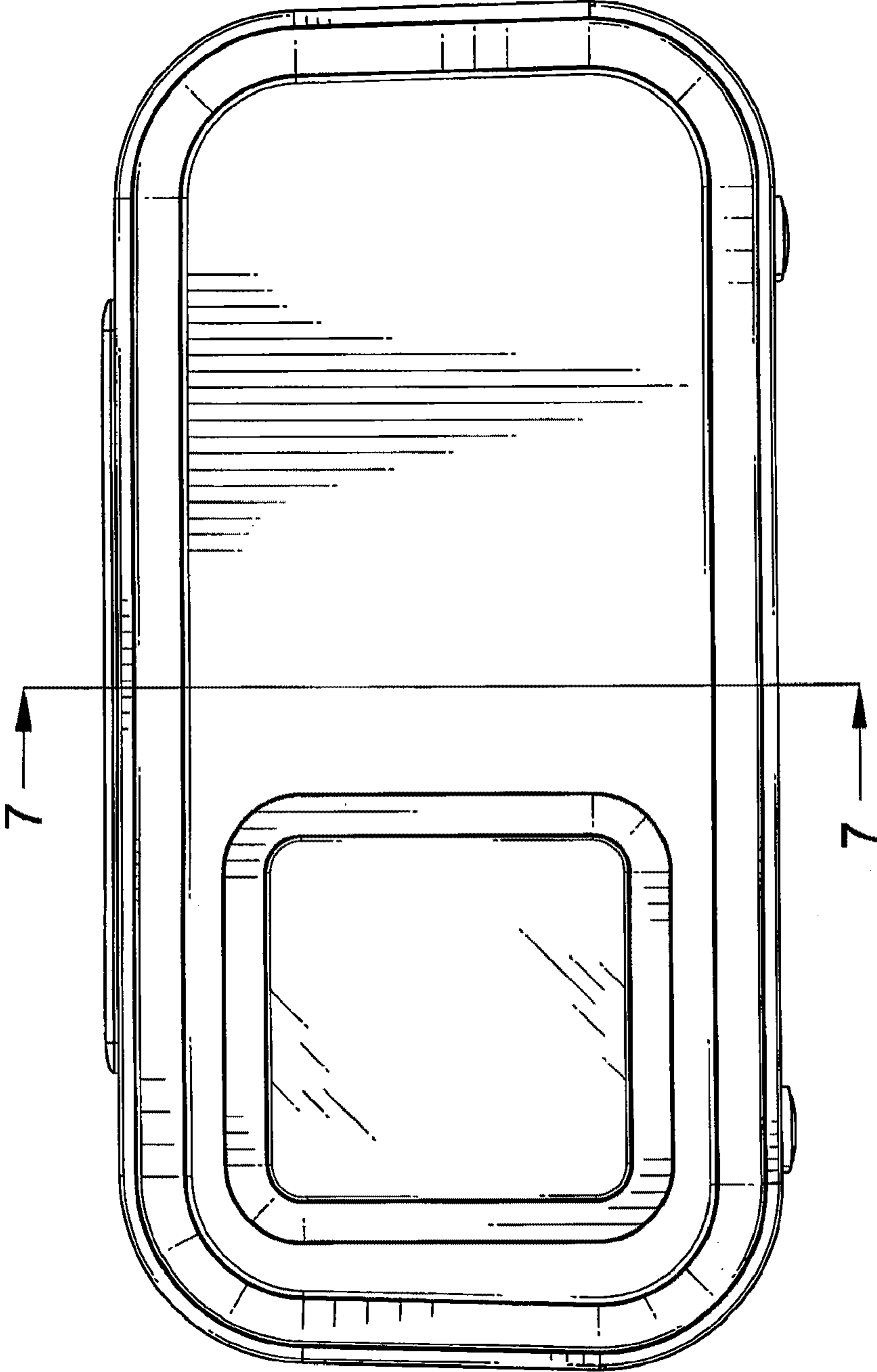


FIG. 5

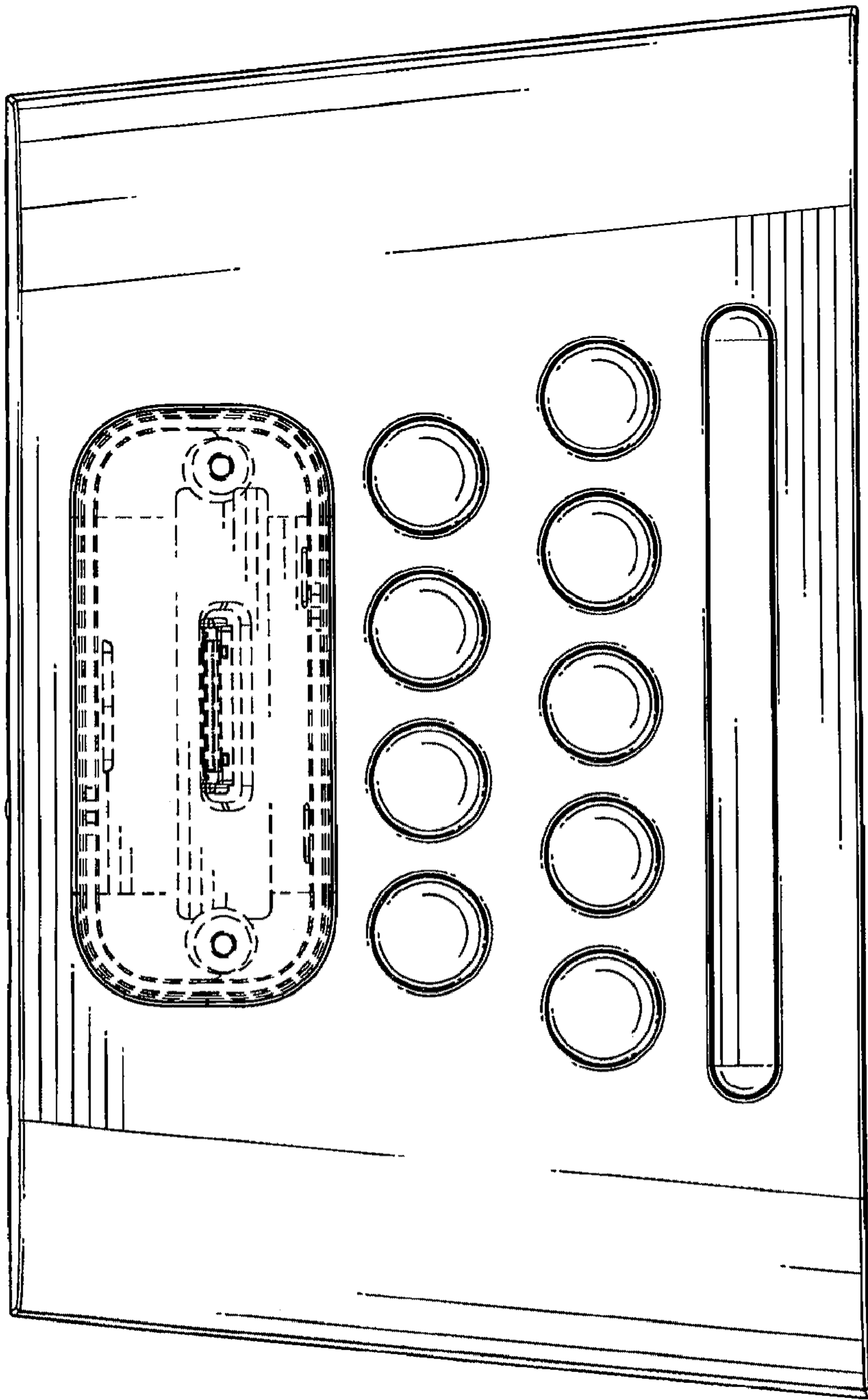


FIG.6

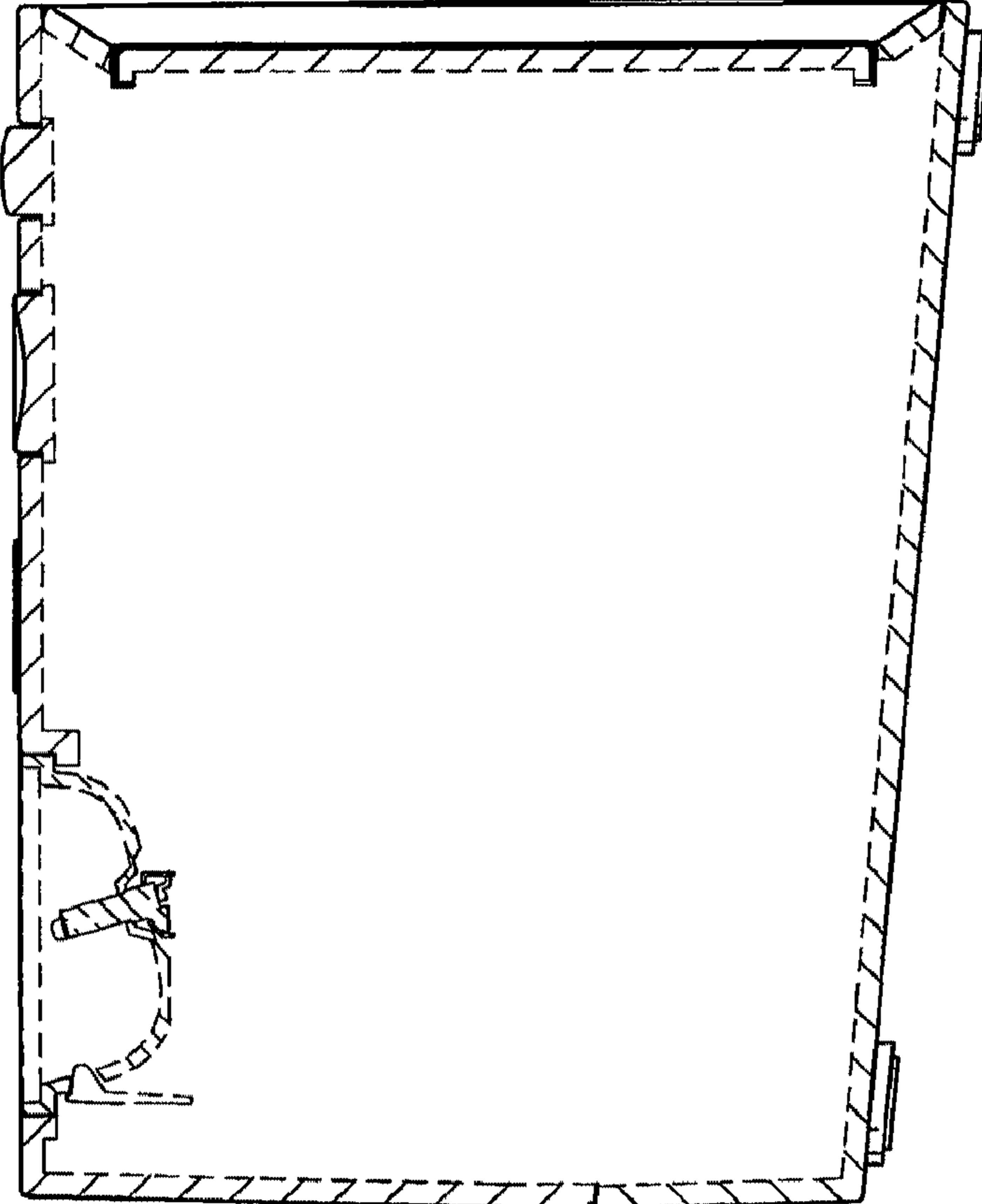


FIG. 7