



US00D605622S

(12) **United States Design Patent**
Jeon et al.

(10) **Patent No.:** **US D605,622 S**
(45) **Date of Patent:** **** Dec. 8, 2009**

(54) **COMMUNICATION DEVICE**

(75) Inventors: **Youngjun Jeon**, Seoul (KR); **Thomas D. Boucquey**, Chicago, IL (US); **Toshihiro Fujimura**, Chicago, IL (US); **Sung-Gul Hwang**, Seoul (KR); **Ja-Sung Koo**, Seoul (KR); **Soongul Kwon**, Seoul (KR); **Kio Lee**, Seoul (KR); **Claudio Santiago Ribeiro**, Evanston, IL (US)

(73) Assignee: **Motorola, Inc.**, Schaumburg, IL (US)

(**) Term: **14 Years**

(21) Appl. No.: **29/330,170**

(22) Filed: **Dec. 30, 2008**

(51) **LOC (9) Cl.** **14-03**

(52) **U.S. Cl.** **D14/138 AB**

(58) **Field of Classification Search** D14/138 AB,
D14/496, 345, 346, 203.3, 203.4, 203.7;
455/575.3

See application file for complete search history.

(56) **References Cited**

U.S. PATENT DOCUMENTS

D459,329 S * 6/2002 Suzuki et al. D14/138 AB

(Continued)

OTHER PUBLICATIONS

Motorola RAZR maxx V6 telephone, announced Jul. 2006, [online], [site visited Jun. 16, 2009]. Available from Internet ,<URL: http://www.gsmarena.com>.*

Motorola V3x telephone, announced 1st quarter 2005, [online], [site visited Jun. 16, 2009]. Available from Internet ,<URL: http://www.gsmarena.com>.*

amsung G400 Soul telephone, announced Mar. 2008, [online], [site visited Jun. 16, 2009]. Available from Internet ,<URL: http://www.gsmarena.com>.*

Motorola EM28 telephone, announced Aug. 2008, [online], [site visited Jun. 16, 2009]. Available from Internet ,<URL: http://www.gsmarena.com>.*

U.S. Appl. No. 29/330,169, filed Dec. 30, 2008, in the name of Youngjun Jeon, et al, entitled "Communication Device".

Primary Examiner—Jeffrey D Asch

(57) **CLAIM**

The ornamental design for a communication device, as shown.

DESCRIPTION

FIG. 1 is a perspective view of a first embodiment of an ornamental design for a communication device;

FIG. 2 is a front view of the first embodiment thereof;

FIG. 3 is a rear view of the first embodiment thereof;

FIG. 4 is a first side view of the first embodiment thereof;

FIG. 5 is a second side view of the first embodiment thereof;

FIG. 6 is a top view of the first embodiment thereof; and

FIG. 7 is a bottom view of the first embodiment thereof.

FIG. 8 is a perspective view of a second embodiment of an ornamental design for a communication device;

FIG. 9 is a front view of the second embodiment thereof;

FIG. 10 is a rear view of the second embodiment thereof;

FIG. 11 is a first side view of the second embodiment thereof;

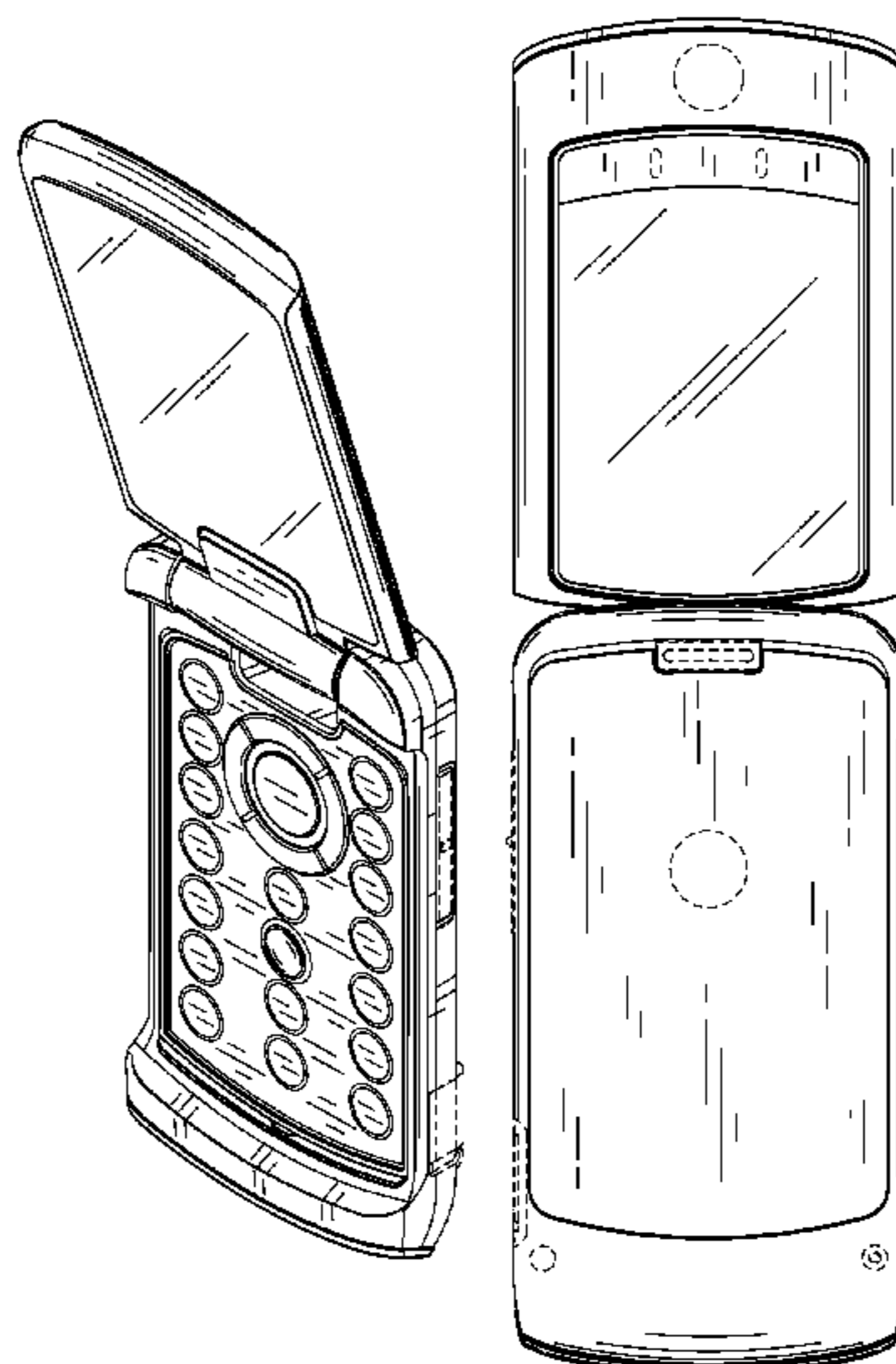
FIG. 12 is a second side view of the second embodiment thereof;

FIG. 13 is a top view of the second embodiment thereof; and,

FIG. 14 is a bottom view of the second embodiment thereof.

The broken lines shown in FIGS. 1–7 that are immediately adjacent to the shaded areas and define unshaded regions, represent the bounds of the first embodiment, while all other broken lines are directed to environment and are for illustrative purposes only; the broken lines form no part of the first embodiment.

1 Claim, 8 Drawing Sheets



US D605,622 S

Page 2

U.S. PATENT DOCUMENTS

D500,750 S *	1/2005	Arnholt et al.	D14/138 AB	D583,787 S *	12/2008	Kim et al.	D14/138 AB
D537,059 S *	2/2007	Hwang	D14/138 AB	D583,791 S *	12/2008	Minamide et al.	D14/138 AB
D554,094 S *	10/2007	Ribeiro et al.	D14/138 AB	D585,863 S	2/2009	Nilsen et al.	
D554,095 S *	10/2007	Cho et al.	D14/138 AB	D588,090 S *	3/2009	Nguyen et al.	D14/138 AB
D556,165 S *	11/2007	Kim et al.	D14/138 G	D588,091 S *	3/2009	Nguyen et al.	D14/138 AB
D563,347 S *	3/2008	Park et al.	D14/138 AB	D588,092 S *	3/2009	Nilsen et al.	D14/138 AB
D563,358 S *	3/2008	Baik et al.	D14/138 AB	D592,164 S *	5/2009	Han et al.	D14/138 AB
D563,933 S *	3/2008	Lee et al.	D14/138 AB	D593,051 S *	5/2009	Chung	D14/138 AB
D567,209 S *	4/2008	Moss et al.	D14/138 AB	D593,053 S *	5/2009	Kim et al.	D14/138 AB
D570,813 S *	6/2008	Song et al.	D14/138 AB	D593,064 S *	5/2009	Sutherland et al. ...	D14/138 AB
D575,758 S *	8/2008	Nilsen et al.	D14/138 AB	D593,523 S *	6/2009	Neumann et al.	D14/138 AB
D578,097 S *	10/2008	Lee et al.	D14/138 AB	D593,524 S *	6/2009	Neumann et al.	D14/138 AB
D580,386 S *	11/2008	Cho et al.	D14/138 AB	D593,981 S *	6/2009	Boucquey et al.	D14/138 AB
				D593,985 S *	6/2009	Park et al.	D14/138 AB

* cited by examiner

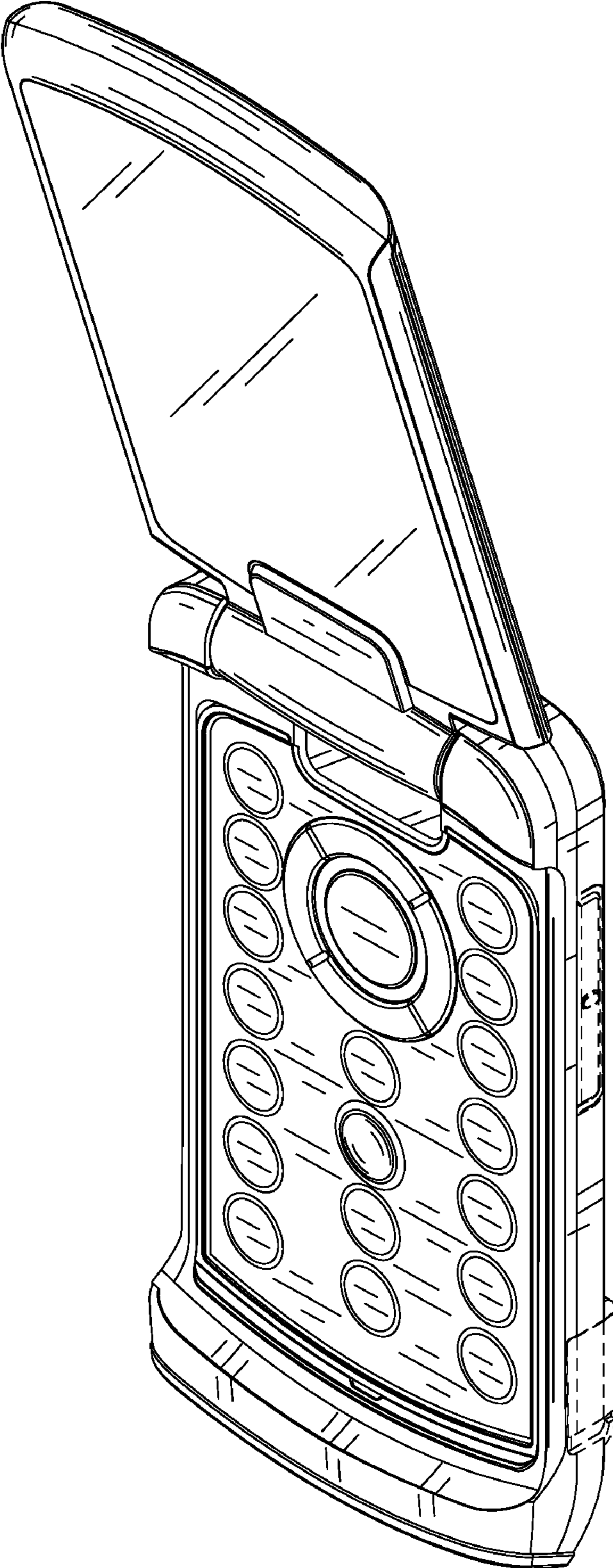


FIG. 1

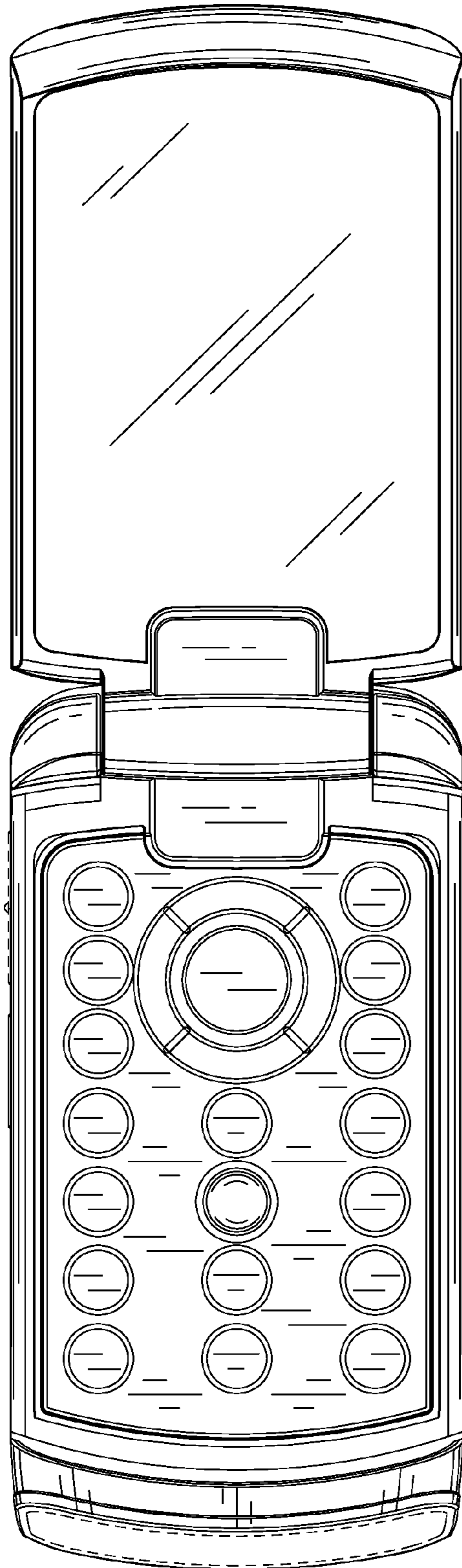


FIG. 2

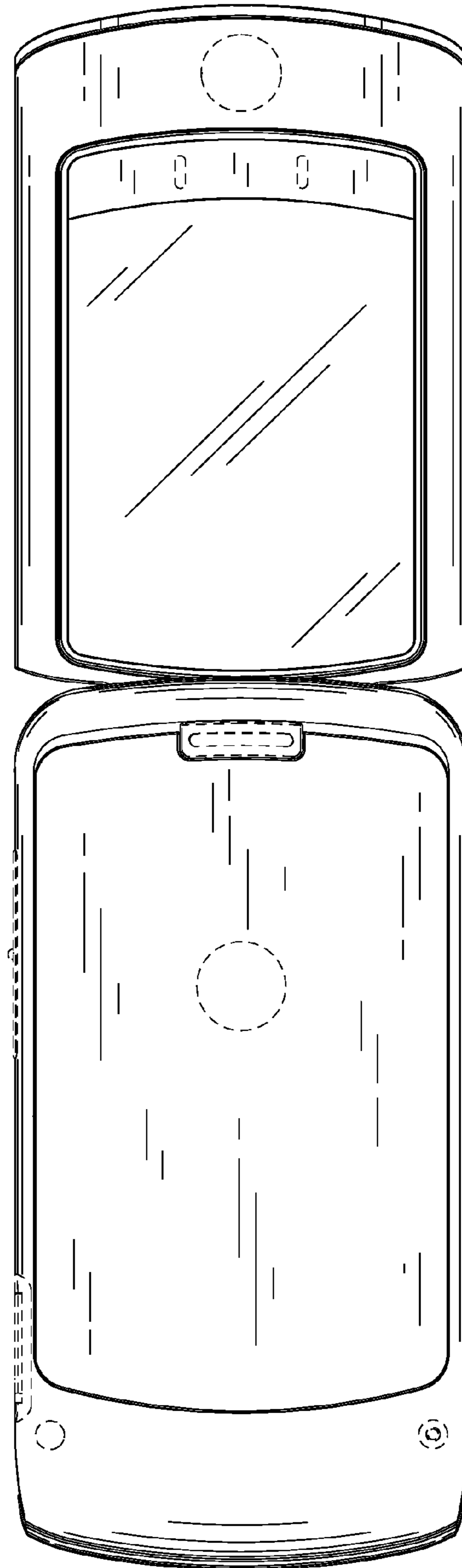


FIG. 3

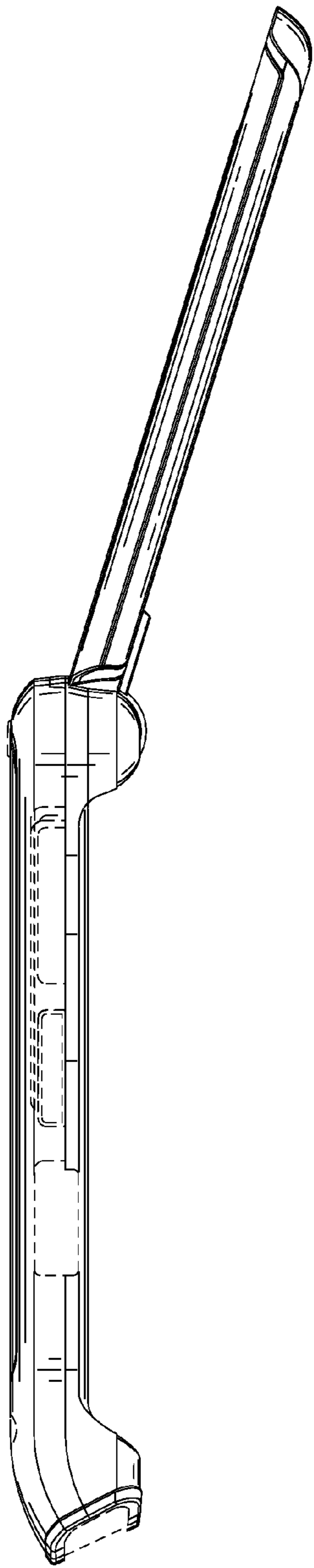


FIG. 4

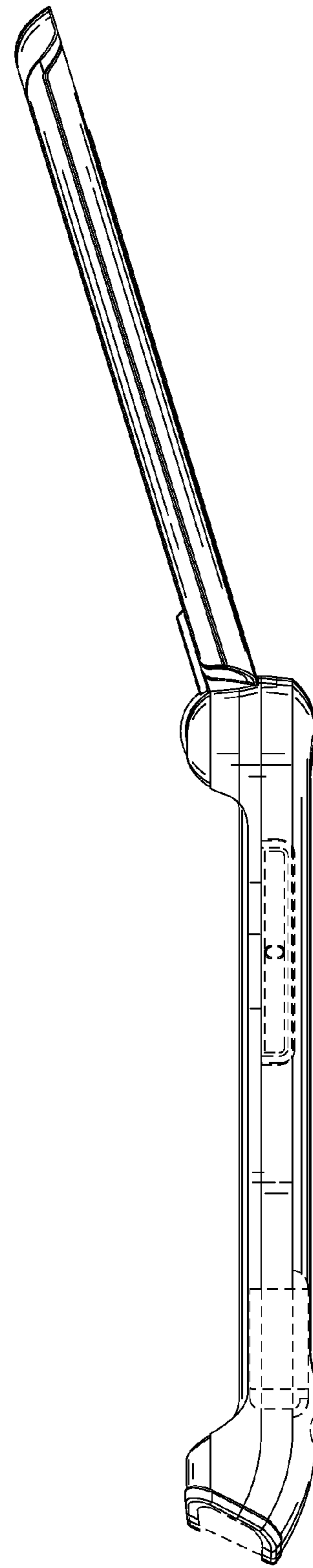


FIG. 5

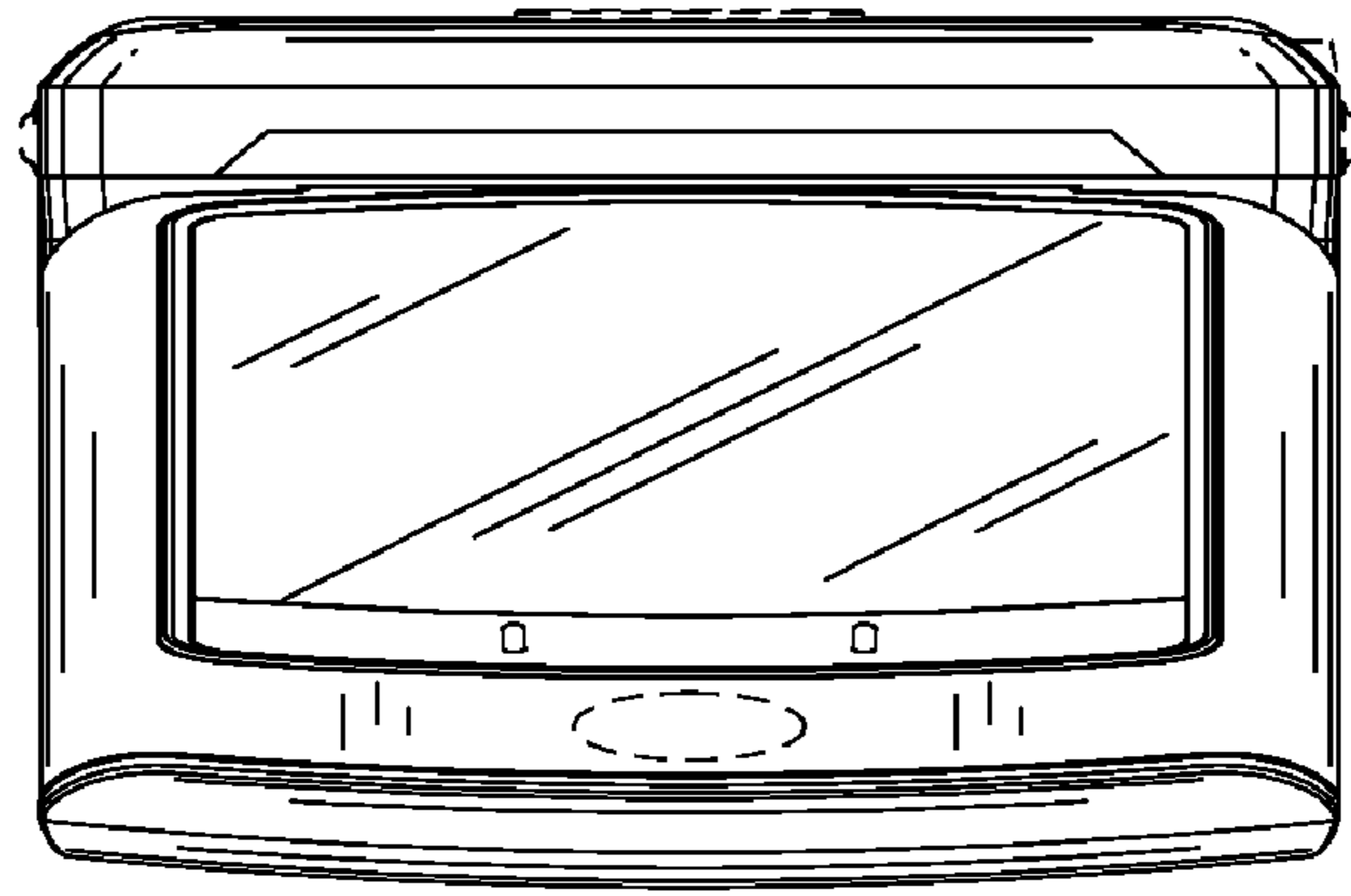


FIG. 6

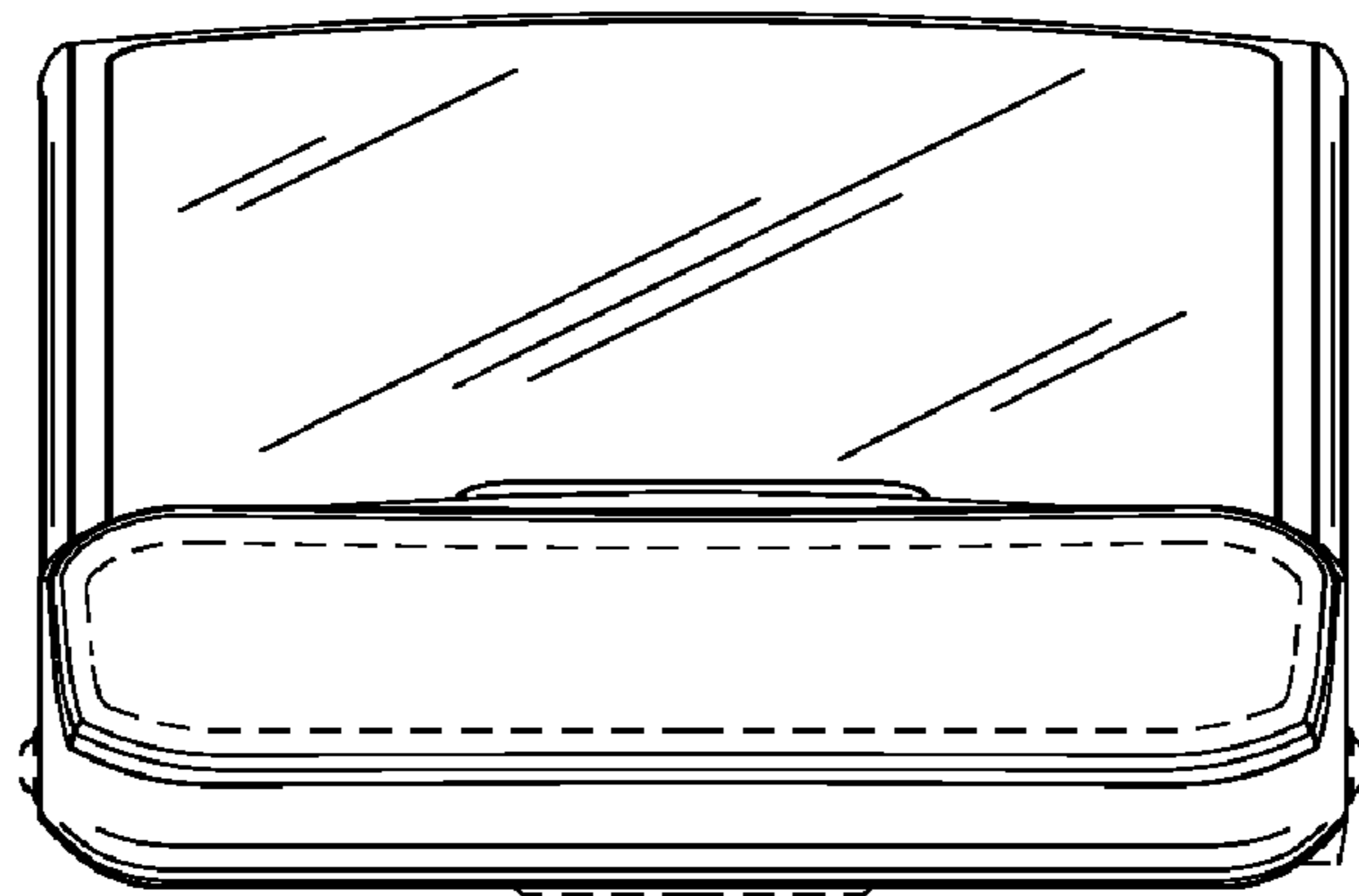


FIG. 7

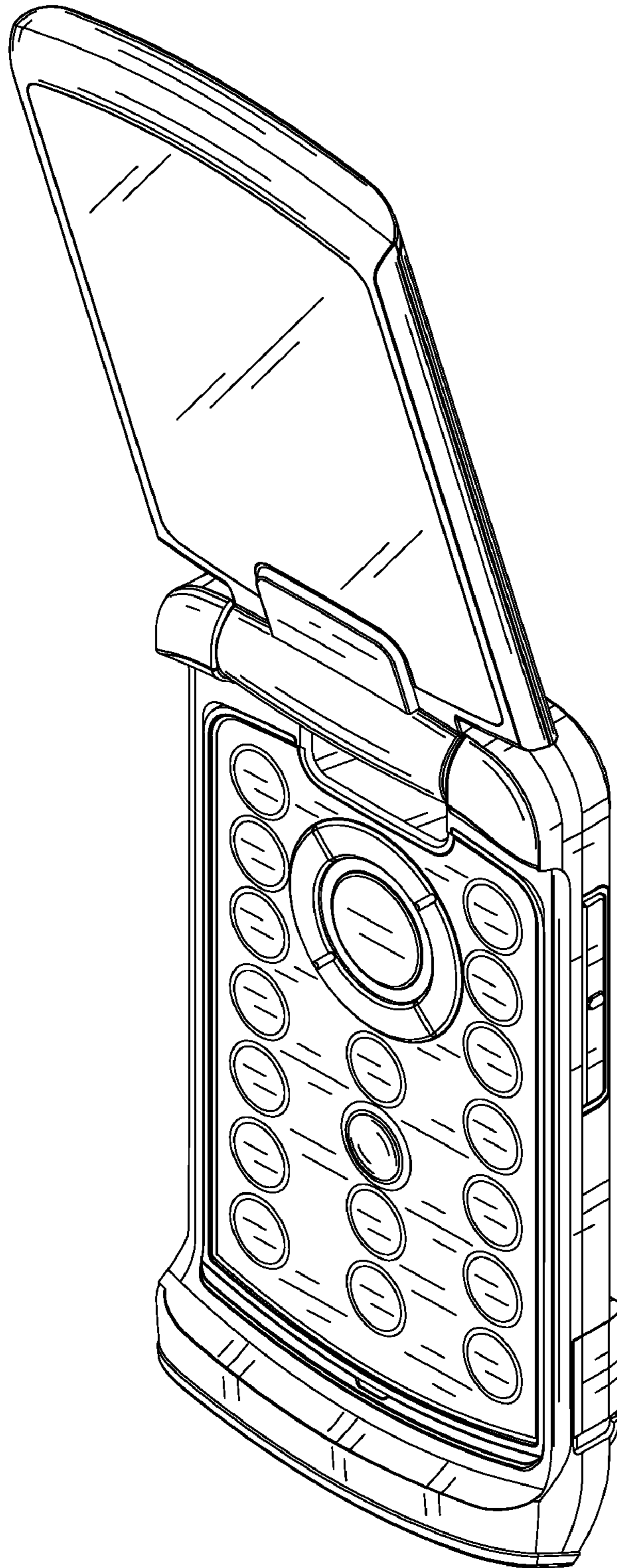


FIG. 8

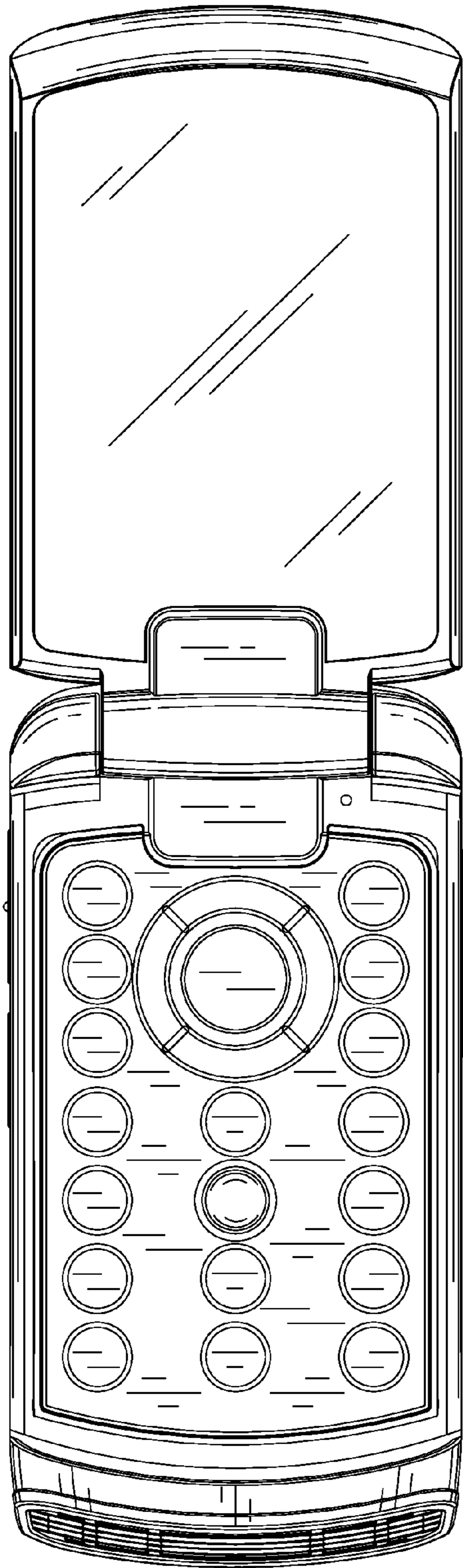


FIG. 9

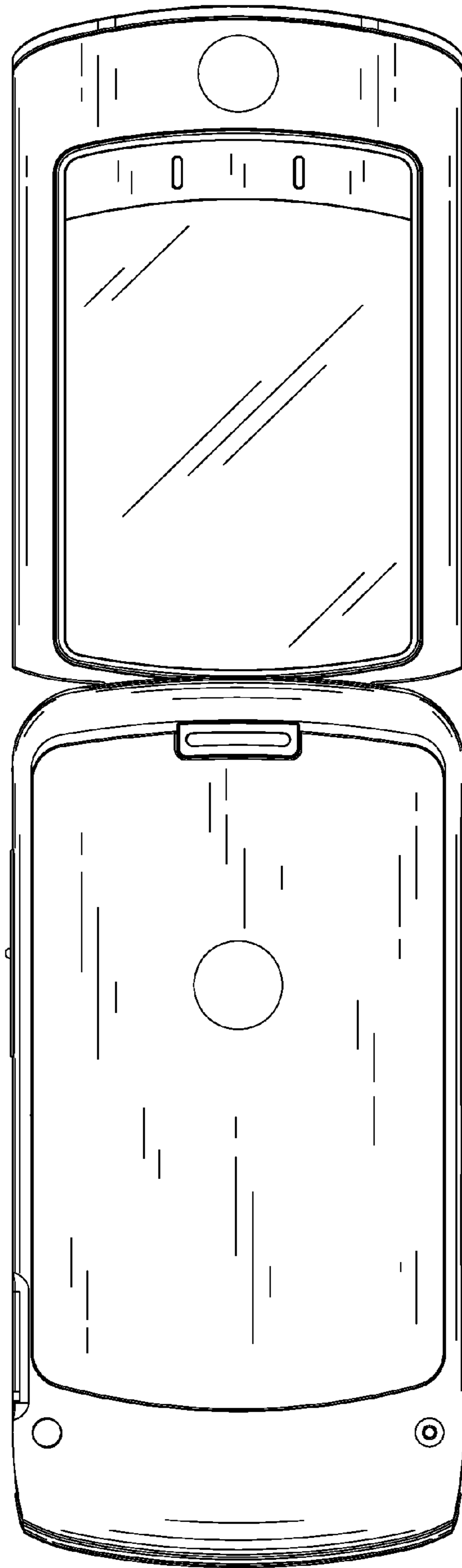


FIG. 10

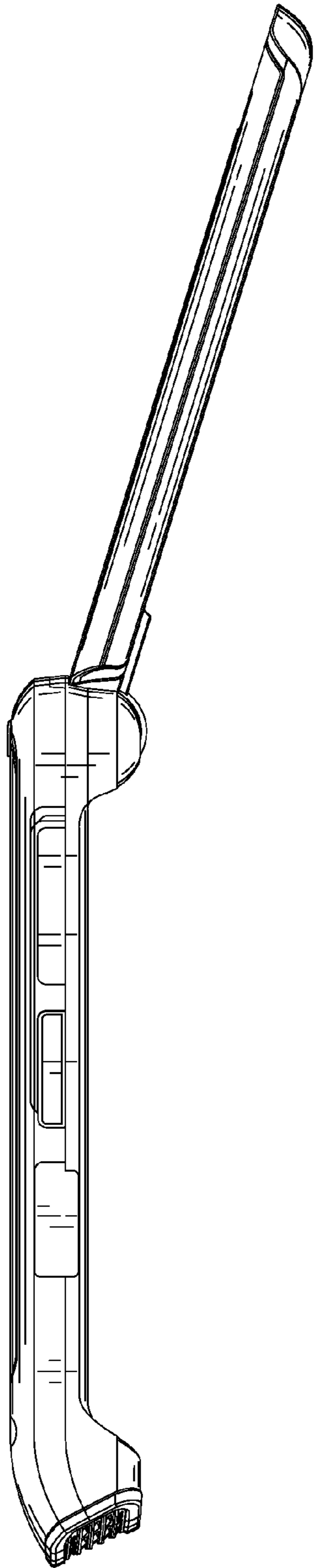


FIG. 11

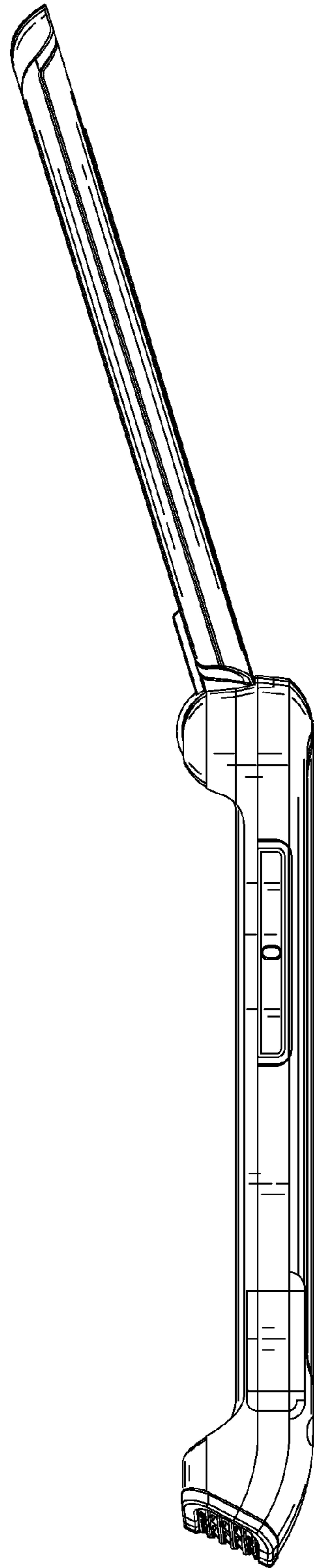


FIG. 12

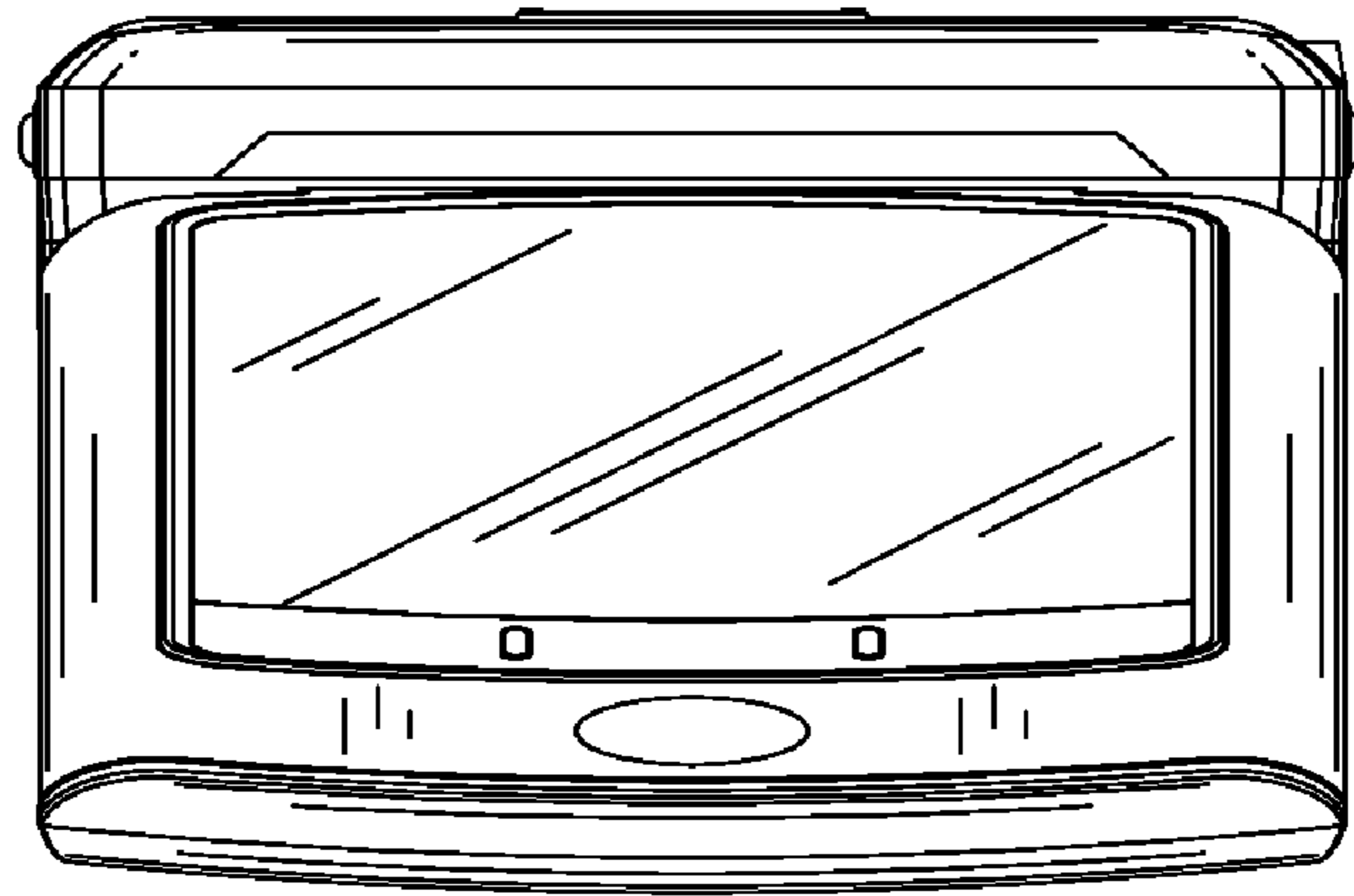


FIG. 13

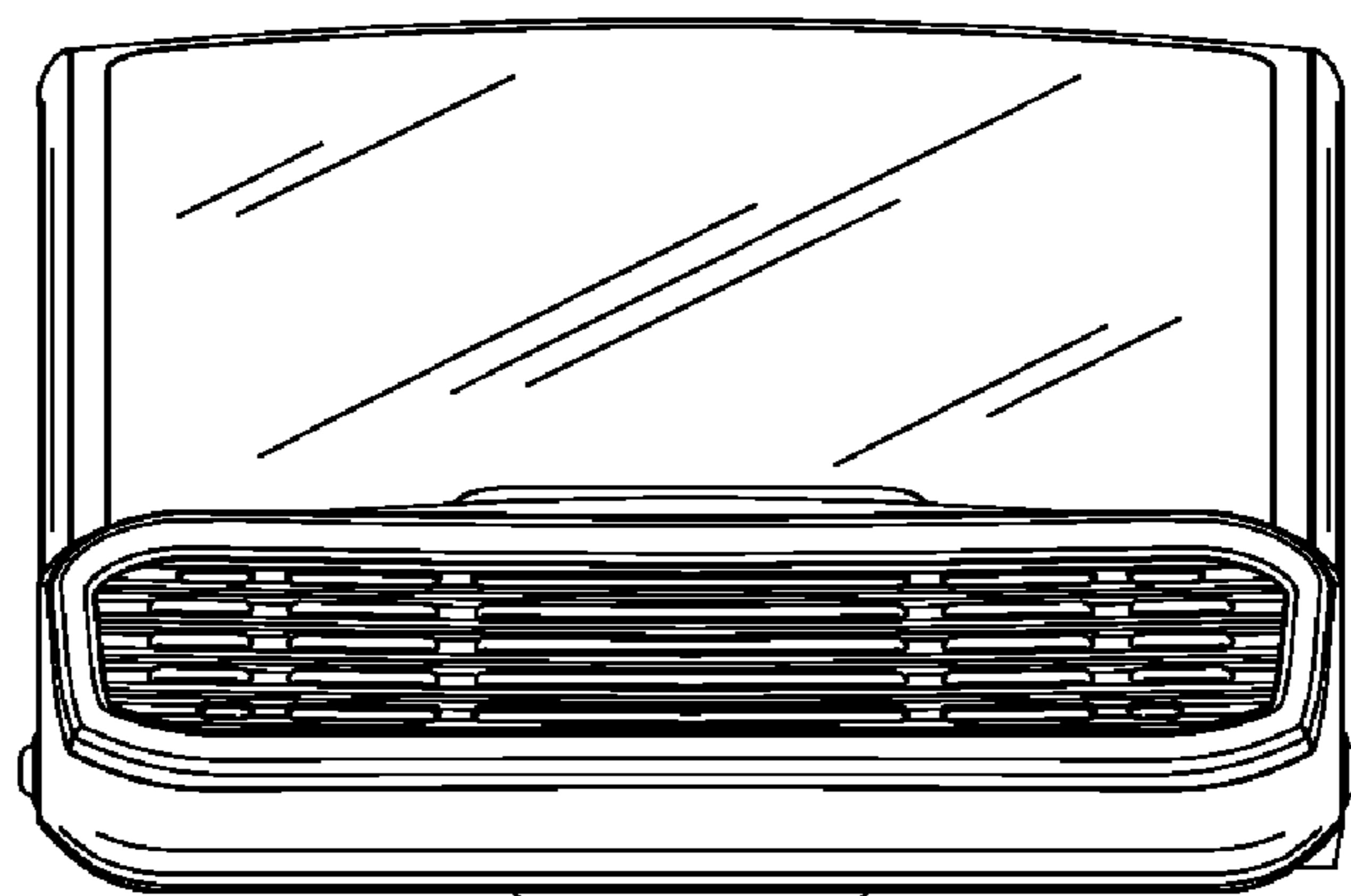


FIG. 14