



US00D605621S

(12) **United States Design Patent**
Kim et al.

(10) **Patent No.:** **US D605,621 S**
(45) **Date of Patent:** **** Dec. 8, 2009**

(54) **MOBILE PHONE**

(75) Inventors: **Tae-Joong Kim**, Goyang-si (KR);
Min-Hyouk Lee, Seoul (KR);
Seog-Guen Kim, Seoul (KR)

(73) Assignee: **Samsung Electronics Co., Ltd.**,
Suwon-Si (KR)

(**) Term: **14 Years**

(21) Appl. No.: **29/328,919**

(22) Filed: **Dec. 4, 2008**

(30) **Foreign Application Priority Data**

Oct. 2, 2008 (KR) 30-2008-0042816

(51) **LOC (9) Cl.** **14-03**

(52) **U.S. Cl.** **D14/138 AD**

(58) **Field of Classification Search** D14/138 R,
D14/138 AD, 138 AC, 138 C, 138 G, 191,
D14/203.1-203.8, 496, 138 AA, 138 AB,
D14/247-248, 137, 147, 218, 341-347; D10/65,
D10/78, 104; D13/168; D18/7; 455/566,
455/575.1, 575.3

See application file for complete search history.

(56) **References Cited**

U.S. PATENT DOCUMENTS

D488,468 S *	4/2004	Hu	D14/341
D551,647 S *	9/2007	Kim et al.	D14/138 AD
D559,220 S *	1/2008	Lee et al.	D14/138 AD
D560,192 S *	1/2008	Lee et al.	D14/138 AD
D563,936 S *	3/2008	Kim et al.	D14/138 AD
D563,938 S *	3/2008	Kim et al.	D14/138 AD
D567,819 S *	4/2008	Devericks et al.	D14/496
7,411,579 B2 *	8/2008	Tsuji et al.	345/158
D577,354 S *	9/2008	Kim et al.	D14/138 AD
D578,985 S *	10/2008	Kim et al.	D14/138 AD
D579,898 S *	11/2008	Lee et al.	D14/138 G
D580,930 S *	11/2008	Chien et al.	D14/346

OTHER PUBLICATIONS

Eten glofish X500, announced Oct. 2006, [online], [retrieved on Feb. 20, 2007]. Retrieved from Internet ,<URL: http://www.gsmarena.com>.*

Samsung F700, announced Feb. 2007, [online], [retrieved on Feb. 8, 2007]. Retrieved from Internet ,<URL: http://www.gsmarena.com>.*

Samsung i900 Omnia, announced Jun. 2008, [online], [retrieved on Jun. 13, 2008]. Retrieved from Internet ,<URL: http://www.gsmarena.com>.*

Samsung M8910 Pixion12, announced Jun. 2009, [online], [retrieved on Jun. 12, 2009]. Retrieved from Internet ,<URL: http://www.gsmarena.com>.*

Primary Examiner—Jeffrey D Asch

Assistant Examiner—Bridget L Eland

(74) *Attorney, Agent, or Firm*—Staas & Halsey LLP

(57) **CLAIM**

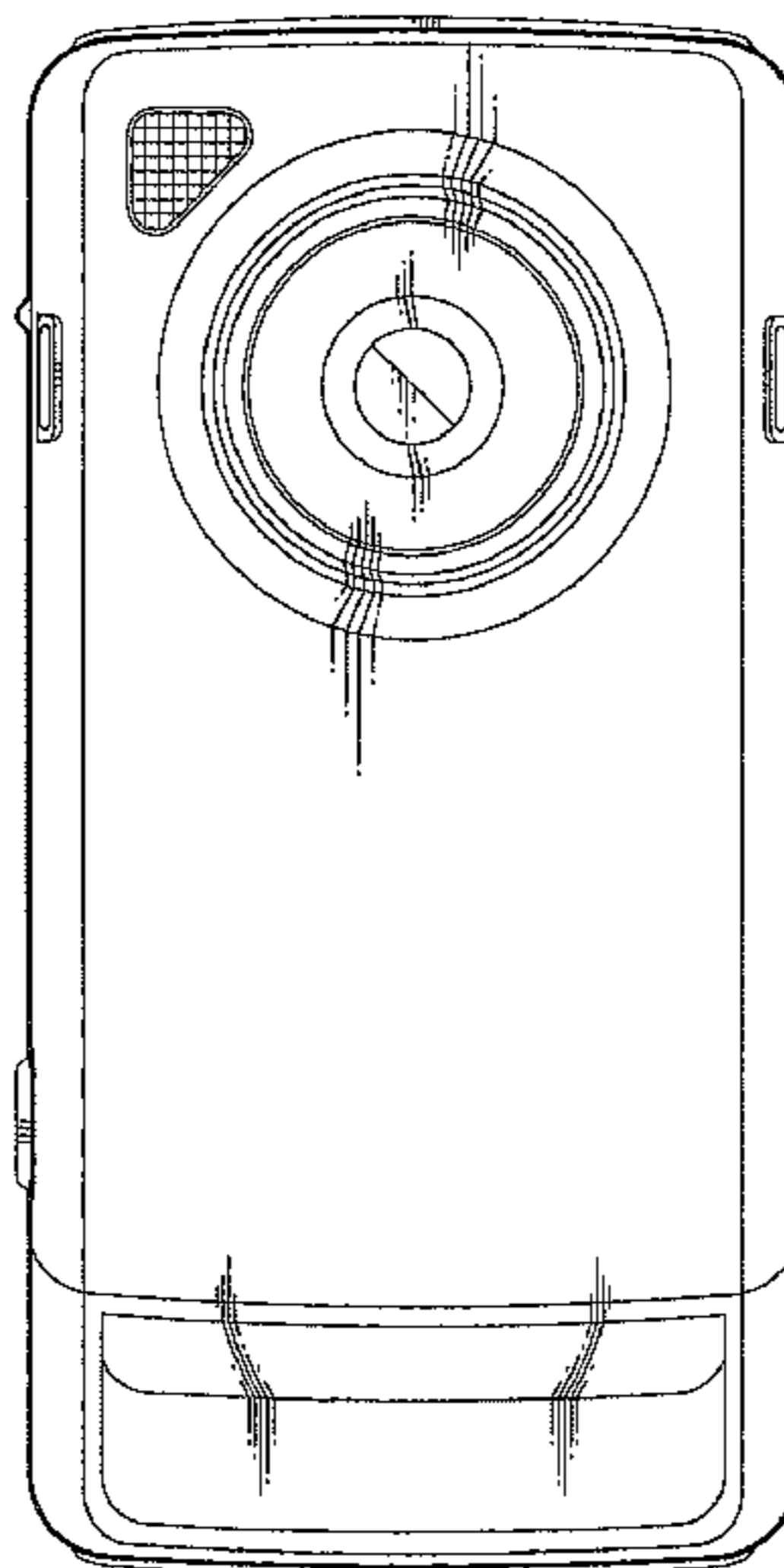
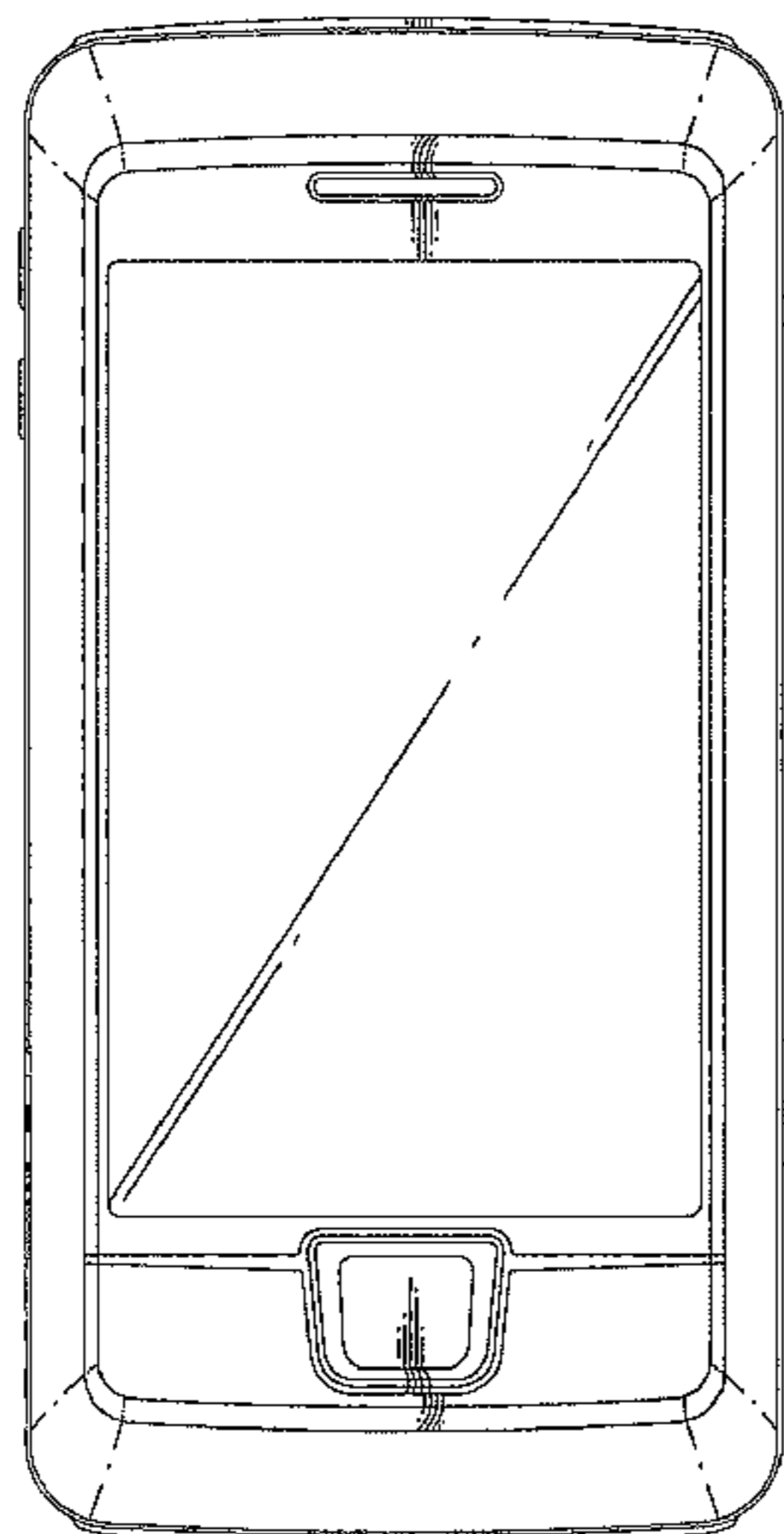
The ornamental design for a mobile phone, as shown and described.

DESCRIPTION

FIG. 1 is a front perspective view of a mobile phone;
FIG. 2 is a front view of the mobile phone of FIG. 1;
FIG. 3 is a rear view of the mobile phone of FIG. 1;
FIG. 4 is a left-side view of the mobile phone of FIG. 1;
FIG. 5 is a right-side view of the mobile phone of FIG. 1;
FIG. 6 is a top plan view of the mobile phone of FIG. 1;
FIG. 7 is a bottom plan view of the mobile phone of FIG. 1;
FIG. 8 is a front open view with cover slid to right of the mobile phone of FIG. 1;
FIG. 9 is a front open view of the mobile phone of FIG. 1;
FIG. 10 is an open bottom plan view of the mobile phone of FIG. 8; and,
FIG. 11 is an open left side view of the mobile phone of FIG. 9.

(Continued)

1 Claim, 8 Drawing Sheets



US D605,621 S

Page 2

U.S. PATENT DOCUMENTS

D583,346 S *	12/2008	Jung et al.	D14/138 AD	D590,802 S *	4/2009	Shin et al.	D14/138 AD
D584,272 S *	1/2009	Chung et al.	D14/138 G	D591,257 S *	4/2009	Shin et al.	D14/138 AD
D585,040 S *	1/2009	Kim et al.	D14/138 G	D593,984 S *	6/2009	Hirano	D14/138 AD
D589,021 S *	3/2009	Millora	D14/138 AD	2003/0125094 A1 *	7/2003	Hyun et al.	455/566
D589,487 S *	3/2009	Park et al.	D14/138 AD	2004/0192403 A1 *	9/2004	Lejman et al.	455/569.1
D590,793 S *	4/2009	Kim et al.	D14/138 AD	2005/0250530 A1 *	11/2005	Tanaka	455/550.1
D590,796 S *	4/2009	Kim et al.	D14/138 AD	2009/0117955 A1 *	5/2009	Lo	455/575.3

* cited by examiner

FIG. 1

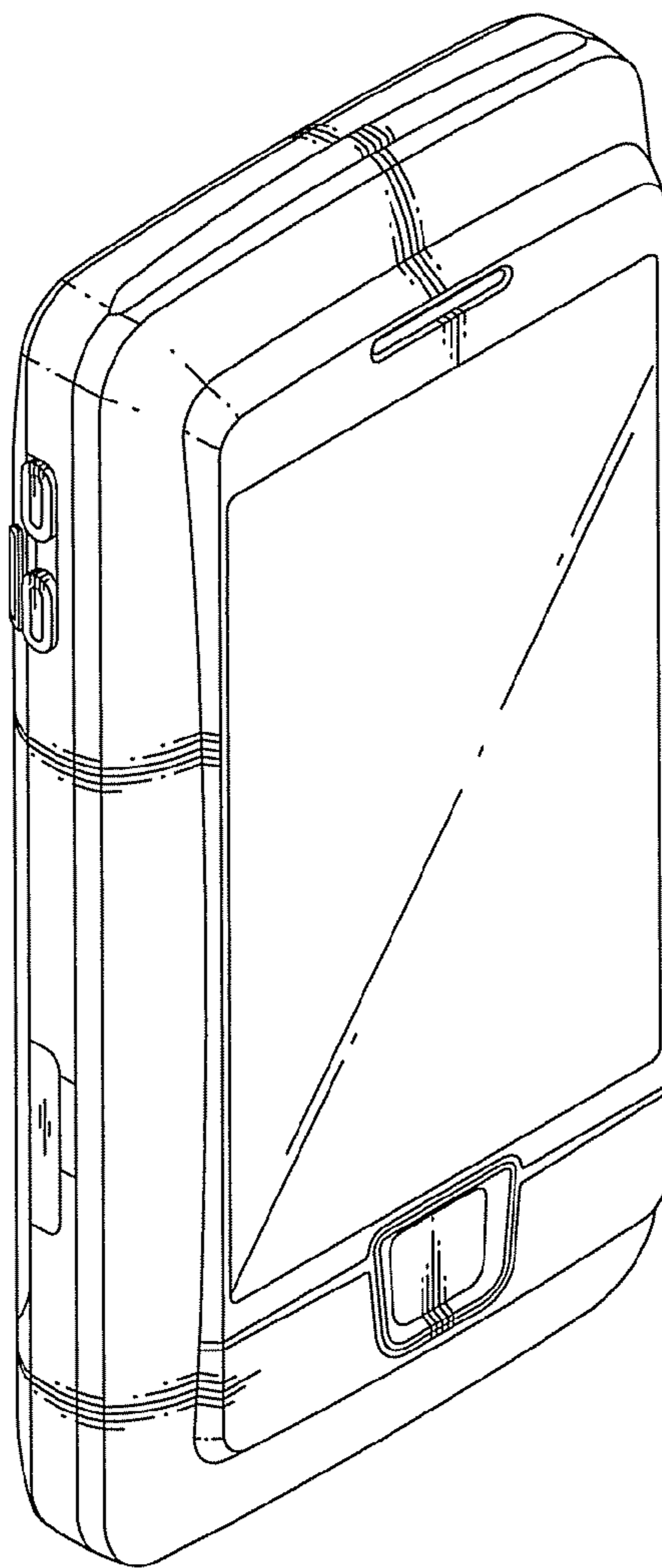


FIG. 2

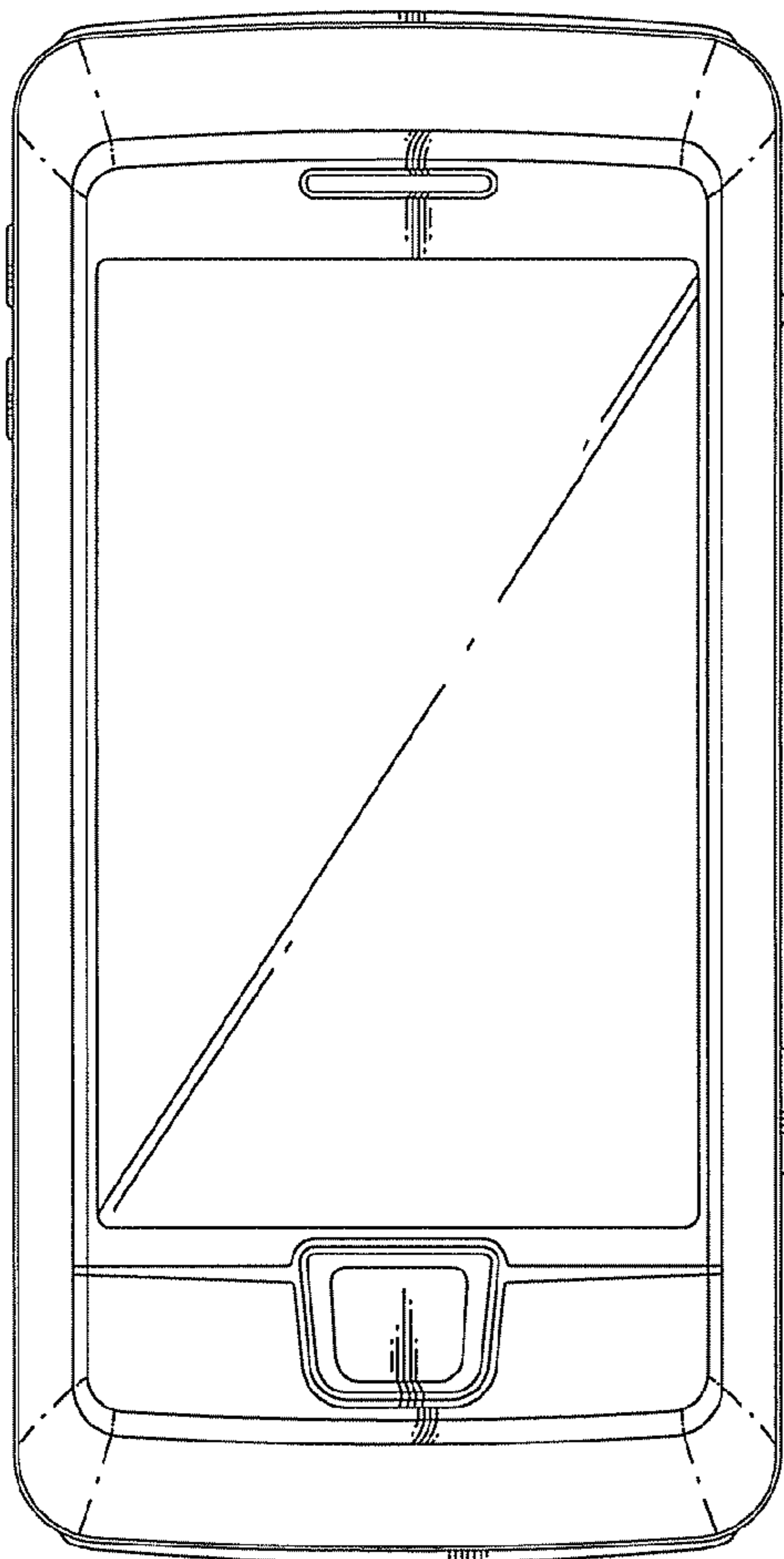


FIG. 3

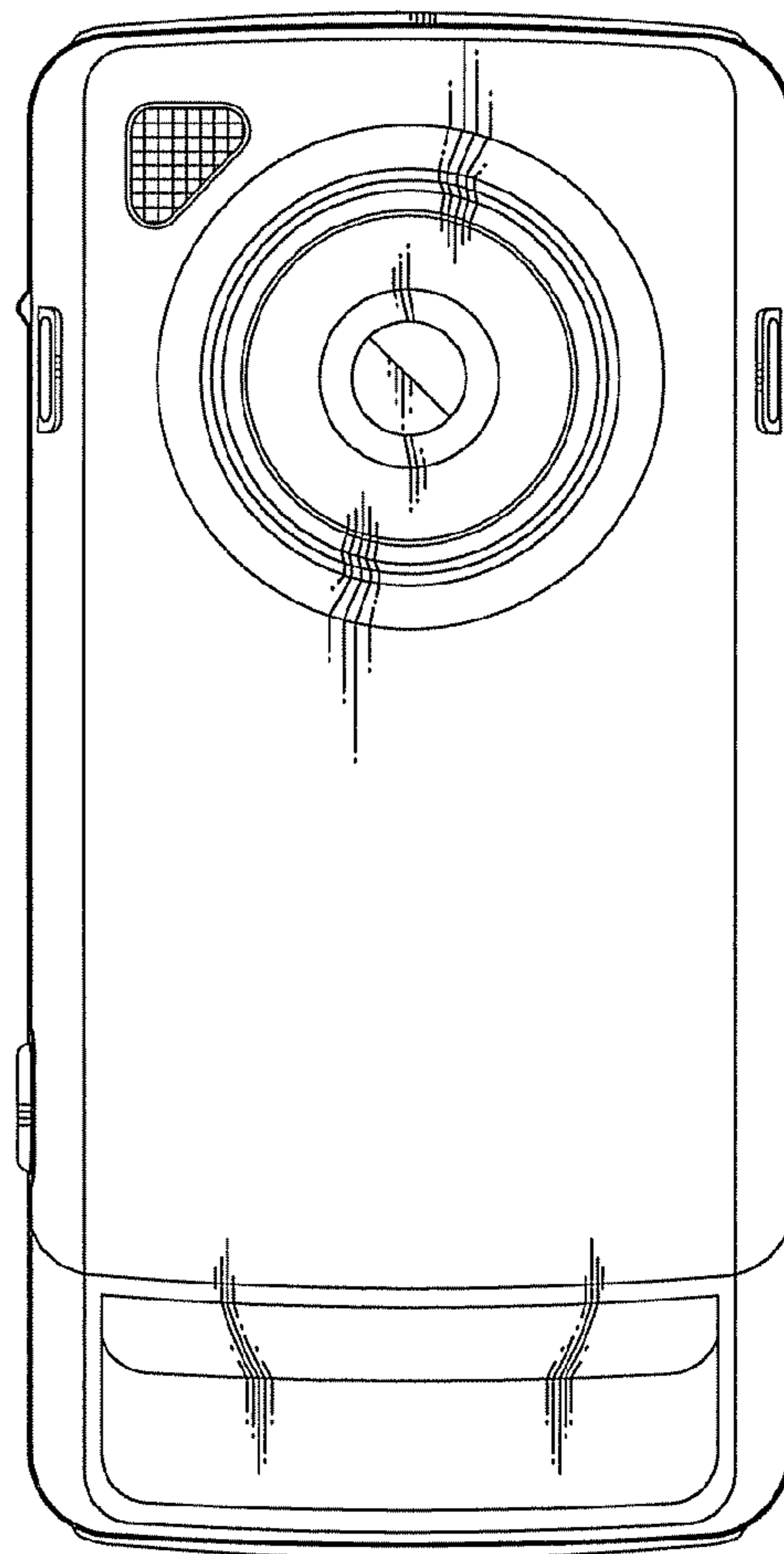


FIG. 4

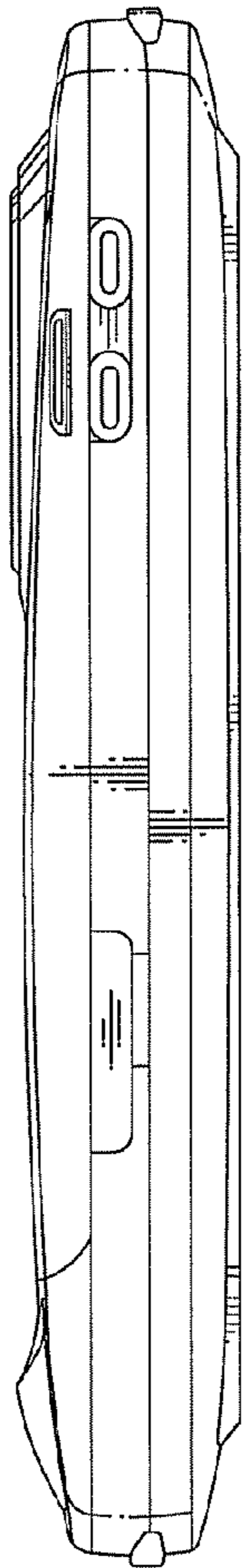


FIG. 5

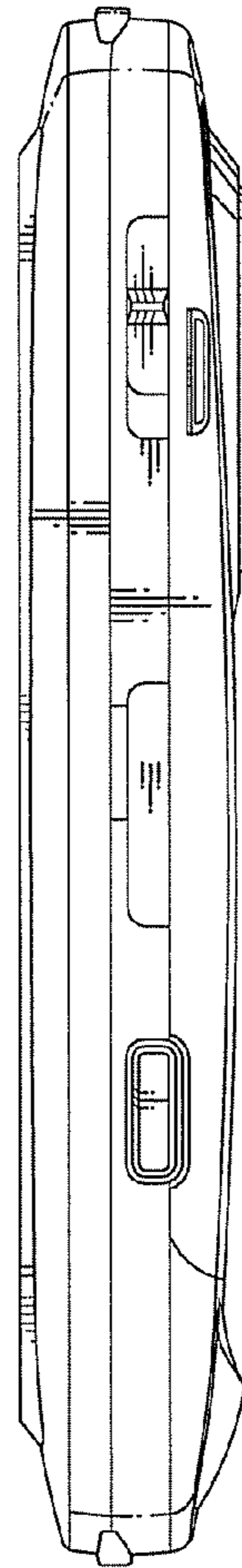


FIG. 6

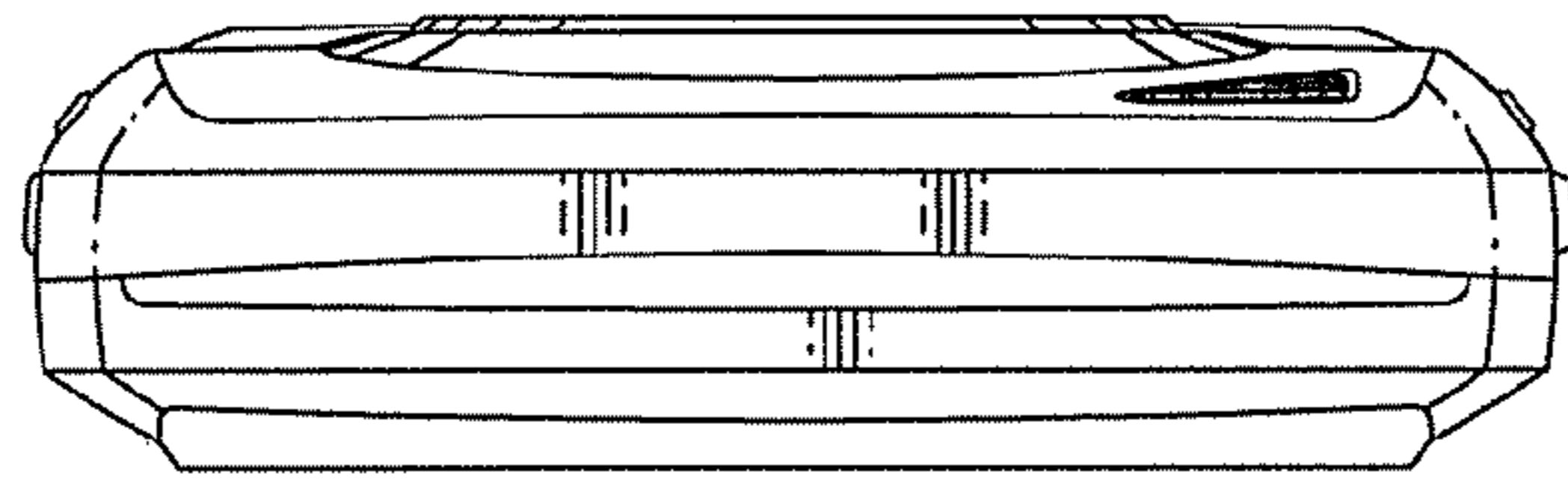


FIG. 7

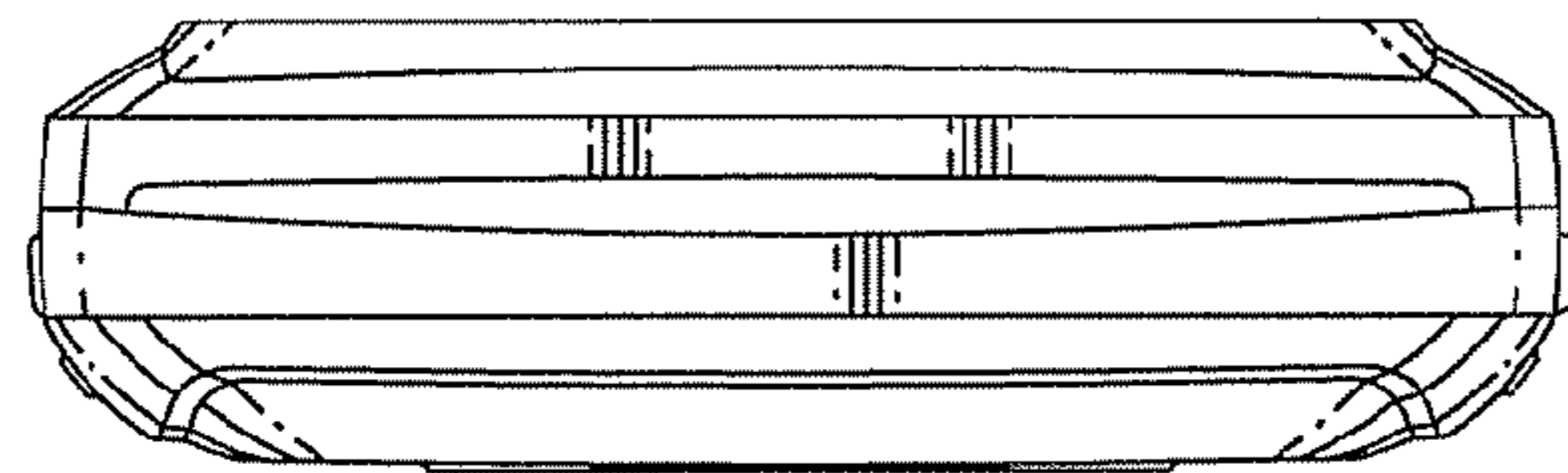


FIG. 8

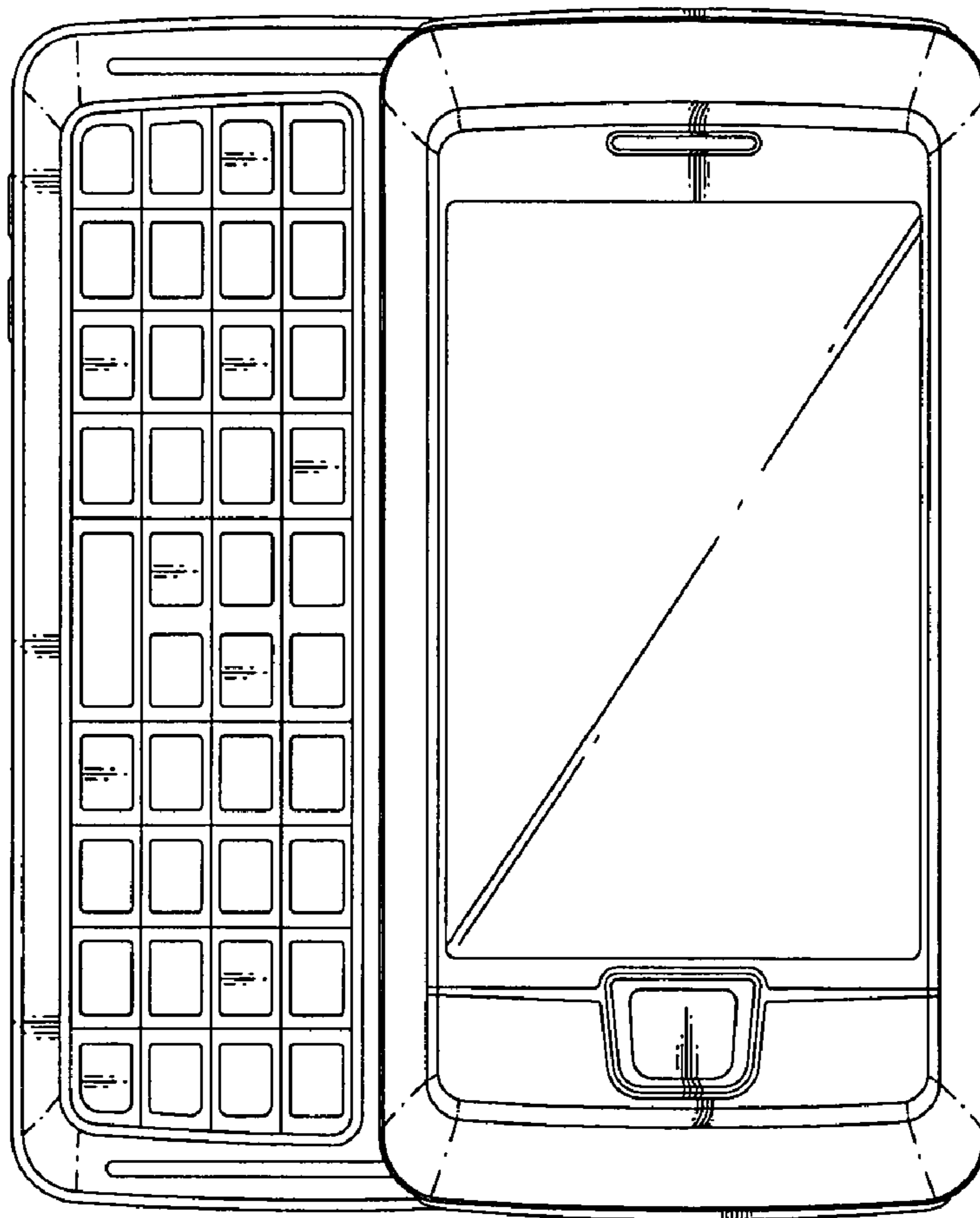


FIG. 9

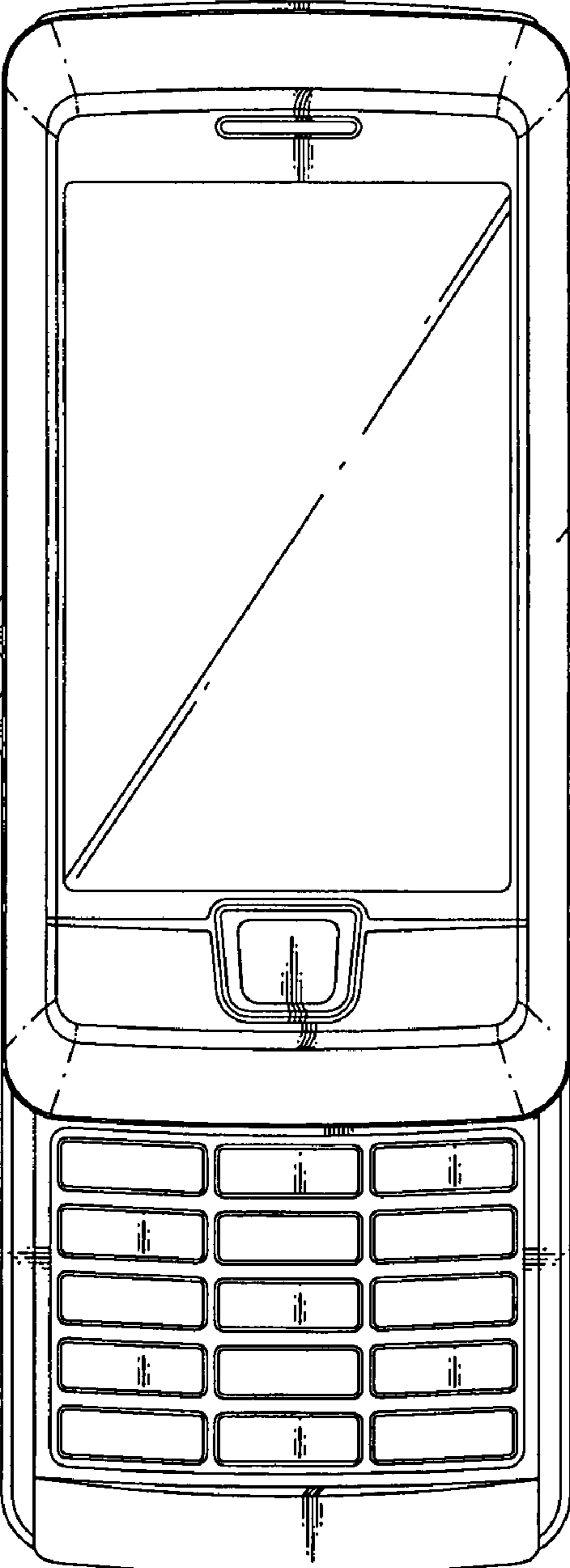


FIG. 10

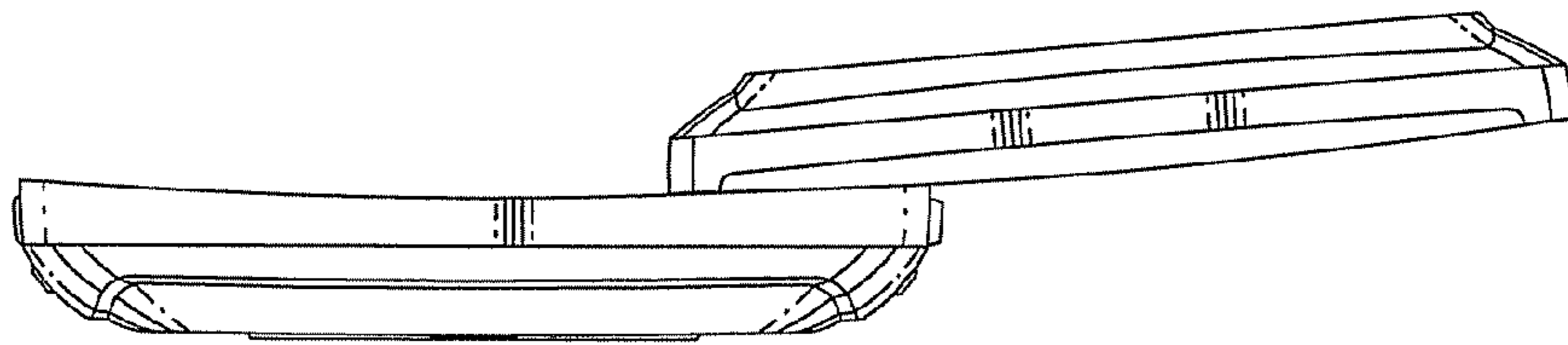


FIG. 11

