



US00D605618S

(12) **United States Design Patent**
Nuovo et al.

(10) **Patent No.:** **US D605,618 S**
(45) **Date of Patent:** **** Dec. 8, 2009**

(54) **HANDSET**

(75) Inventors: **Frank Nuovo**, Los Angeles, CA (US);
Jonathan Dry, Newbury Park, CA (US)

(73) Assignee: **Nokia Corporation**, Espoo (FI)

(**) Term: **14 Years**

(21) Appl. No.: **29/305,980**

(22) Filed: **Mar. 31, 2008**

(51) **LOC (9) Cl.** **14-03**

(52) **U.S. Cl.** **D14/138 AA**

(58) **Field of Classification Search** D14/137,
D14/138 R, 138 AA, 138 AB, 138 AD, 138 C,
D14/138 G, 143-144, 147-148, 156, 218,
D14/247-248, 341-347, 390, 399, 455-456,
D14/496; D16/208; D21/329, 331, 333,
D21/517; 348/14.01-14.02; 361/814; 379/433.01-433.13;
455/90.3, 556.1-556.2, 566, 575.1, 575.3,
455/575.4; D13/164, 168; 439/165; 343/702;
345/167, 168, 169

See application file for complete search history.

(56) **References Cited**

U.S. PATENT DOCUMENTS

D465,774 S	*	11/2002	Nuovo	D14/138 AA
D499,709 S	*	12/2004	Nuovo et al.	D14/138 AA
D525,229 S	*	7/2006	Friesen et al.	D14/138 AA
D538,770 S	*	3/2007	Lyles	D14/138 AA
D541,246 S	*	4/2007	Kim et al.	D14/138 AA
D542,259 S	*	5/2007	Cho et al.	D14/138 AA
D543,530 S	*	5/2007	Ahn et al.	D14/138 AA
D556,727 S	*	12/2007	Cha et al.	D14/138 AA
D562,297 S	*	2/2008	Kim et al.	D14/138 AA
D568,849 S		5/2008	Nuovo		
D573,570 S	*	7/2008	Park et al.	D14/138 AA
D578,502 S	*	10/2008	Kim et al.	D14/138 AA
D585,414 S	*	1/2009	Kim et al.	D14/138 AA
2004/0096054 A1	*	5/2004	Nuovo	379/433.01

FOREIGN PATENT DOCUMENTS

WO	DM/068212	*	10/2006
WO	DM/069695	*	12/2007
WO	DM/071193	*	9/2008

OTHER PUBLICATIONS

Vertu Ascent Ti, announced Jul. 2007, <URL:http://www.gsmarena.com/vertu_ascent_ti-pictures-2752.php>, retrieved from internet Aug. 8, 2009.*

Vertu Constellation, announced Oct. 2006, <URL:http://www.gsmarena.com/vertu_constellation-pictures-1766.php>, retrieved from internet Aug. 8, 2009.*

Vertu Signature S, announced 2007, <URL:http://www.gsmarena.com/vertu_signature_s-2753.php>, retrieved from internet Aug. 14, 2009, <URL:http://www.gsmarena.com/vertu_signature_s-pictures-2753.php>, retrieved from internet Aug. 14, 2009.*

Vertu's Signature S Design is real, hits FCC, posted Sep. 12, 2008, <URL:http://www.engadgetmobile.com/2008/09/12/vertu-3g-signature-is-real-hits-fcc/>, retrieved from internet Aug. 14, 2009.*

Vertu Signature S Design Specification, announced Sep. 15, 2008, <URL:http://www.gsmprofile.com/phone/vertu/vertu_signature_s_design.php>, retrieved from internet Aug. 14, 2009.*

Vertu Signature, 1 color sheet of photographs, disclosed on or about 2006.

* cited by examiner

Primary Examiner—Jeffrey D Asch

Assistant Examiner—Carla Jobe Wright

(74) *Attorney, Agent, or Firm*—Banner & Witcoff, Ltd.

(57) **CLAIM**

The ornamental design for a handset, as shown and described.

DESCRIPTION

FIG. 1 is a front perspective view of a handset showing our new design;

FIG. 2 is a rear perspective thereof;

FIG. 3 is a front view thereof;

FIG. 4 is a right side view thereof;

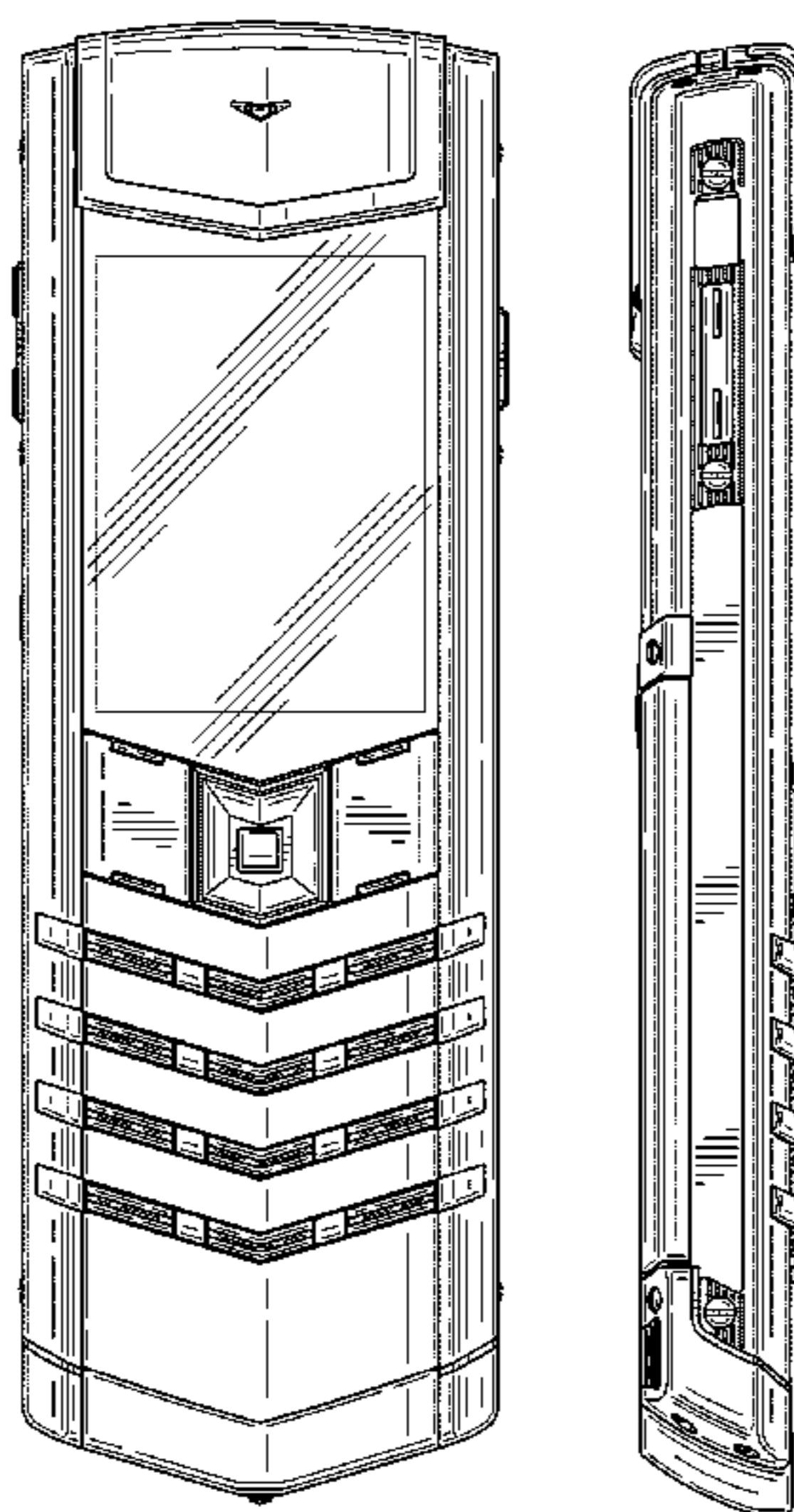
FIG. 5 is a left side view thereof;

FIG. 6 is a top view thereof;

FIG. 7 is a bottom view thereof; and,

FIG. 8 is a rear view thereof.

1 Claim, 6 Drawing Sheets



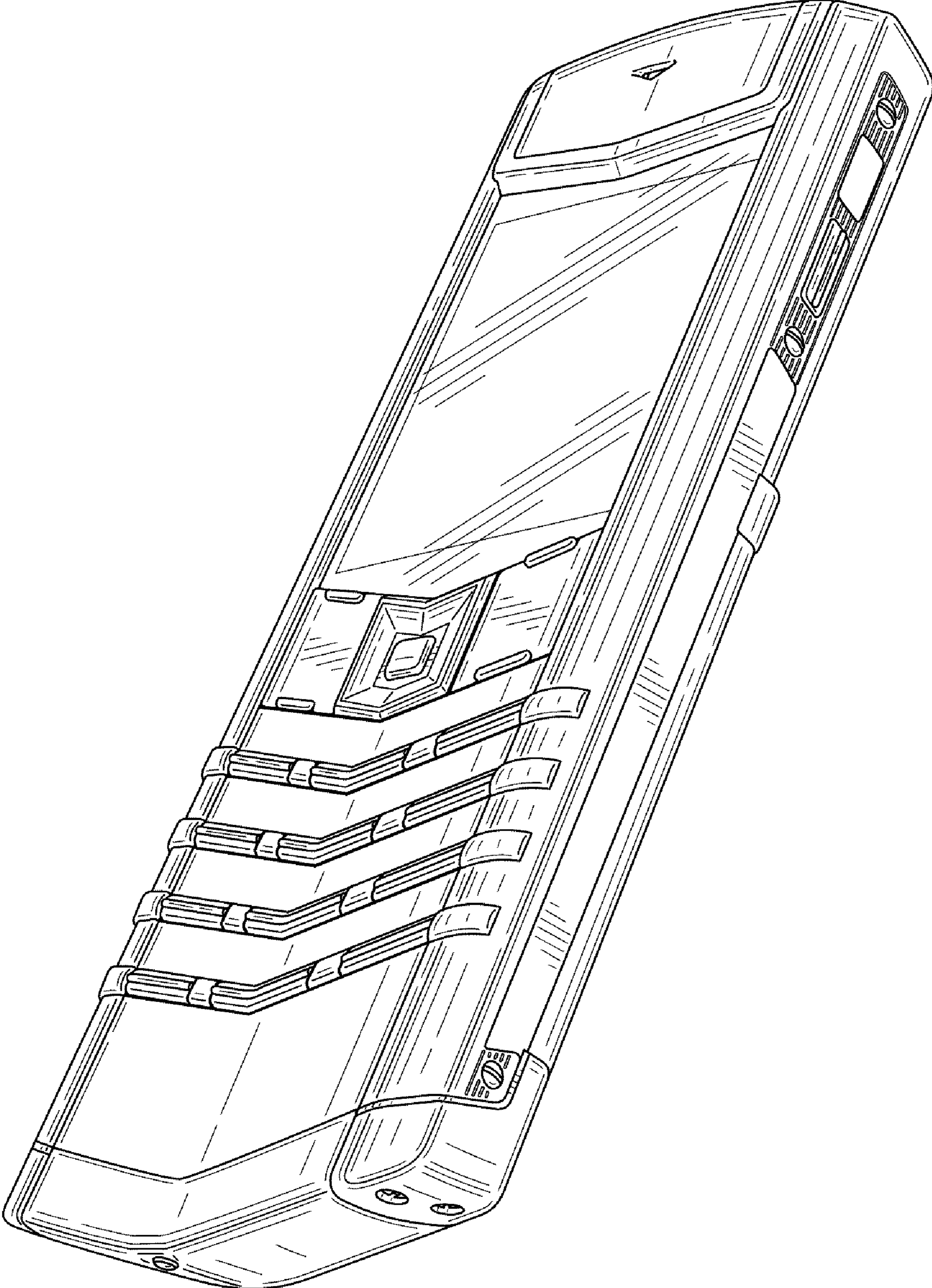


FIG. 1

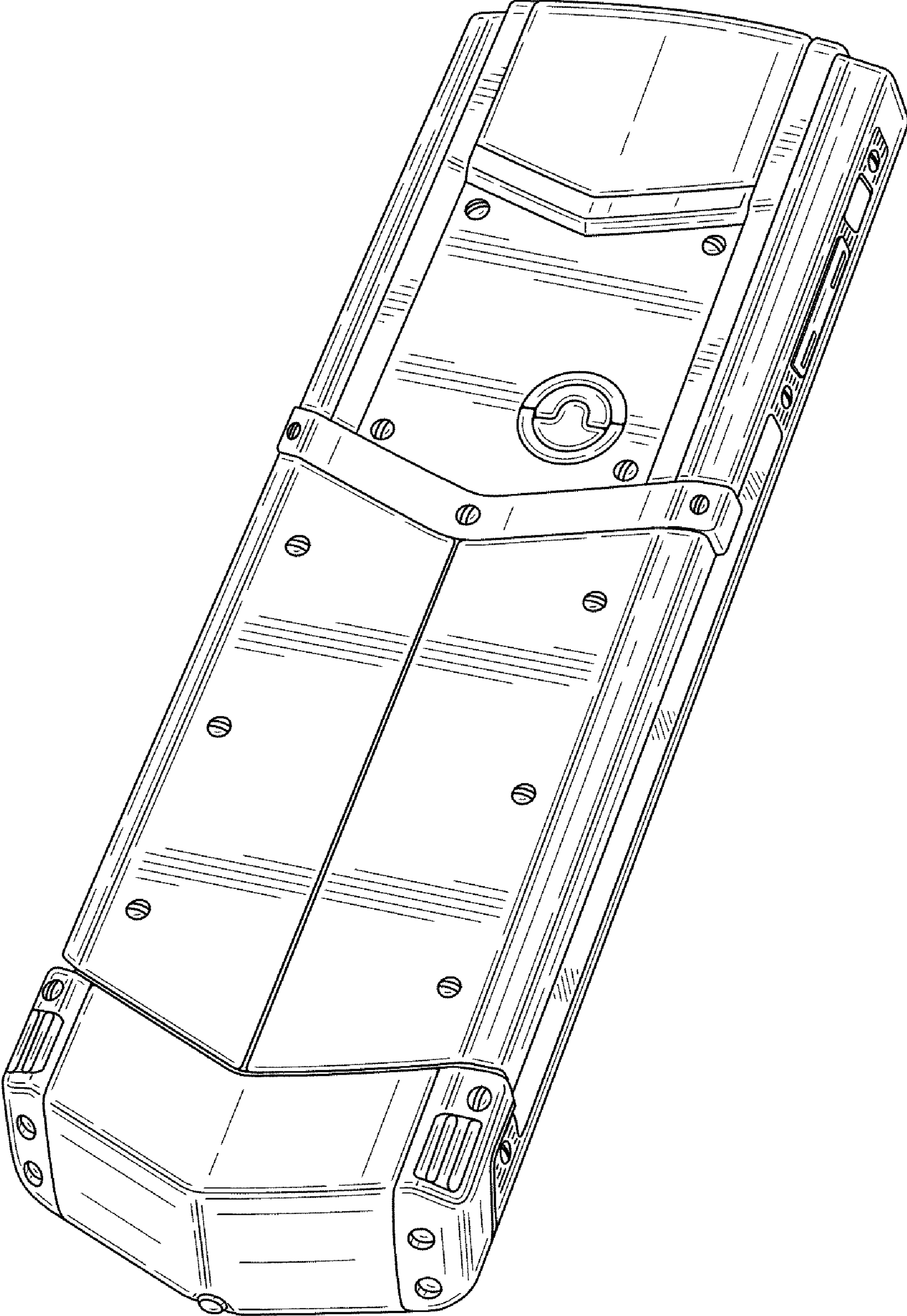


FIG. 2

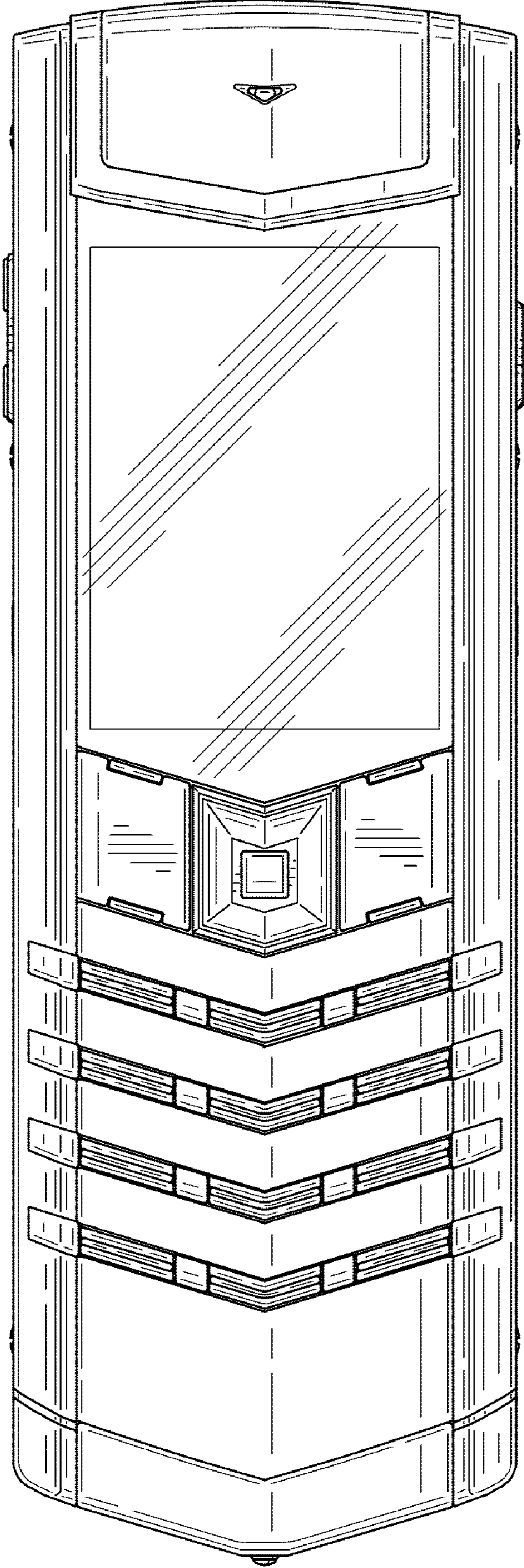


FIG. 3

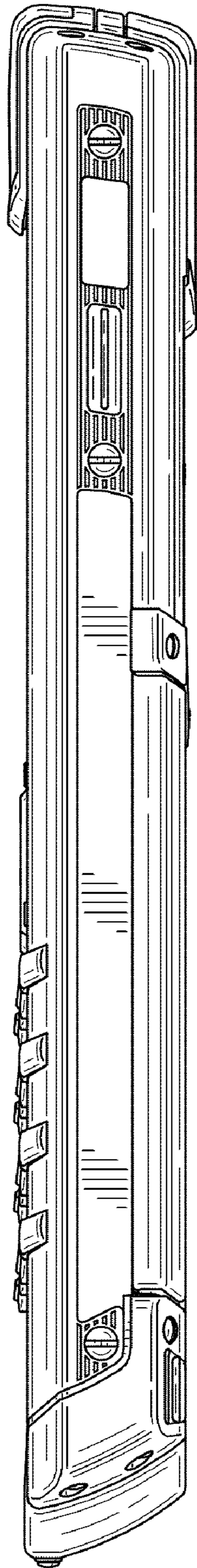


FIG. 4

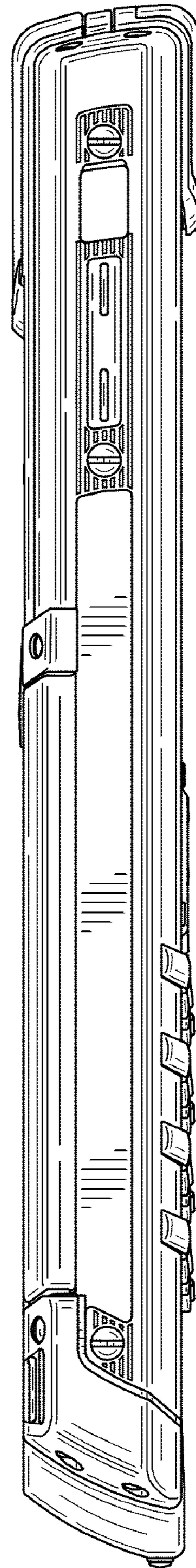


FIG. 5

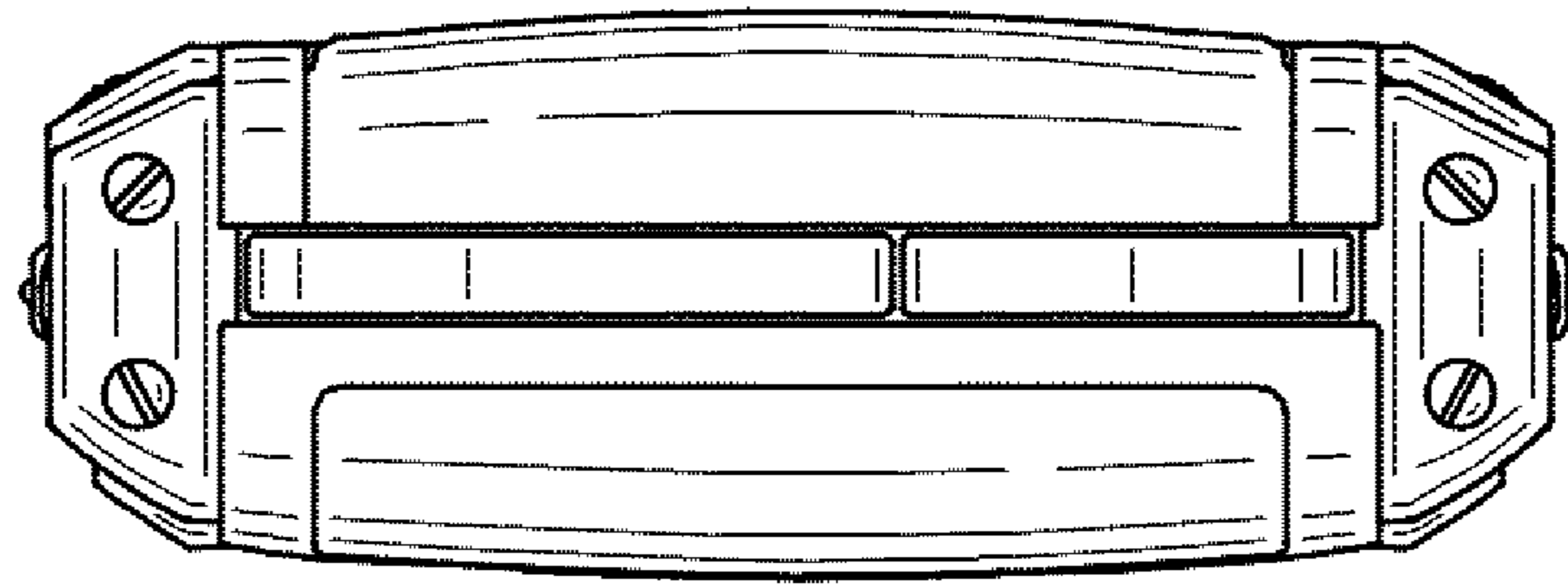


FIG. 6

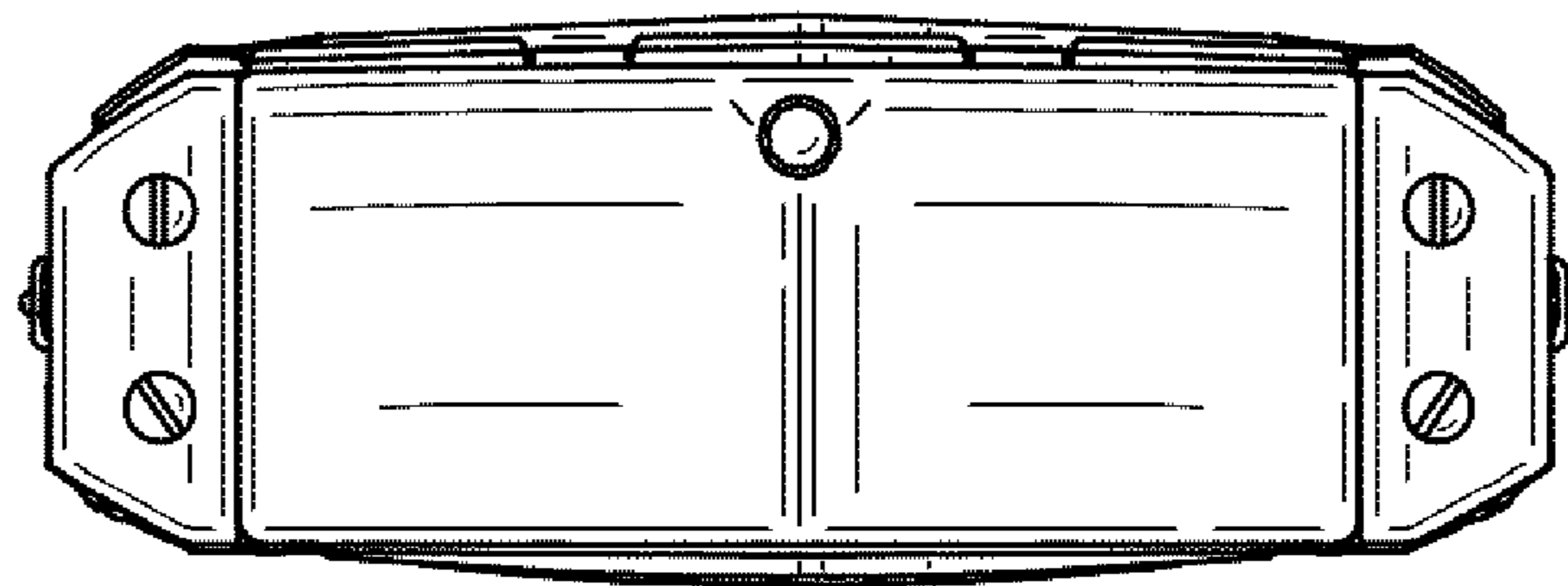


FIG. 7

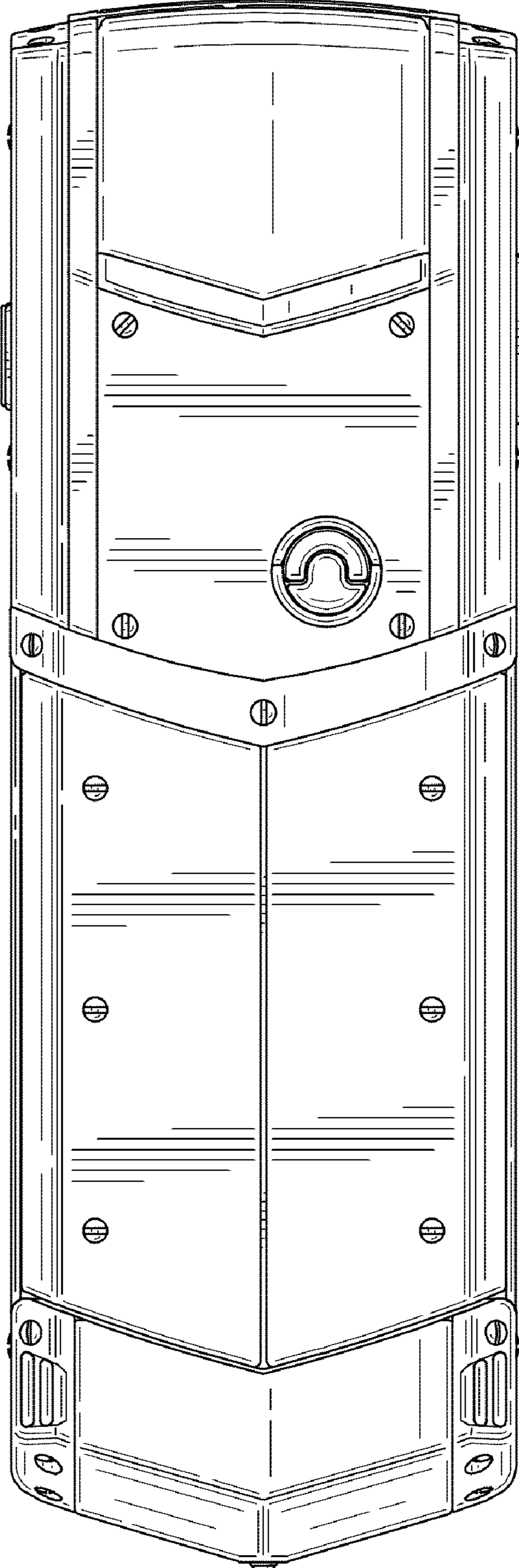


FIG. 8