



US00D605615S

(12) **United States Design Patent**
Fuxen

(10) **Patent No.:** **US D605,615 S**

(45) **Date of Patent:** **** Dec. 8, 2009**

(54) **TELEPHONE**

(75) Inventor: **David Fuxen**, München (DE)

(73) Assignee: **Siemens Aktiengesellschaft**, Munich (DE)

(**) Term: **14 Years**

(21) Appl. No.: **29/310,490**

(22) Filed: **Aug. 21, 2008**

D472,540 S *	4/2003	Katou	D14/151
D511,761 S *	11/2005	Robinson et al.	D14/151
D515,063 S *	2/2006	Yanagisawa et al.	D14/505
D534,512 S *	1/2007	Kim	D14/130
7,216,401 B2 *	5/2007	Bae	16/324
D550,195 S *	9/2007	Ju	D14/151
D552,588 S *	10/2007	Park et al.	D14/151
2004/0247113 A1 *	12/2004	Akatsu	379/419

FOREIGN PATENT DOCUMENTS

WO	DM/051109	*	10/1999
WO	DM/052738	*	7/2000

OTHER PUBLICATIONS

TMC IP-103, <URL:http://www.101phones.com/details/2823-7887/Corded-Voice-Over-IP-Phones-IP-103.html>, retrieved from internet Jan. 9, 2009 6:19:21 PM.*

* cited by examiner

Primary Examiner—Ian Simmons
Assistant Examiner—Carla Jobe Wright

Related U.S. Application Data

(62) Division of application No. 29/261,511, filed on Jun. 15, 2006, now Pat. No. Des. 580,906.

(30) **Foreign Application Priority Data**

Dec. 19, 2005 (EM) 000455621

(51) **LOC (9) Cl.** **14-03**

(52) **U.S. Cl.** **D14/130; D14/151**

(58) **Field of Classification Search** D14/125–130, D14/140–142, 144, 146–151, 158–159, 171, D14/188, 225–226, 240, 243, 250–253, 329–330, D14/357, 434, 471, 496; 379/88.17, 90.01, 379/93.17, 387.01, 388.02, 419–420.04, 379/420.02, 428.01–428.04, 434–436, 440, 379/446–447, 454–455; 381/16, 71.1; D13/107–108; 191/12.2 R; 320/108, 110, 113–115; 455/411, 455/550.1–90.3; 348/14.01–14.06
See application file for complete search history.

(56) **References Cited**

U.S. PATENT DOCUMENTS

5,412,417 A *	5/1995	Tozuka	348/14.01
D374,667 S *	10/1996	Elkins et al.	D14/151
5,761,297 A *	6/1998	Kingsbury et al.	379/428.03
D410,005 S *	5/1999	Landry et al.	D14/151
D463,780 S *	10/2002	Hung	D14/130

(57) **CLAIM**

The ornamental design for a telephone, as shown and described.

DESCRIPTION

FIG. 1 is a perspective view of the telephone;

FIG. 2 is a front view of the telephone;

FIG. 3 is a rear view of the telephone;

FIG. 4 is a top view of the telephone;

FIG. 5 is a bottom view of the telephone;

FIG. 6 is a right side view of the telephone; and,

FIG. 7 is a left side view of the telephone.

The broken line showing of the lower portion of the telephone in FIGS. 1–7 is for illustrative purposes only and forms no part of the claimed design.

1 Claim, 7 Drawing Sheets

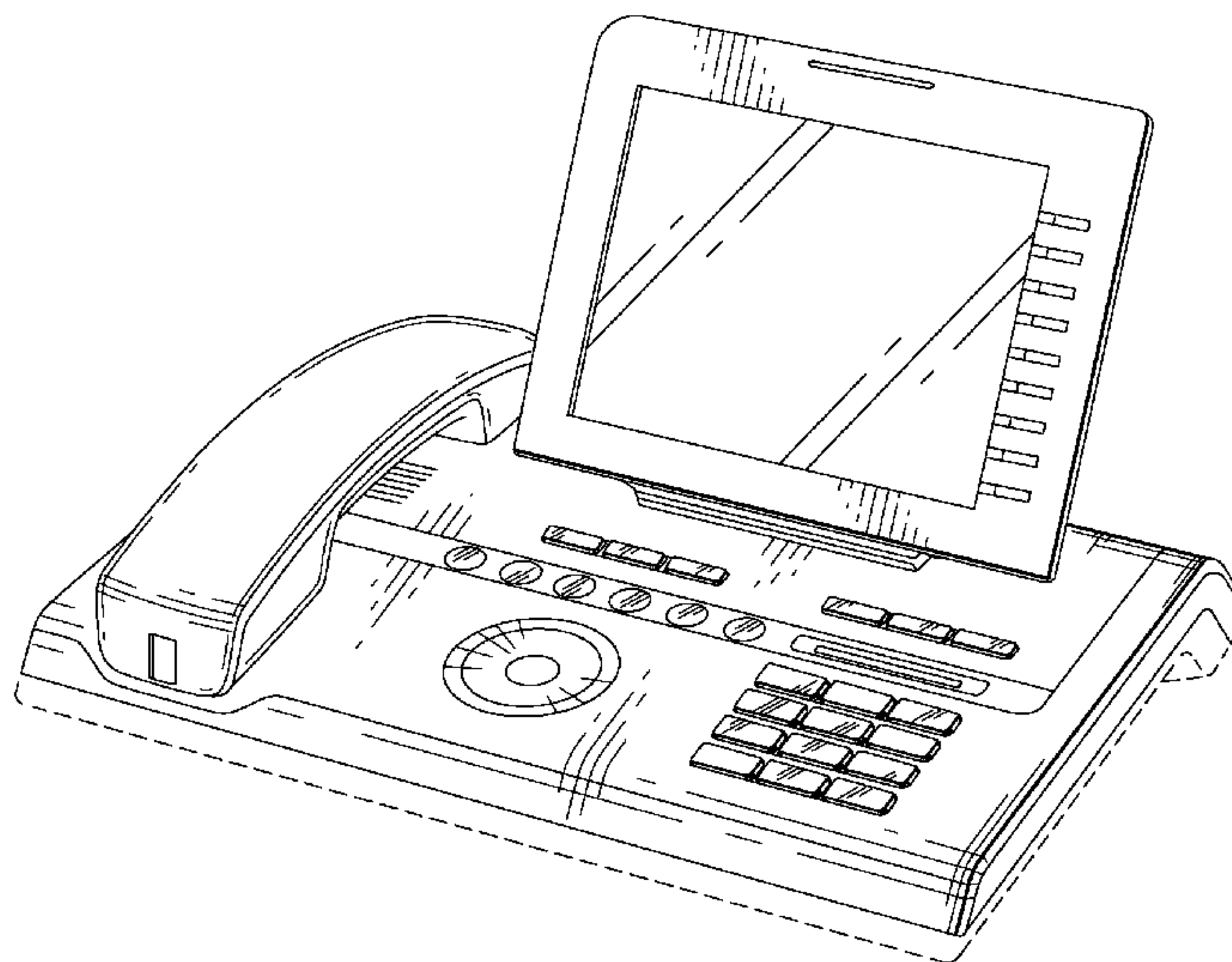




Fig. 1

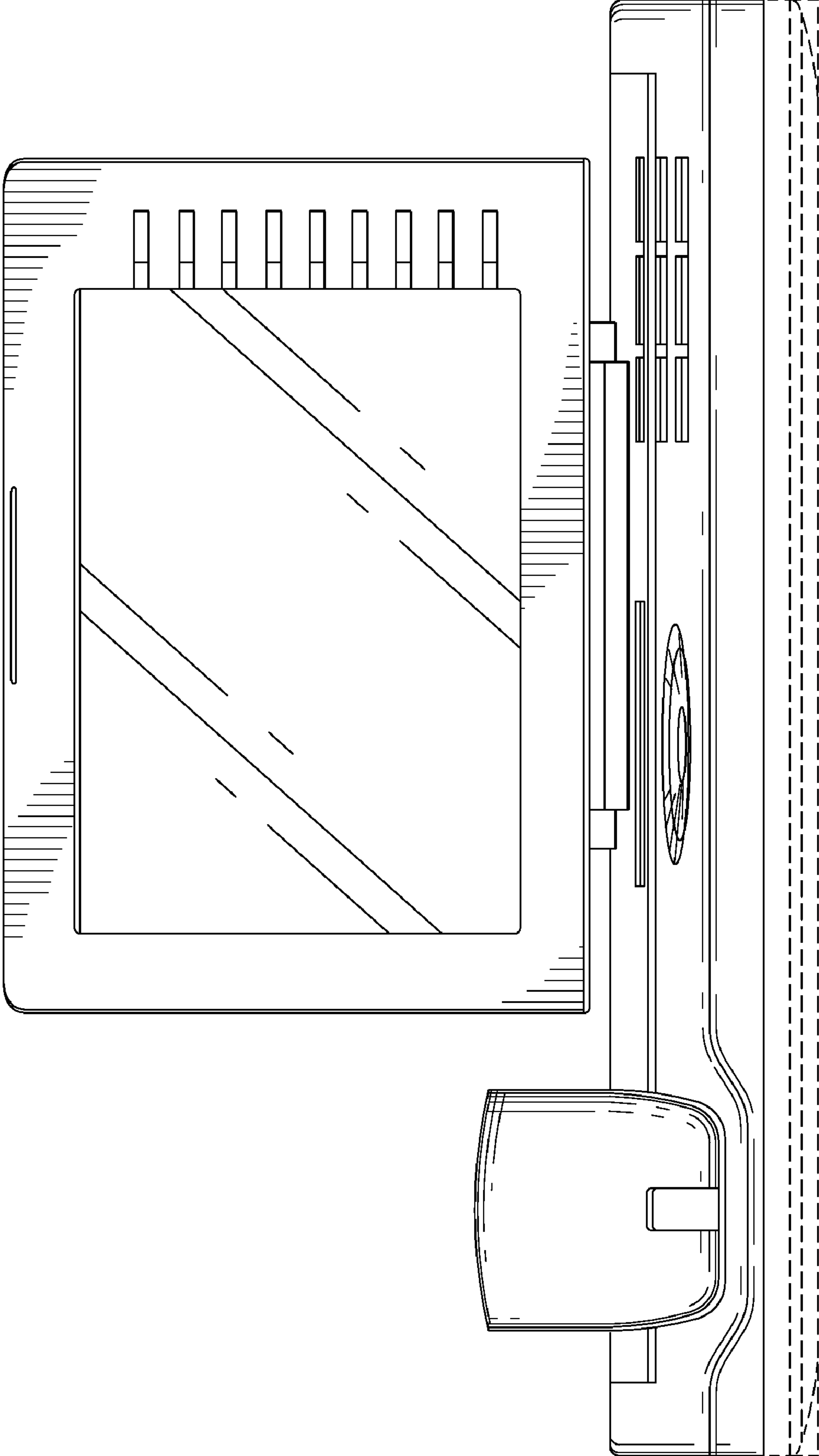


Fig. 2

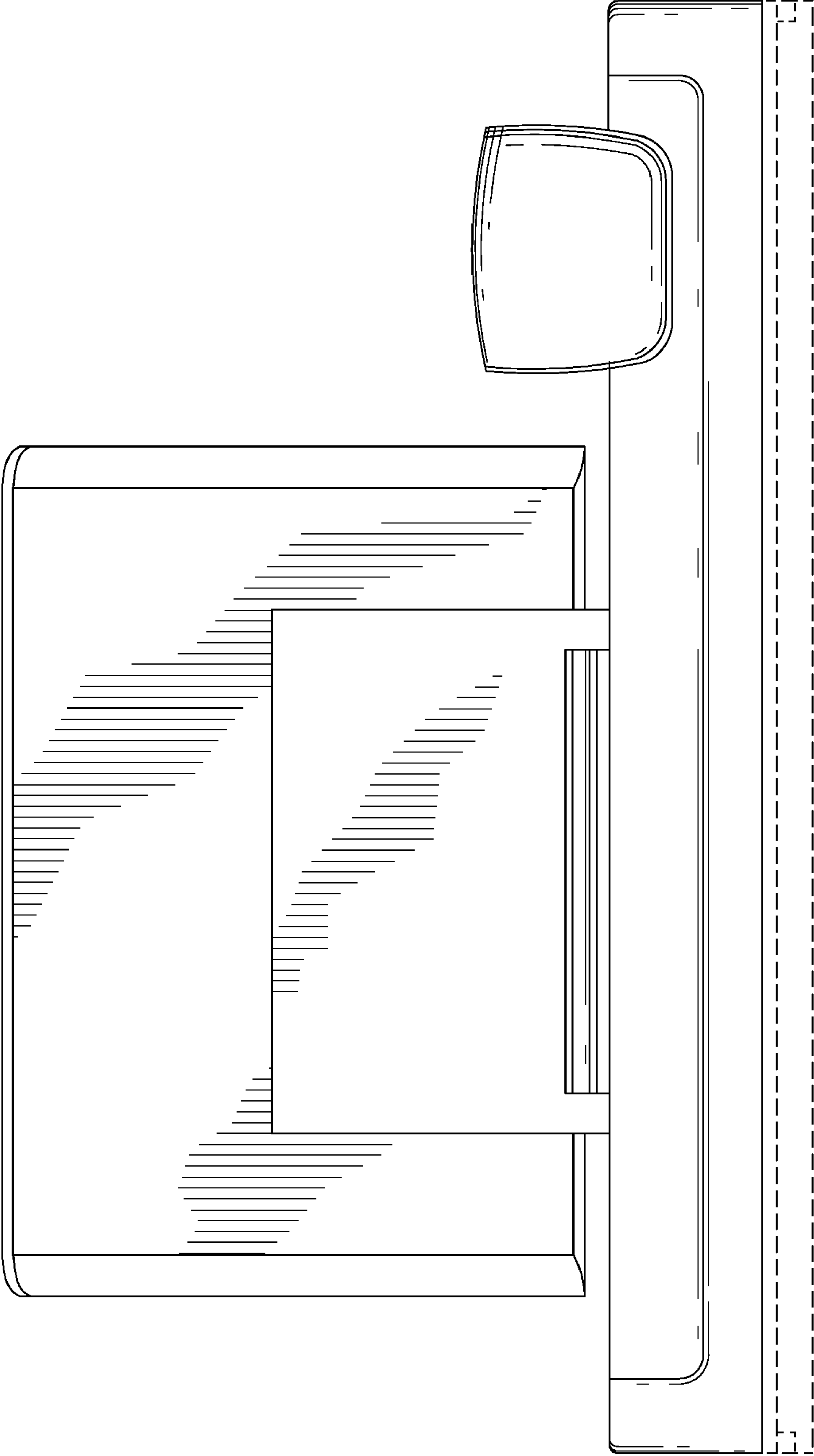


Fig. 3

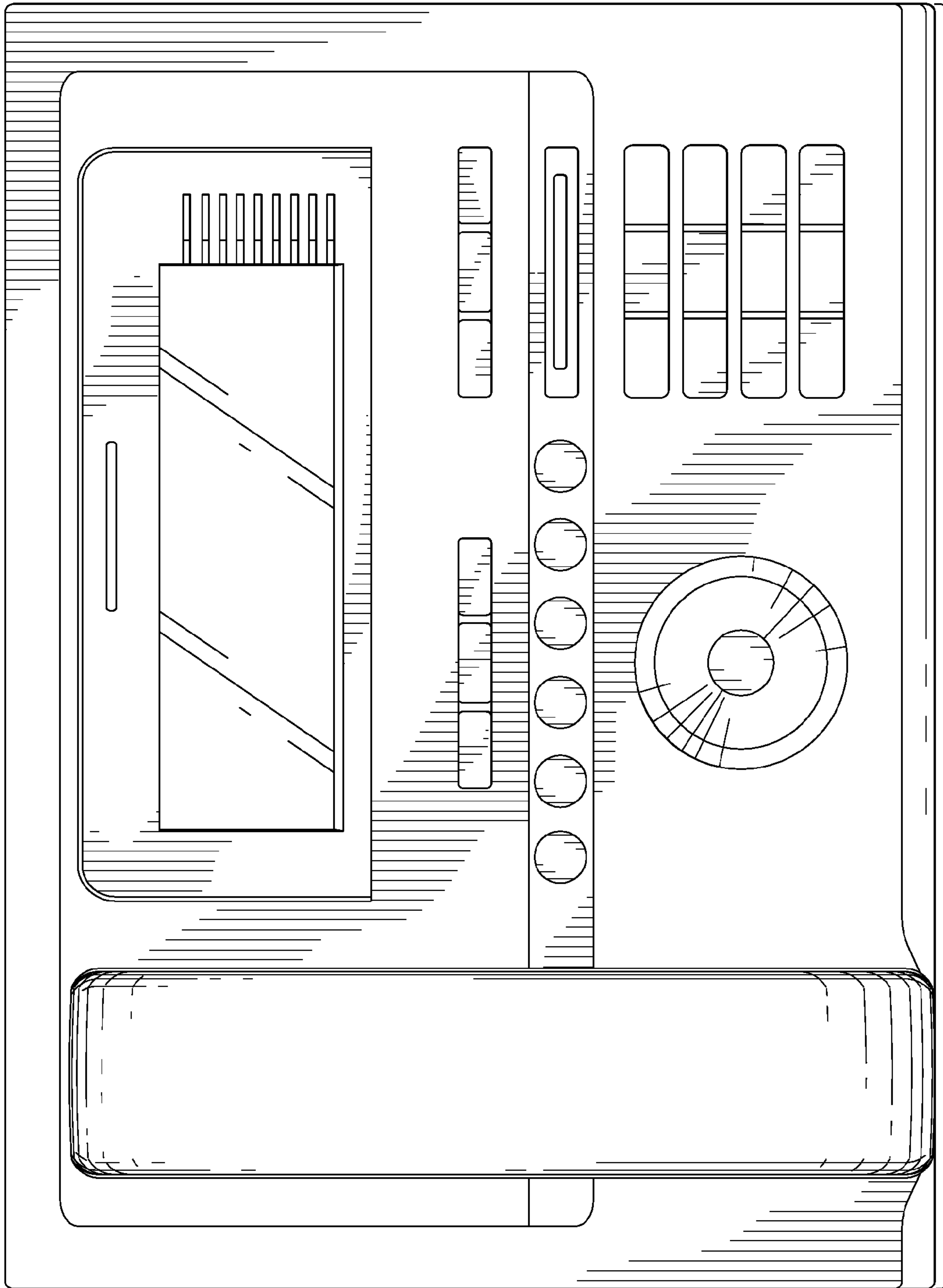


Fig. 4

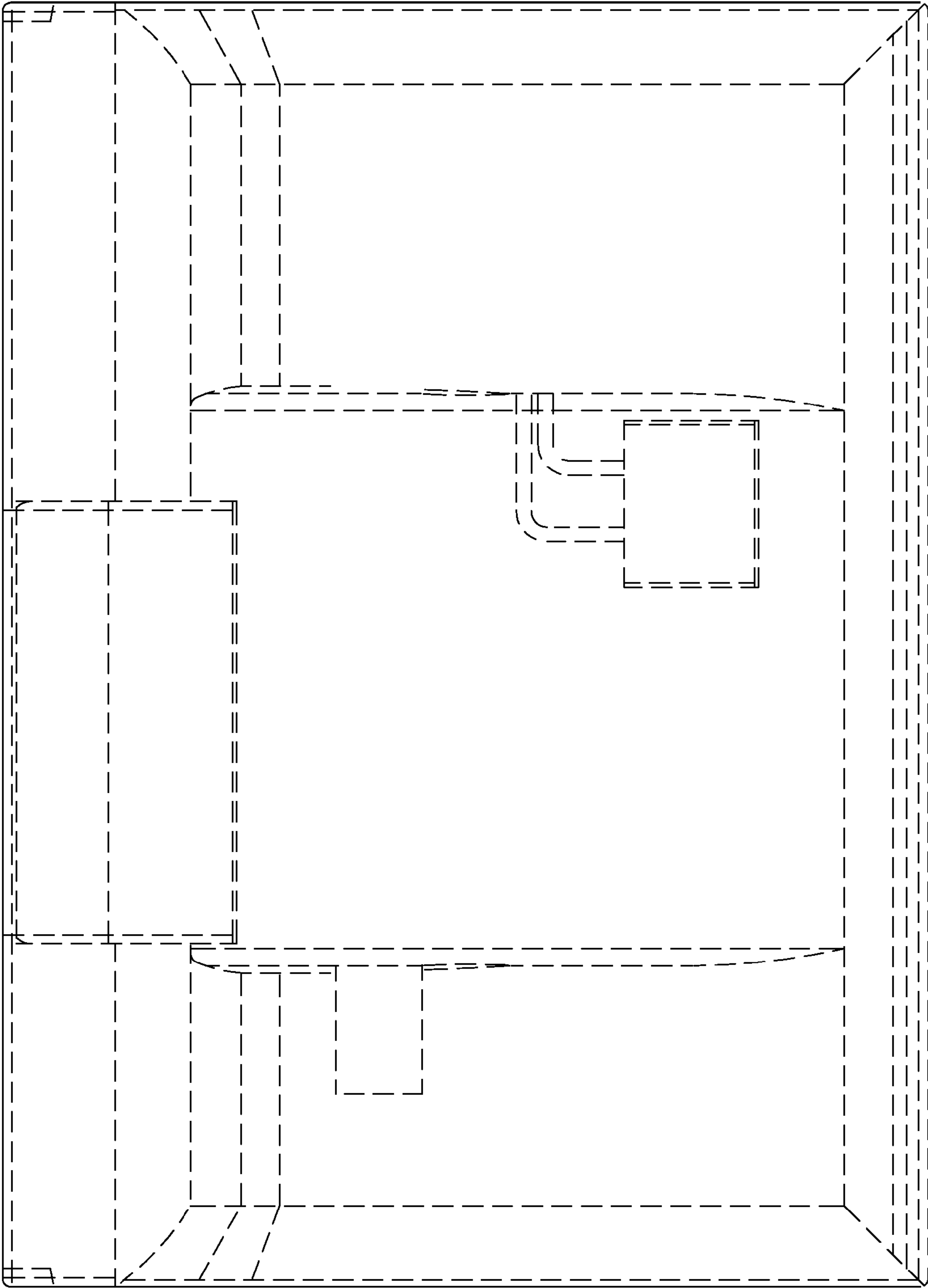


Fig. 5

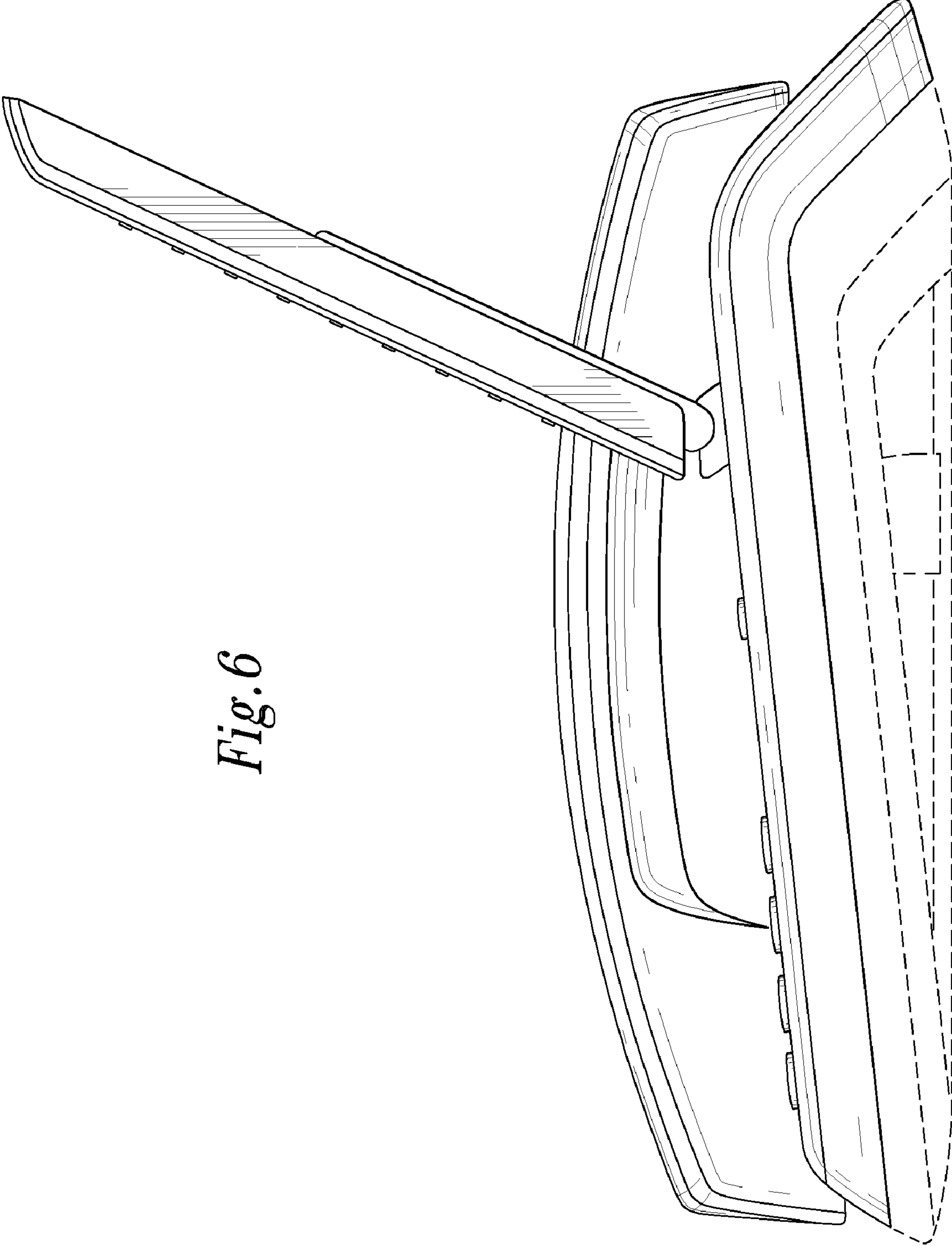


Fig. 6

Fig. 7

