



US00D605614S

(12) **United States Design Patent**  
**Lee et al.**

(10) **Patent No.:** **US D605,614 S**  
(45) **Date of Patent:** **\*\* Dec. 8, 2009**

(54) **TELEVISION MONITOR**

(75) Inventors: **Yong Ho Lee**, Seoul (KR); **Yoon Kyeong Lee**, Seoul (KR)

(73) Assignee: **LG Electronics Inc.**, Seoul (KR)

(\*\*) Term: **14 Years**

(21) Appl. No.: **29/328,804**

(22) Filed: **Dec. 2, 2008**

(30) **Foreign Application Priority Data**

Jun. 4, 2008 (KR) ..... 30-2008-0023925

(51) **LOC (9) Cl.** ..... **14-03**

(52) **U.S. Cl.** ..... **D14/126**

(58) **Field of Classification Search** ..... D14/125-134,  
D14/239, 371, 136, 374-377, 440, 450, 448,  
D14/336, 342; 312/7.2; 348/836, 838, 180,  
348/184, 325, 739; 341/12; 248/917-924,  
248/465; 345/104, 133, 156, 168, 87, 173;  
720/605, 669, 600, 655; 369/99, 197; 455/344,  
455/347; D21/329, 515, 577, 622, 333, 433,  
D21/448, 452, 450, 331; D6/477, 479; 273/148 B;  
446/484, 175, 356; D10/15, 26  
See application file for complete search history.

(56) **References Cited**

**U.S. PATENT DOCUMENTS**

D417,659 S \* 12/1999 Takemasa ..... D14/374  
D424,068 S \* 5/2000 Takemasa ..... D14/374  
D483,020 S \* 12/2003 Nagao et al. .... D14/126  
D500,991 S \* 1/2005 Niitsu ..... D14/126  
D533,149 S \* 12/2006 Inoue ..... D14/126  
D534,881 S \* 1/2007 Ju et al. .... D14/126  
D537,799 S \* 3/2007 Inoue ..... D14/126

D538,241 S \* 3/2007 Lee et al. .... D14/126  
D549,674 S \* 8/2007 Lee et al. .... D14/126  
D564,987 S \* 3/2008 Shimizu et al. .... D14/126  
D576,975 S \* 9/2008 Oh et al. .... D14/126

\* cited by examiner

*Primary Examiner*—Raphael Barkai

(74) *Attorney, Agent, or Firm*—Birch, Stewart, Kolasch & Birch, LLP

(57) **CLAIM**

The ornamental design for a television monitor, as shown and described.

**DESCRIPTION**

FIG. 1 is a perspective view of a television monitor showing our new design;

FIG. 2 is a front view thereof;

FIG. 3 is a rear view thereof;

FIG. 4 is a left side view thereof;

FIG. 5 is a right side view thereof;

FIG. 6 is a top plan view thereof;

FIG. 7 is a bottom plan view thereof;

FIG. 8 is a perspective view thereof showing the state in which the television monitor has been installed to a wall after the stand part has been detached;

FIG. 9 is a bottom view thereof with the base removed for ease of illustration; and,

FIG. 10 is an enlarged view of a part of the right part of the television monitor's main body.

The broken lines showing the wall in FIG. 8 are for illustrative purposes only, and form no part of the claimed design.

**1 Claim, 9 Drawing Sheets**

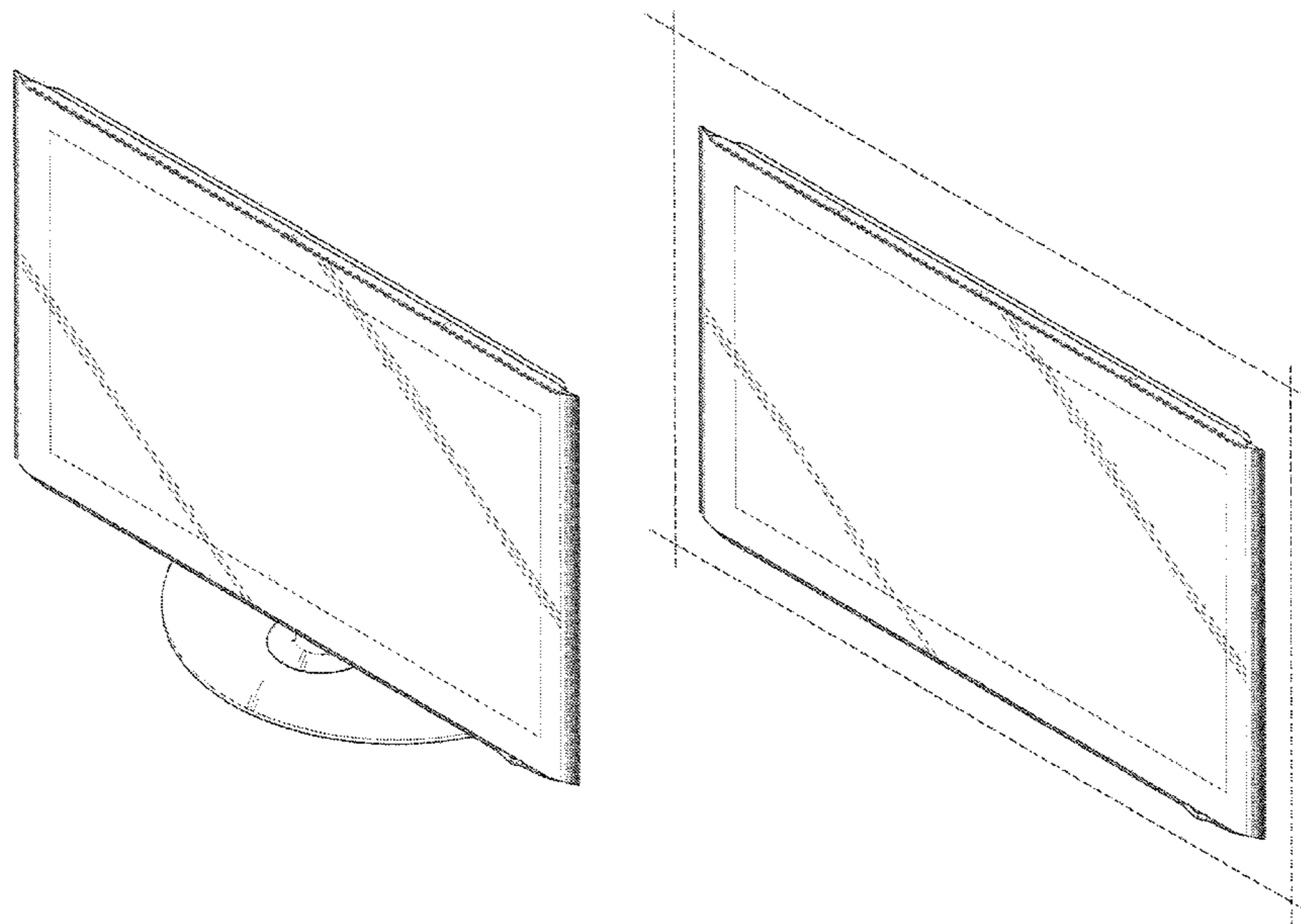


FIG. 1

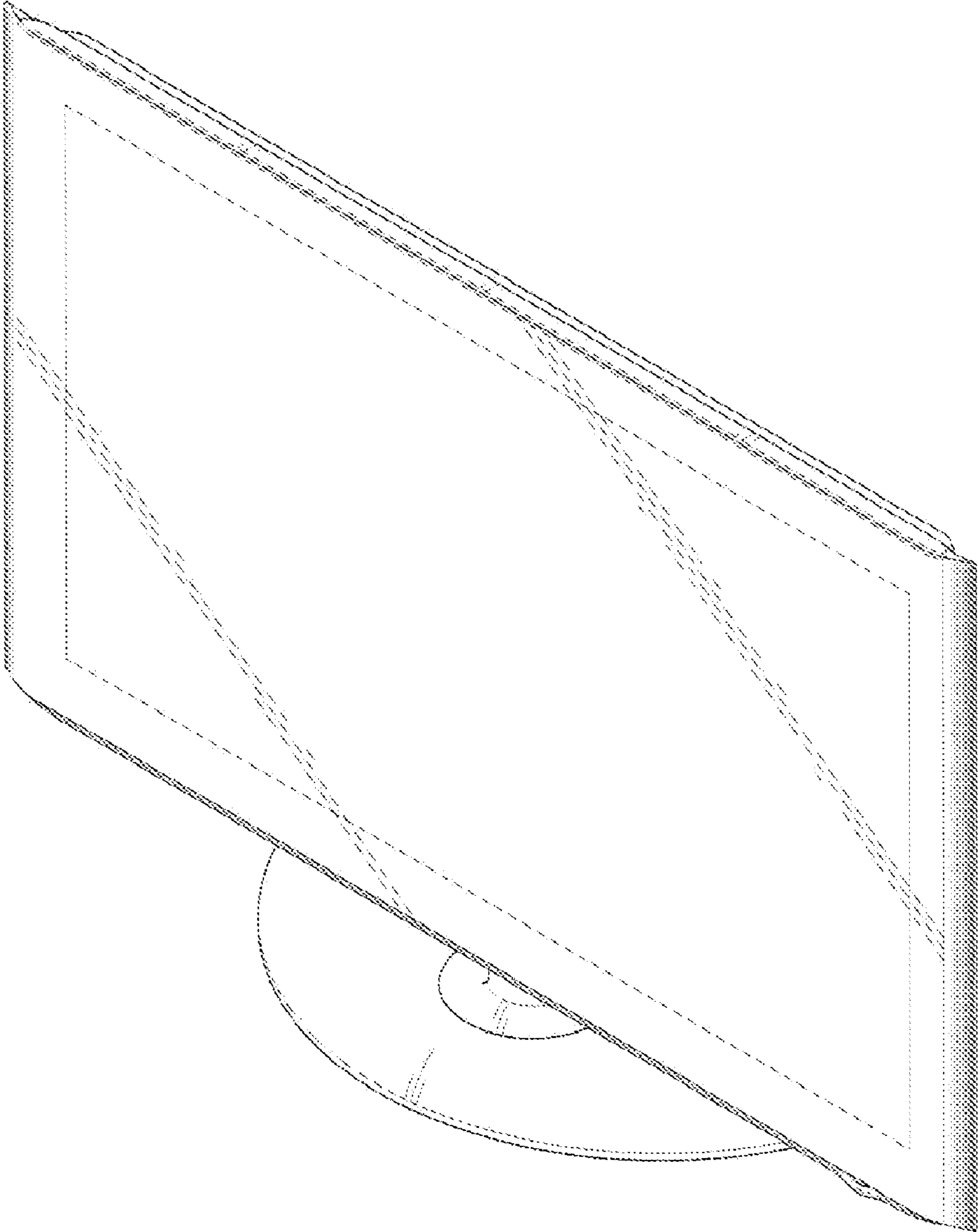


FIG. 2

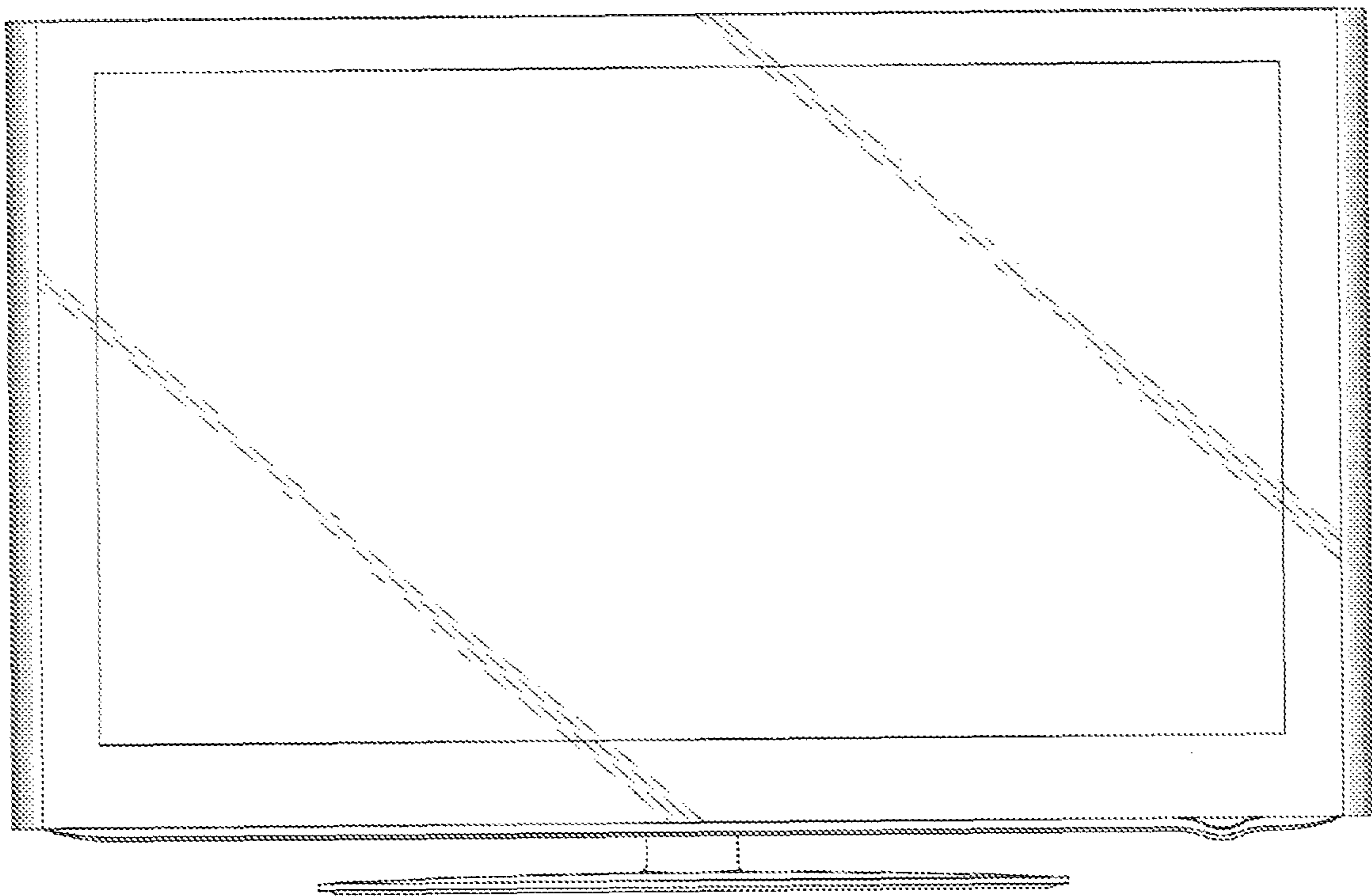


FIG. 3

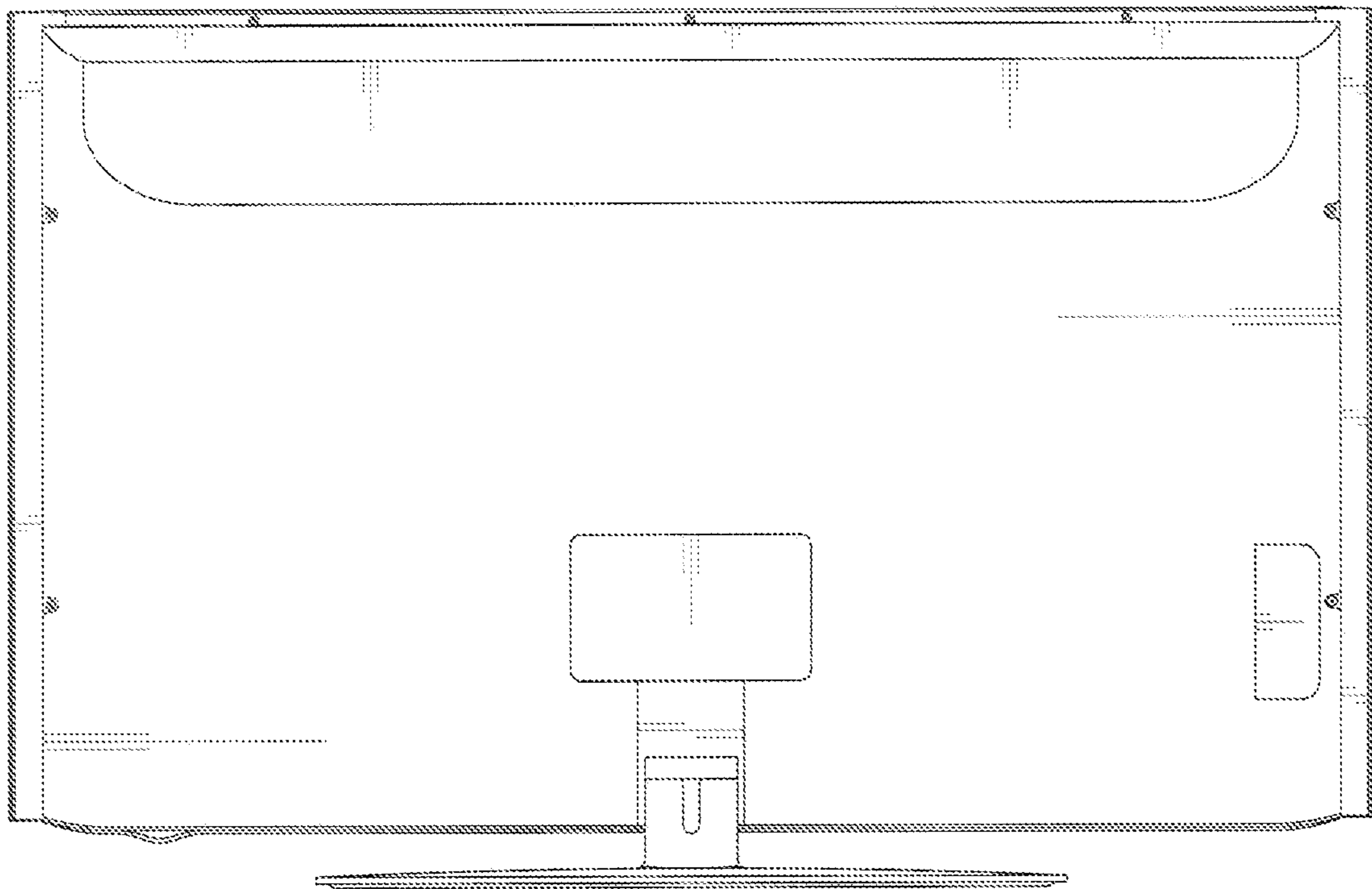


FIG. 4

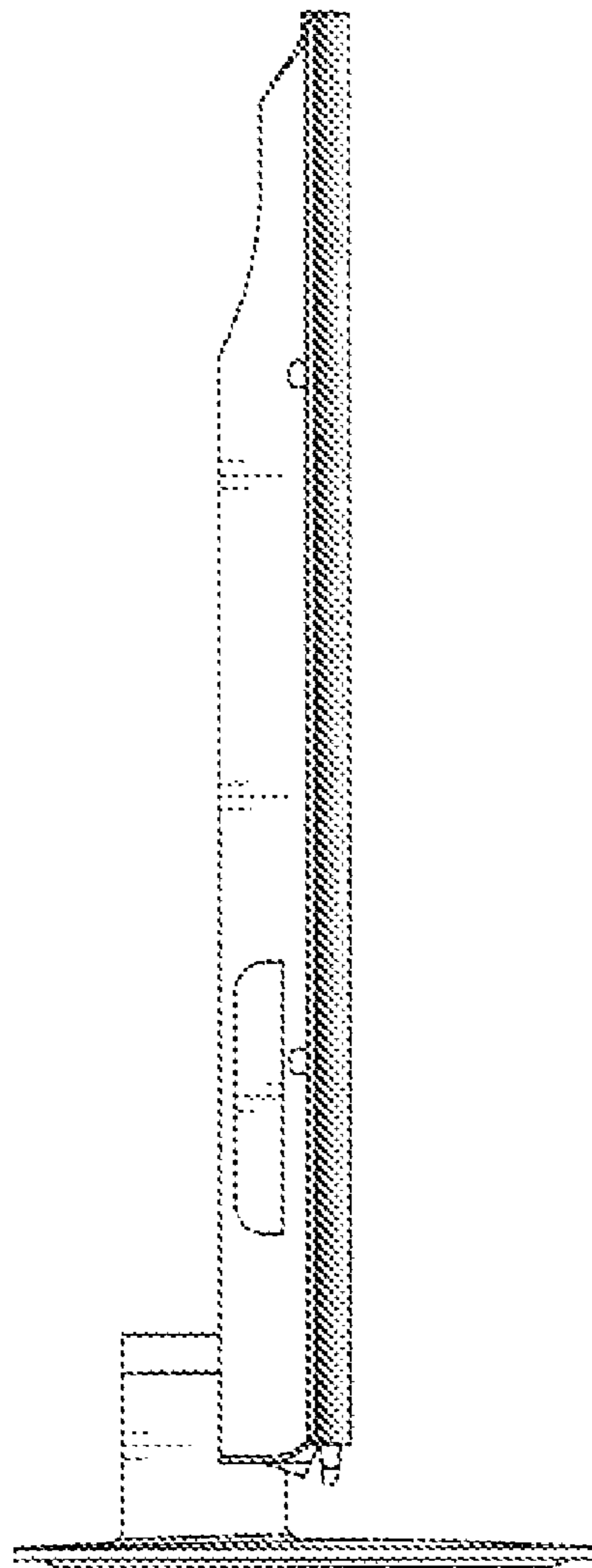


FIG. 5

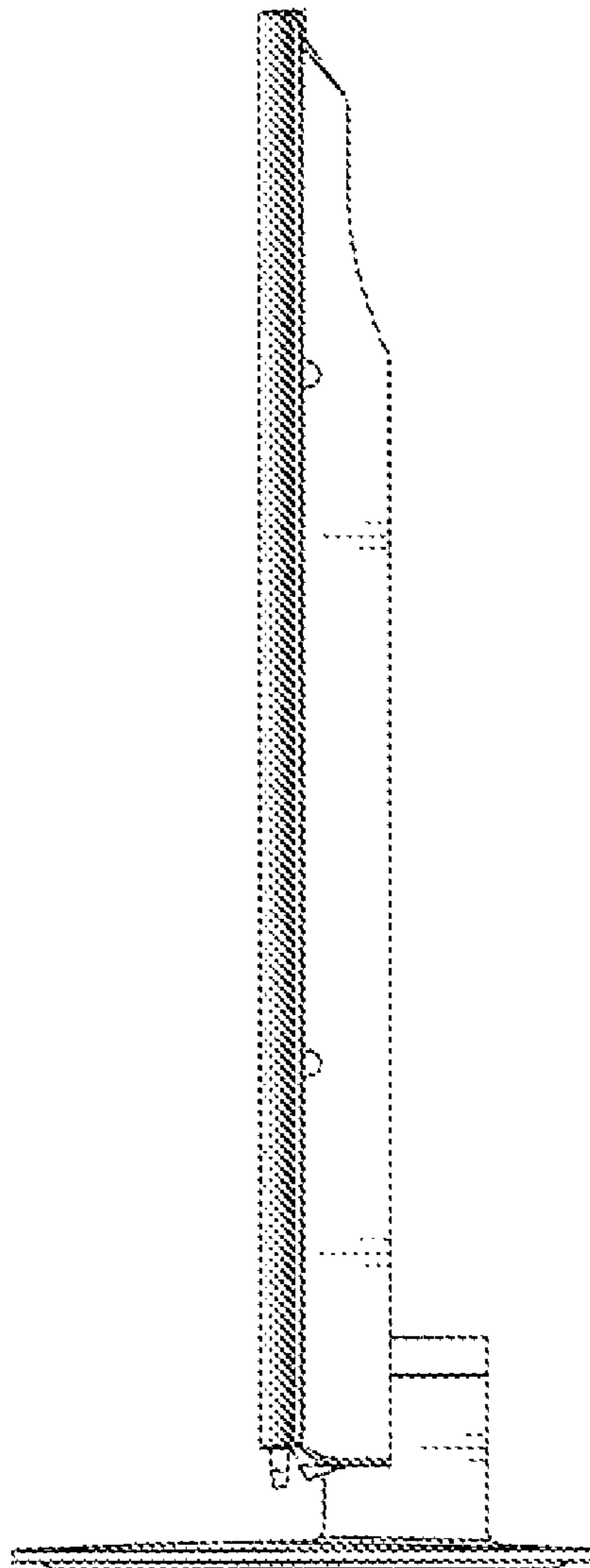


FIG. 6

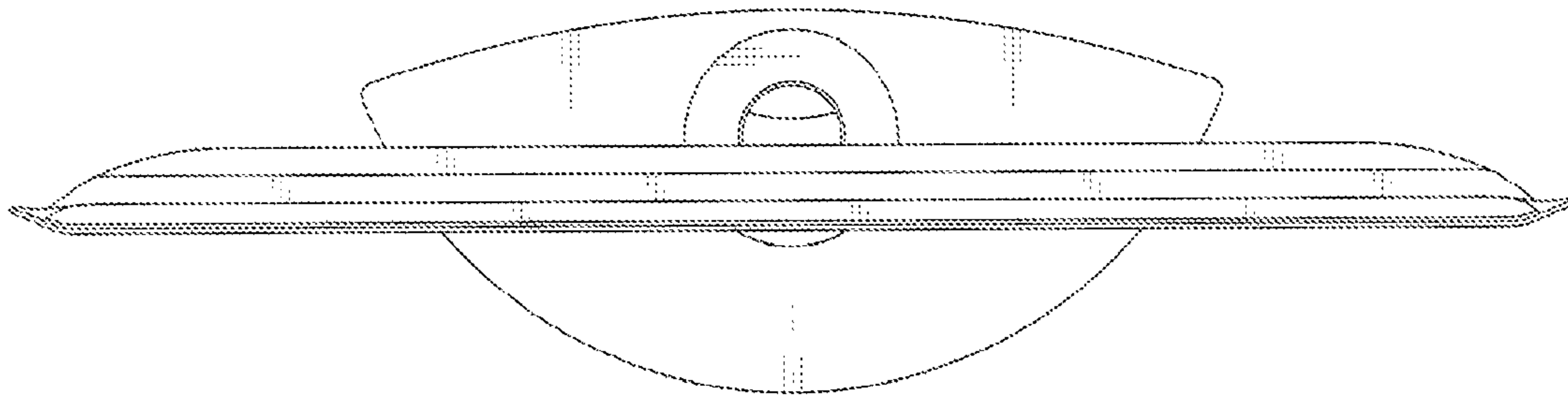


FIG. 7

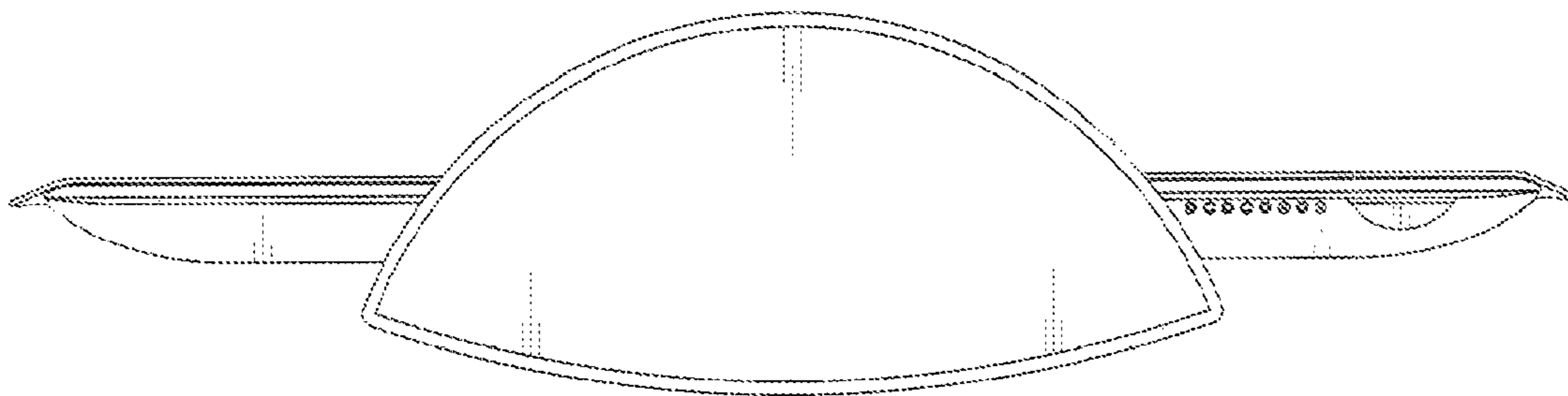


FIG. 8

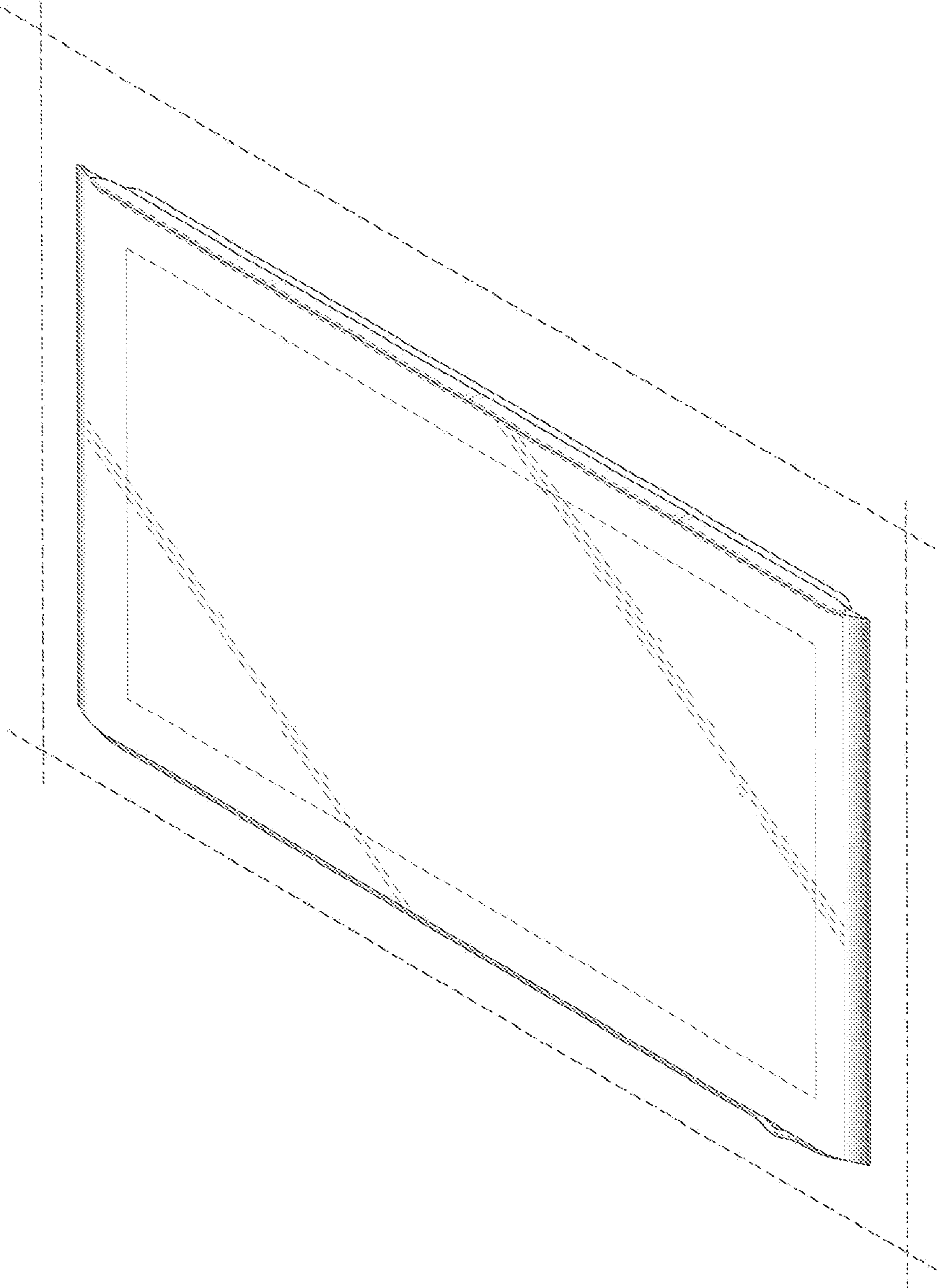




FIG. 9

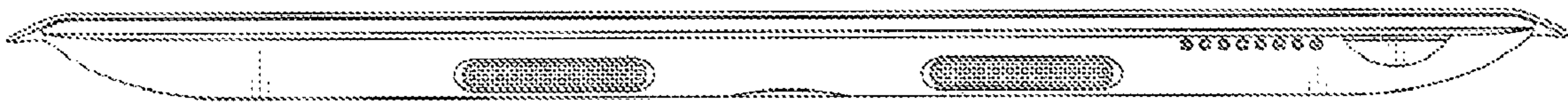


FIG. 10

