



US00D605611S

(12) **United States Design Patent**  
**Park**

(10) **Patent No.:** **US D605,611 S**

(45) **Date of Patent:** **\*\* Dec. 8, 2009**

(54) **LIGHT EMITTING DIODE**

2005/0242708 A1\* 11/2005 Keong et al. .... 313/498  
2006/0157726 A1\* 7/2006 Loh et al. .... 257/100

(75) Inventor: **Kwang-Il Park**, Ansan-si (KR)

\* cited by examiner

(73) Assignee: **Seoul Semiconductor Co., Ltd.**, Seoul (KR)

*Primary Examiner*—Selina Sikder

(74) *Attorney, Agent, or Firm*—H.C. Park & Associates, PLC

(\*\*) Term: **14 Years**

(57) **CLAIM**

(21) Appl. No.: **29/329,075**

The ornamental design for a light emitting diode, as shown and described.

(22) Filed: **Dec. 8, 2008**

(30) **Foreign Application Priority Data**

**DESCRIPTION**

Jun. 25, 2008 (KR) ..... 30-2008-0027553

FIG. 1 is a perspective view of a light emitting diode.

(51) **LOC (9) Cl.** ..... **13-03**

FIG. 2 is a front elevational view of the light emitting diode.

(52) **U.S. Cl.** ..... **D13/180**

FIG. 3 is a rear elevational view of the light emitting diode.

(58) **Field of Classification Search** ..... D13/180;  
D26/2; 257/79, 80, 81, 88, 89, 95, 98, 99,  
257/100; 313/483, 498, 500; 362/555, 800  
See application file for complete search history.

FIG. 4 is a left side elevational view of the light emitting diode.

FIG. 5 is a top plan view of the light emitting diode.

FIG. 6 is a bottom plan view of the light emitting diode.

(56) **References Cited**

FIG. 7 is a reference perspective view from a bottom view of FIG. 1; and,

**U.S. PATENT DOCUMENTS**

FIG. 8 is a reference sectional view taken along line 8—8 of FIG. 5.

|              |      |         |                 |       |         |
|--------------|------|---------|-----------------|-------|---------|
| 4,959,761    | A *  | 9/1990  | Critelli et al. | ..... | 362/646 |
| 6,486,543    | B1 * | 11/2002 | Sano et al.     | ..... | 257/684 |
| D471,166     | S *  | 3/2003  | Oshio et al.    | ..... | D13/182 |
| D508,233     | S *  | 8/2005  | Kasae et al.    | ..... | D13/180 |
| 7,001,046    | B2 * | 2/2006  | Kaga et al.     | ..... | 362/294 |
| 2004/0070338 | A1 * | 4/2004  | Noguchi et al.  | ..... | 313/512 |

A right side elevational view is omitted because it is symmetrical to the view shown in FIG. 4.

**1 Claim, 4 Drawing Sheets**

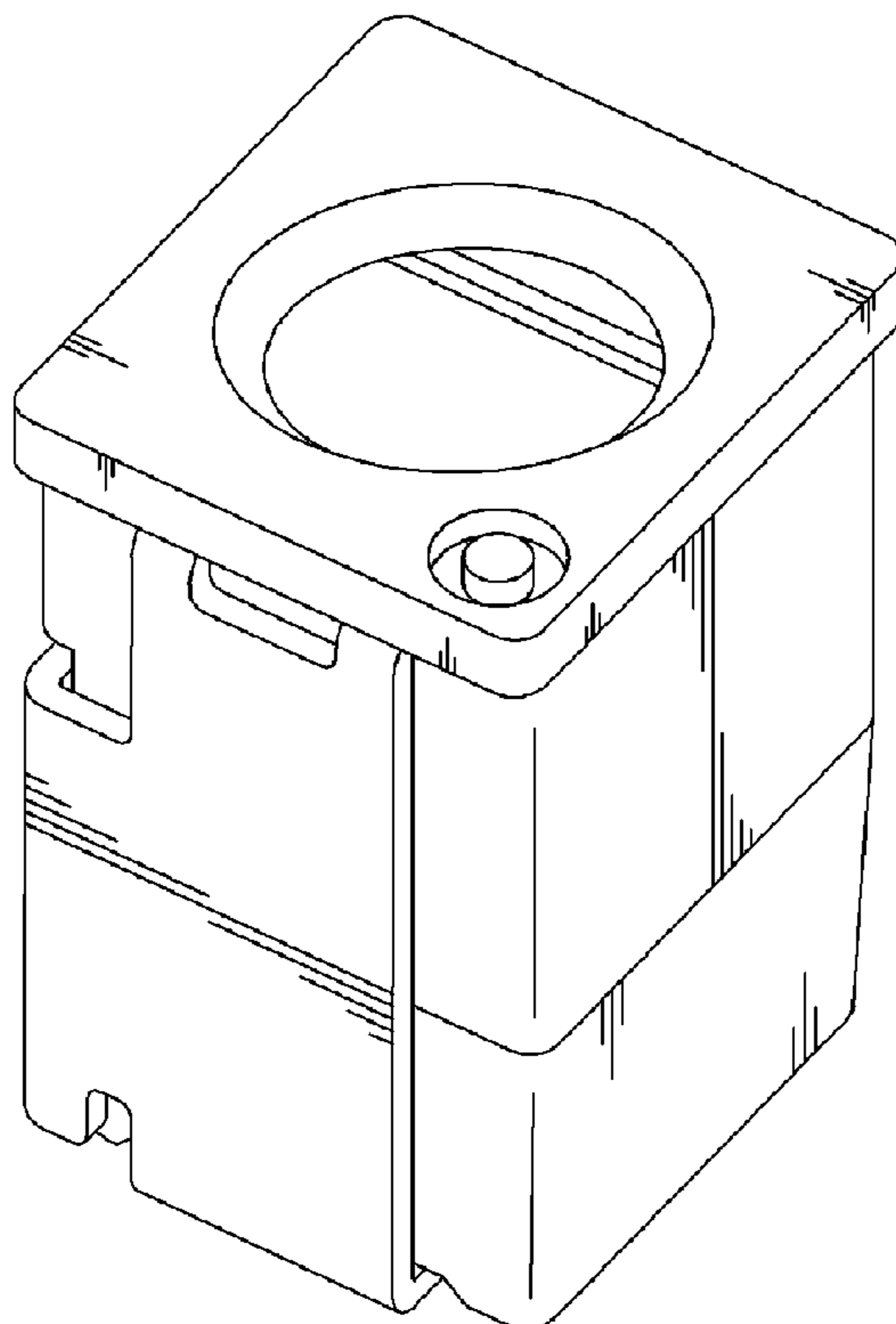


FIG. 1

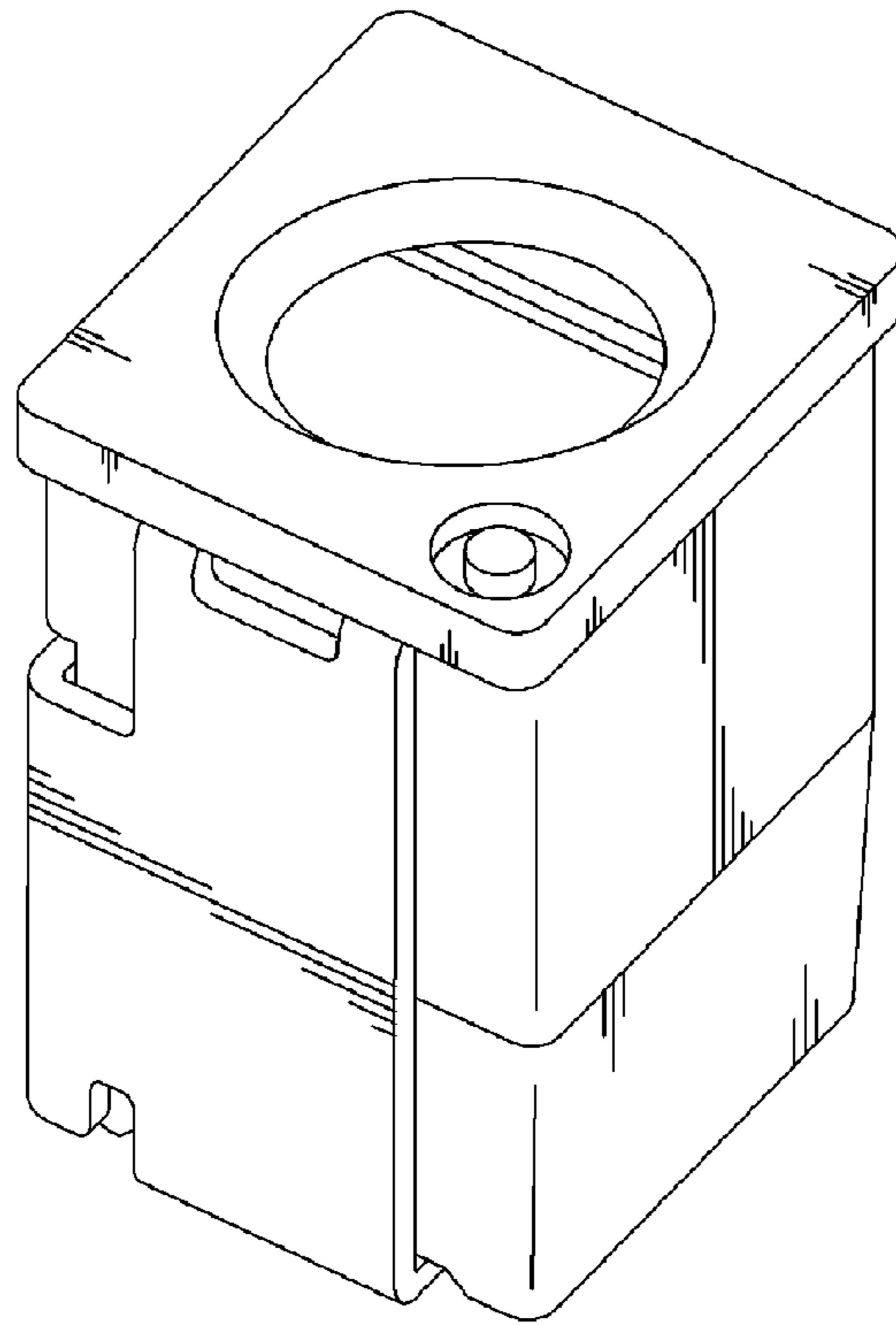


FIG. 2

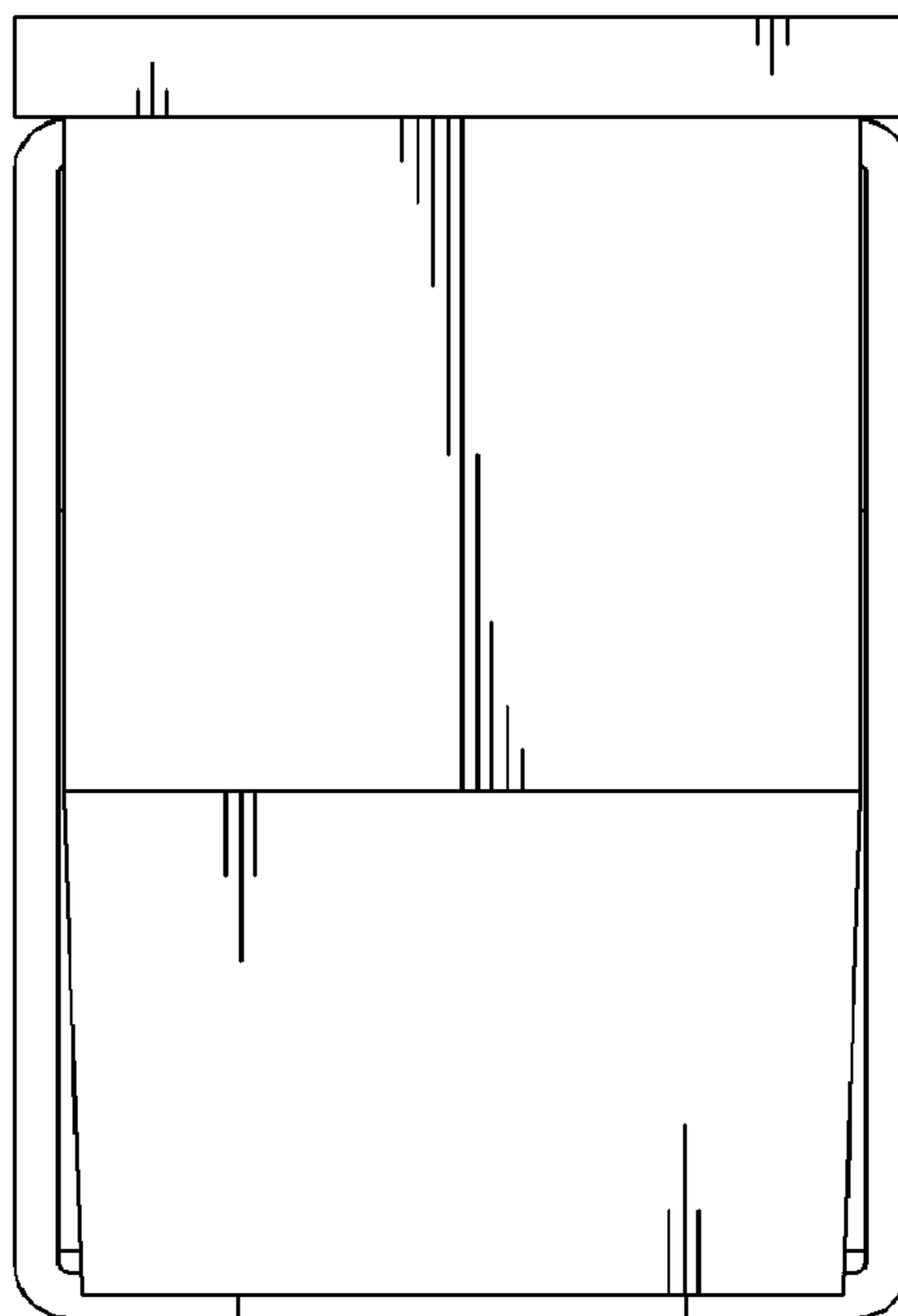


FIG. 3

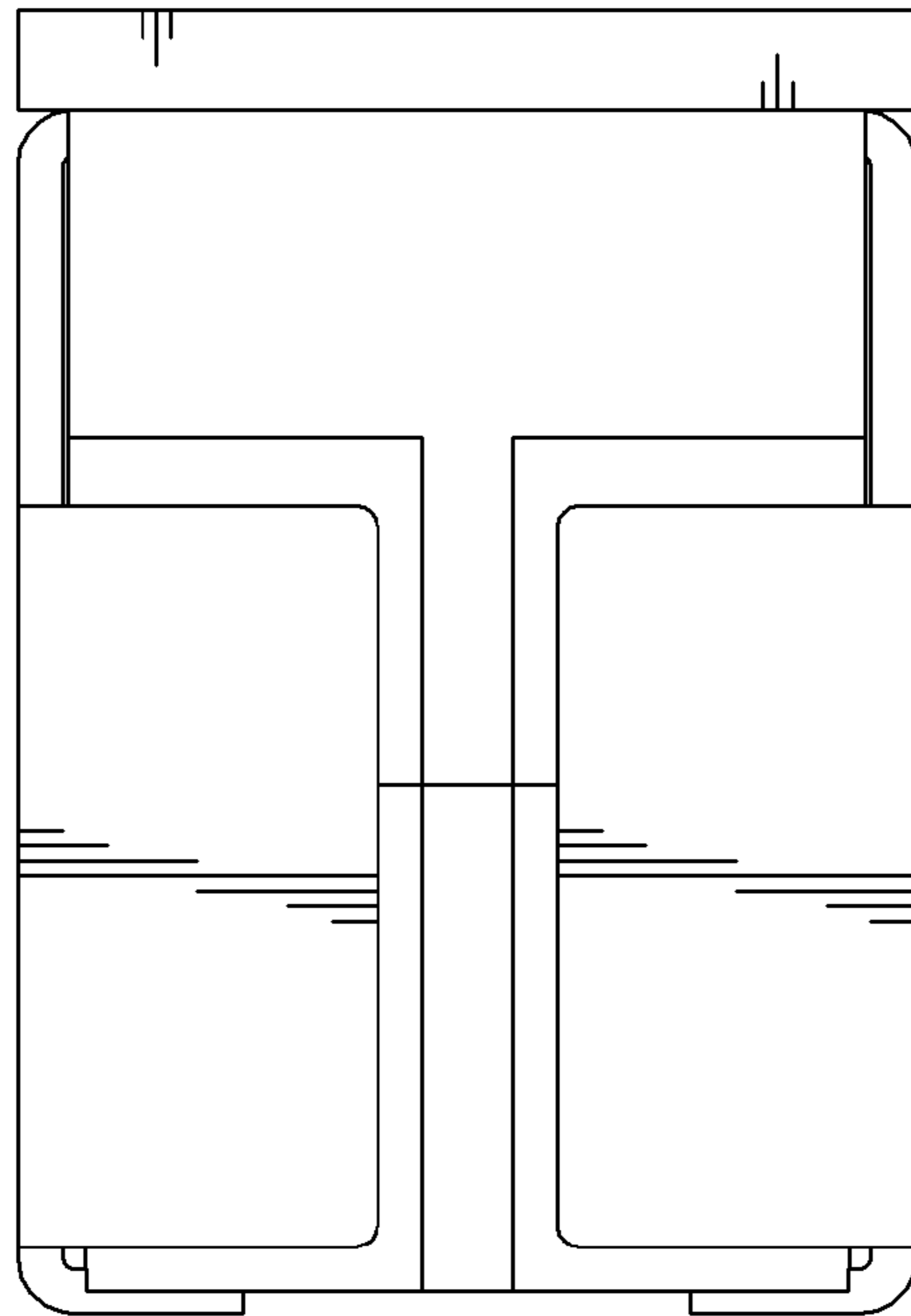


FIG. 4



FIG. 5

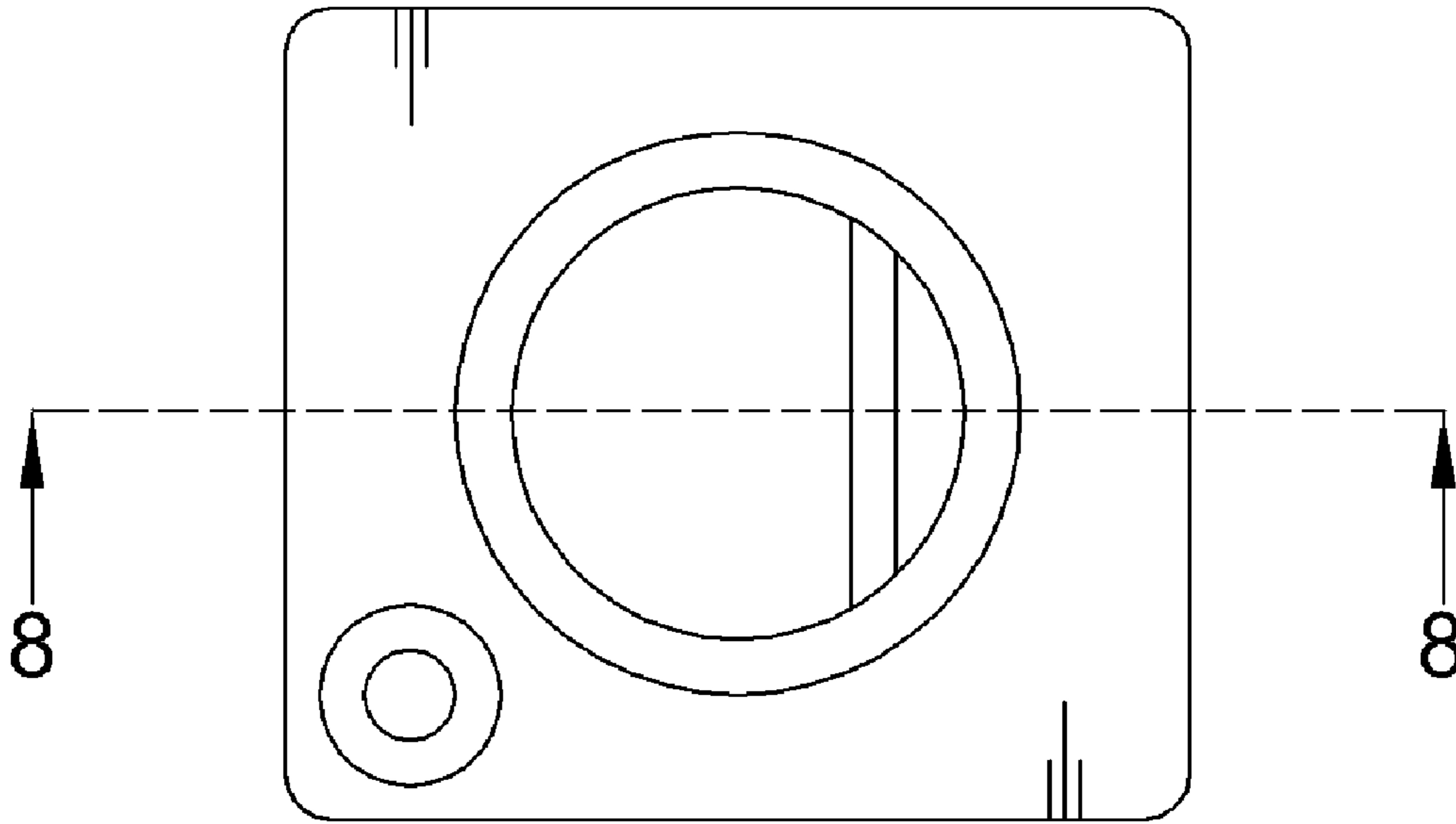


FIG. 6

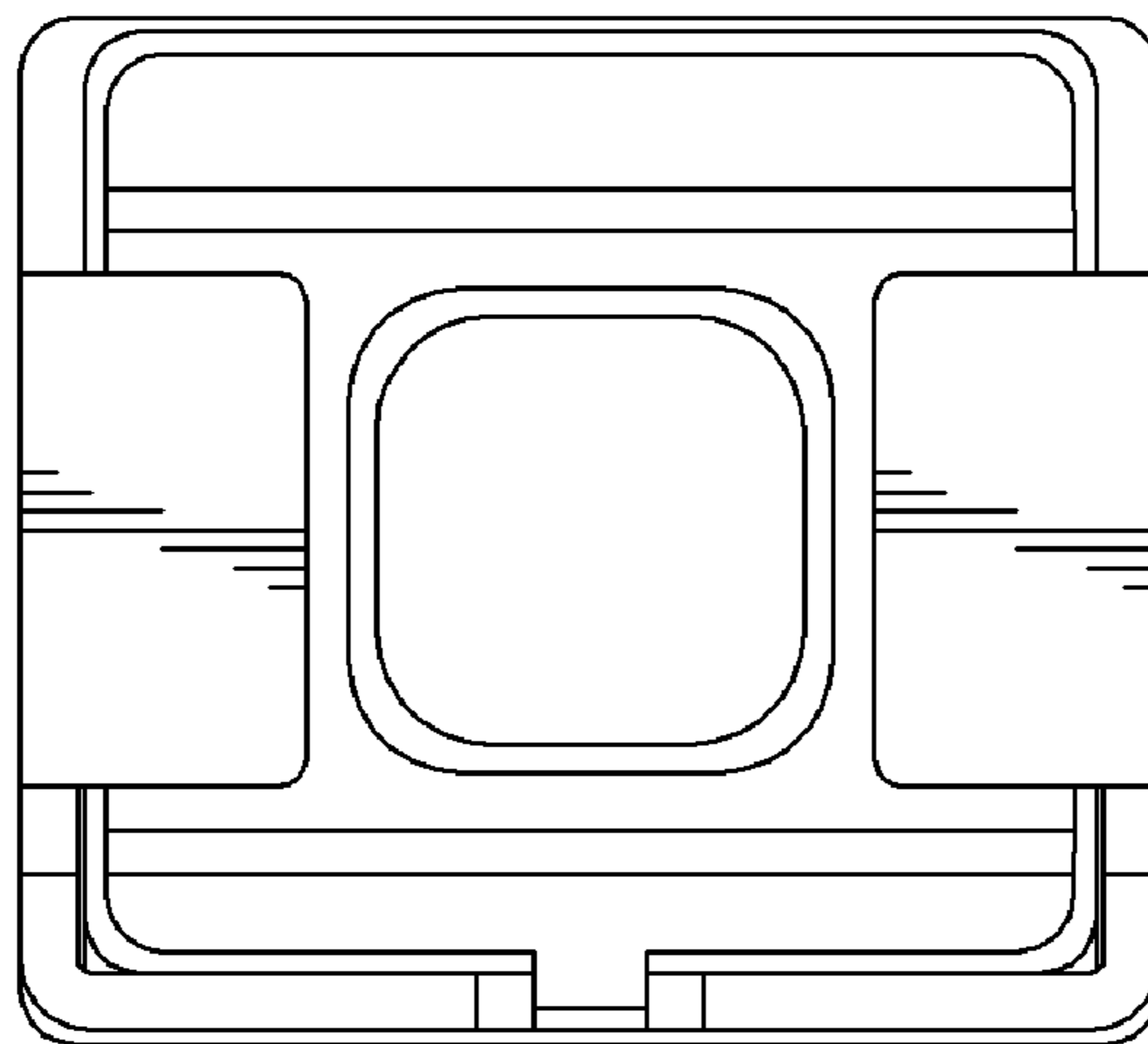


FIG. 7

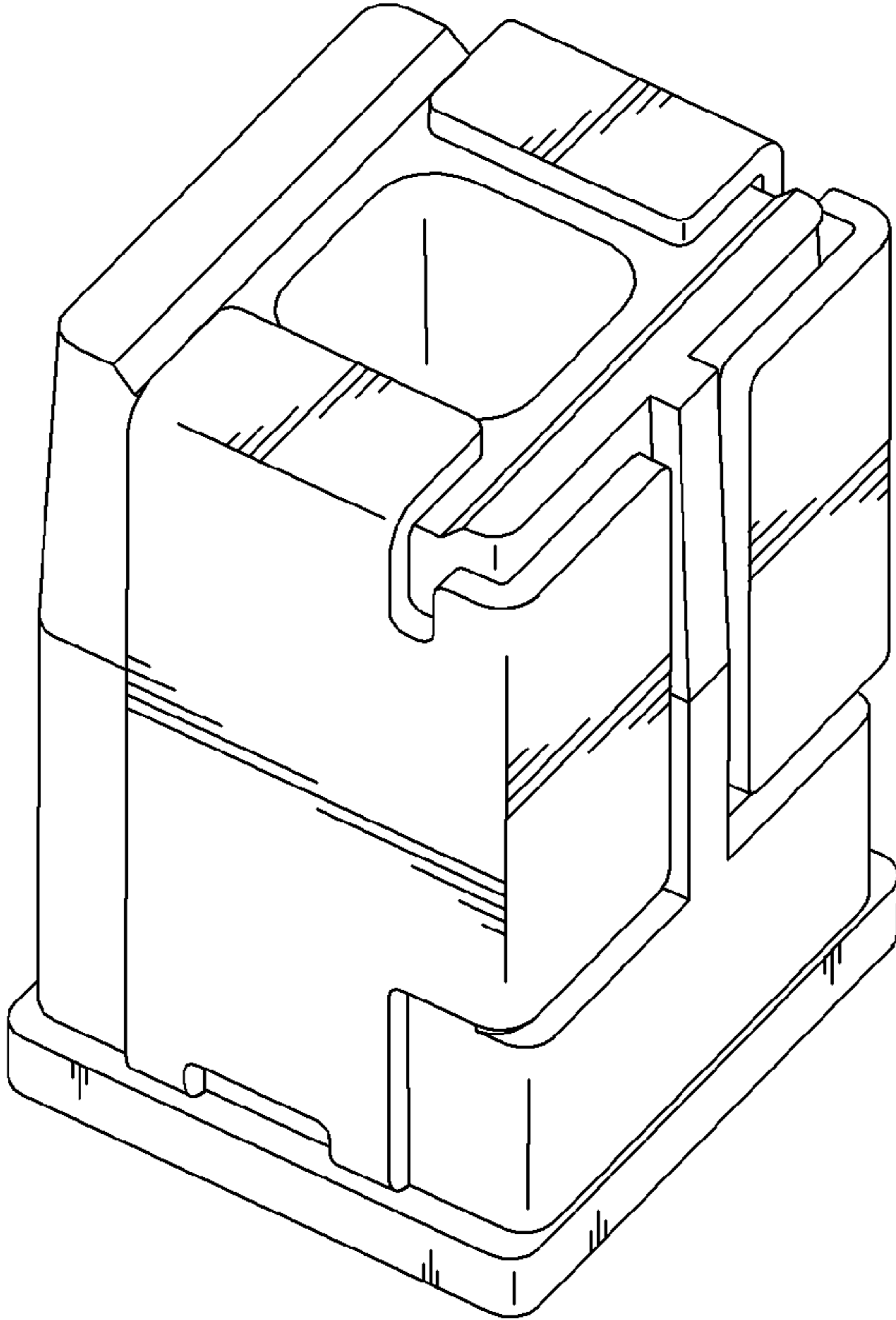


FIG. 8

