



US00D605610S

(12) **United States Design Patent**
Han et al.

(10) **Patent No.:** **US D605,610 S**
(45) **Date of Patent:** **** Dec. 8, 2009**

(54) **LIGHT EMITTING DIODE**

2007/0029564 A1* 2/2007 Han et al. 257/98

(75) Inventors: **Jeong A. Han**, Ansan-si (KR); **Ji Seop So**, Ansan-si (KR)

(73) Assignee: **Seoul Semiconductor Co., Ltd.**, Seoul (KR)

(**) Term: **14 Years**

(21) Appl. No.: **29/328,394**

(22) Filed: **Nov. 24, 2008**

(30) **Foreign Application Priority Data**

May 22, 2008 (KR) 30-2008-0021584

(51) **LOC (9) Cl.** **13-03**

(52) **U.S. Cl.** **D13/180**

(58) **Field of Classification Search** D13/180;
D26/2; 257/79, 80, 81, 88, 89, 95, 98, 99,
257/100; 313/483, 498, 500; 362/555, 800
See application file for complete search history.

(56) **References Cited**

U.S. PATENT DOCUMENTS

D490,783 S * 6/2004 Ishida D13/180
D590,783 S * 4/2009 Oon et al. D13/180
D595,673 S * 7/2009 Hussell et al. D13/180
2006/0023451 A1* 2/2006 Han et al. 362/249

FOREIGN PATENT DOCUMENTS

KR 300436628 1/2007
KR 300436628-0001 3/2007
KR 300436628-0002 5/2007
KR 300470665 11/2007
KR 300471513 11/2007

* cited by examiner

Primary Examiner—Selina Sikder

(74) *Attorney, Agent, or Firm*—H.C. Park & Associates, PLC

(57) **CLAIM**

The ornamental design for a light emitting diode, as shown and described.

DESCRIPTION

FIG. 1 is a perspective view of a light emitting diode;
FIG. 2 is a front elevational view thereof;
FIG. 3 is a rear elevational view thereof;
FIG. 4 is a left side elevational view thereof;
FIG. 5 is a top plan view thereof;
FIG. 6 is a bottom plan view thereof; and,
FIG. 7 is a reference perspective view of LED from top sight of FIG. 1.

1 Claim, 3 Drawing Sheets

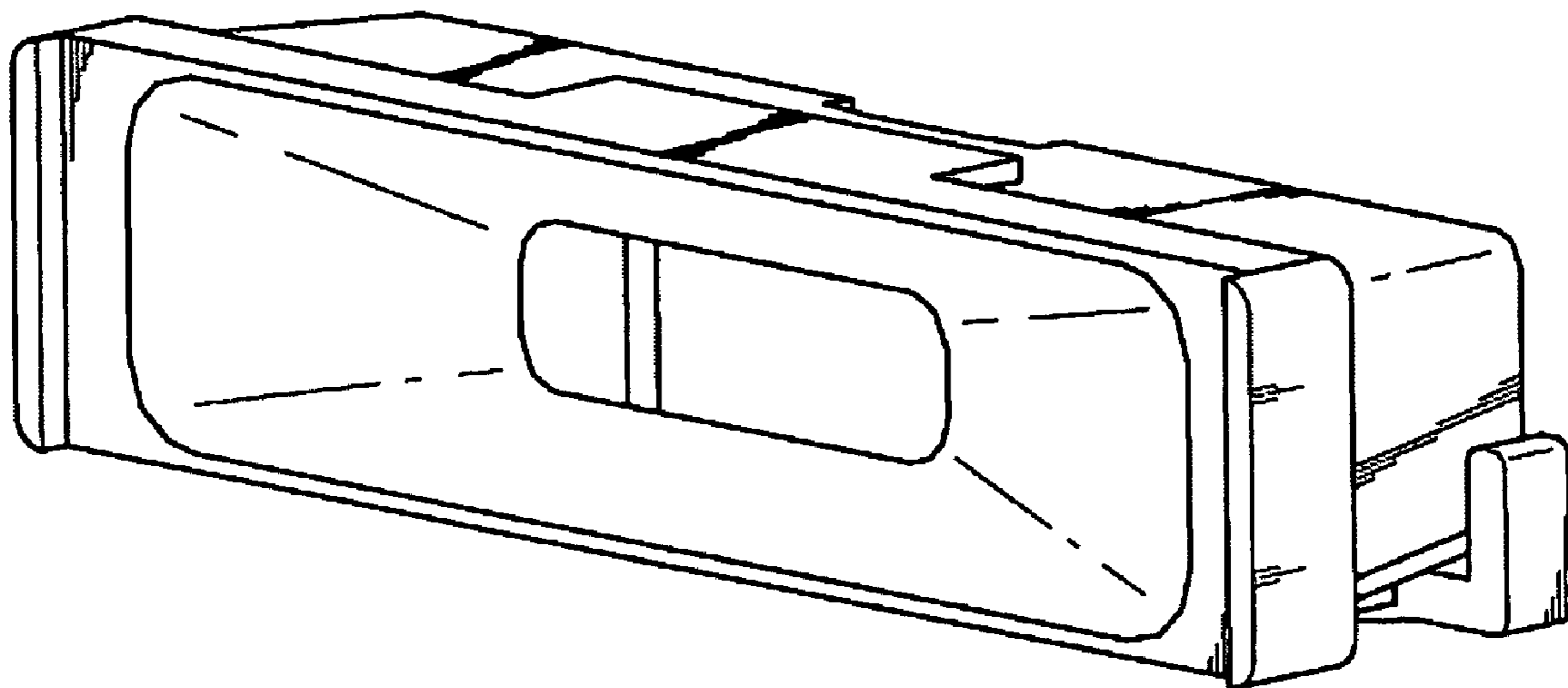


Fig. 1

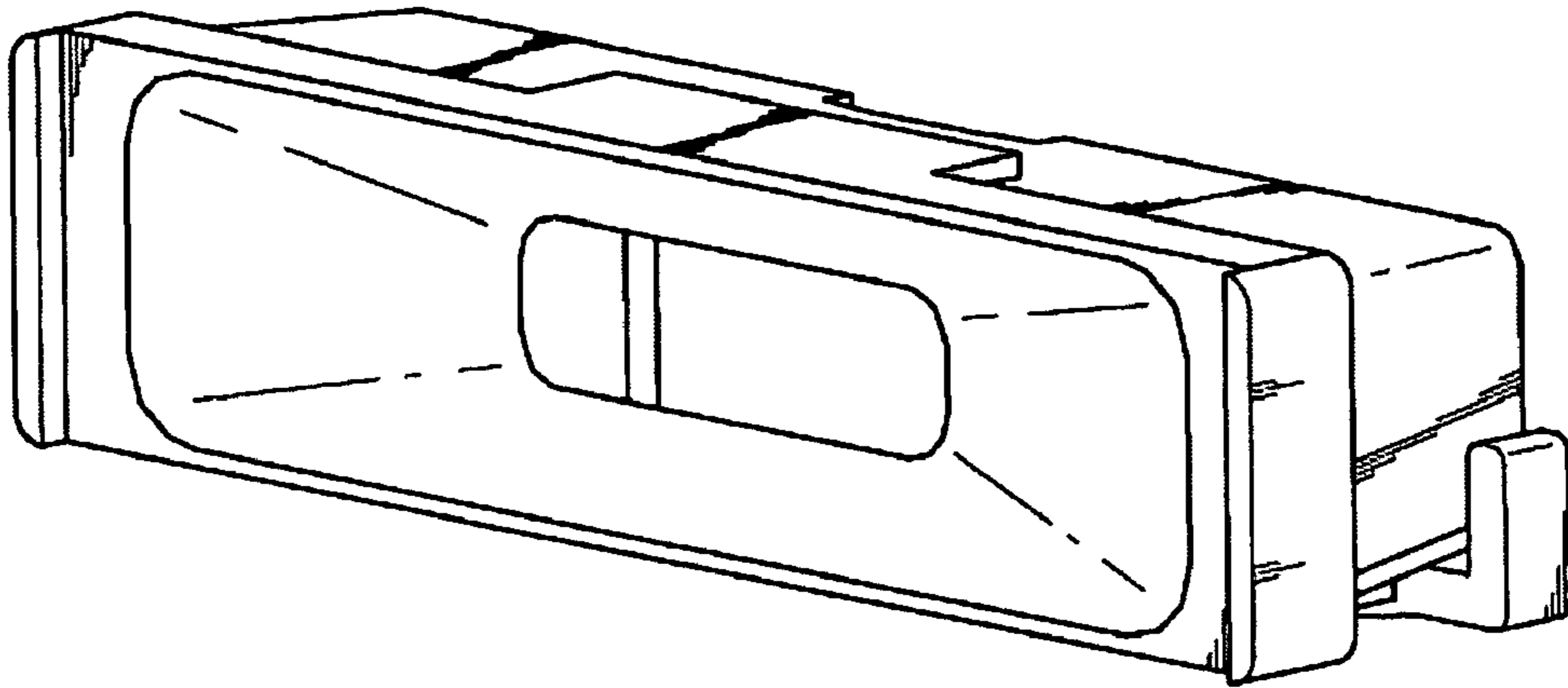


Fig. 2

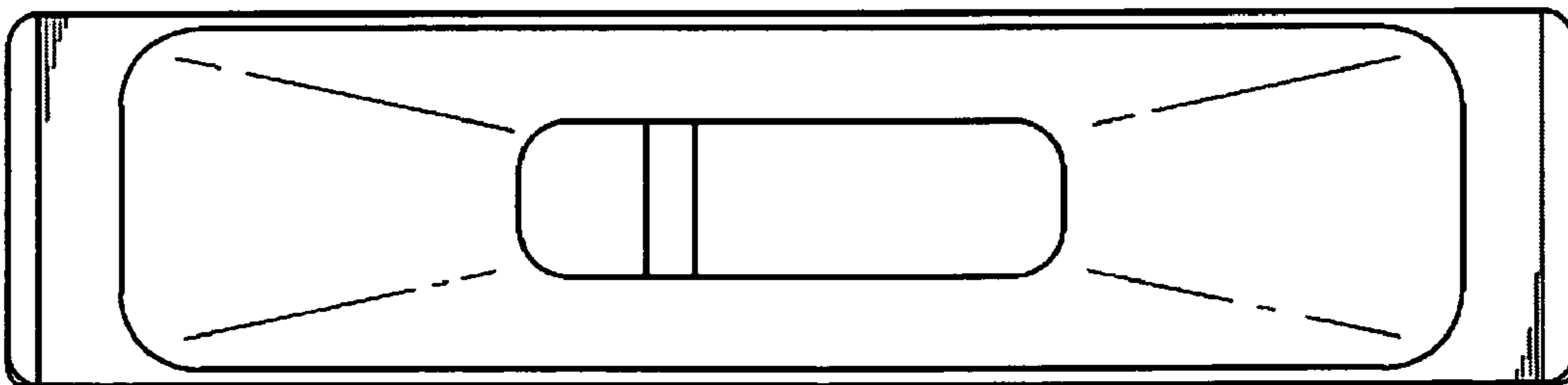


Fig. 3

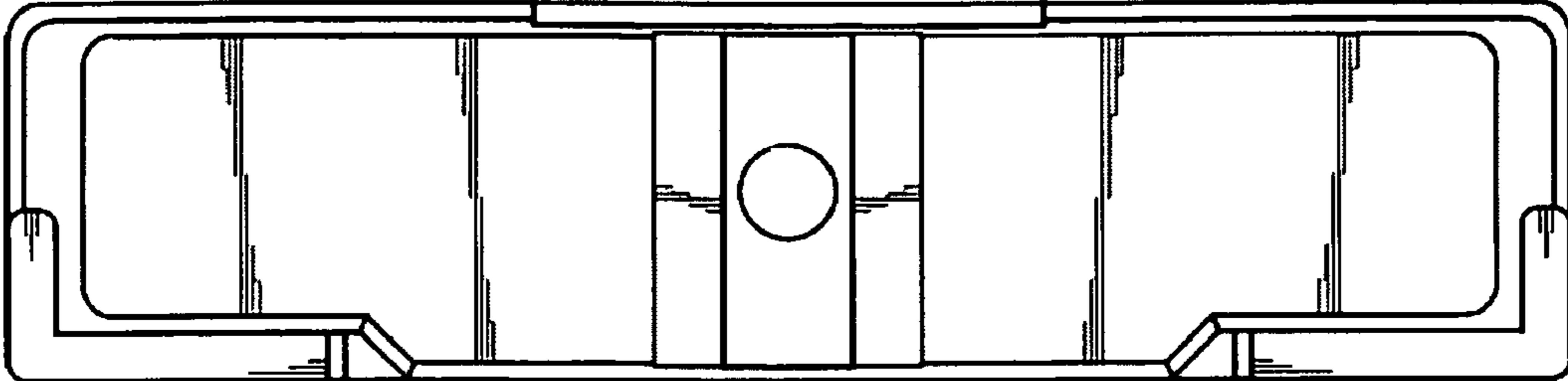


Fig. 4

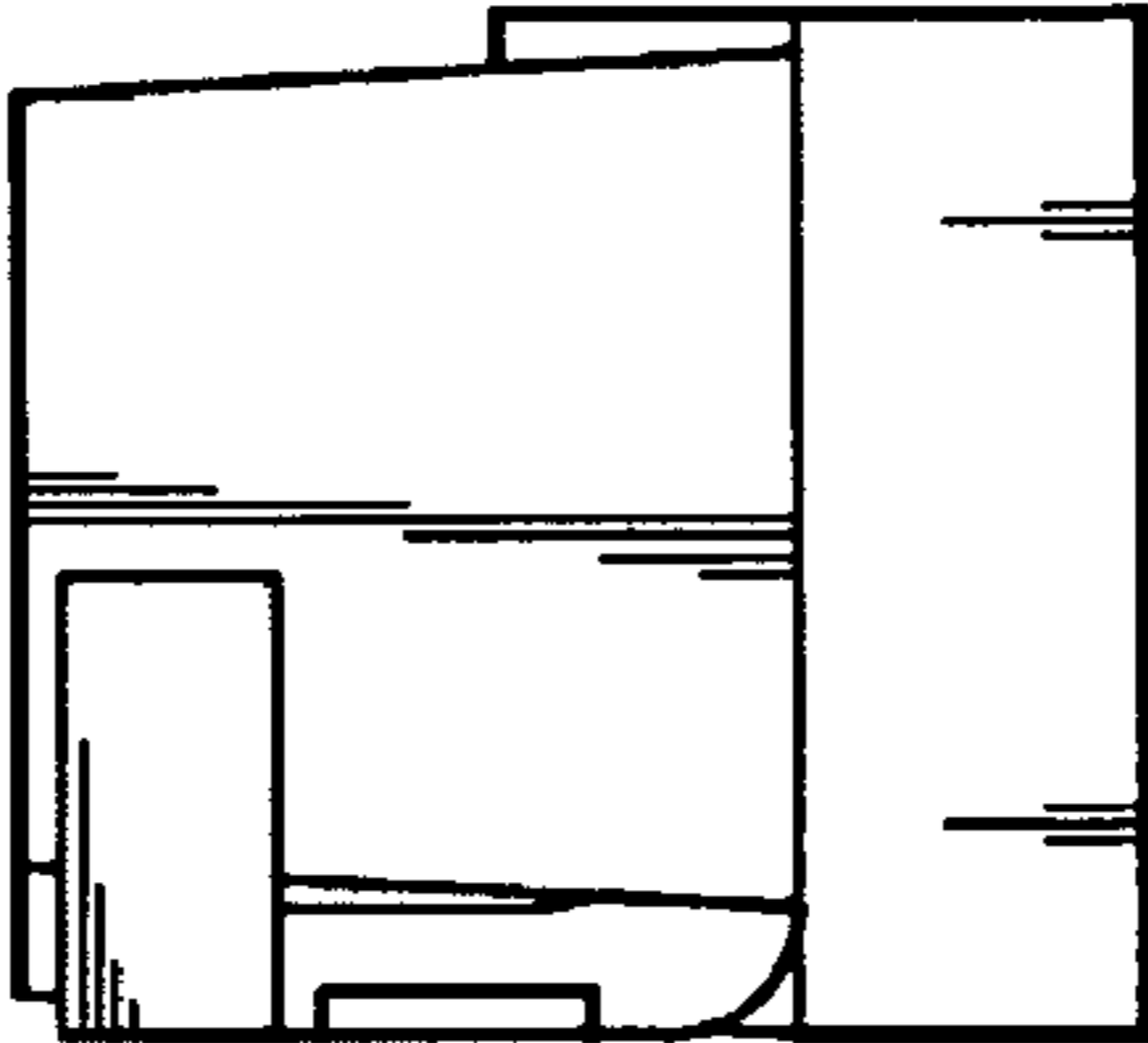


Fig. 5

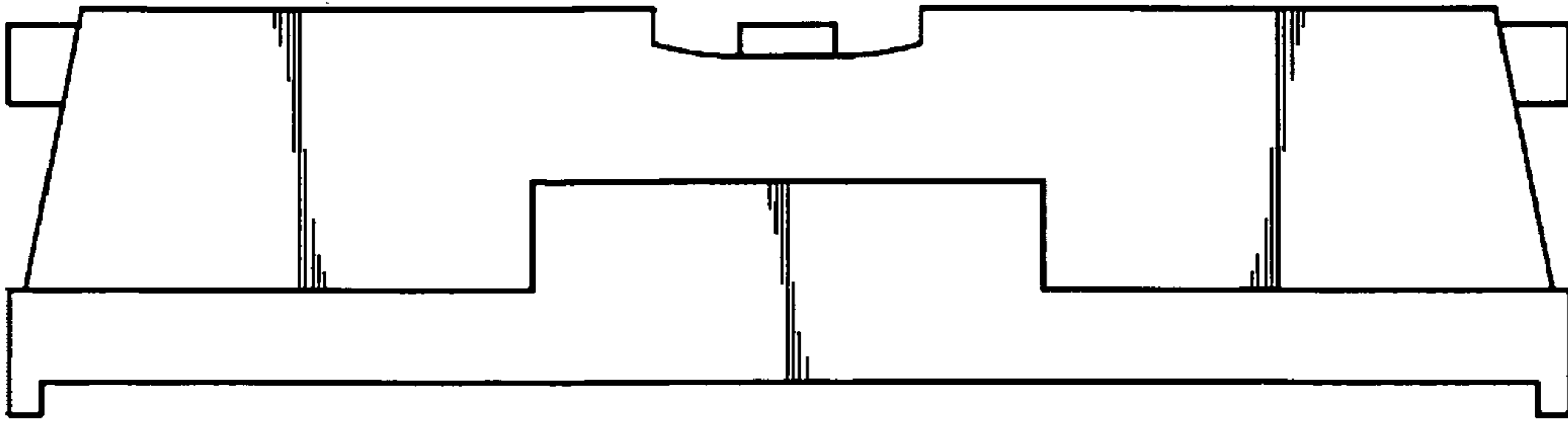


Fig. 6

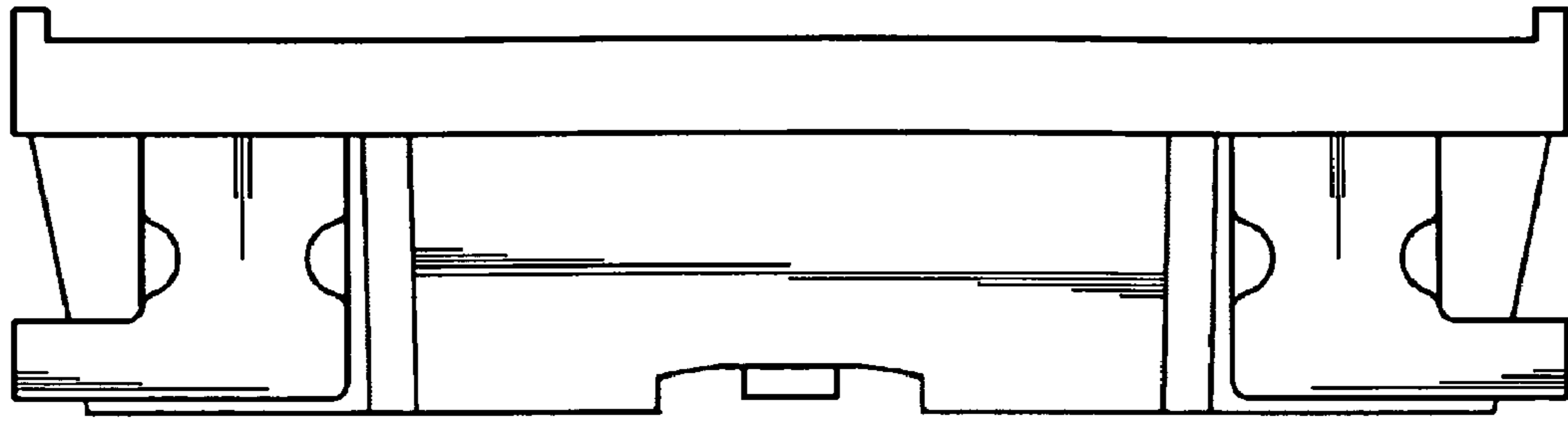


Fig. 7

