



US00D605606S

(12) **United States Design Patent**
Zheng

(10) **Patent No.:** **US D605,606 S**

(45) **Date of Patent:** **** Dec. 8, 2009**

(54) **KEYED EMERGENCY STOP SWITCH**

(75) Inventor: **Chun Kai Zheng**, Yueqing (CN)

(73) Assignee: **Zhejiang Kedu Electric Mfg. Co. Ltd**,
Yueqing (CN)

(**) Term: **14 Years**

(21) Appl. No.: **29/318,172**

(22) Filed: **May 15, 2008**

(51) **LOC (9) Cl.** **13-03**

(52) **U.S. Cl.** **D13/171**

(58) **Field of Classification Search** D13/158,
D13/168, 169, 170, 171, 173, 174, 184, 199;
200/310, 314, 329, 4, 406, 524, 530, 532,
200/535, 536, 6, 6 A, 81 R; D14/247
See application file for complete search history.

(56) **References Cited**

U.S. PATENT DOCUMENTS

5,079,530 A * 1/1992 Tsuchiyama 335/17
5,723,833 A * 3/1998 Thrasher 200/50.12
6,069,327 A * 5/2000 Ushimaru 200/5 R
D447,123 S * 8/2001 Winkler D13/158
D512,692 S * 12/2005 Beaton D13/177

D533,842 S * 12/2006 Tohyama et al. D13/158
D559,794 S * 1/2008 Kato et al. D13/171
2003/0234169 A1 * 12/2003 Iwakiri 200/341
2009/0126430 A1 * 5/2009 Zheng 70/455
2009/0126431 A1 * 5/2009 Zheng 70/455

* cited by examiner

Primary Examiner—Daniel D Bui

Assistant Examiner—Thomas J Johannes

(74) *Attorney, Agent, or Firm*—Brian D. Smith, P.C.

(57) **CLAIM**

The ornamental design for the keyed emergency stop switch,
as shown and described.

DESCRIPTION

FIG. 1 is a perspective view of a keyed emergency stop
switch, showing my new design;

FIG. 2 is a front view of the design of FIG. 1;

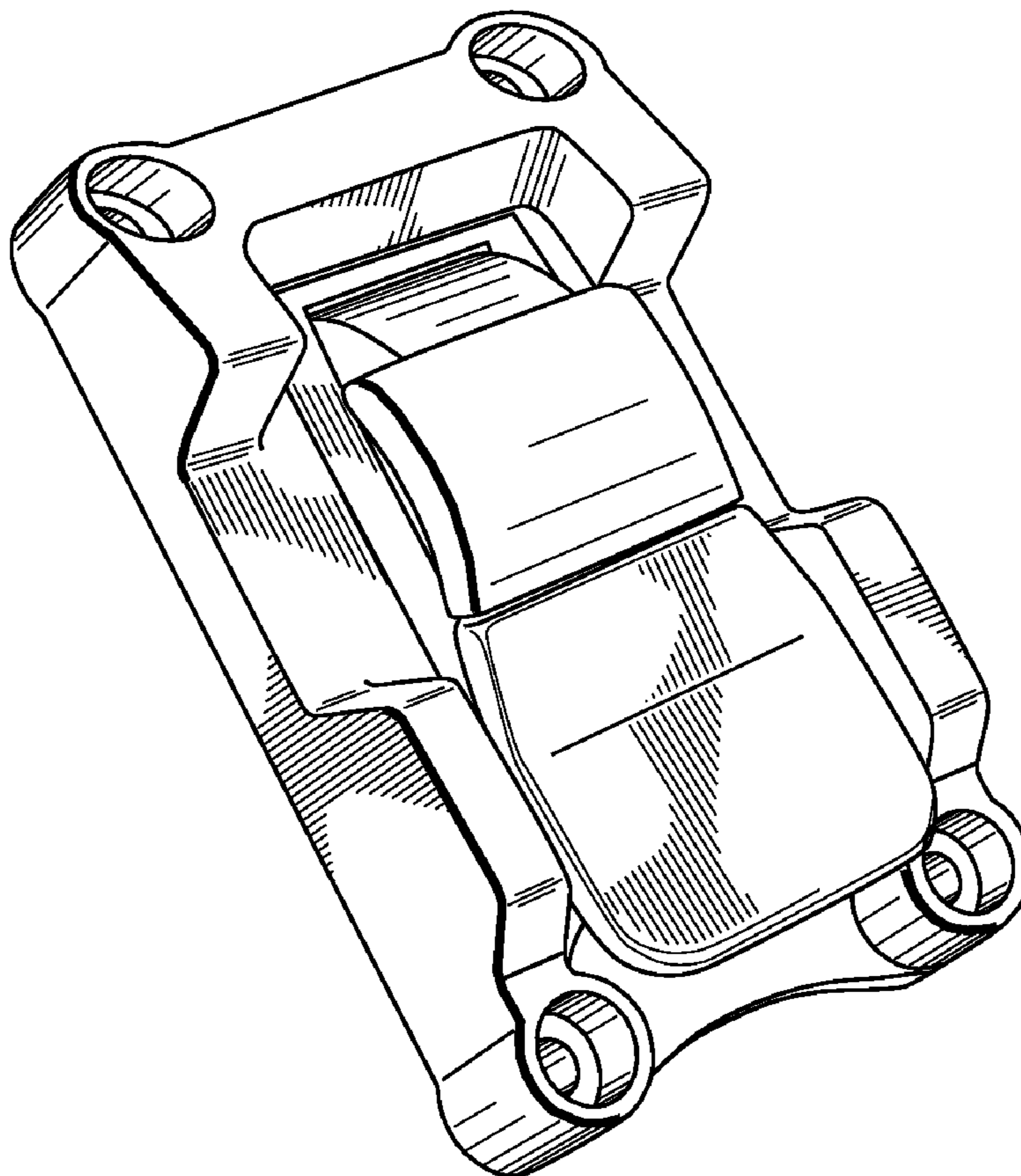
FIG. 3 is a rear view of the design of FIG. 1;

FIG. 4 is a left side elevational view of the design of FIG. 1;

FIG. 5 is a right side elevational view of the design of FIG. 1;
and,

FIG. 6 is a top plan view of the design of FIG. 1.

1 Claim, 2 Drawing Sheets



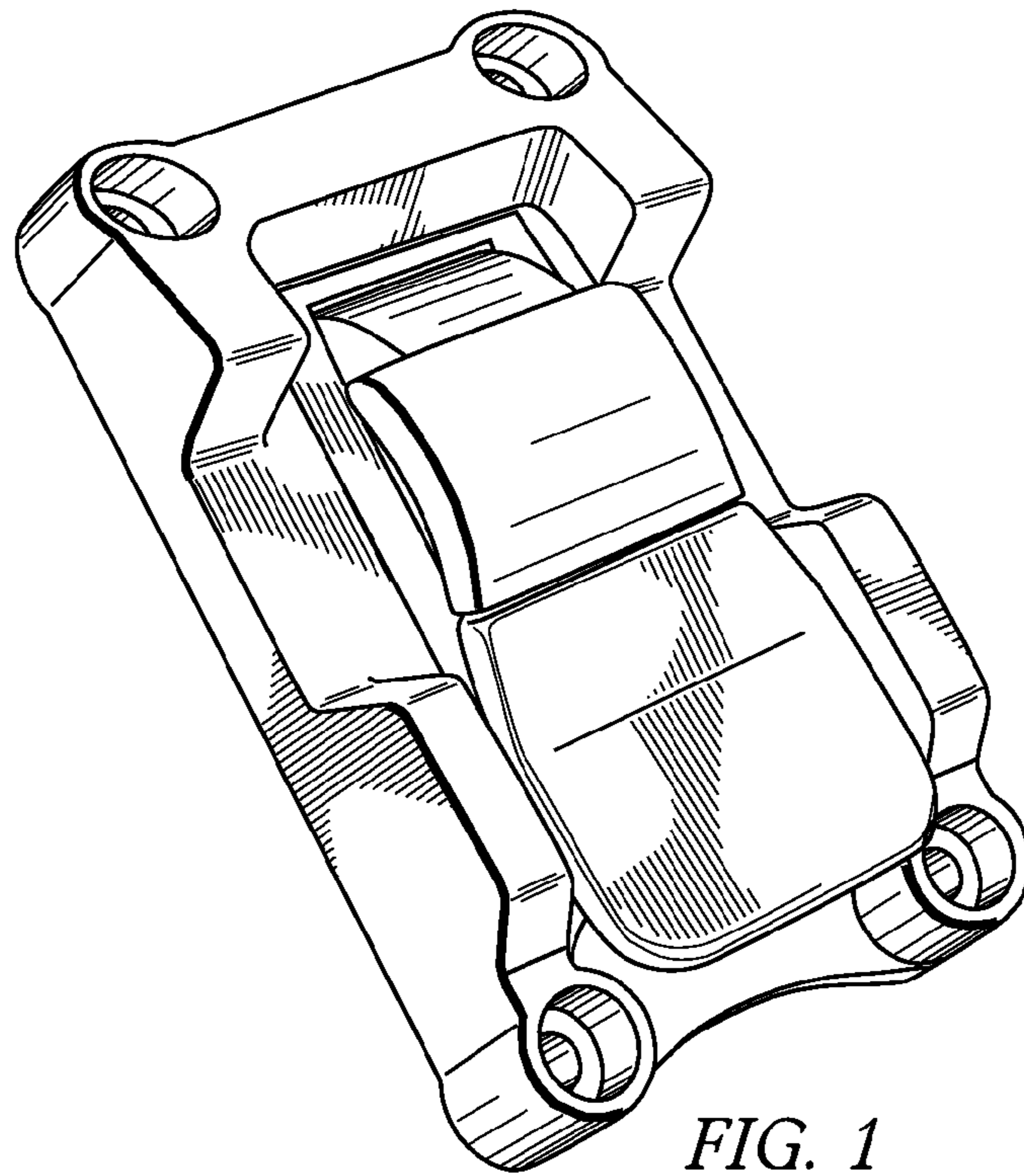


FIG. 1

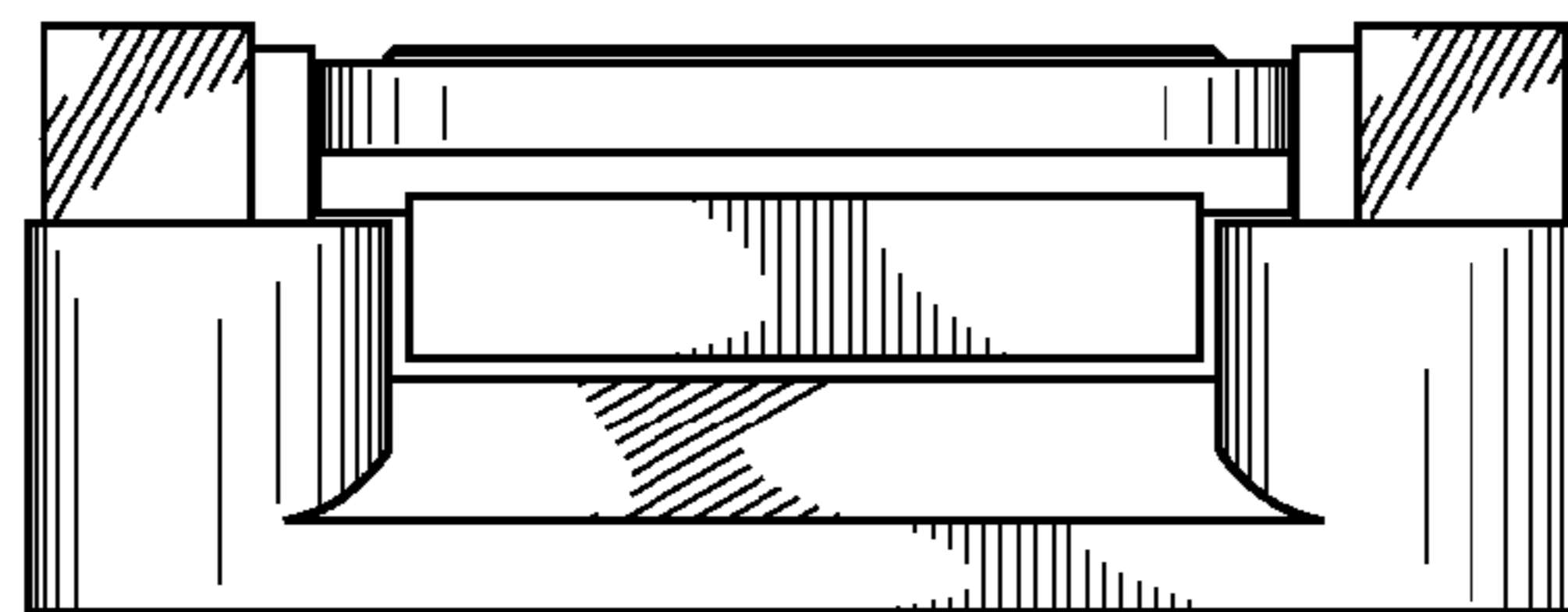


FIG. 2

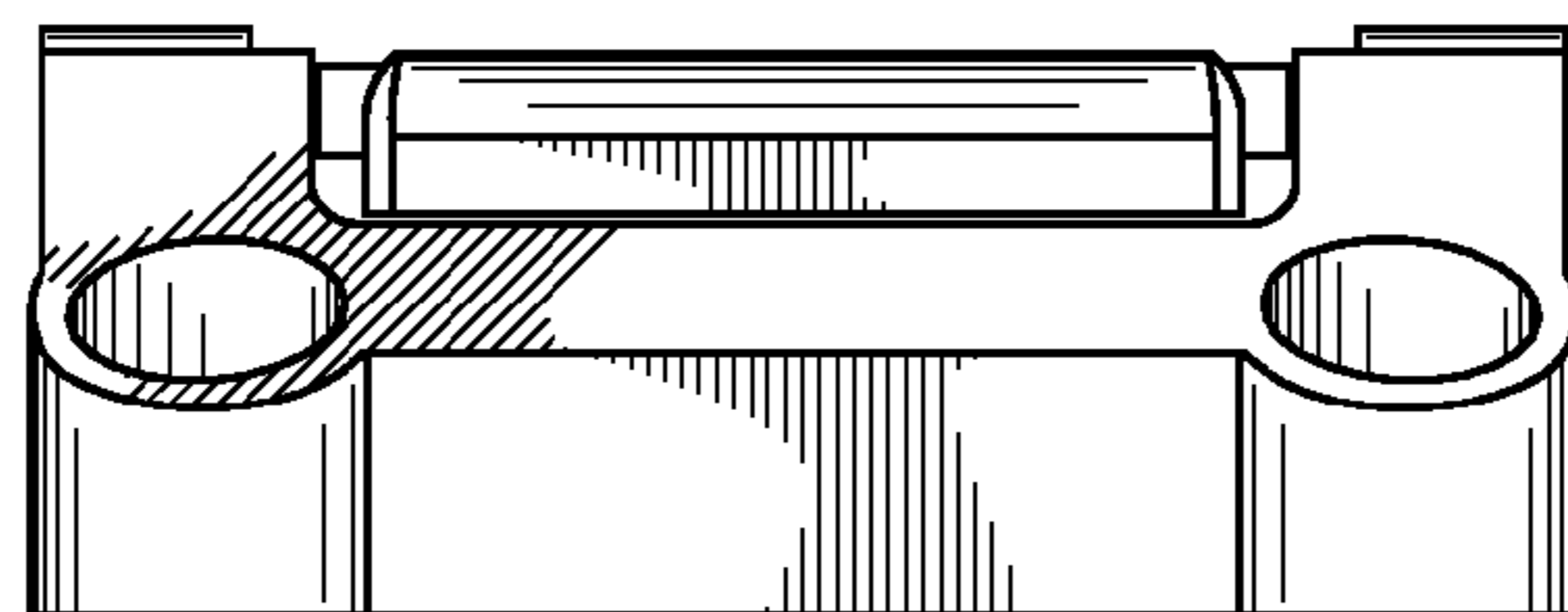


FIG. 3

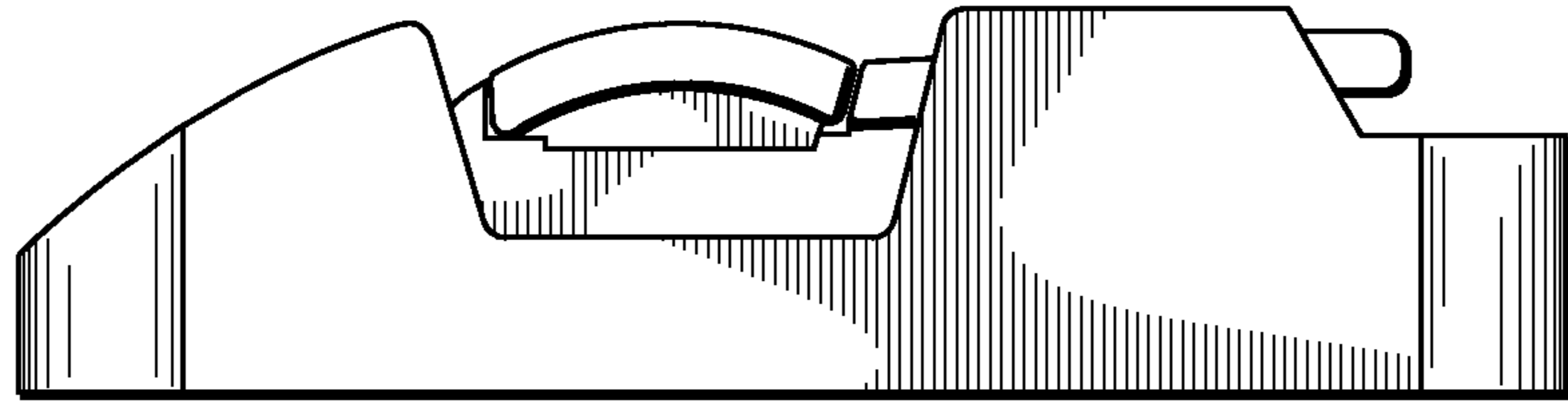


FIG. 4

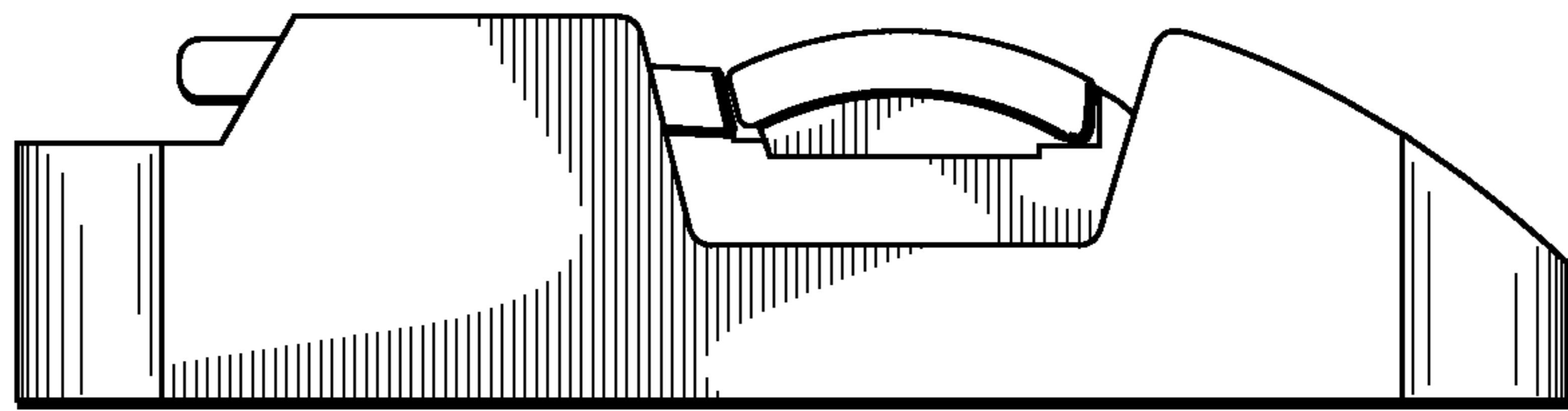


FIG. 5

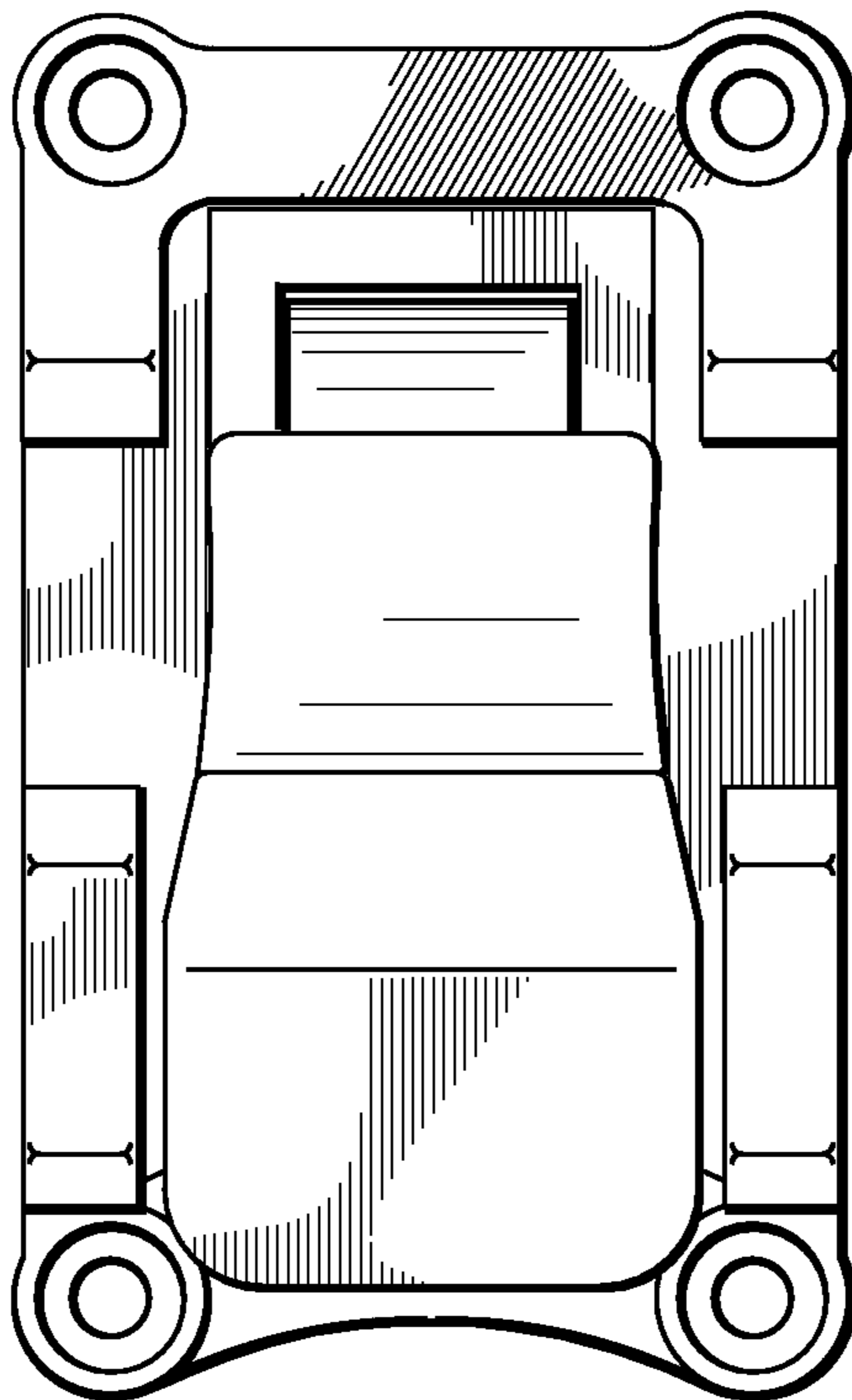


FIG. 6