



US00D605604S

(12) **United States Design Patent**  
**El-Kiss**

(10) **Patent No.:** **US D605,604 S**  
(45) **Date of Patent:** **\*\* Dec. 8, 2009**

(54) **ELECTRONICS HOUSING**

D493,162 S \* 7/2004 Amiya ..... D14/217

(75) Inventor: **Avi El-Kiss**, Valley Village, CA (US)

\* cited by examiner

(73) Assignee: **ETI Sound Systems, Inc.**, Huntington Park, CA (US)

*Primary Examiner*—Daniel D Bui

*Assistant Examiner*—Thomas J Johannes

(74) *Attorney, Agent, or Firm*—Michael Blaine Brooks, P.C.; Michael Blaine Brooks

(\*\*) Term: **14 Years**

(21) Appl. No.: **29/304,109**

(57) **CLAIM**

(22) Filed: **Feb. 25, 2008**

I claim the ornamental design for electronics housing, as shown and described.

(51) **LOC (9) Cl.** ..... **13-03**

(52) **U.S. Cl.** ..... **D13/163; D13/173**

(58) **Field of Classification Search** ..... D13/162, D13/163, 164, 168, 173, 174, 177, 184, 199; D14/162, 168, 217, 257; D15/7-9.2; D21/242; 200/5 A, 5 R; 379/202; 381/119  
See application file for complete search history.

**DESCRIPTION**

FIG. 1 is a front-top-right perspective view of the electronics housing;

FIG. 2 is a front-top-left perspective view thereof;

FIG. 3 is a top plan view thereof;

FIG. 4 is a bottom plan view thereof;

FIG. 5 is a front elevational view thereof;

FIG. 6 is a back elevational view thereof;

FIG. 7 is a right elevational view thereof; and,

FIG. 8 is a left elevational view thereof.

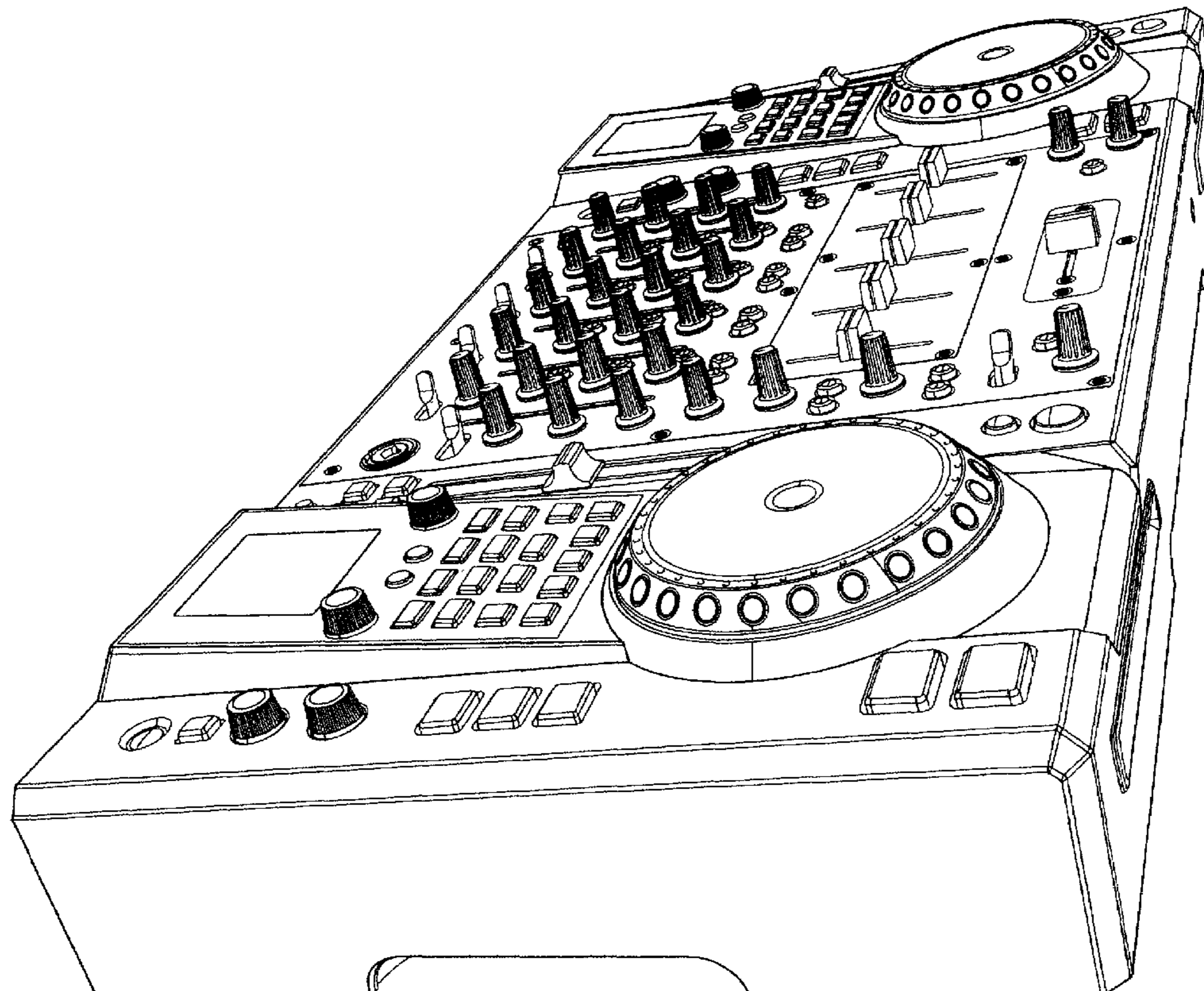
The broken line portion of the figure drawings is included to show unclaimed subject matter only and forms no part of the claimed design.

(56) **References Cited**

**U.S. PATENT DOCUMENTS**

- D326,454 S \* 5/1992 Ito et al. .... D14/162
- D366,822 S \* 2/1996 Brooks et al. .... D8/330
- D384,356 S \* 9/1997 Ito et al. .... D14/217
- D400,877 S \* 11/1998 Miyazaki ..... D14/167
- D417,669 S \* 12/1999 Ito et al. .... D14/217
- D435,250 S \* 12/2000 Mackie et al. .... D14/217
- D491,554 S \* 6/2004 Amiya ..... D14/217

**1 Claim, 8 Drawing Sheets**



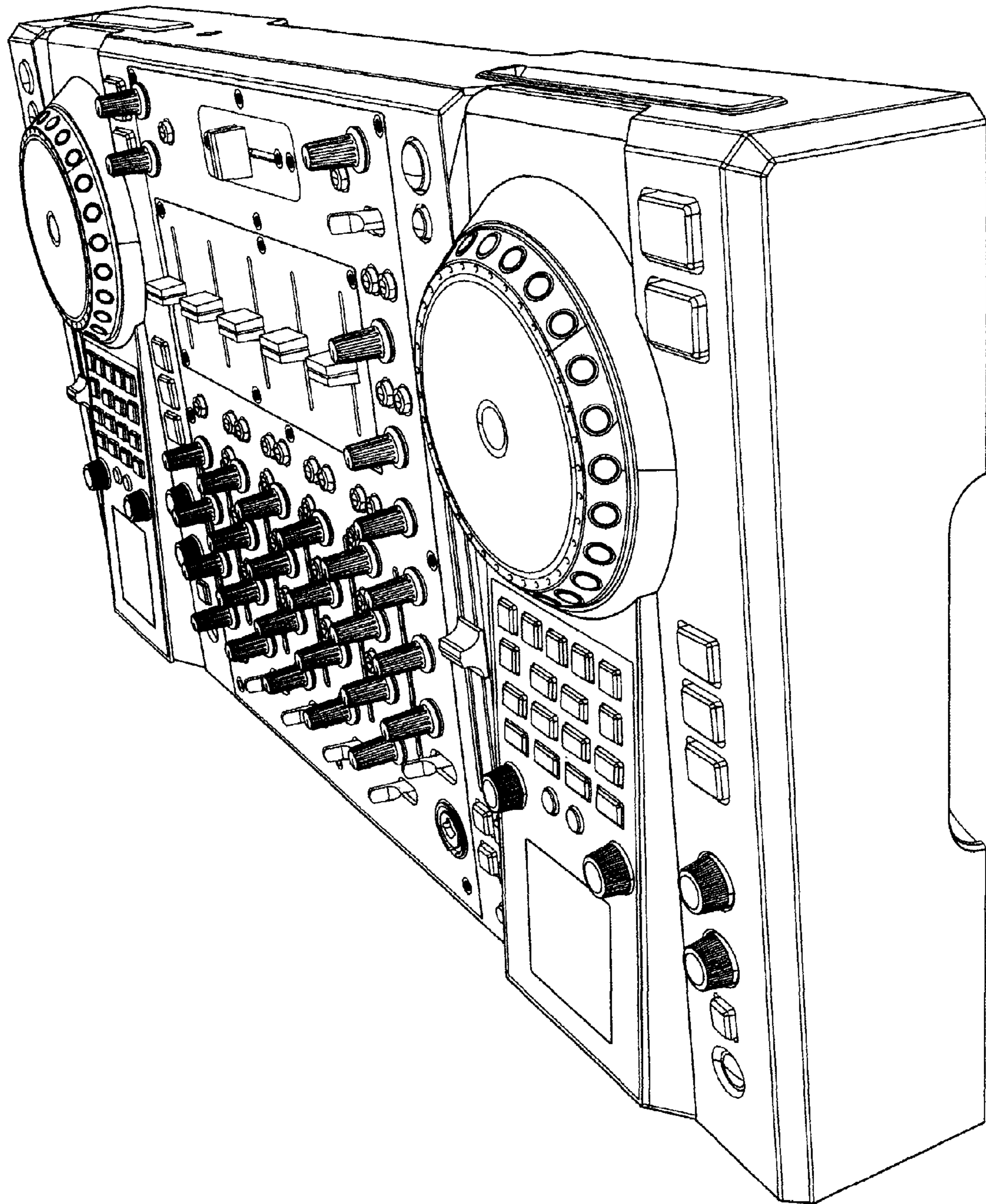


FIG. 1



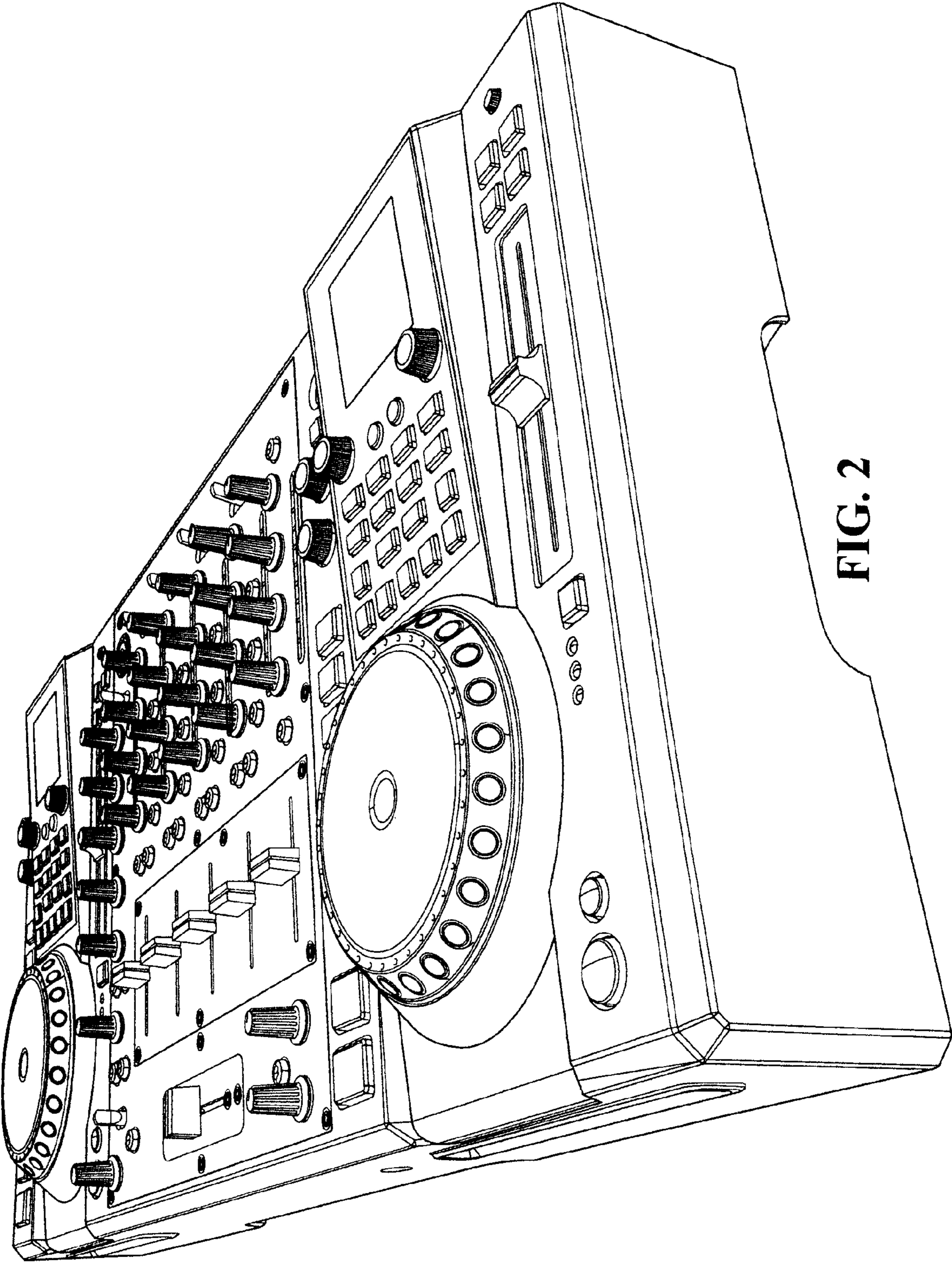


FIG. 2

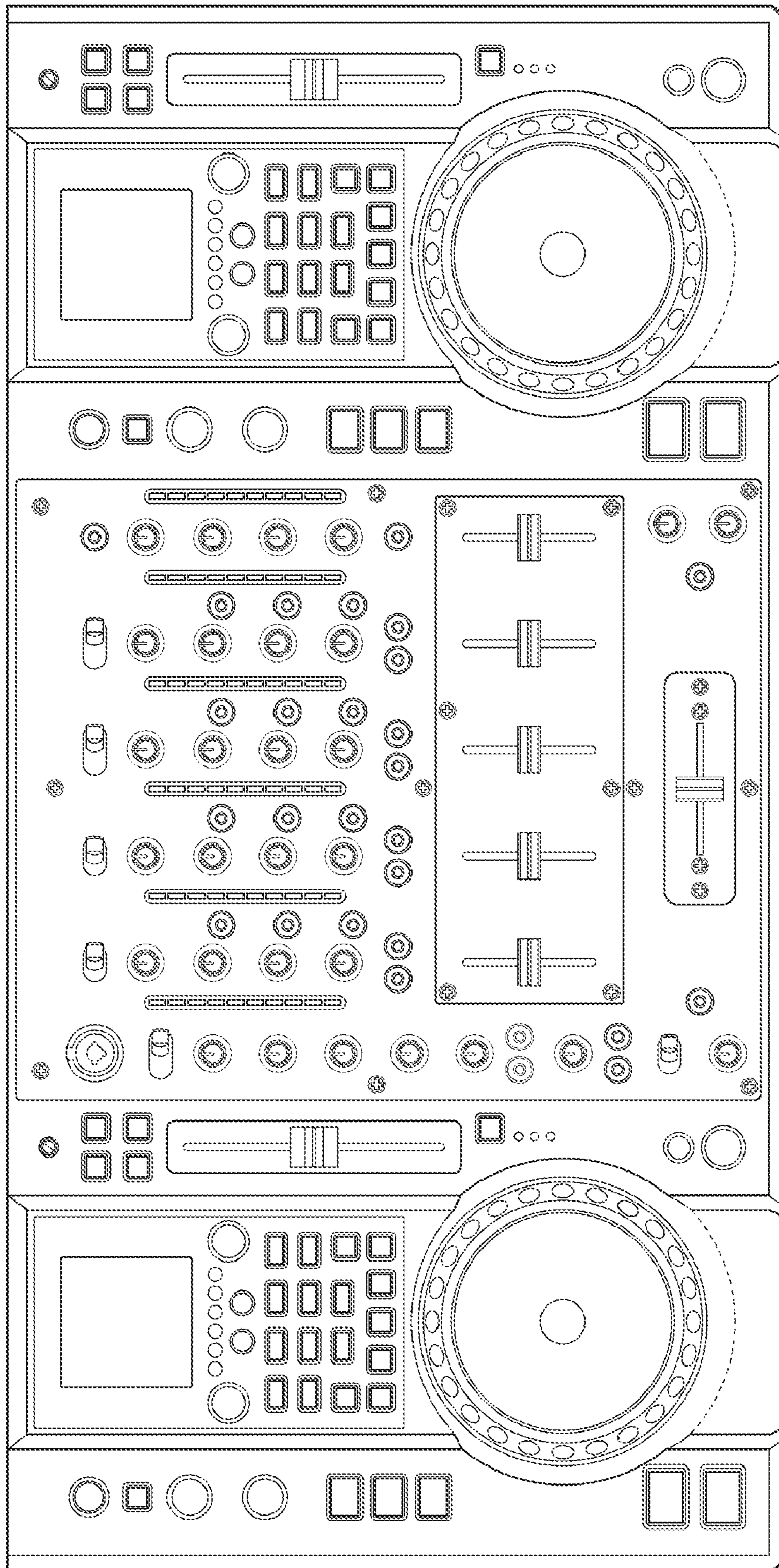


FIG. 3



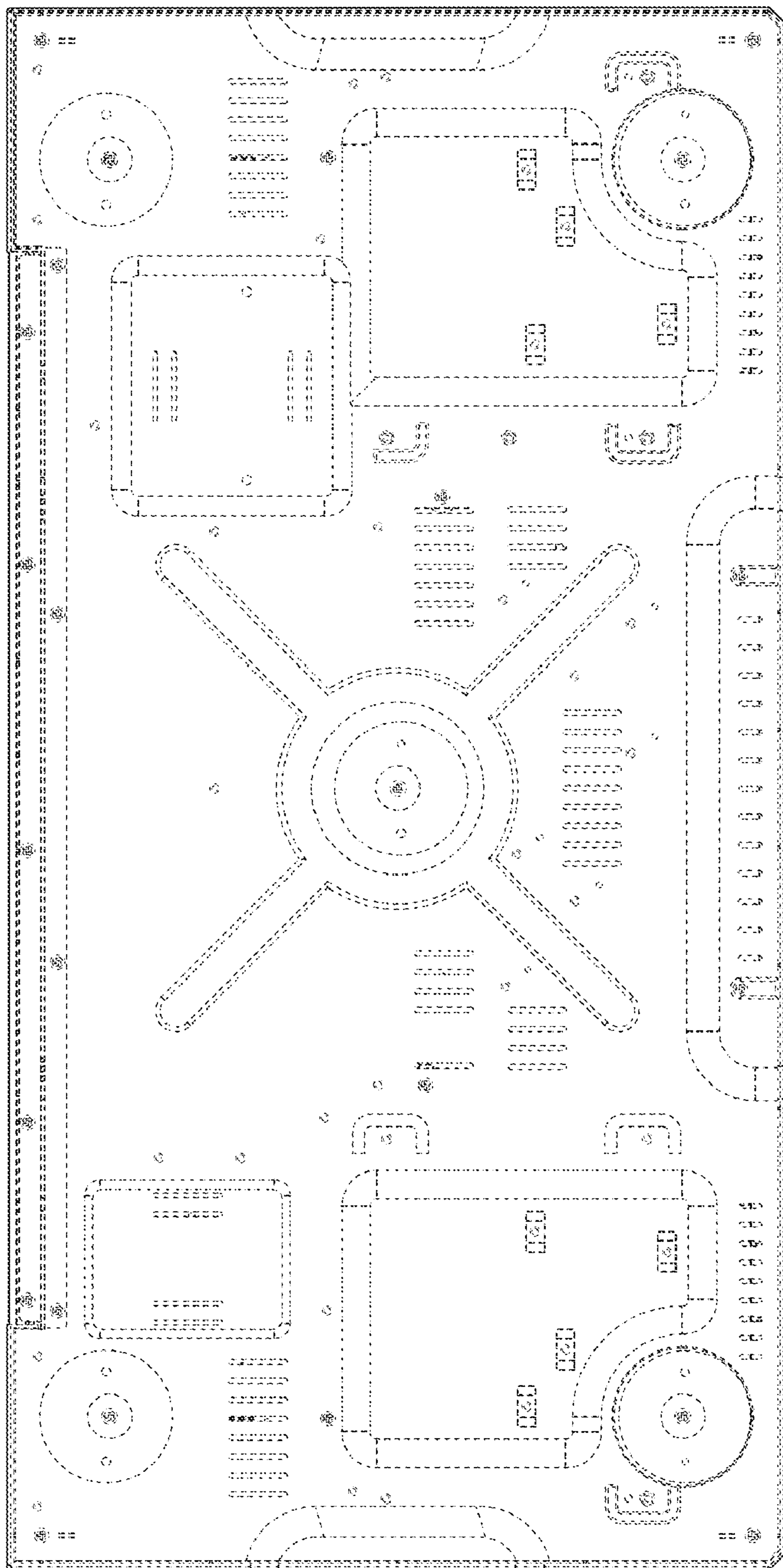


FIG. 4

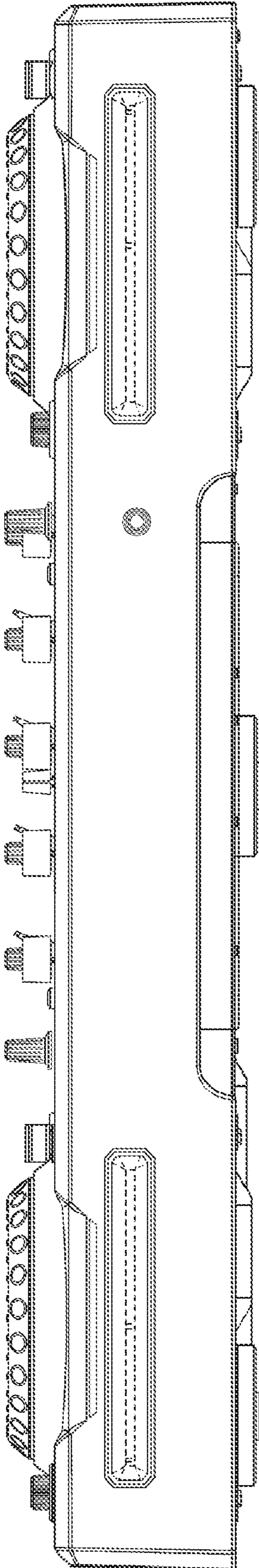


FIG. 5

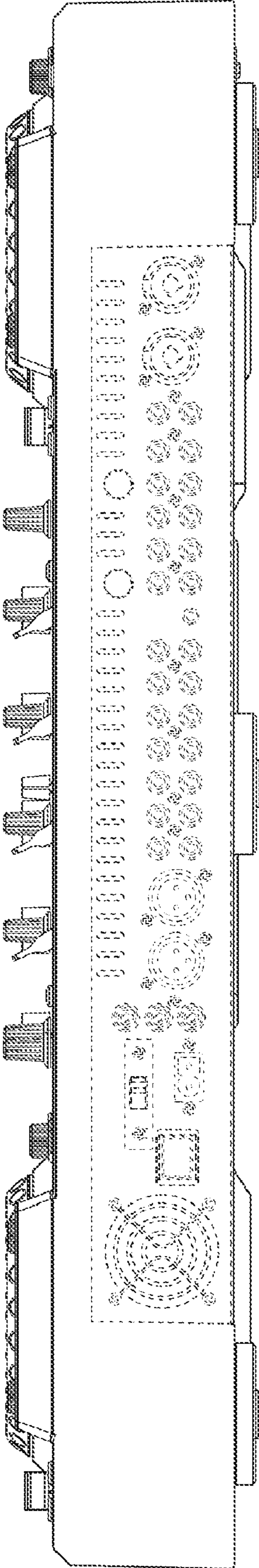


FIG. 6

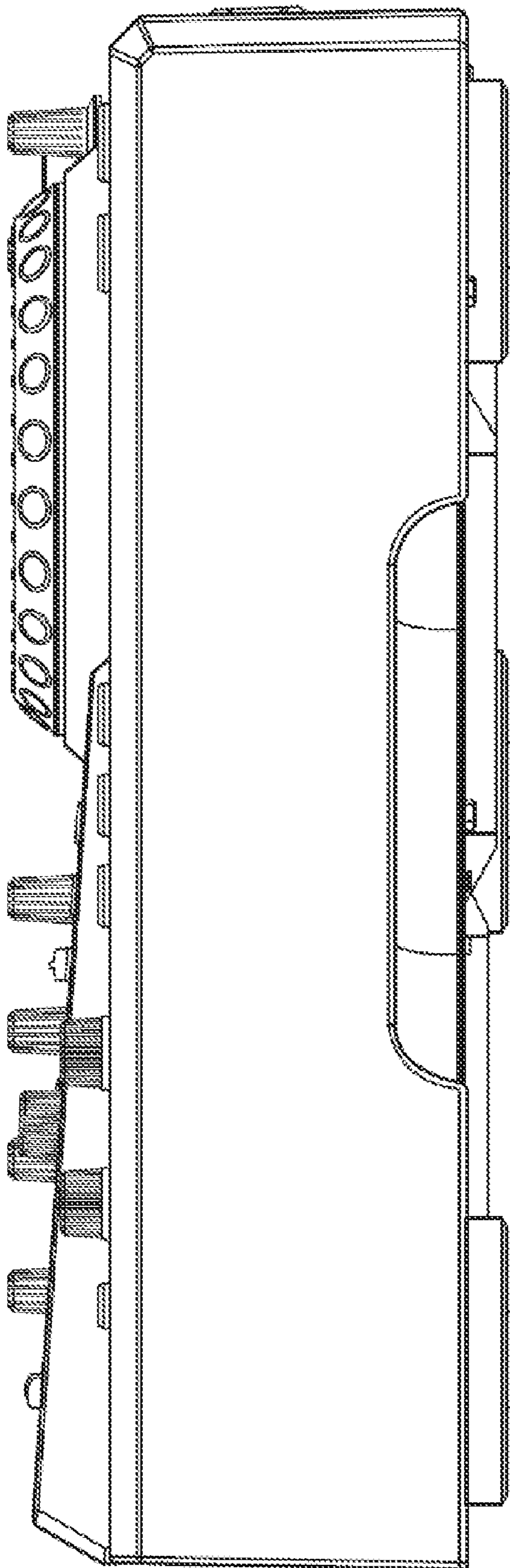


FIG. 7



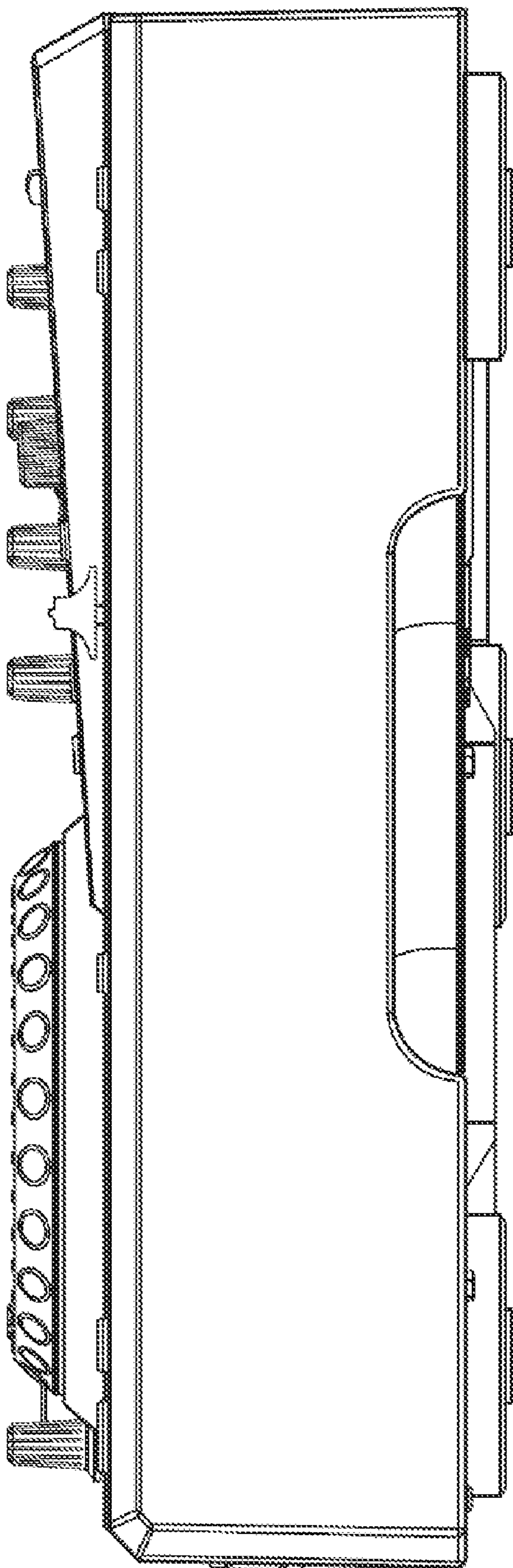


FIG. 8