



US00D605602S

(12) **United States Design Patent**
Mase

(10) **Patent No.:** **US D605,602 S**

(45) **Date of Patent:** **** Dec. 8, 2009**

(54) **ELECTRICAL CONNECTOR HOUSING**

(75) Inventor: **Tsuyoshi Mase**, Yokkaichi (JP)

(73) Assignee: **Sumitomo Wiring Systems, Ltd.**,
Yokkaichi-Shi, Mie-Ken (JP)

(**) Term: **14 Years**

(21) Appl. No.: **29/323,834**

(22) Filed: **Sep. 2, 2008**

(30) **Foreign Application Priority Data**

Mar. 7, 2008 (JP) D2008-005746

(51) **LOC (9) Cl.** **13-03**

(52) **U.S. Cl.** **D13/154; D13/147**

(58) **Field of Classification Search** D13/146-147,
D13/154, 184; 439/281, 282, 352-254, 357-358,
439/607-610, 680, 752

See application file for complete search history.

(56) **References Cited**

U.S. PATENT DOCUMENTS

D324,032 S * 2/1992 Sueyoshi et al. D13/147
5,575,672 A * 11/1996 Katsuma 439/157
6,123,574 A * 9/2000 Matsuda et al. 439/488
D472,524 S * 4/2003 Yamawaki et al. D13/147
D503,150 S * 3/2005 Yamawaki et al. D13/147

D522,459 S * 6/2006 Chen et al. D13/147
2005/0124218 A1 * 6/2005 Chen et al. 439/607

* cited by examiner

Primary Examiner—Daniel D Bui

(74) *Attorney, Agent, or Firm*—Sawyer Law Group, P.C.

(57) **CLAIM**

The ornamental design for an electrical connector housing, as shown.

DESCRIPTION

FIG. 1 is a perspective view of an electrical connector housing showing my new design;

FIG. 2 is a front view thereof;

FIG. 3 is a rear view thereof;

FIG. 4 is a top plan view thereof;

FIG. 5 is a bottom plan view thereof;

FIG. 6 is a right side view thereof;

FIG. 7 is a left side view thereof; and,

FIG. 8 is an enlarged cross-sectional view thereof taken along line 8—8 in FIG. 2.

The broken line portion of the figure drawings is included to show unclaimed subject matter only and forms no part of the claimed design.

1 Claim, 7 Drawing Sheets

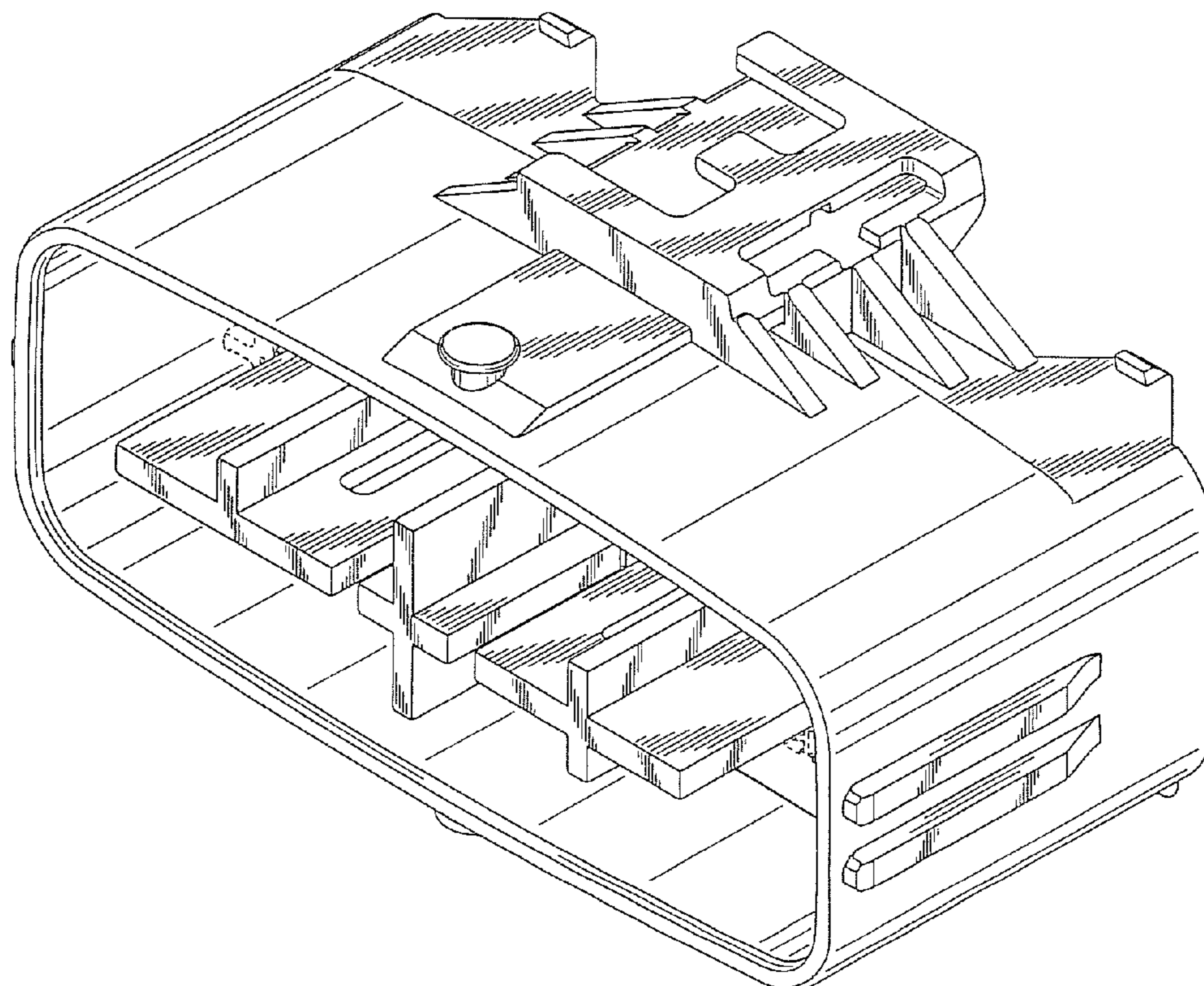


FIG. 1

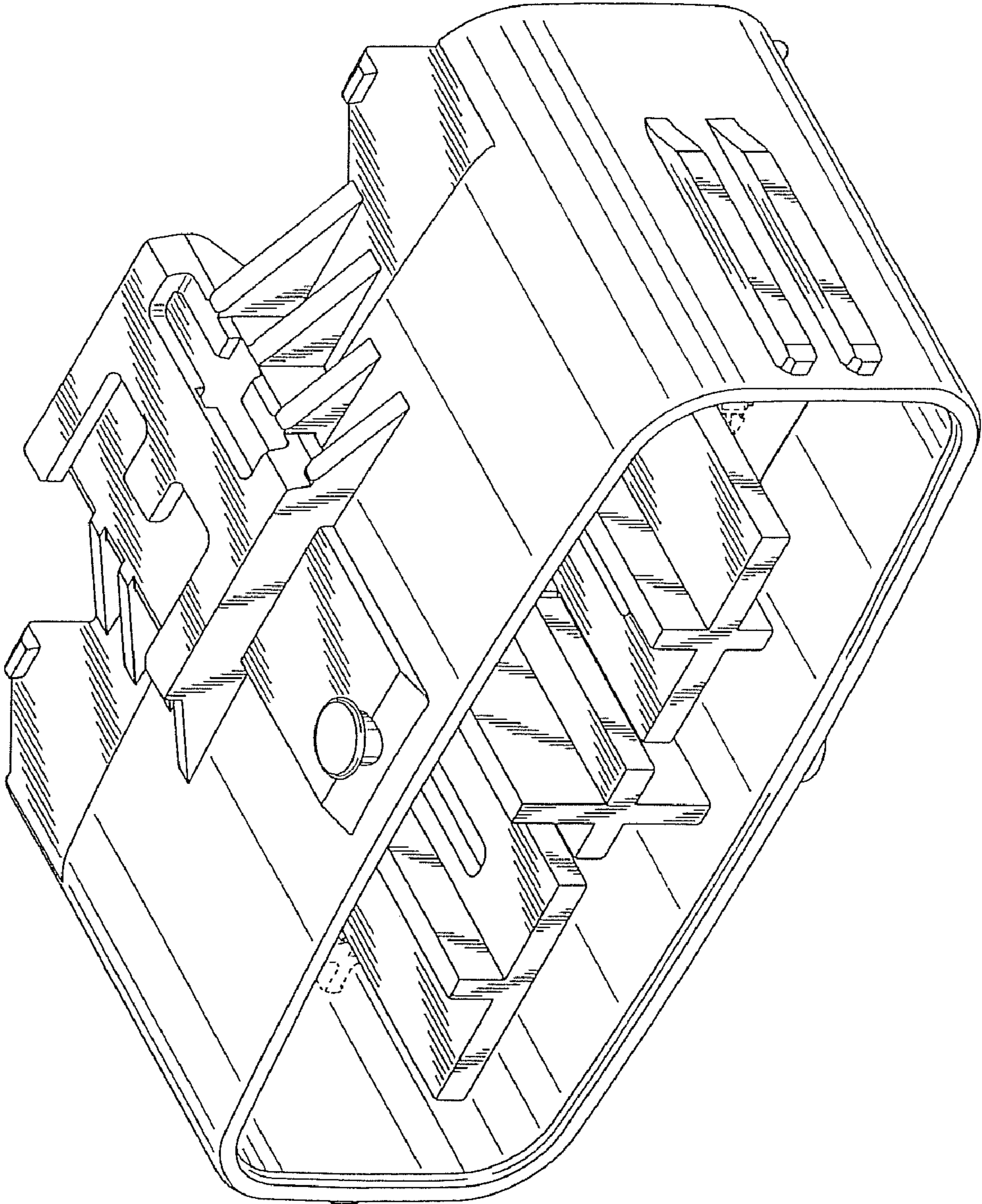


FIG. 2

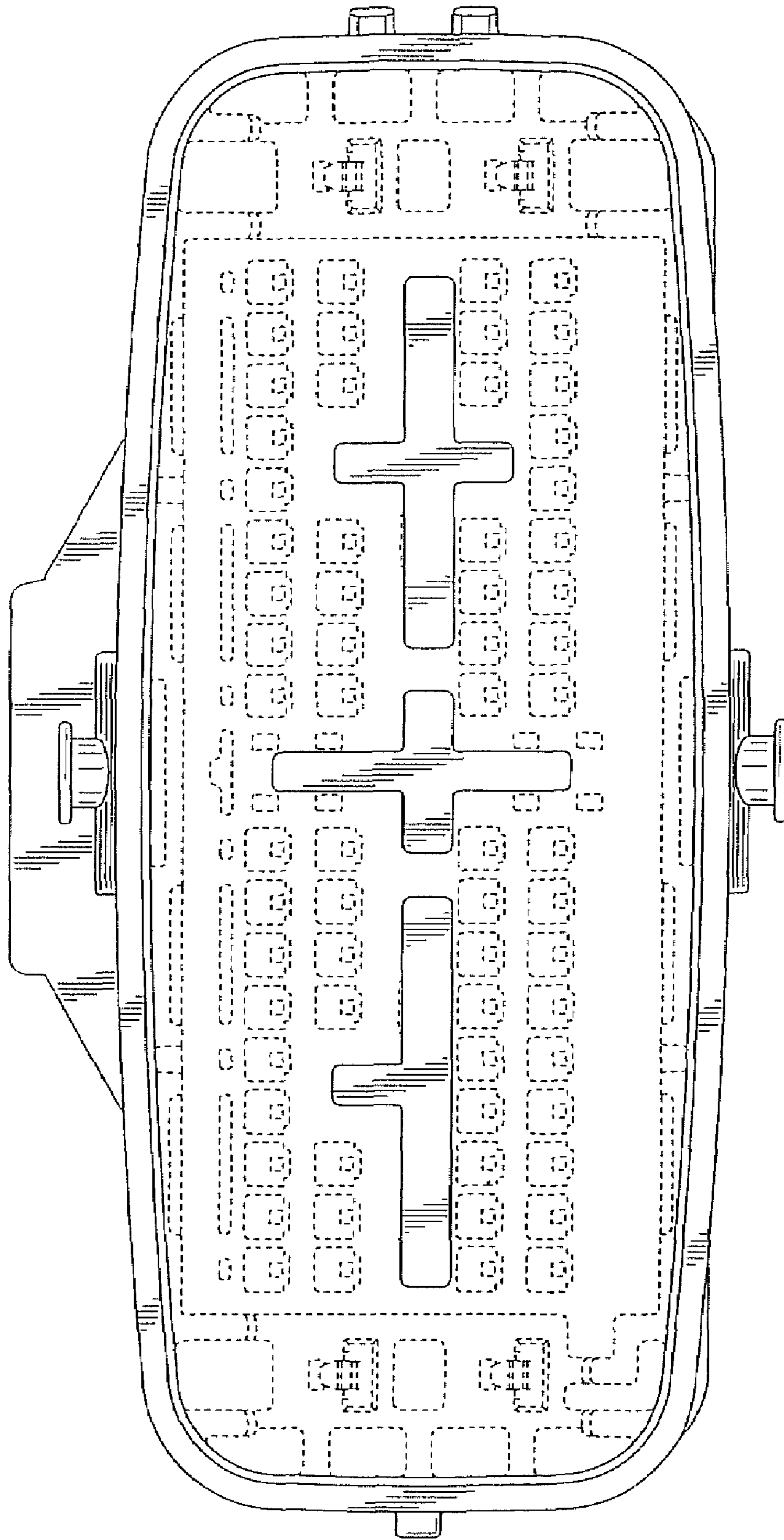


FIG. 3

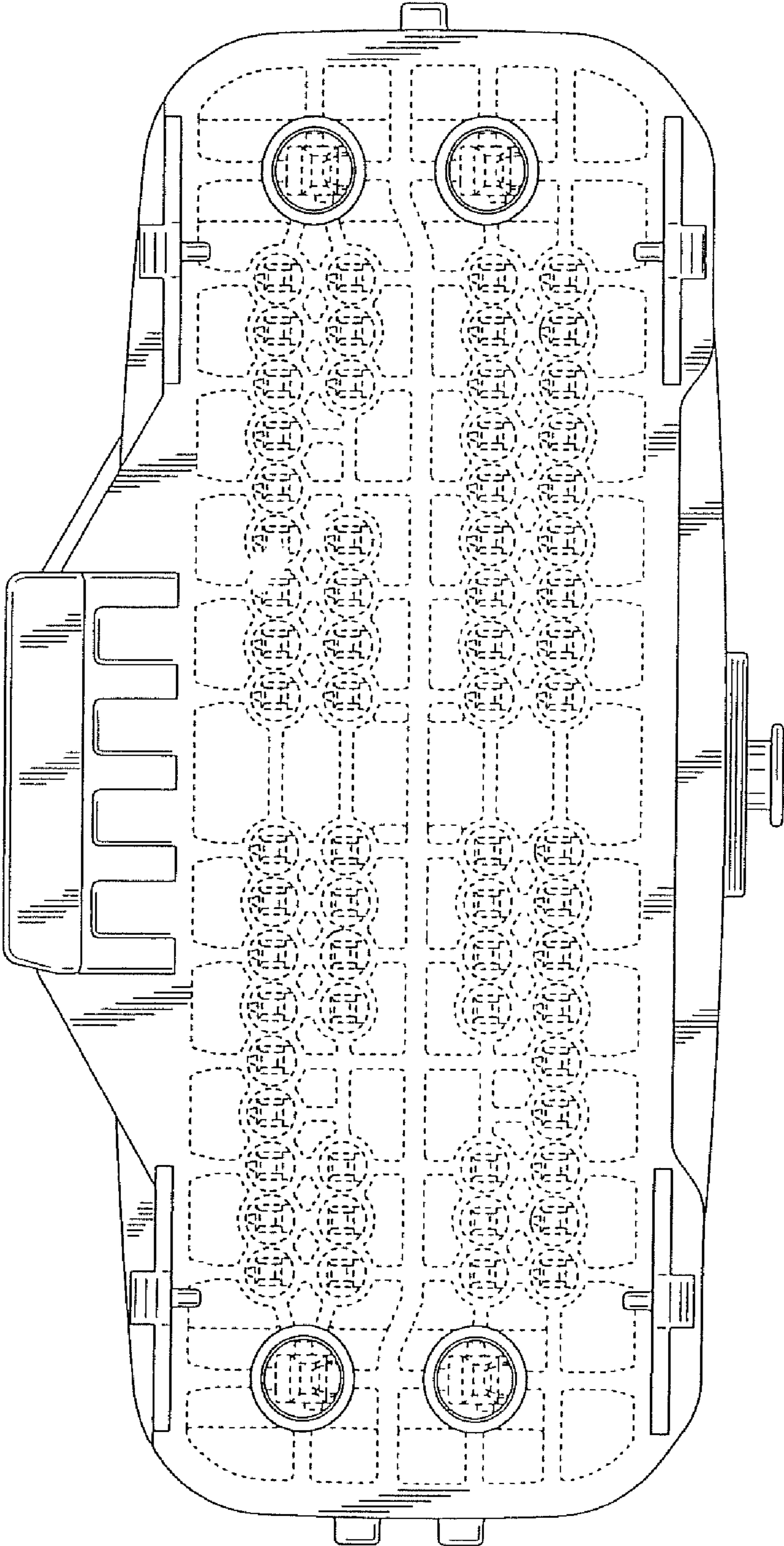


FIG. 4

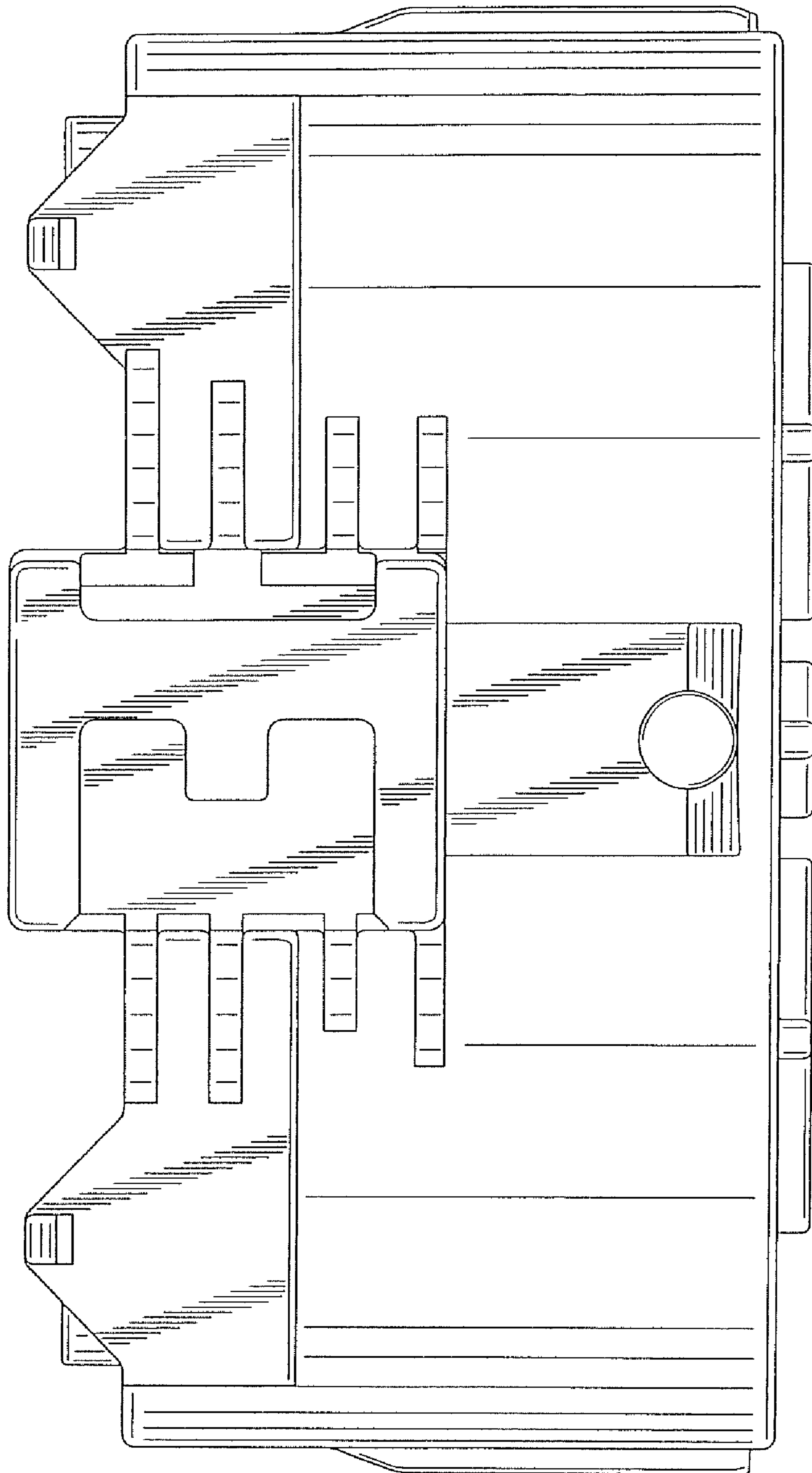


FIG. 5

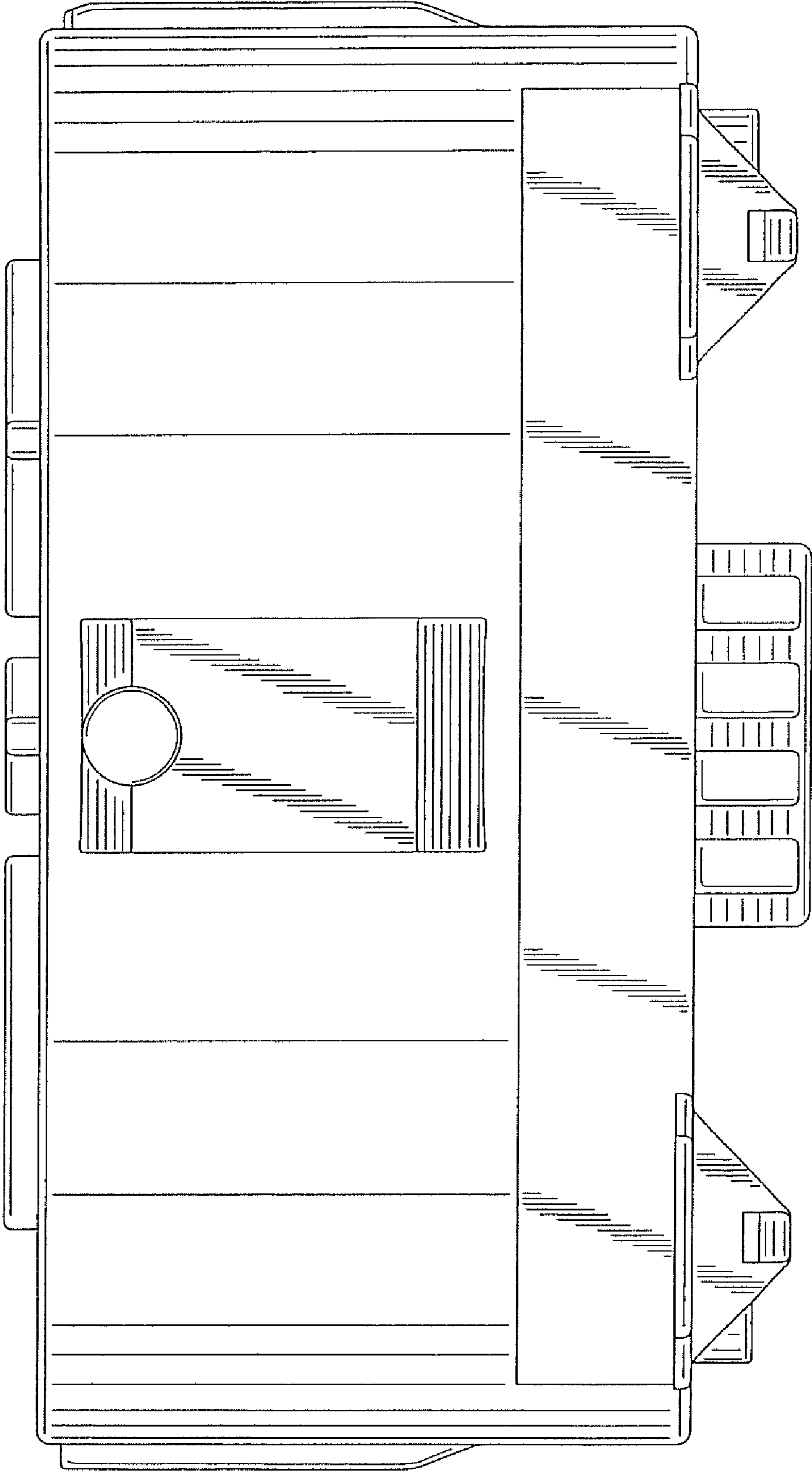


FIG. 7

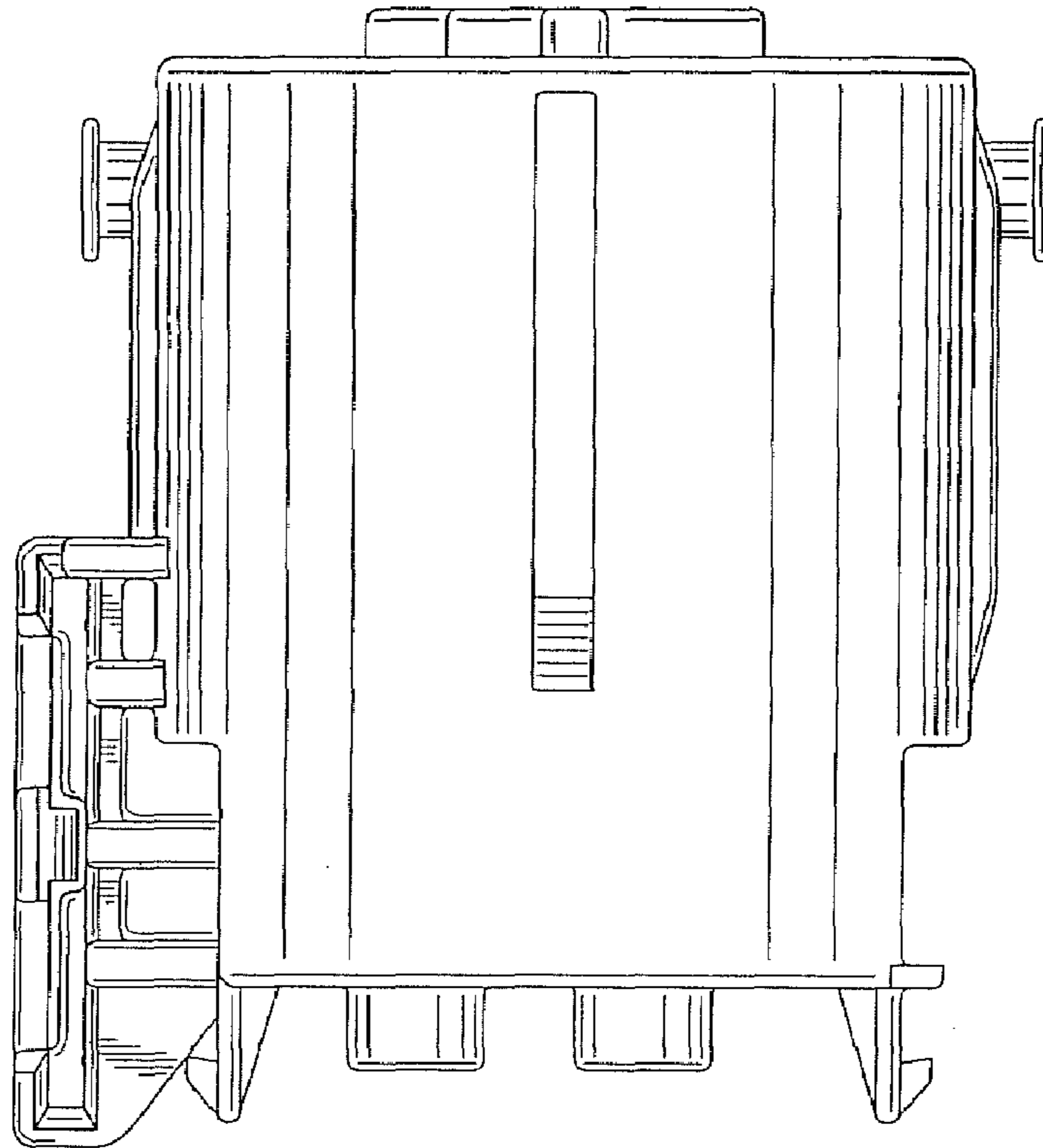


FIG. 6

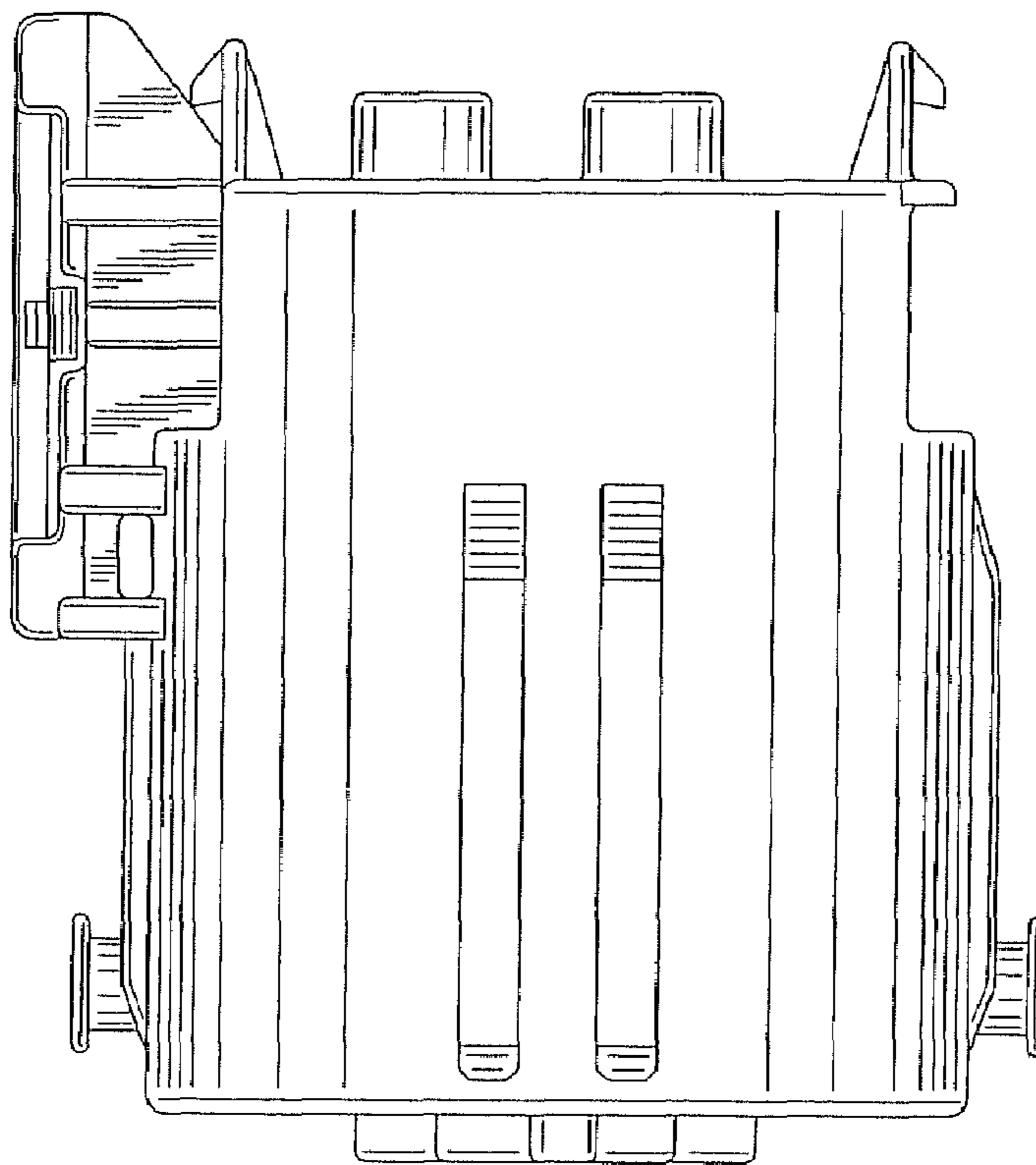


FIG. 8

