



US00D605601S

(12) **United States Design Patent**  
**Chen**

(10) **Patent No.:** **US D605,601 S**

(45) **Date of Patent:** **\*\* Dec. 8, 2009**

(54) **JACK CONNECTOR**

D590,538 S \* 4/2009 Ohmori ..... D26/138  
D590,539 S \* 4/2009 Ohmori ..... D26/138

(75) Inventor: **Chung Yu Chen**, Tu-Cheng (TW)

\* cited by examiner

(73) Assignee: **Cheng Uei Precision Industry Co., Ltd.**, Taipei Hsien (TW)

*Primary Examiner*—Daniel D Bui

(74) *Attorney, Agent, or Firm*—Rosenberg, Klein & Lee

(\*\*) Term: **14 Years**

(57) **CLAIM**

(21) Appl. No.: **29/311,641**

The ornamental design for a jack connector, as shown and described.

(22) Filed: **May 13, 2009**

(51) **LOC (9) Cl.** ..... **13-03**

(52) **U.S. Cl.** ..... **D13/154**

(58) **Field of Classification Search** ..... D13/120,  
D13/133, 154, 184; 439/748–749, 845, 849–850,  
439/857, 861, 870, 877, 884–885, 887  
See application file for complete search history.

**DESCRIPTION**

FIG. 1 is a perspective view of a jack connector showing my new design;

FIG. 2 is a front elevational view thereof;

FIG. 3 is a rear elevational view thereof;

FIG. 4 is a left side elevational view thereof;

FIG. 5 is a right side elevational view thereof;

FIG. 6 is a top plan view thereof; and,

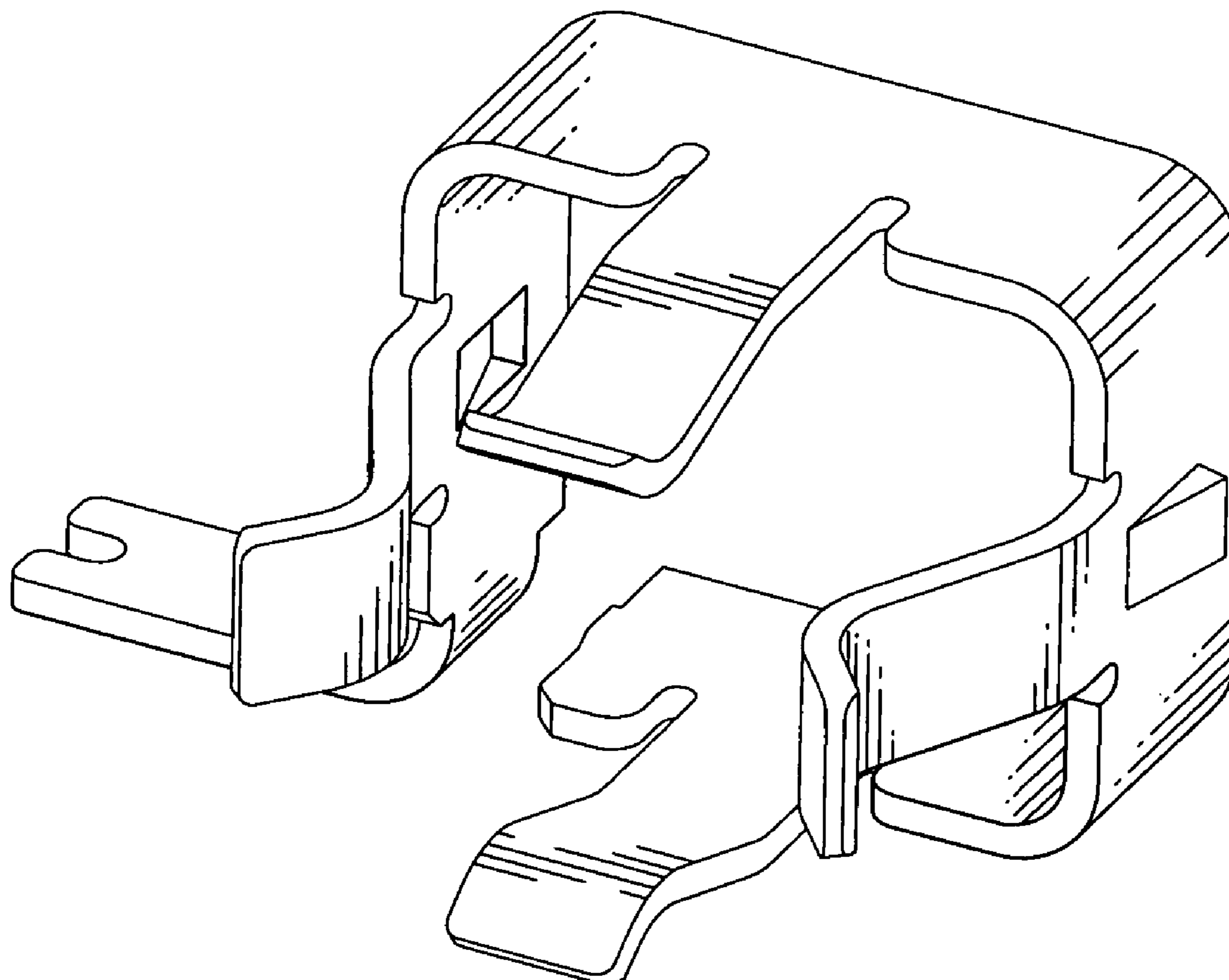
FIG. 7 is a bottom plan view thereof.

(56) **References Cited**

U.S. PATENT DOCUMENTS

D516,521 S \* 3/2006 Yao et al. .... D13/154  
D568,246 S \* 5/2008 Wu et al. .... D13/133  
D582,348 S \* 12/2008 Shiu ..... D13/154  
D585,031 S \* 1/2009 Hung ..... D13/154

**1 Claim, 7 Drawing Sheets**



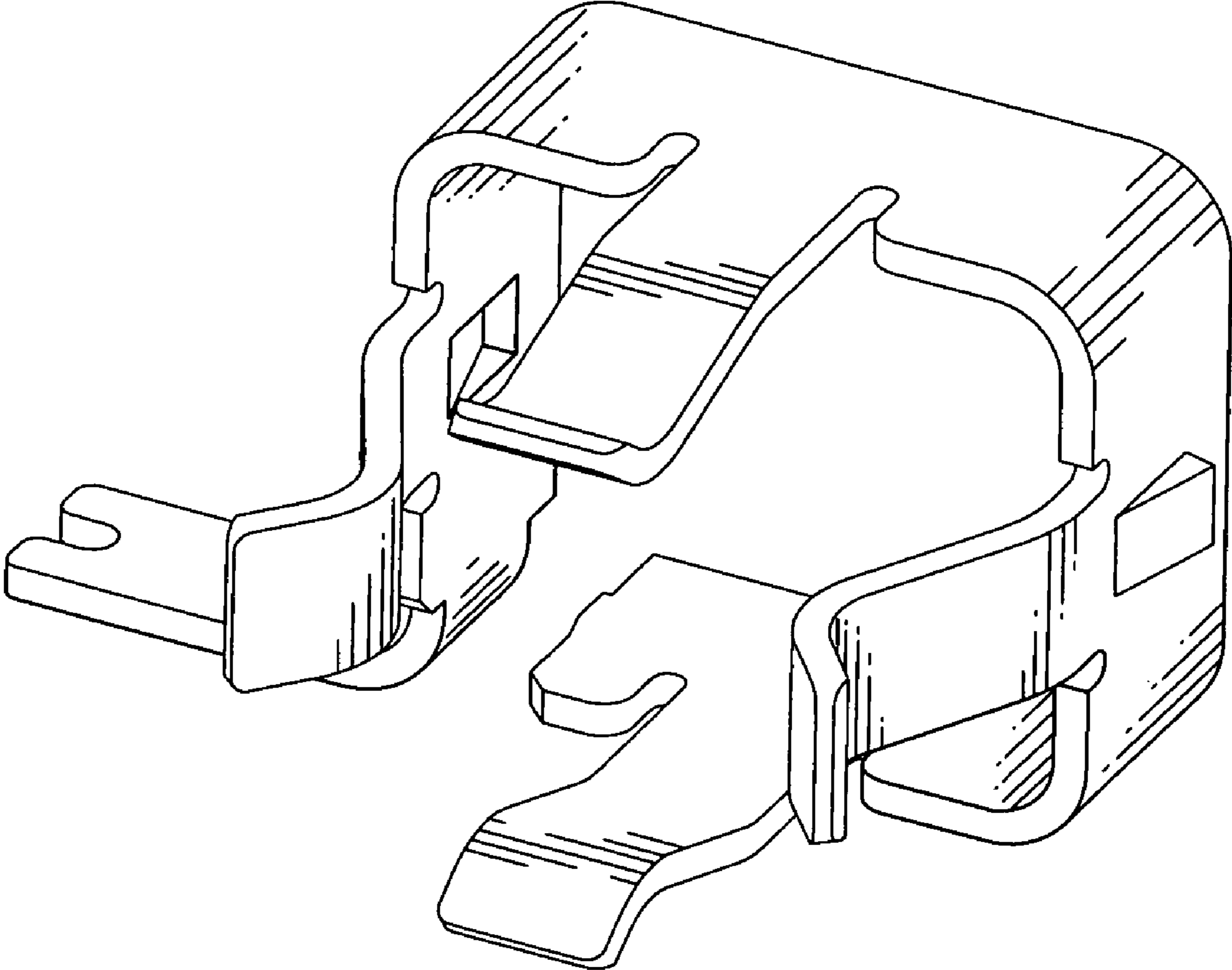


FIG. 1

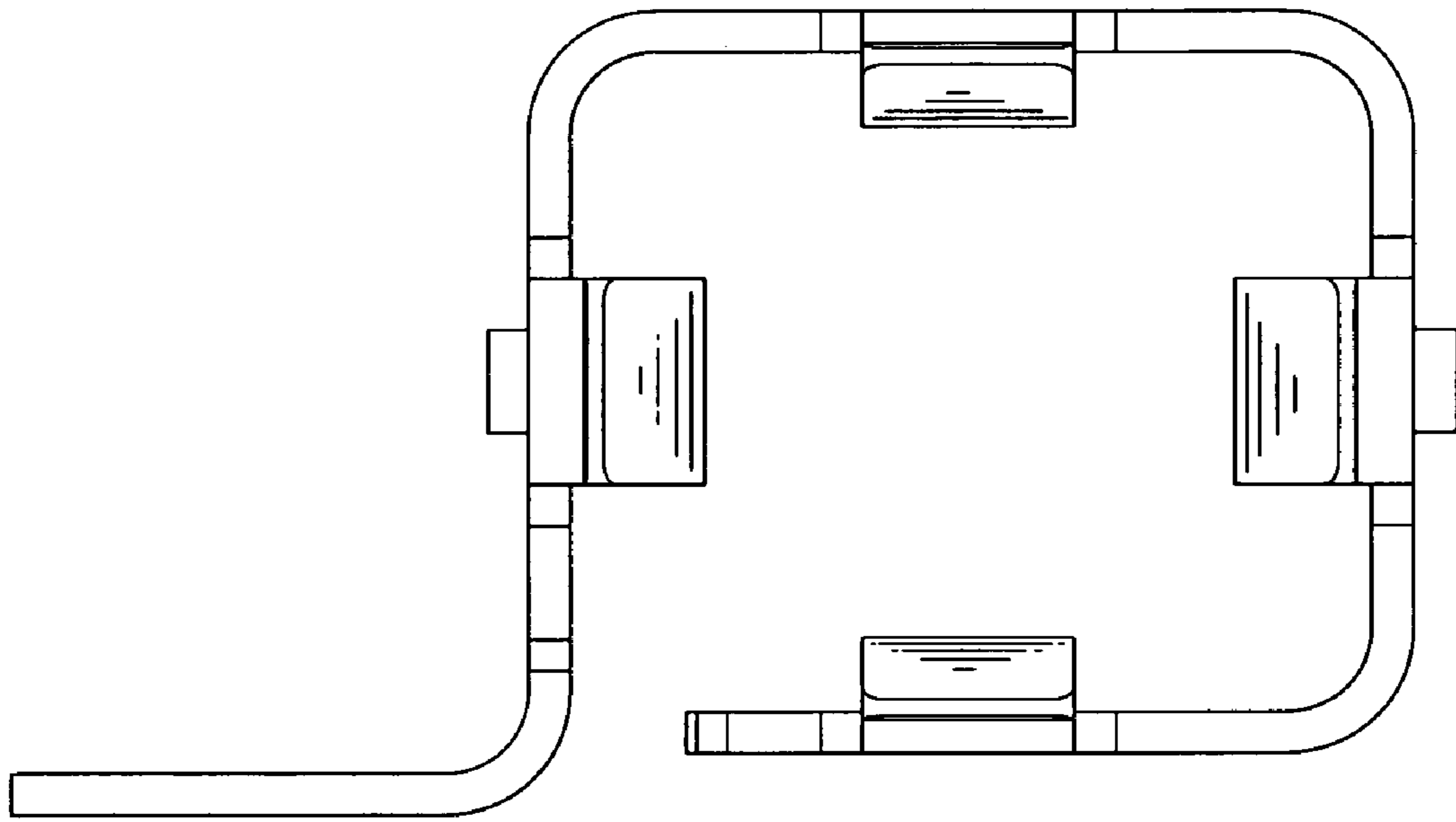


FIG. 2

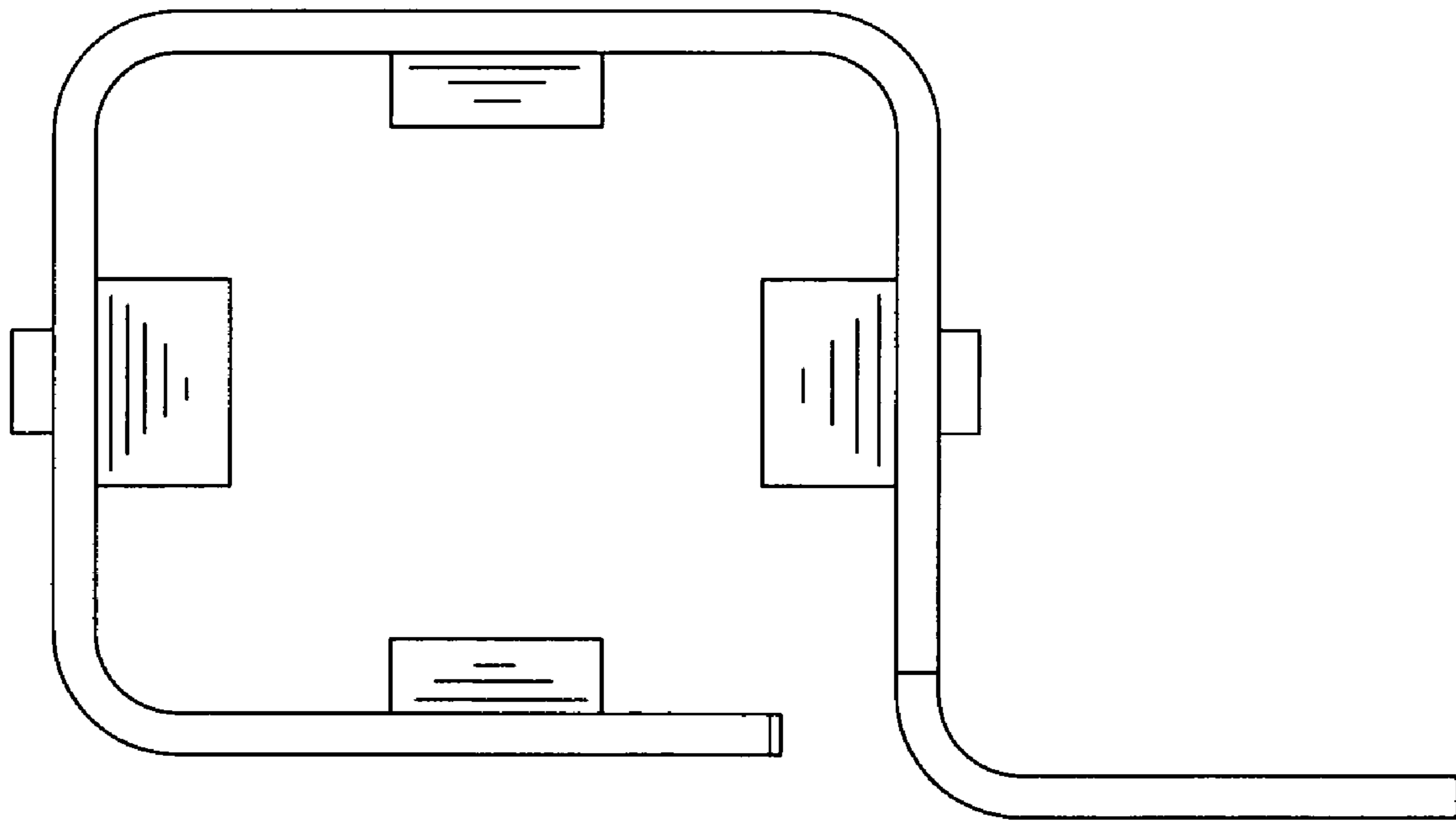


FIG. 3

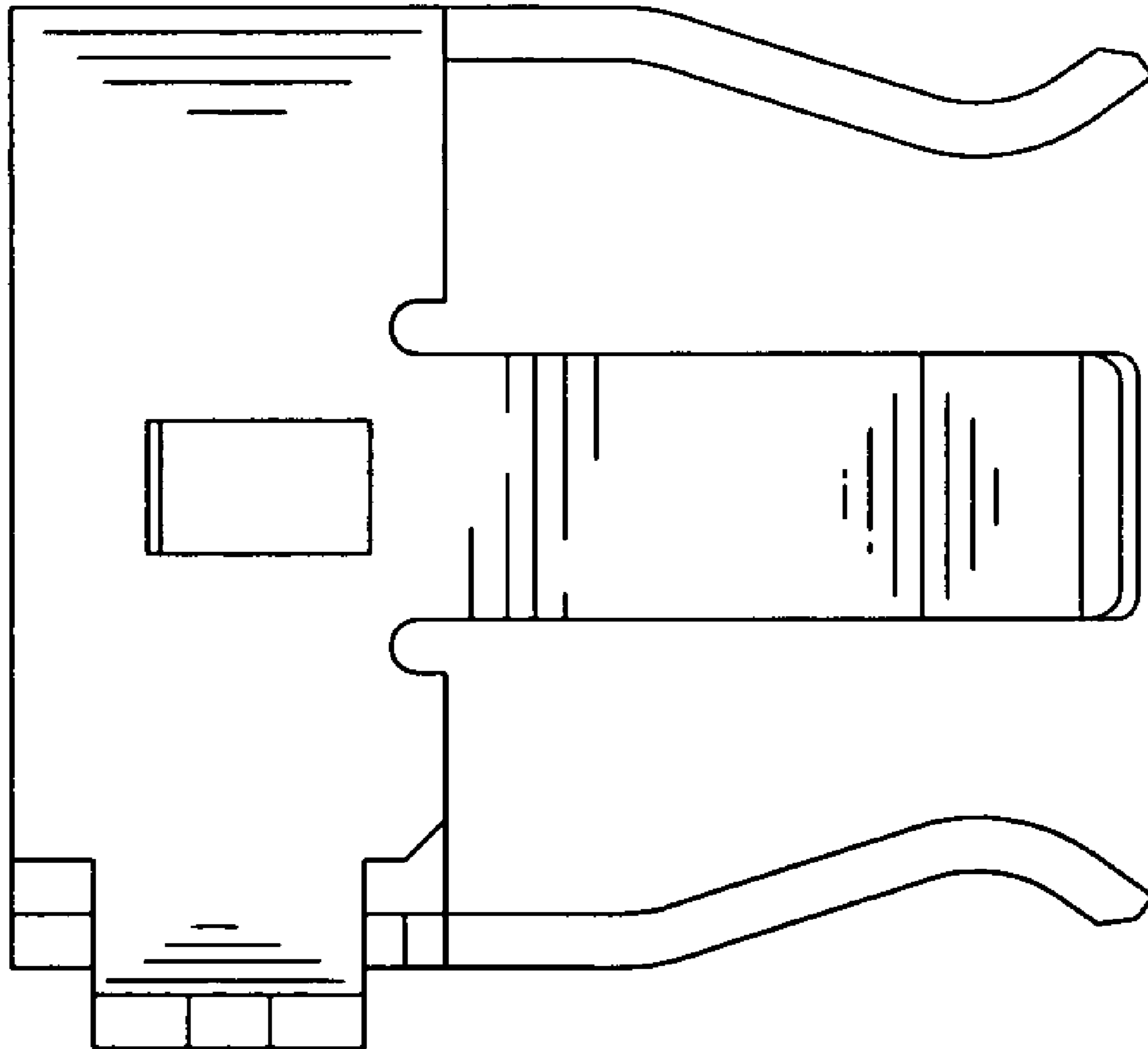


FIG. 4

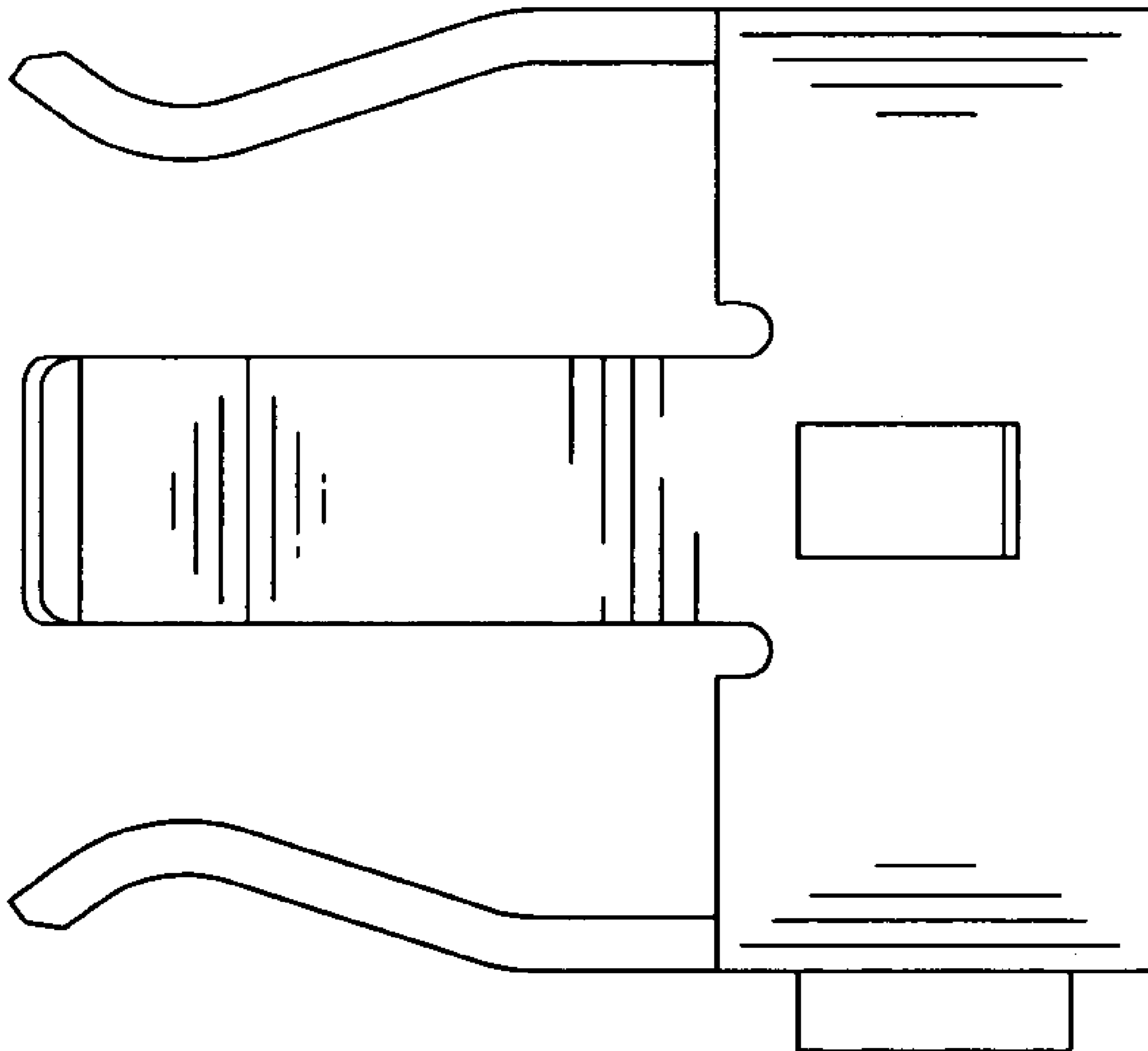


FIG. 5

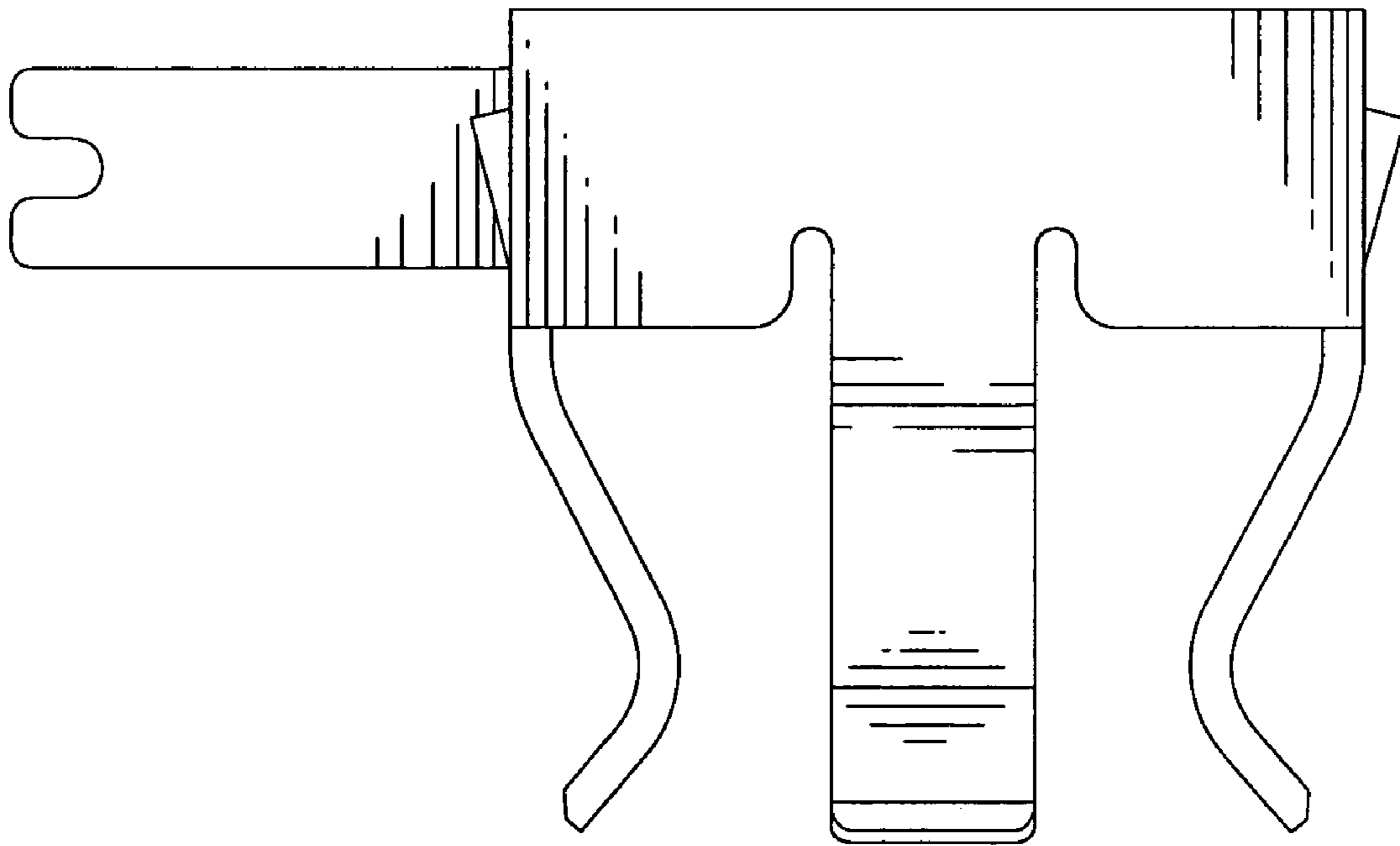


FIG. 6

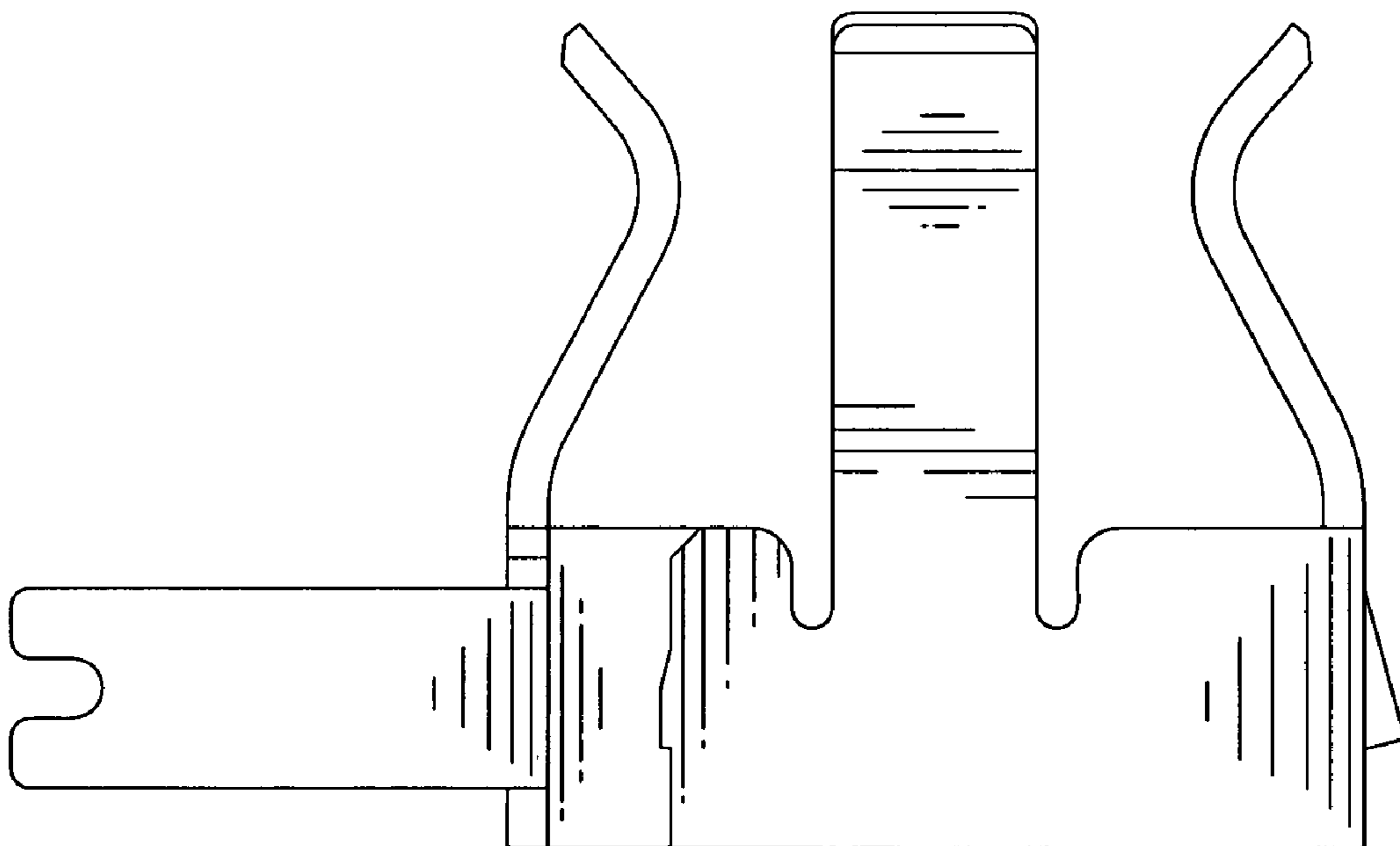


FIG. 7