

US00D605600S

(12) **United States Design Patent**  
**Liao et al.**

(10) **Patent No.:** **US D605,600 S**  
(45) **Date of Patent:** **\*\* Dec. 8, 2009**

(54) **SPRING**

(75) Inventors: **Wei Hong Liao**, Tu-Cheng (TW); **Hang Xiao He**, Tu-Cheng (TW); **Ming Chiang Chen**, Tu-Cheng (TW)

(73) Assignee: **Cheng Uei Precision Industry Co., Ltd.**, Taipei Hsien (TW)

(\*\*) Term: **14 Years**

(21) Appl. No.: **29/300,938**

(22) Filed: **Jun. 2, 2008**

(51) **LOC (9) Cl.** ..... **13-03**

(52) **U.S. Cl.** ..... **D13/154**

(58) **Field of Classification Search** ..... D13/120,  
D13/133, 154, 184; 439/748–749, 845, 849–850,  
439/857, 861, 870, 877, 884–885, 887  
See application file for complete search history.

(56) **References Cited**

**U.S. PATENT DOCUMENTS**

D409,143 S \* 5/1999 Yoshiura ..... D13/133

D453,739 S \* 2/2002 Lin ..... D13/148  
D516,038 S \* 2/2006 Liao et al. .... D13/154  
D555,093 S \* 11/2007 Chien et al. .... D13/133  
D568,249 S \* 5/2008 Wu et al. .... D13/133

\* cited by examiner

*Primary Examiner*—Daniel D Bui

(74) *Attorney, Agent, or Firm*—Rosenberg, Klein & Lee

(57) **CLAIM**

The ornamental design for a spring, as shown and described.

**DESCRIPTION**

FIG. 1 is a perspective view of a spring showing our new design;

FIG. 2 is a front elevational view thereof;

FIG. 3 is a rear elevational view thereof;

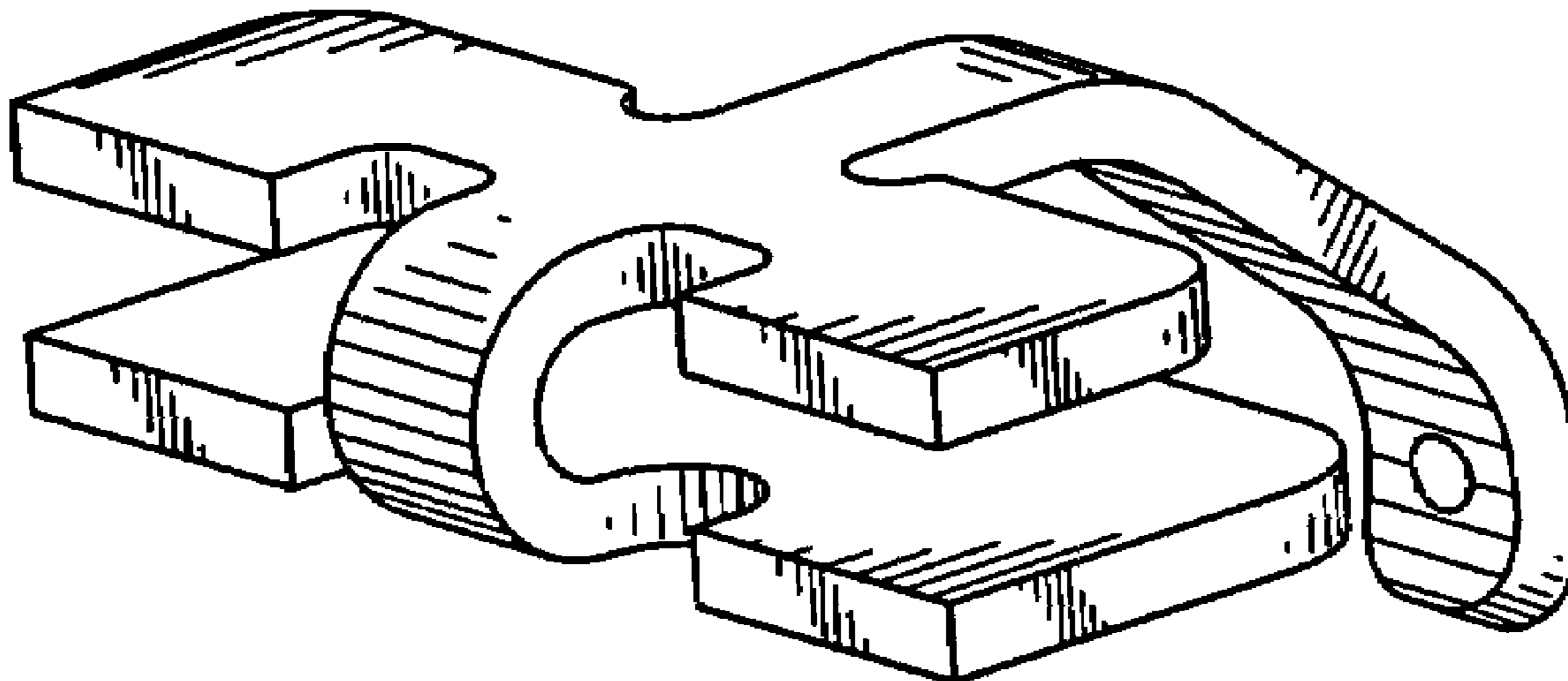
FIG. 4 is a left side elevational view thereof;

FIG. 5 is a right side elevational view thereof;

FIG. 6 is a top plan view thereof; and,

FIG. 7 is a bottom plan view thereof.

**1 Claim, 7 Drawing Sheets**



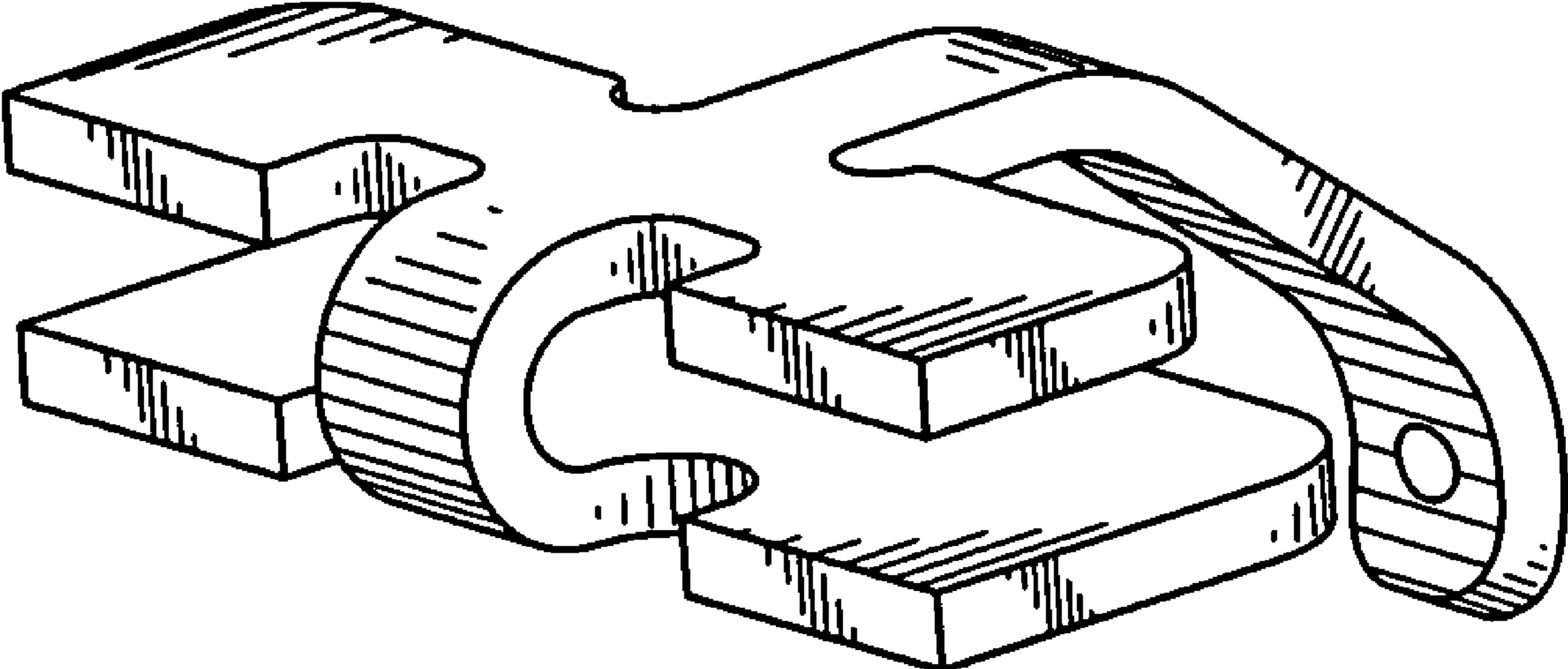


FIG. 1

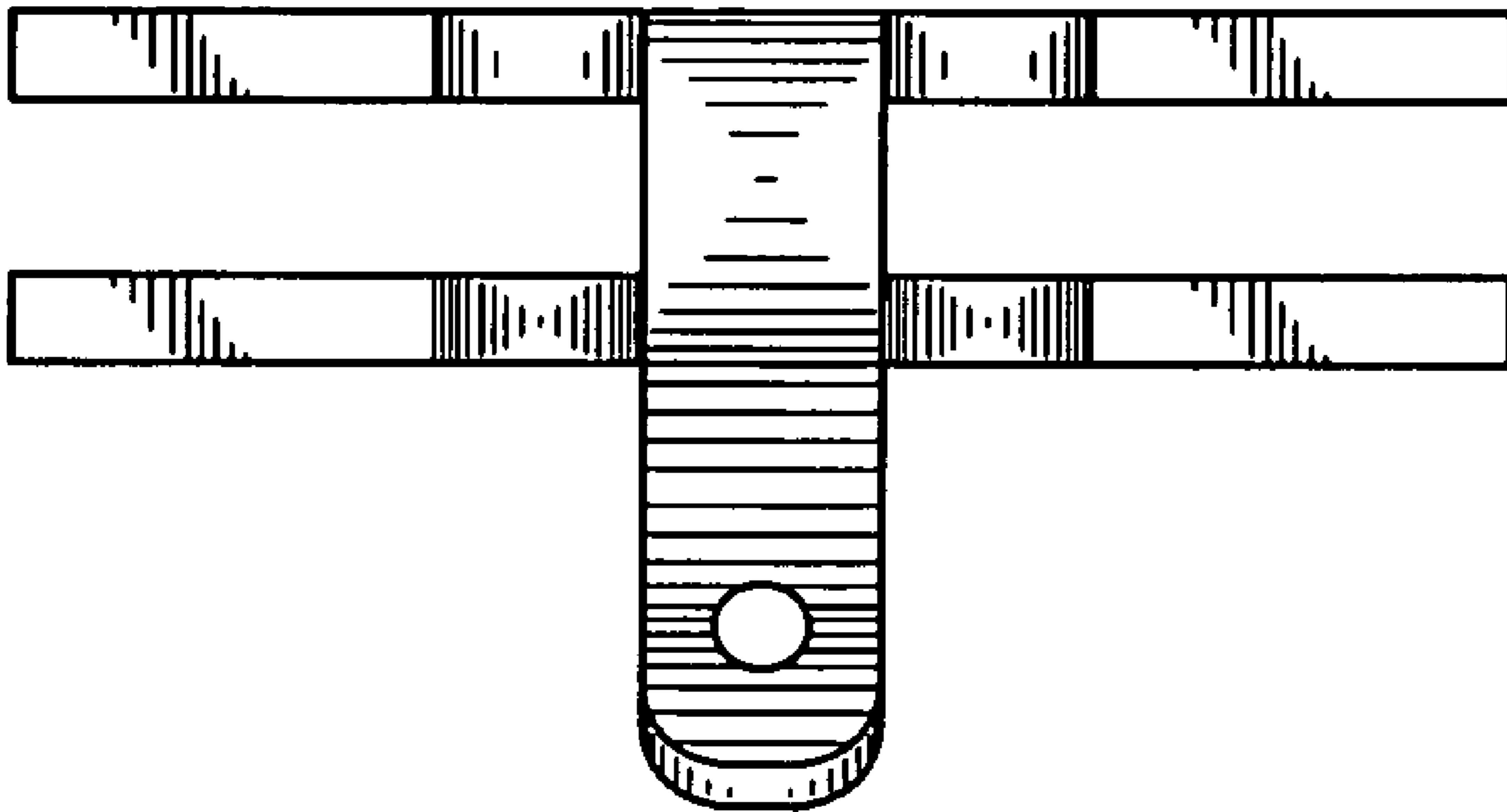


FIG. 2

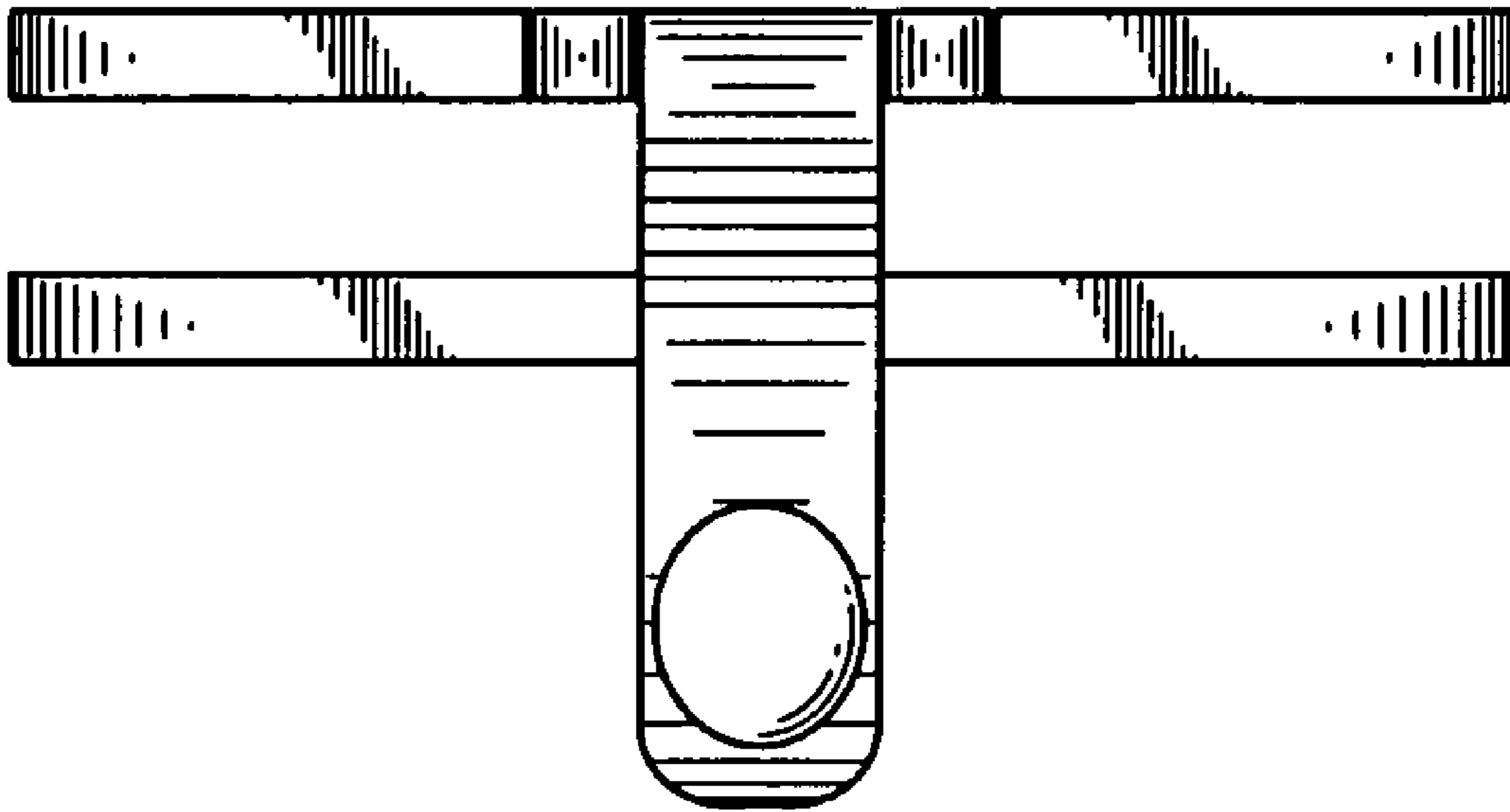


FIG. 3

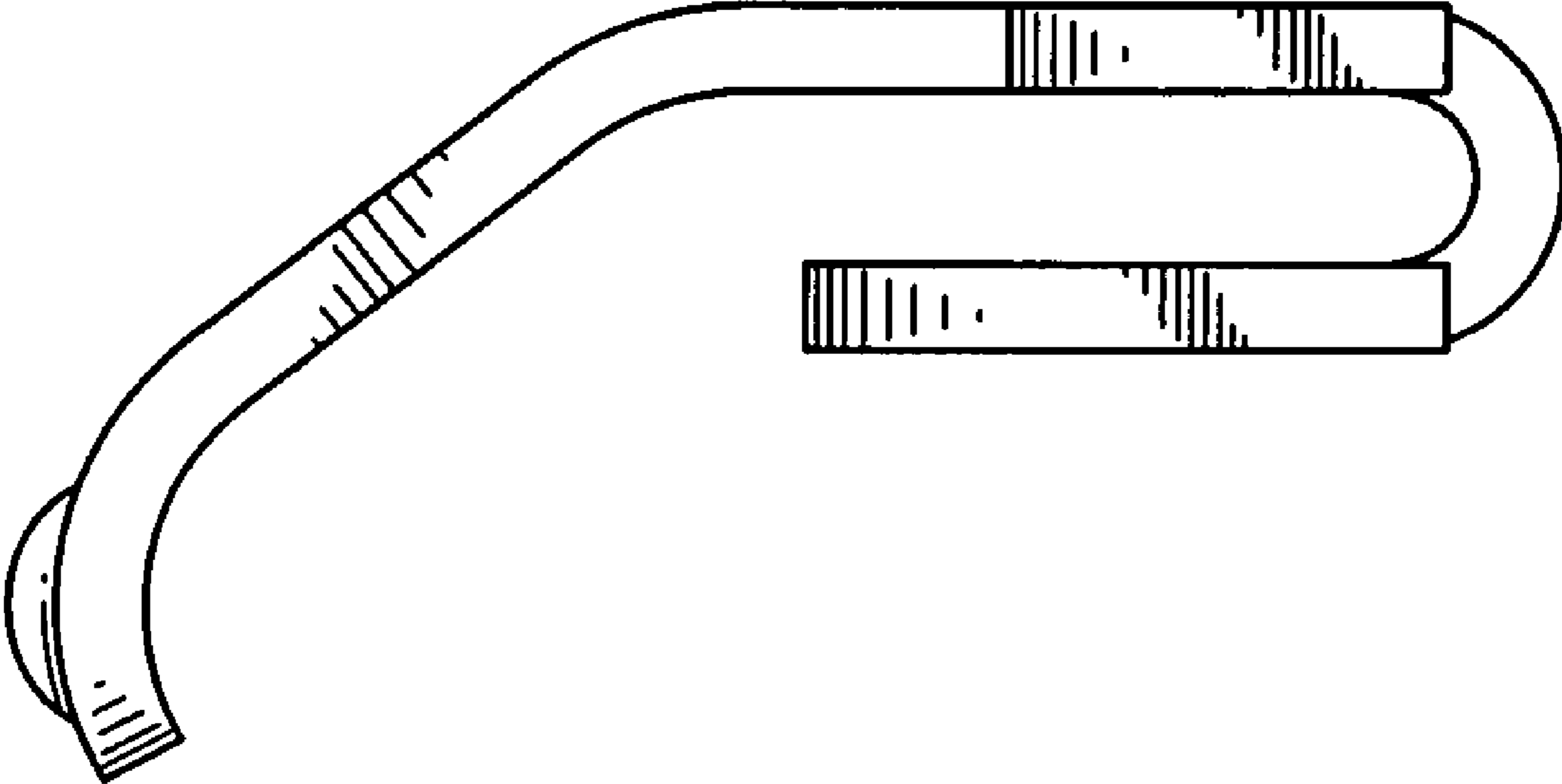


FIG. 4

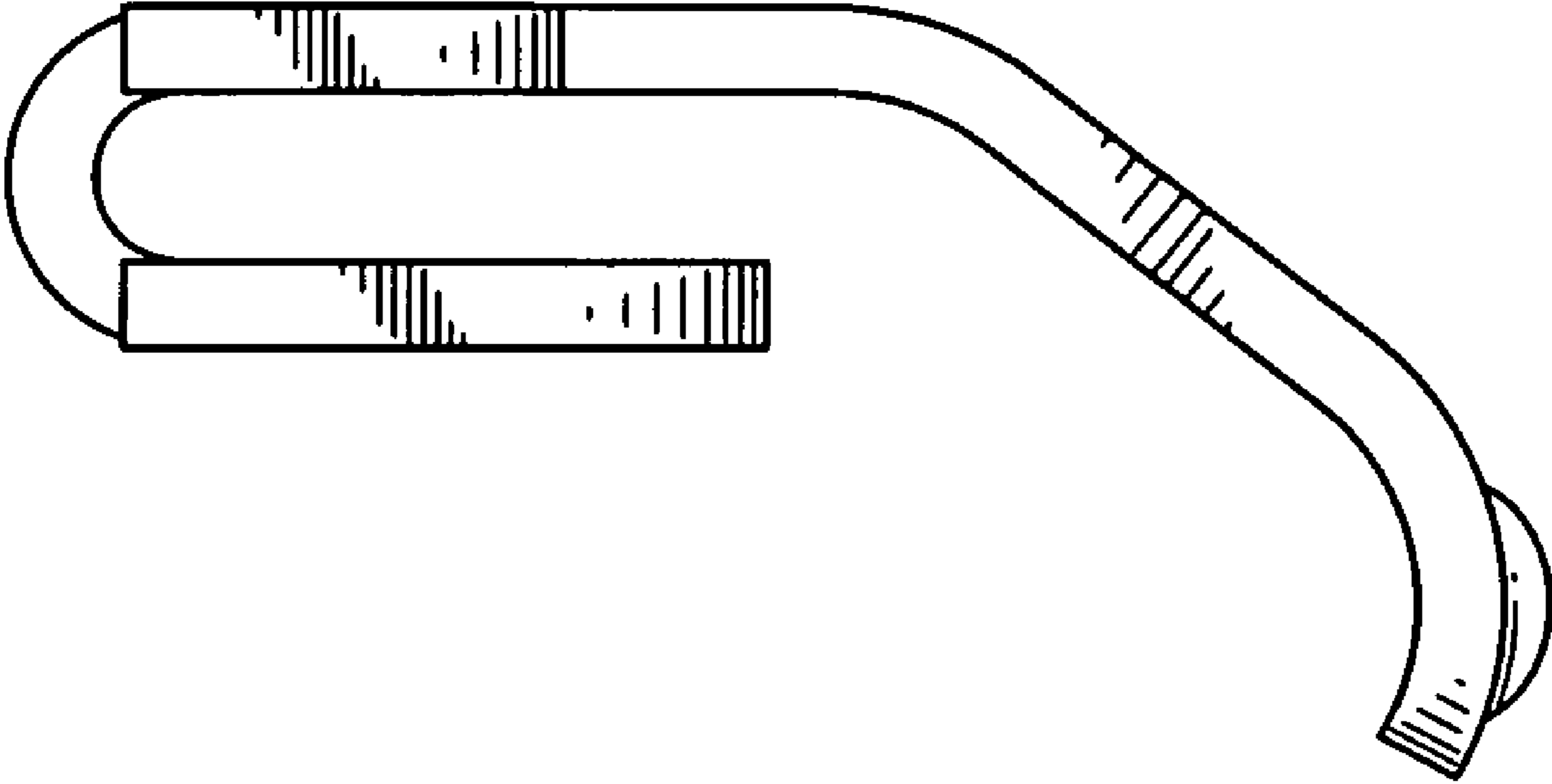


FIG. 5

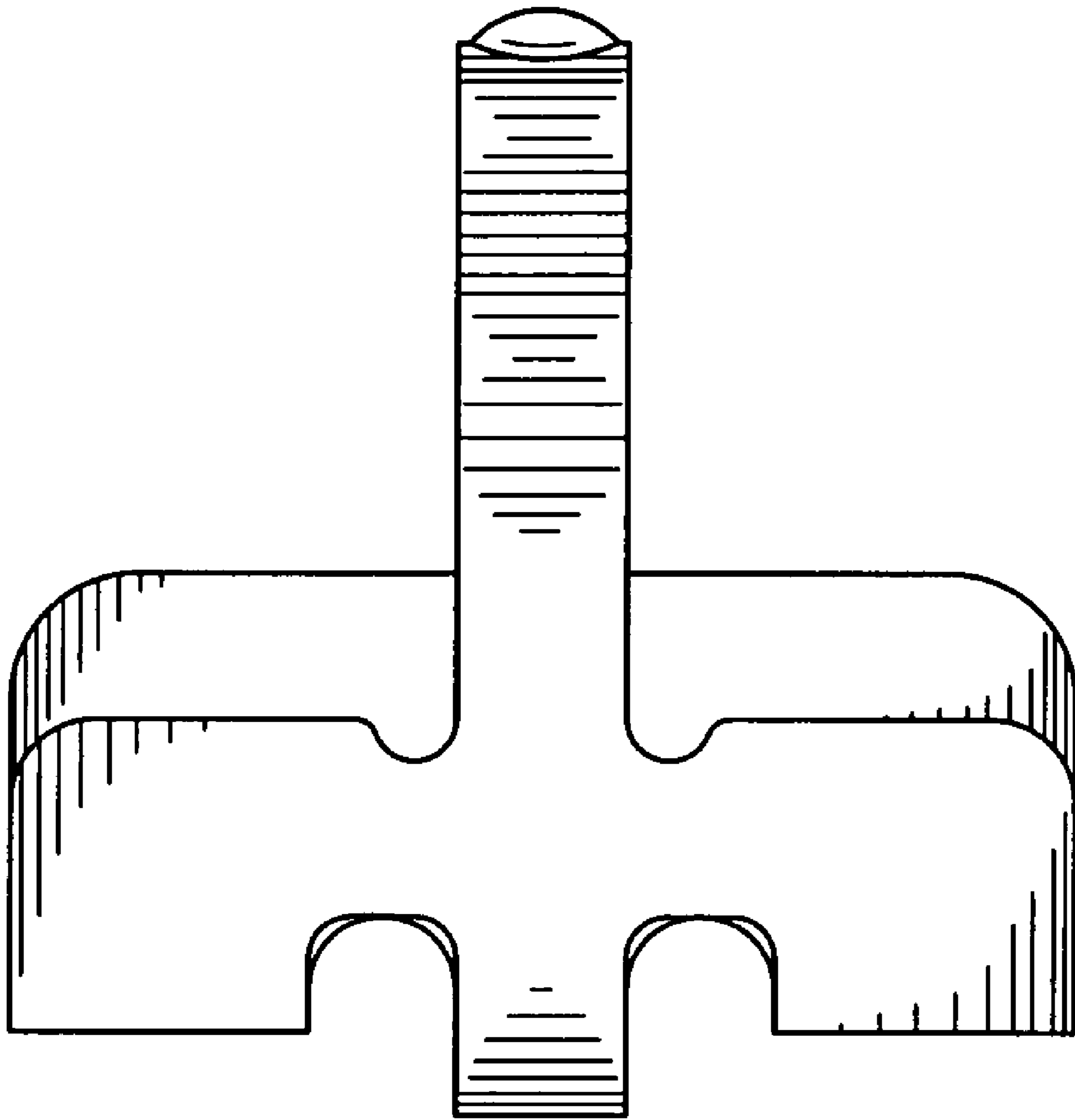


FIG. 6

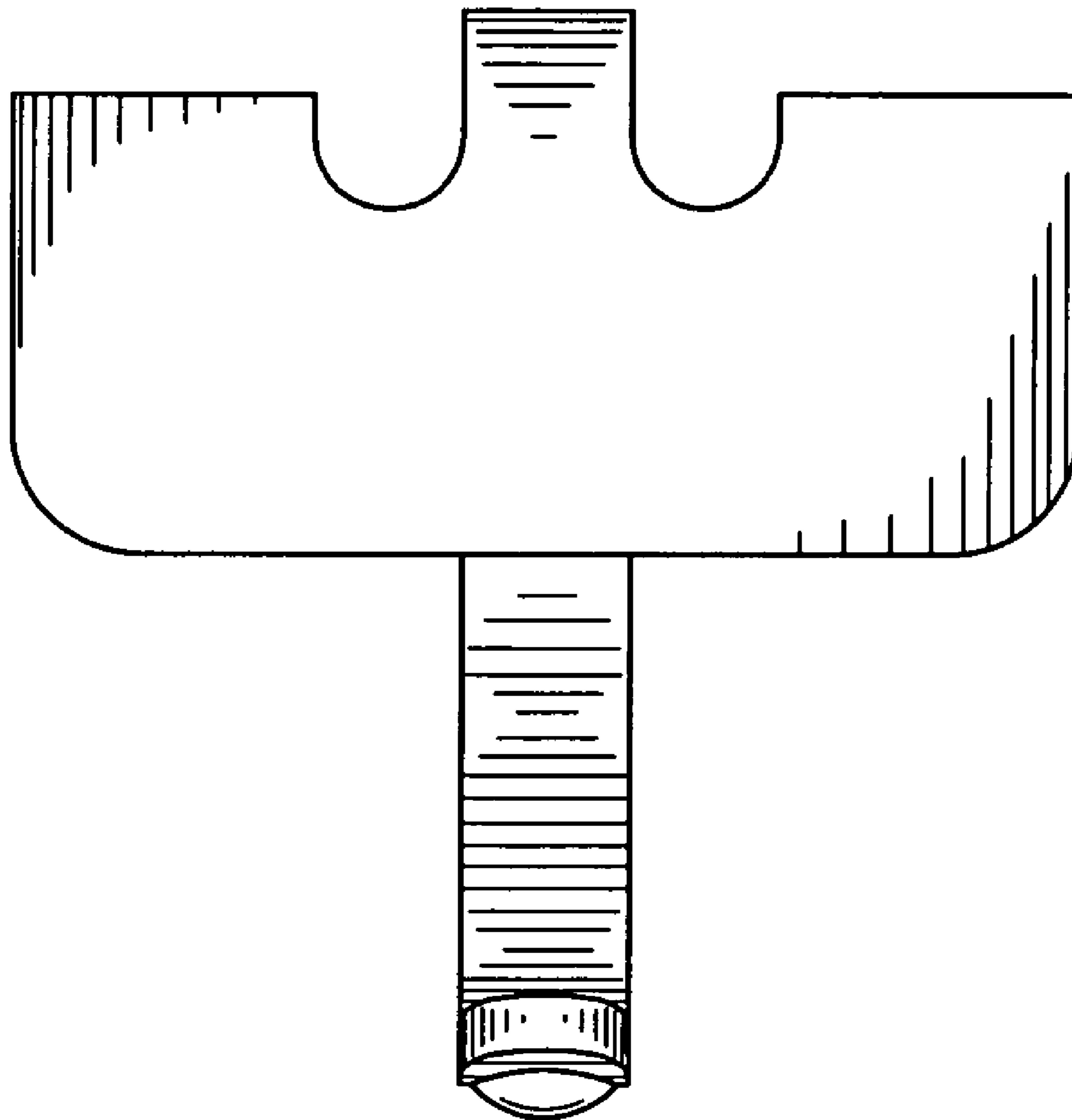


FIG. 7