

US00D605598S

(12) **United States Design Patent**
Hori et al.

(10) **Patent No.:** **US D605,598 S**
(45) **Date of Patent:** **** Dec. 8, 2009**

(54) **ELECTRICAL CONNECTOR**

D590,776 S * 4/2009 Kondo D13/147

(75) Inventors: **Kiichi Hori**, Kanagawa (JP); **Hidehiro Shindo**, Kanagawa (JP)

FOREIGN PATENT DOCUMENTS

JP D1338301 9/2007

(73) Assignee: **IRISO Electronics Co., Ltd.**, Kanagawa (JP)

* cited by examiner

(**) Term: **14 Years**

Primary Examiner—Daniel D Bui

(21) Appl. No.: **29/328,178**

(74) *Attorney, Agent, or Firm*—Lowe Hauptman Ham & Berner LLP

(22) Filed: **Nov. 20, 2008**

(57) **CLAIM**

(30) **Foreign Application Priority Data**

The ornamental design for an electrical connector, as shown.

Jul. 9, 2008 (JP) 2008-017654

DESCRIPTION

(51) **LOC (9) Cl.** **13-03**

FIG. 1 is a front view of an electrical connector showing our new design;

(52) **U.S. Cl.** **D13/147**

FIG. 2 is a rear view thereof;

(58) **Field of Classification Search** D13/147,
D13/154, 184; 439/79, 108, 378, 497, 567,
439/607–610, 668, 680

FIG. 3 is a right side view thereof;

See application file for complete search history.

FIG. 4 is a left side view thereof;

FIG. 5 is a top plan view thereof;

FIG. 6 is a bottom plan view thereof; and,

FIG. 7 is a perspective view from the front side thereof.

(56) **References Cited**

The elements shown by broken lines are not claimed as being part of the design.

U.S. PATENT DOCUMENTS

D345,343 S * 3/1994 Nakamura D13/147
D410,434 S * 6/1999 Wu D13/147
D433,667 S * 11/2000 Li et al. D13/147

1 Claim, 4 Drawing Sheets

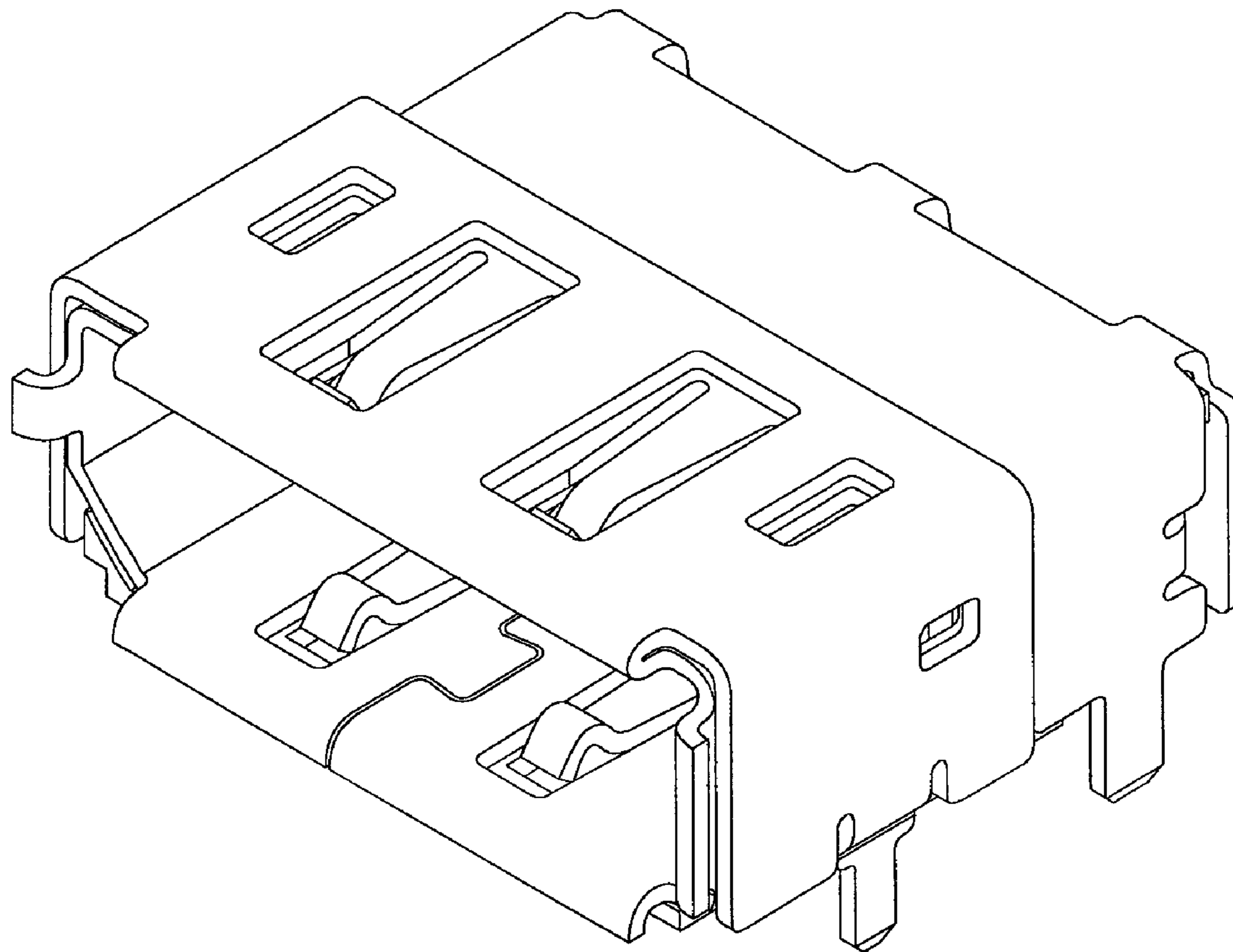


Fig. 1

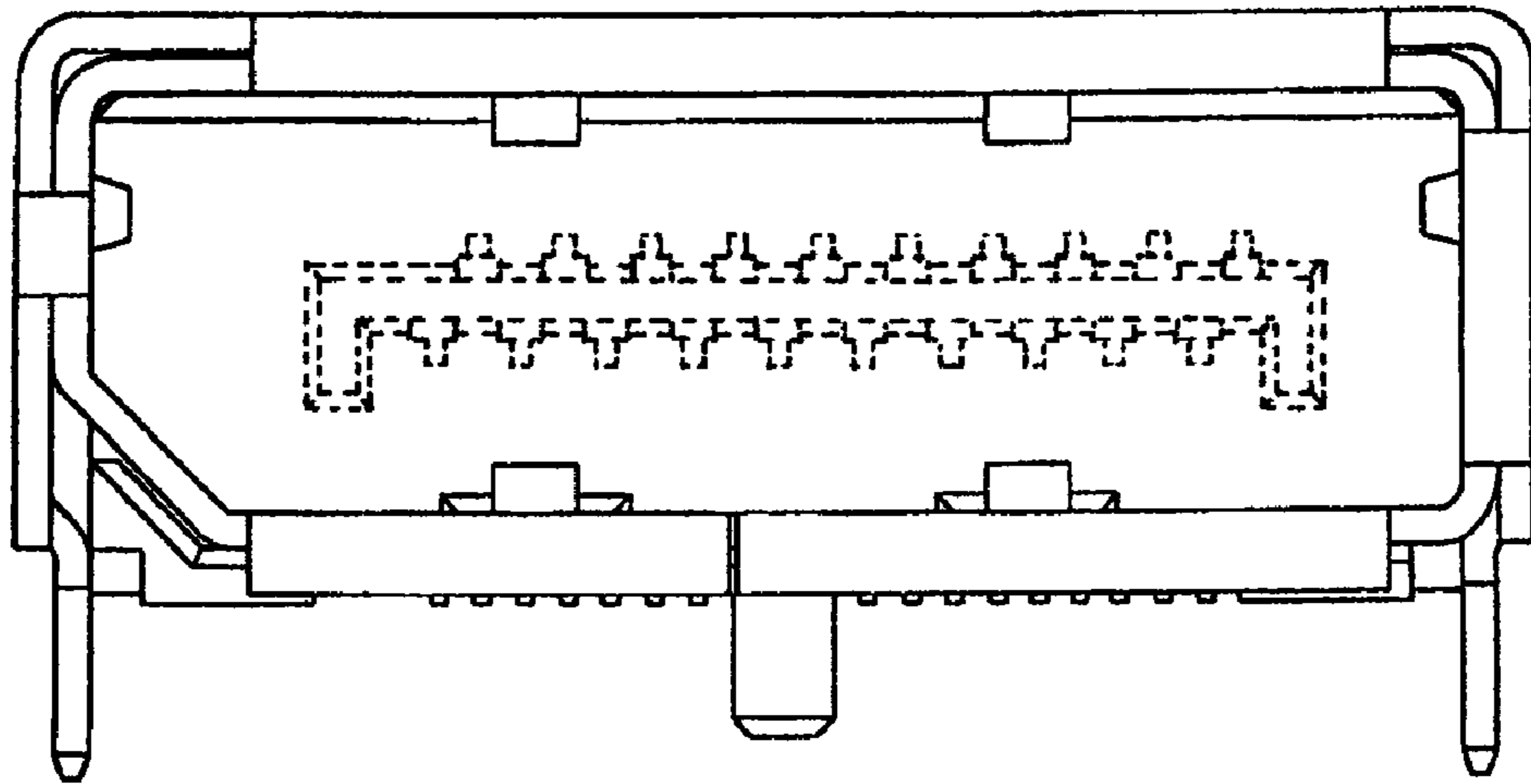


Fig. 2

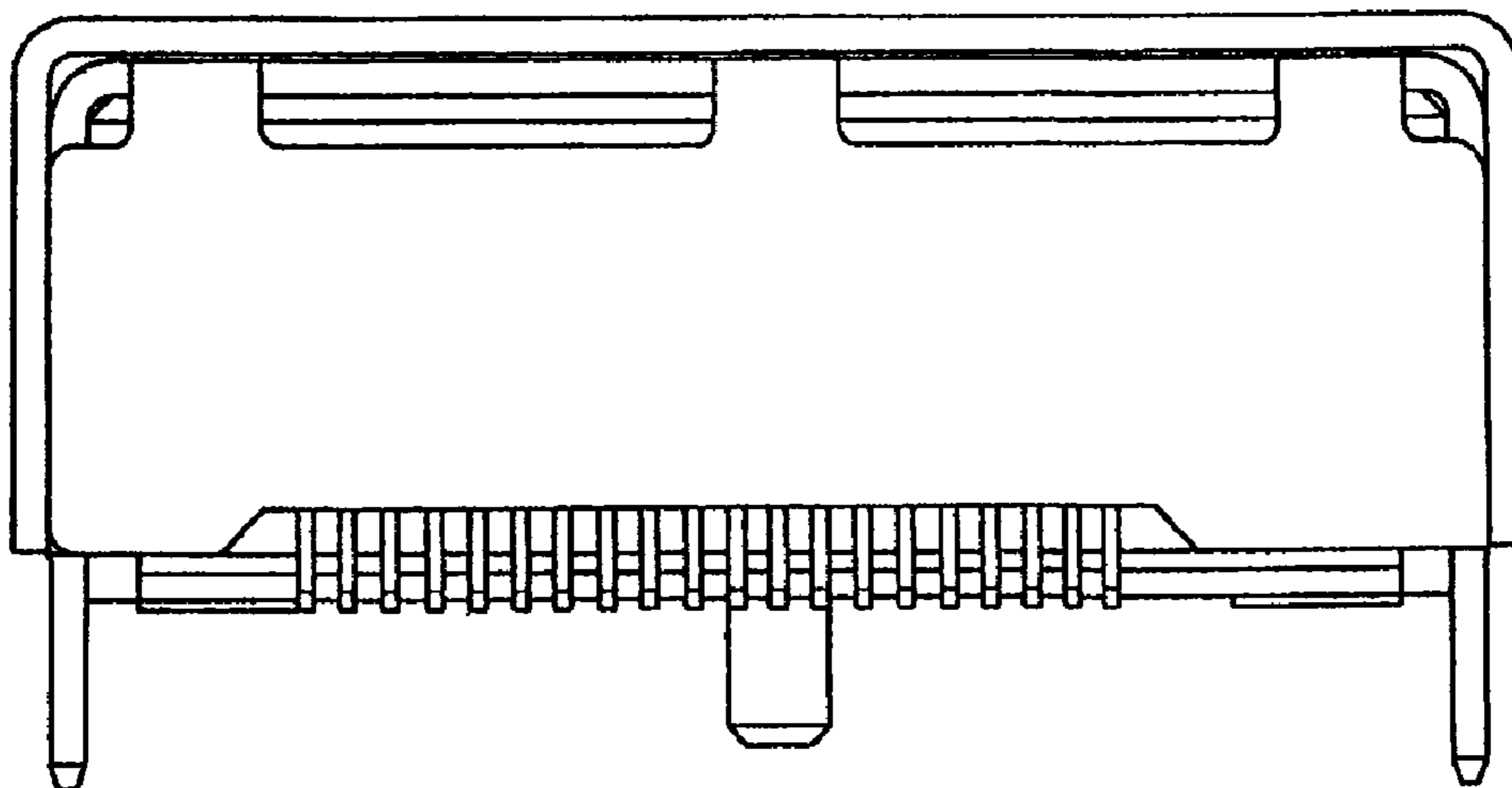


Fig. 3

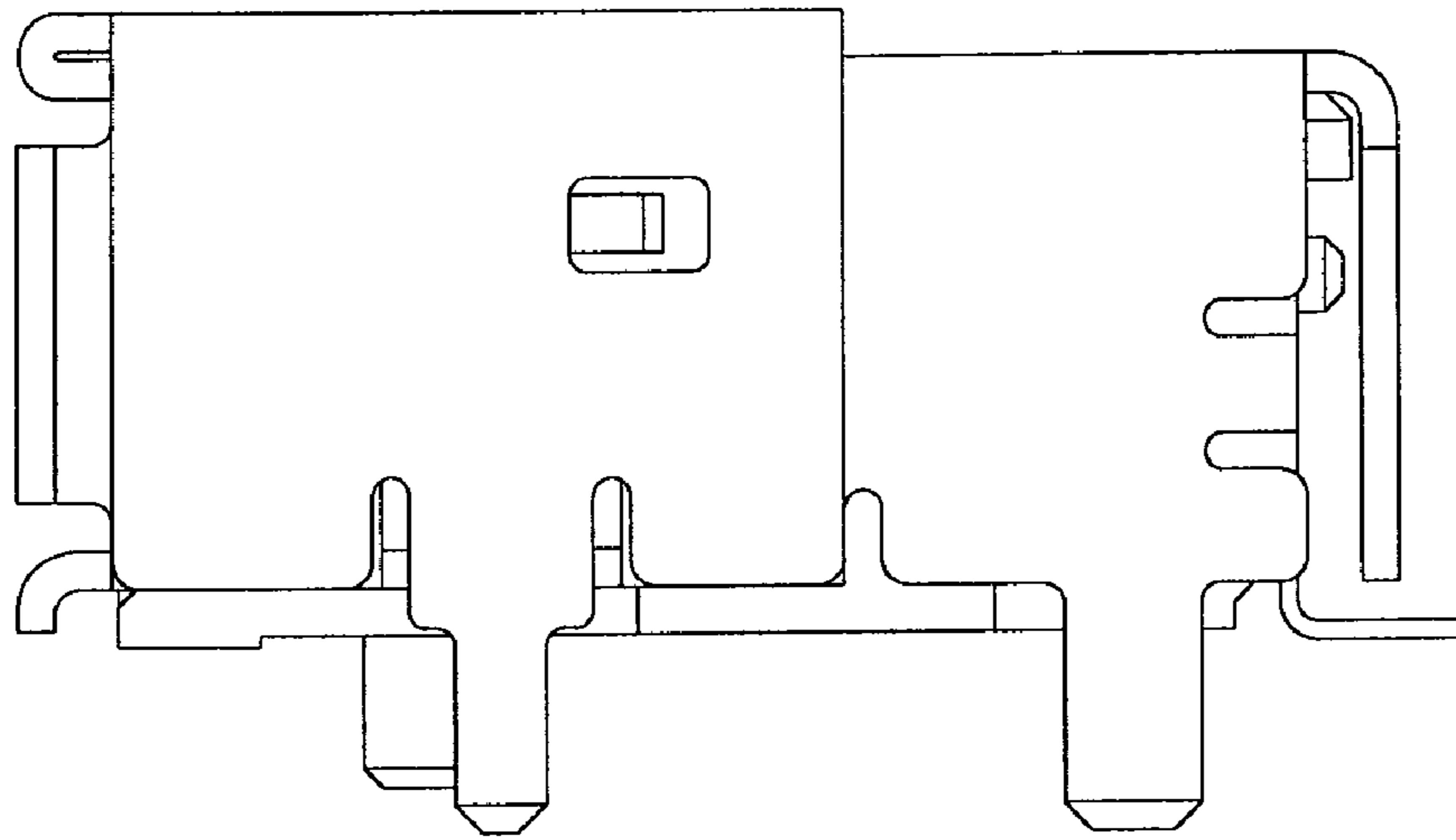


Fig. 4

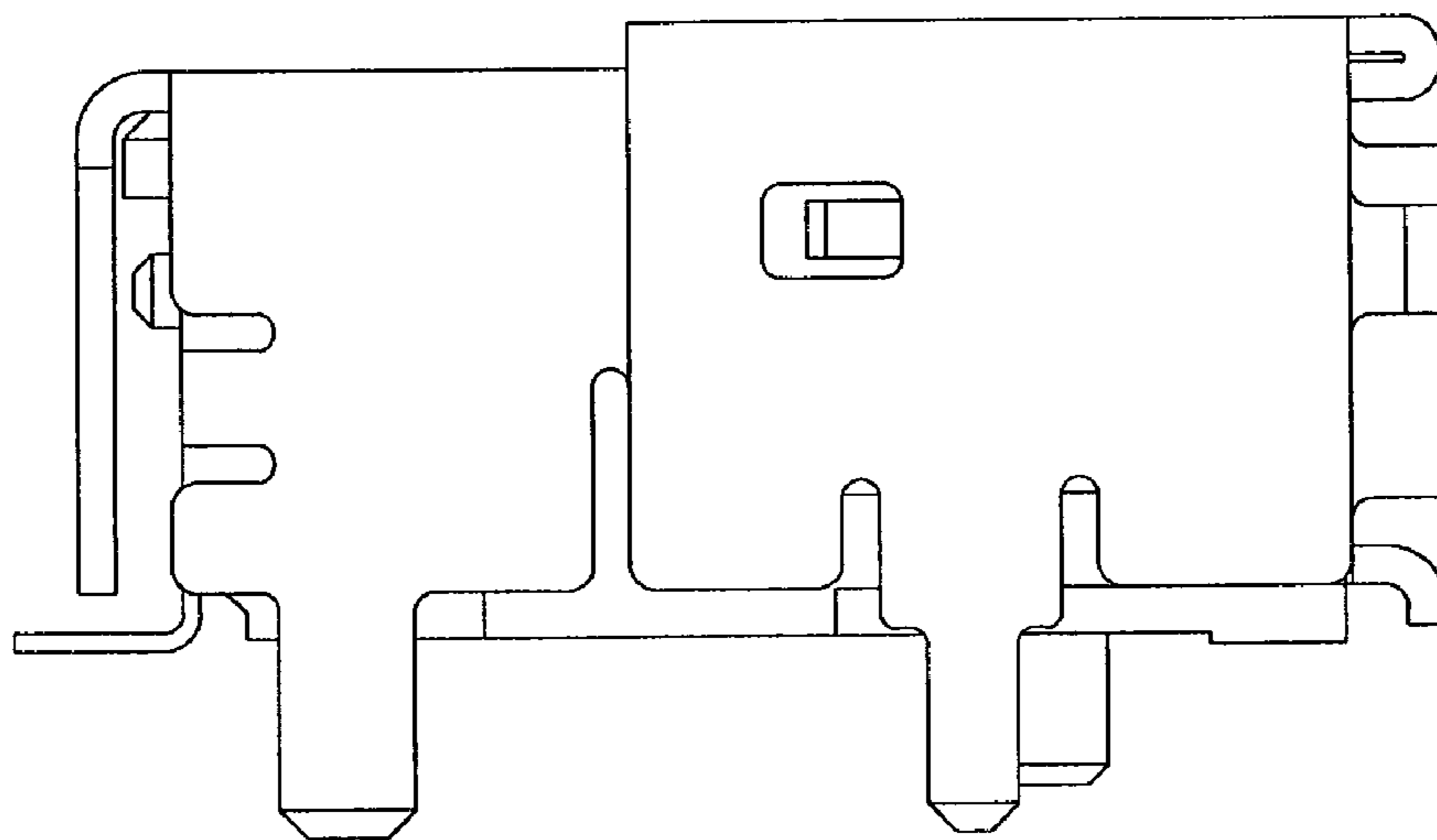


Fig. 5

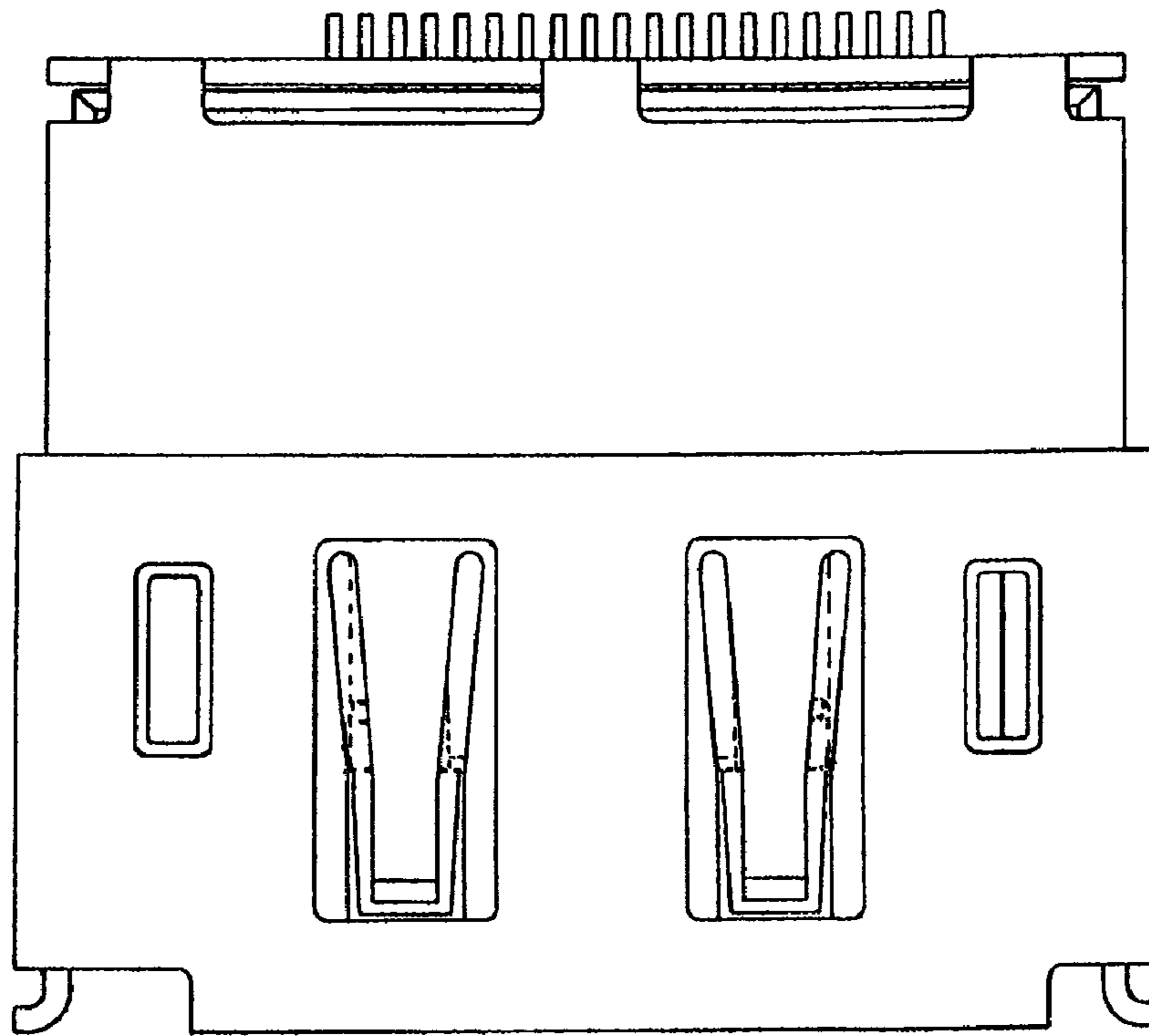


Fig. 6

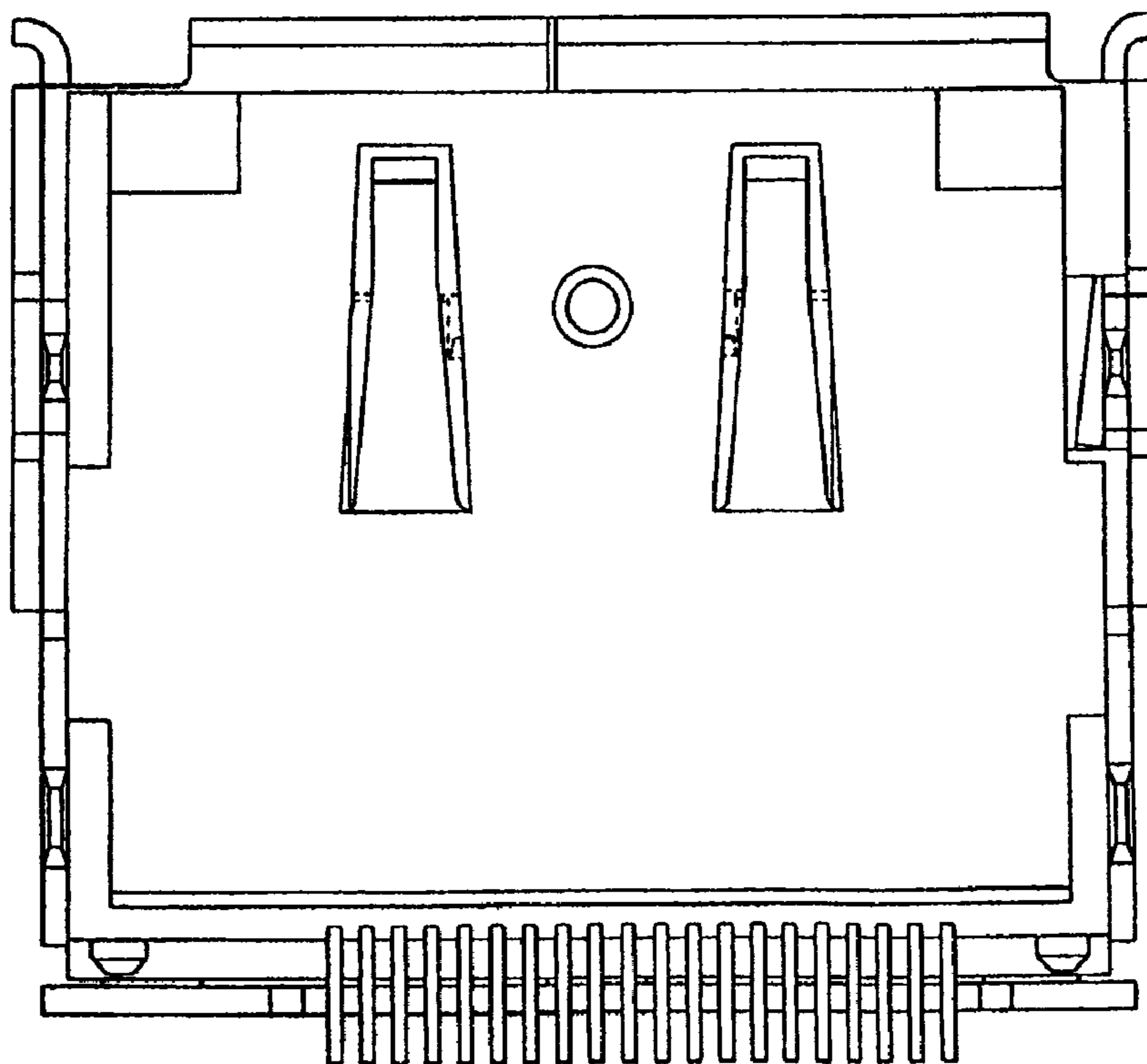


Fig. 7

