



US00D605597S

(12) **United States Design Patent**
Gao et al.

(10) **Patent No.:** **US D605,597 S**
(45) **Date of Patent:** **** Dec. 8, 2009**

(54) **RECEPTACLE CONNECTOR**

D577,339 S * 9/2008 Gao et al. D13/147
D589,886 S * 4/2009 Gao et al. D13/147

(75) Inventors: **Ni Gao**, Tu-Cheng (TW); **Wei Hong Liao**, Tu-Cheng (TW); **Ming Chiang Chen**, Tu-Cheng (TW)

* cited by examiner

Primary Examiner—Daniel D Bui

(74) *Attorney, Agent, or Firm*—Rosenberg, Klein & Lee

(73) Assignee: **Cheng Uei Precision Industry Co., Ltd.**, Taipei Hsien (TW)

(57) **CLAIM**

(**) Term: **14 Years**

The ornamental design for a receptacle connector, as shown and described.

(21) Appl. No.: **29/311,603**

(22) Filed: **Apr. 29, 2009**

DESCRIPTION

(51) **LOC (9) Cl.** **13-03**

FIG. 1 is a perspective view of a receptacle connector showing our new design;

(52) **U.S. Cl.** **D13/147**

FIG. 2 is a front elevational view thereof;

(58) **Field of Classification Search** D13/120,

FIG. 3 is a rear elevational view thereof;

D13/133, 146, 147, 154, 184, 199; 439/108,

FIG. 4 is a left side elevational view thereof;

439/352, 354, 357, 358, 374, 607, 608, 609,

FIG. 5 is a right side elevational view thereof;

439/610, 656, 676, 680

FIG. 6 is a top plan view thereof; and,

See application file for complete search history.

FIG. 7 is a bottom plan view thereof.

(56) **References Cited**

The broken line portion of the figure drawings is included to show unclaimed subject matter only and forms no part of the claimed design.

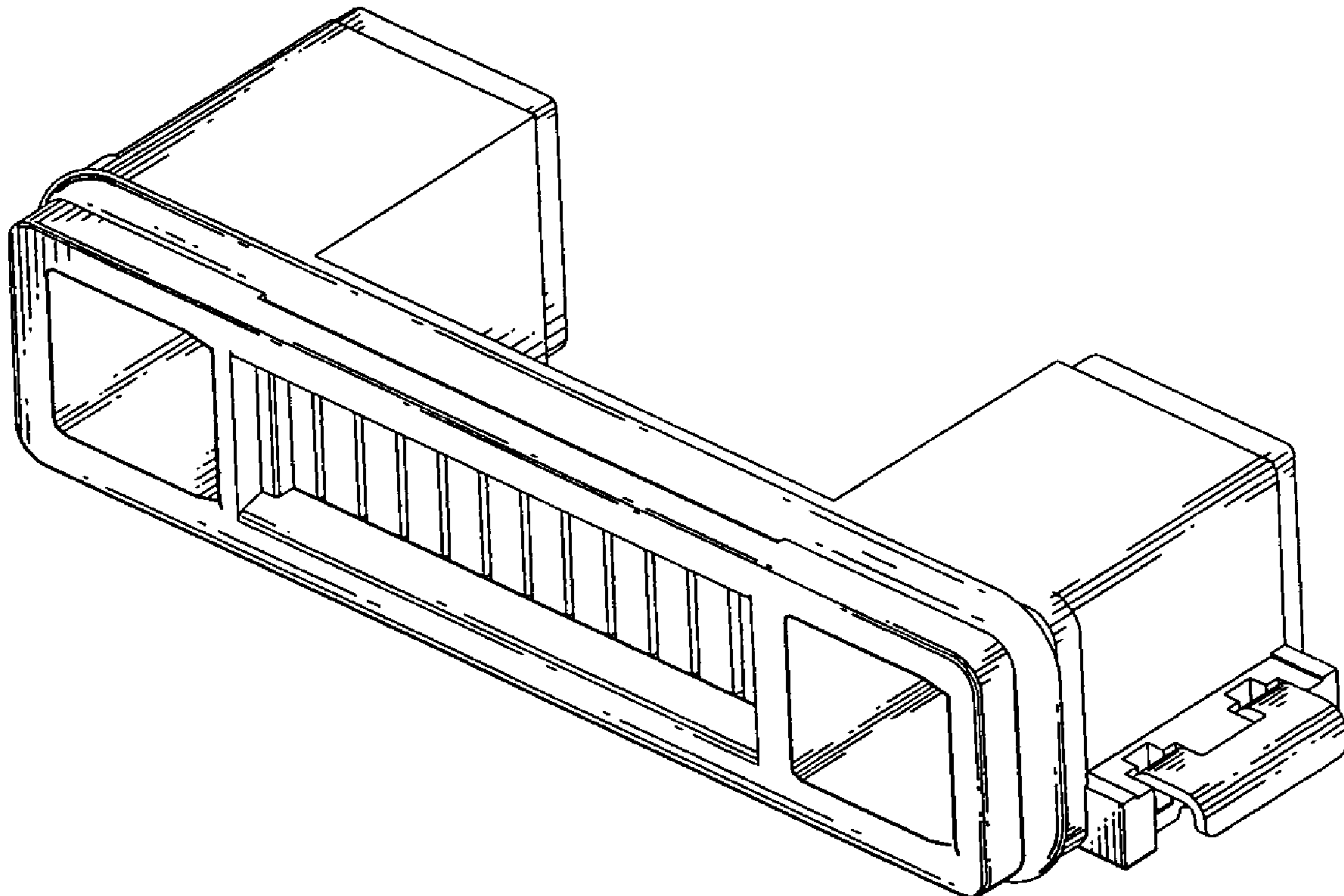
U.S. PATENT DOCUMENTS

D517,990 S * 3/2006 de Jonge et al. D13/147

D570,785 S * 6/2008 Shen et al. D13/147

D571,731 S * 6/2008 Chiang et al. D13/146

1 Claim, 7 Drawing Sheets



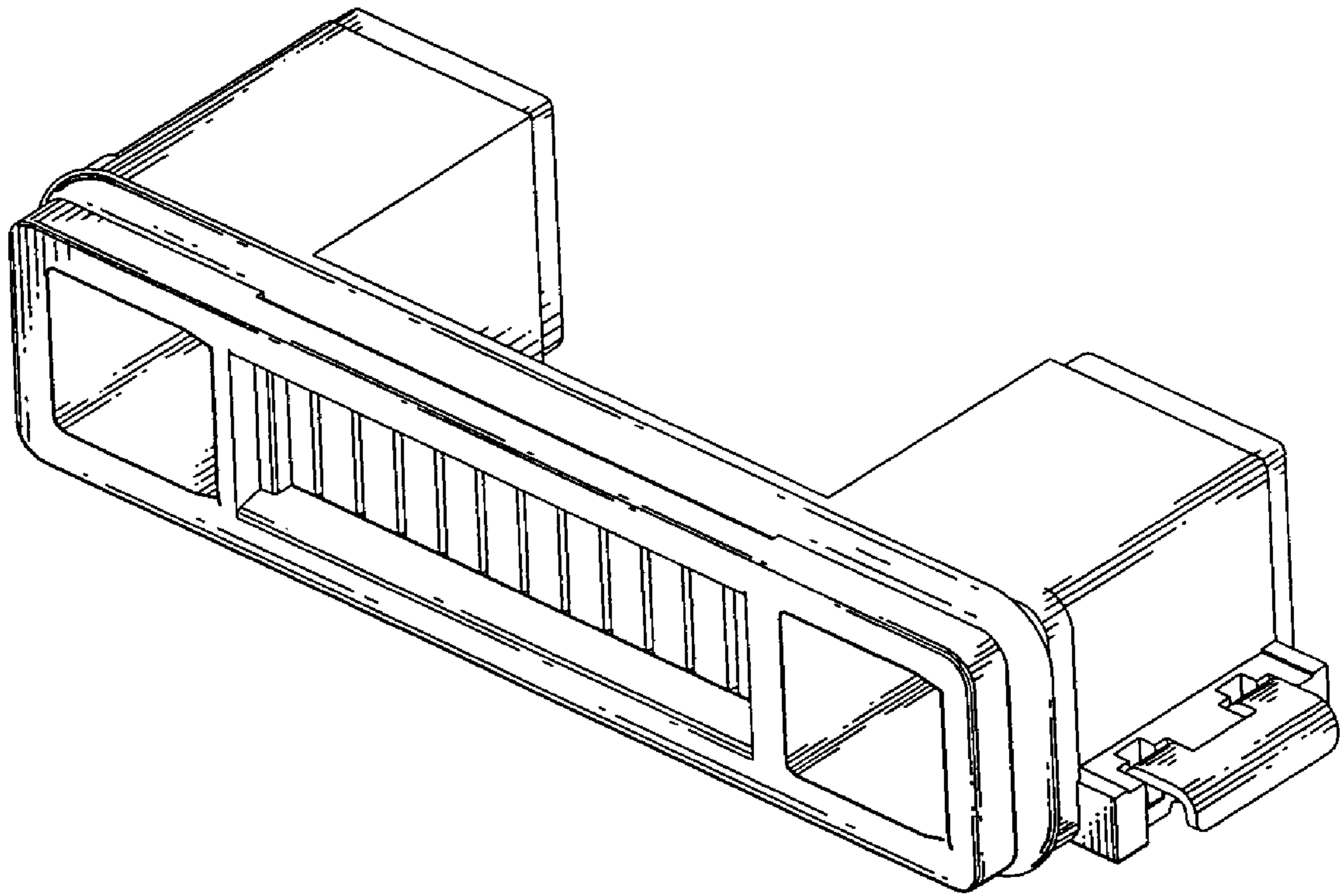


FIG. 1

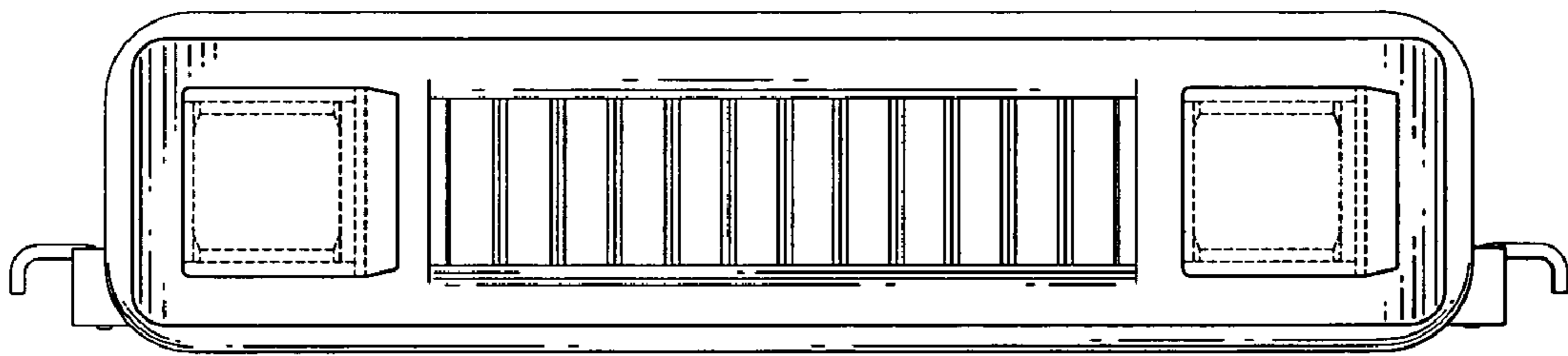


FIG. 2

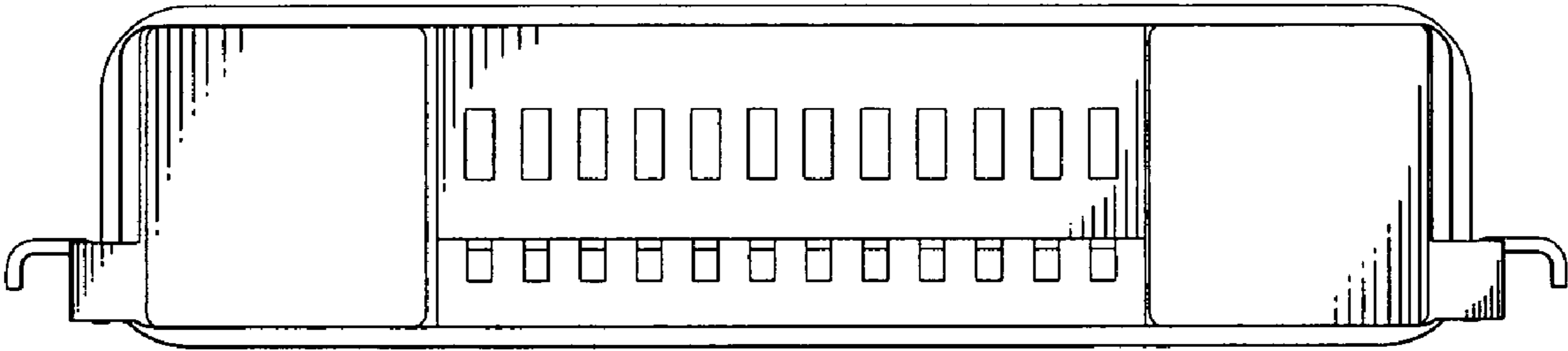


FIG. 3

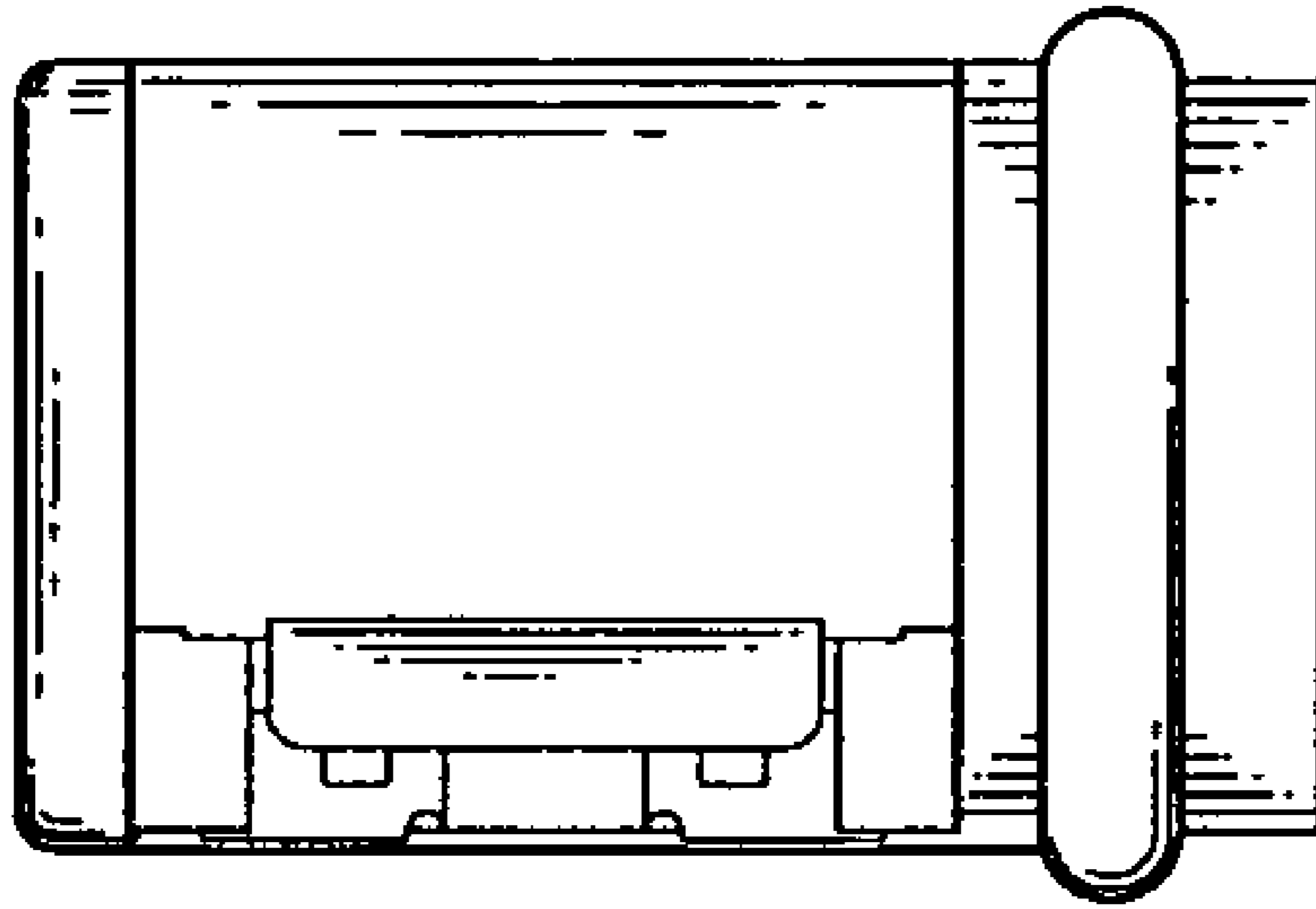


FIG. 4

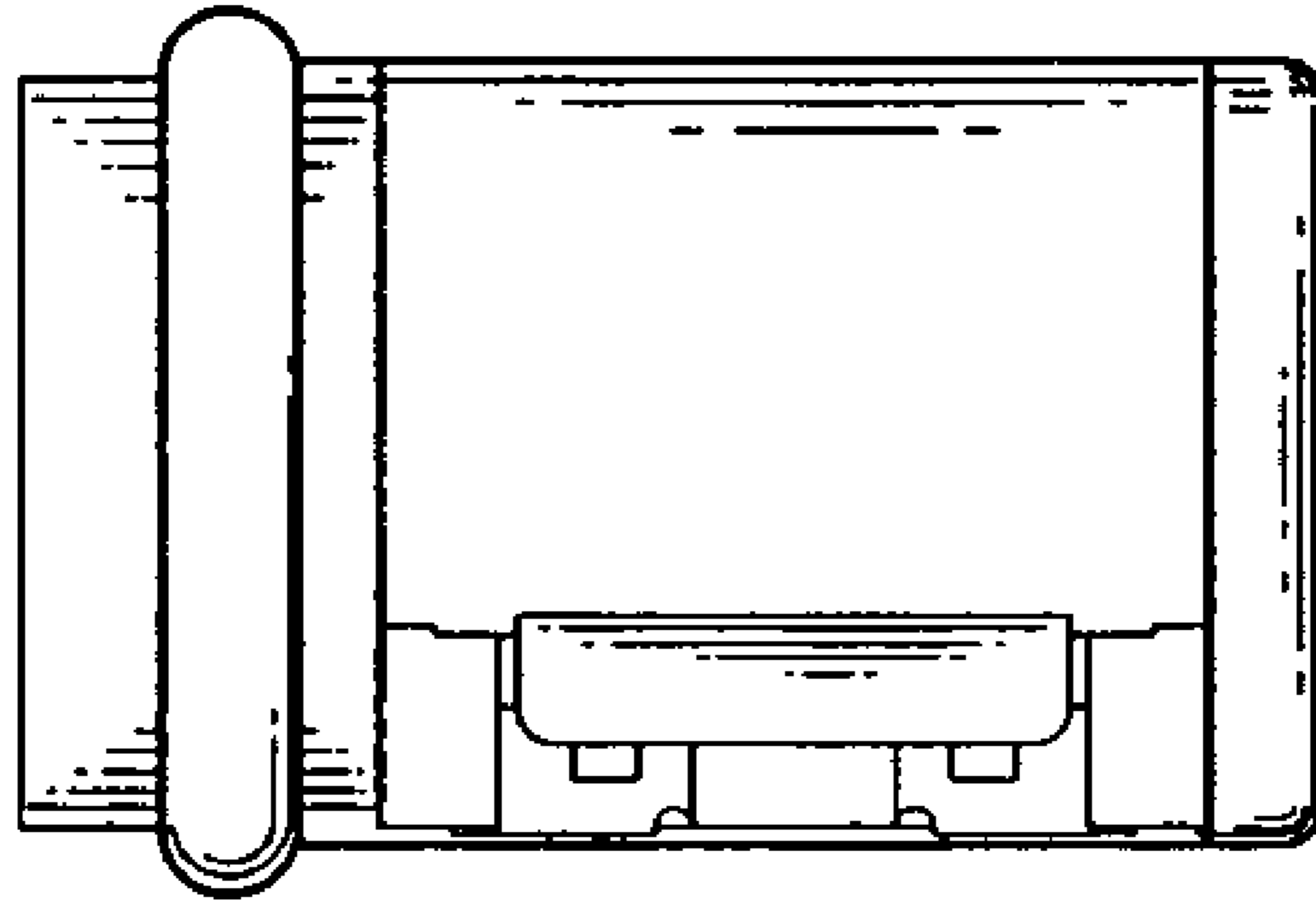


FIG. 5

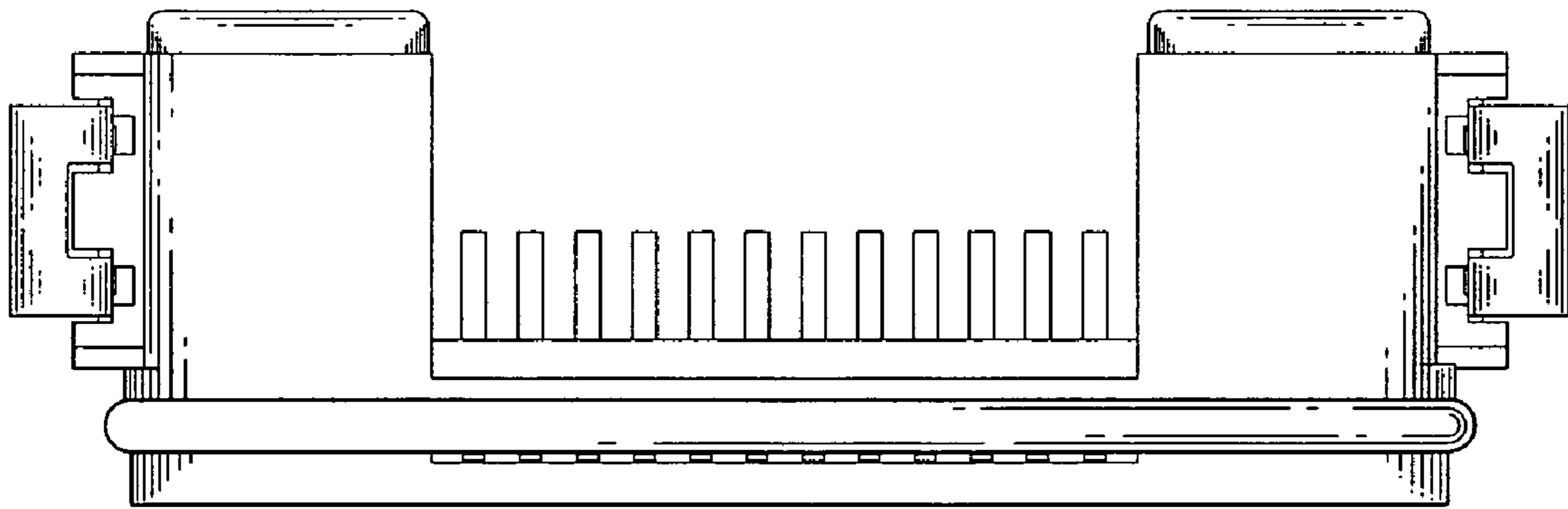


FIG. 6

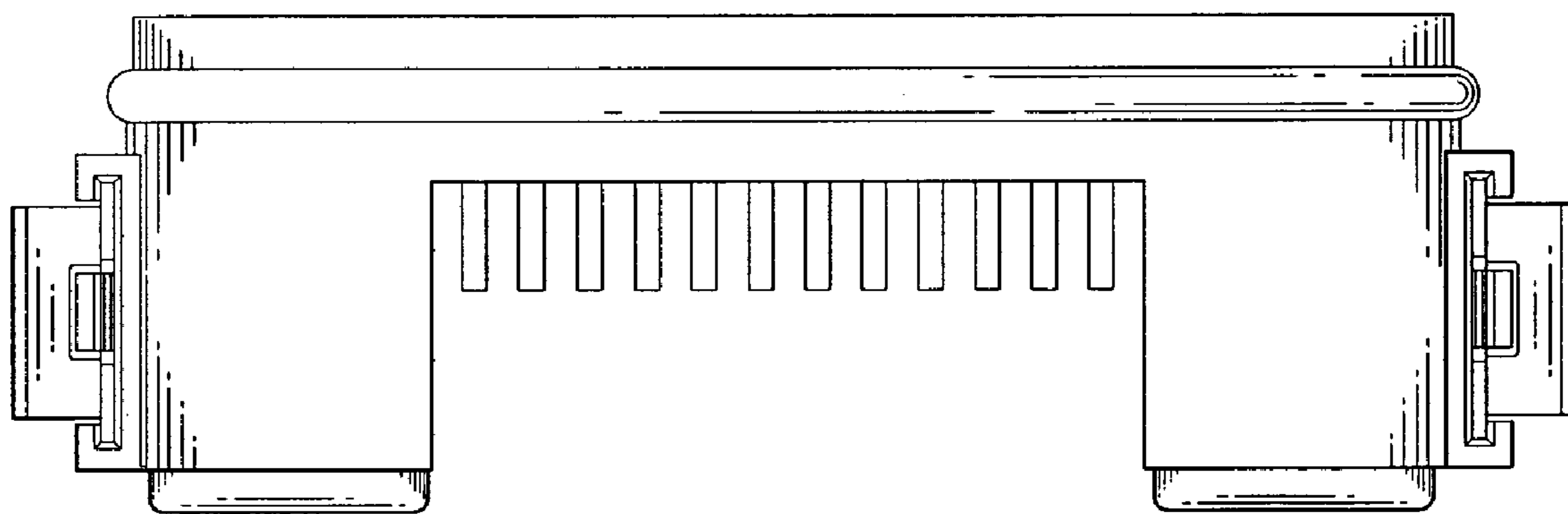


FIG. 7