



US00D605593S

(12) **United States Design Patent**  
**Ohara et al.**

(10) **Patent No.:** **US D605,593 S**  
(45) **Date of Patent:** **\*\* Dec. 8, 2009**

(54) **SEPARATOR FOR FUEL CELL**

3,367,063 A 2/1968 Bondesen  
4,109,434 A 8/1978 Katzin  
D273,860 S 5/1984 Bolt  
4,487,989 A 12/1984 Wakefield

(75) Inventors: **Hideo Ohara**, Katano (JP); **Masaaki Miyoshi**, Osu (JP); **Hikaru Murakami**, Sajo (JP); **Kazuhito Hatoh**, Osaka (JP)

(Continued)

(73) Assignee: **Panasonic Corporation**, Kadoma-shi (JP)

**FOREIGN PATENT DOCUMENTS**

(\*\*) Term: **14 Years**

JP 9-134734 A 5/1997  
JP 2000-48849 A 2/2000

(21) Appl. No.: **29/319,428**

**OTHER PUBLICATIONS**

(22) Filed: **Jun. 9, 2008**

U.S. Office Action dated Jun. 11, 2008, issued in parent U.S. Appl. No. 29/217,516, filed Nov. 17, 2004.

**Related U.S. Application Data**

*Primary Examiner*—Prabhakar Deshmukh  
*Assistant Examiner*—Derrick Holland

(62) Division of application No. 29/217,516, filed on Nov. 17, 2004, now Pat. No. Des. 585,826.

(74) *Attorney, Agent, or Firm*—Christensen O'Connor Johnson Kindness PLLC

(30) **Foreign Application Priority Data**

(57) **CLAIM**

Jun. 24, 2004 (JP) ..... 2004-018899  
Jun. 24, 2004 (JP) ..... 2004-018900  
Jun. 24, 2004 (JP) ..... 2004-018901  
Jun. 24, 2004 (JP) ..... 2004-018902  
Jun. 24, 2004 (JP) ..... 2004-018903  
Jun. 24, 2004 (JP) ..... 2004-018904  
Jun. 24, 2004 (JP) ..... 2004-018905  
Jun. 24, 2004 (JP) ..... 2004-018906

The ornamental design for a separator for fuel cell, as shown and described.

(51) **LOC (9) Cl.** ..... **13-01**  
(52) **U.S. Cl.** ..... **D13/122; D13/118**  
(58) **Field of Classification Search** ..... D13/118,  
D13/101, 103, 199; D21/494; D25/102,  
D25/113, 118, 138; 29/623, 623.1; 204/242,  
204/254-257; 429/19, 30-39, 99, 100  
See application file for complete search history.

**DESCRIPTION**

FIG. 1 is a perspective view of top, front and right side of a separator for fuel cell showing our new design;

FIG. 2 is a left side view thereof, the right side view is identical thereof;

FIG. 3 is a front view thereof;

FIG. 4 is a rear view thereof;

FIG. 5 is a top plan view thereof, the bottom view is identical thereof; and,

FIG. 6 is a partially enlarged view thereof.

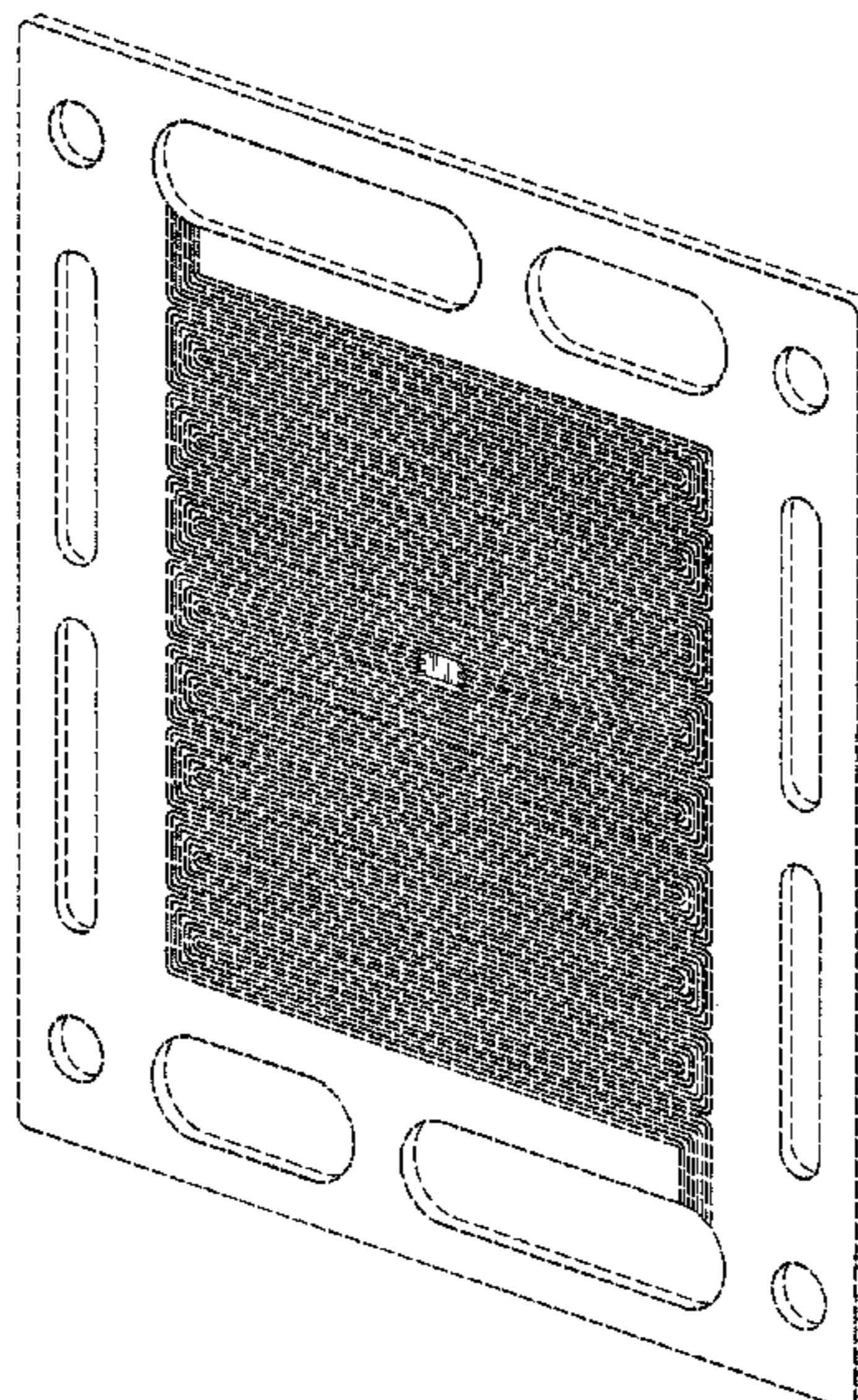
The portions of the article in broken lines are shown for illustrative purposes only and form no part of the claimed design.

(56) **References Cited**

**U.S. PATENT DOCUMENTS**

3,262,083 A 7/1966 Gooding

**1 Claim, 4 Drawing Sheets**



# US D605,593 S

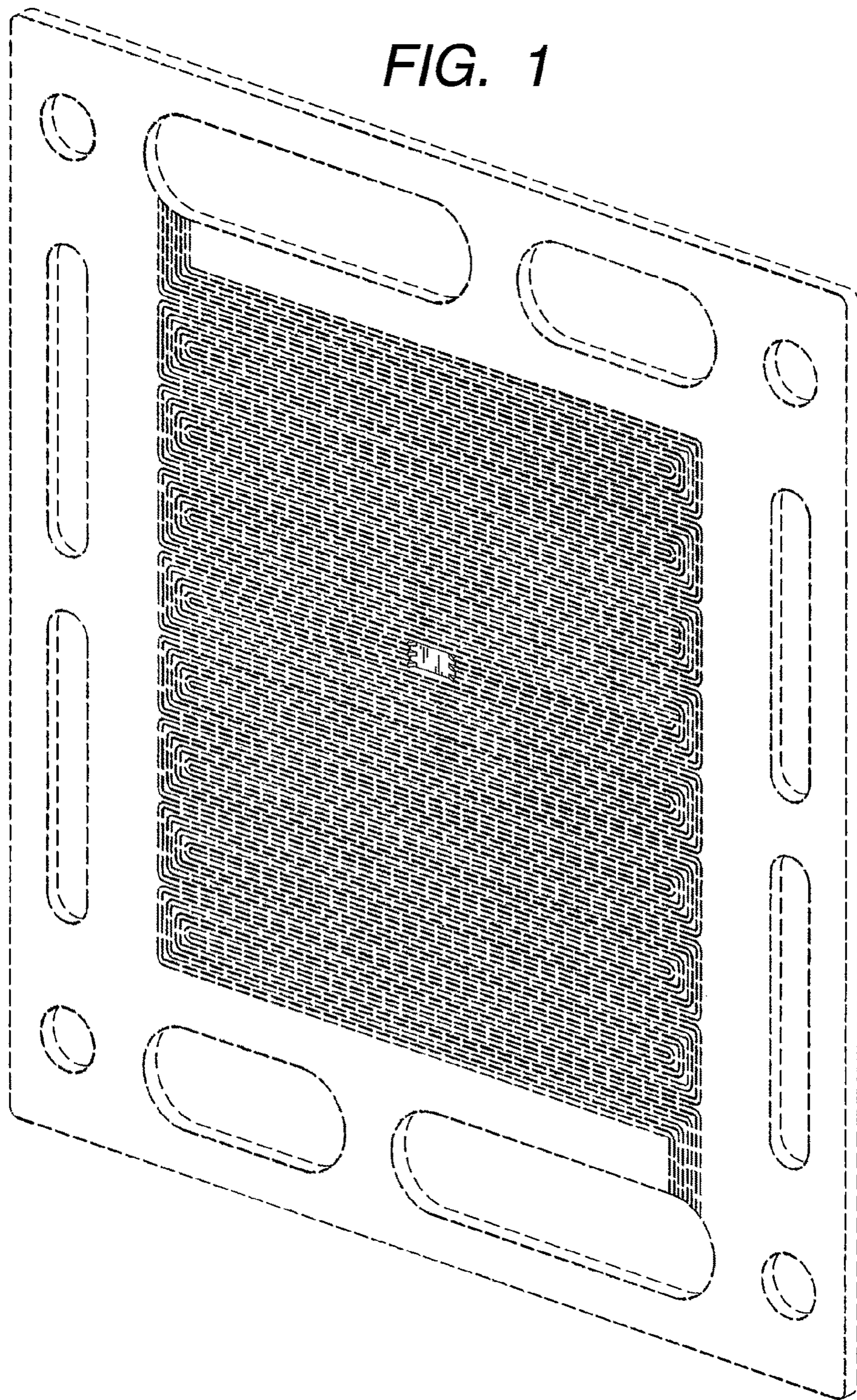
Page 2

---

## U.S. PATENT DOCUMENTS

|           |     |         |                         |        |           |      |         |                    |          |
|-----------|-----|---------|-------------------------|--------|-----------|------|---------|--------------------|----------|
| 4,609,595 | A * | 9/1986  | Nickols .....           | 429/35 | D431,524  | S    | 10/2000 | Sugita             |          |
| 4,895,774 | A   | 1/1990  | Ohzu                    |        | D432,495  | S    | 10/2000 | Sugita             |          |
| 4,910,100 | A   | 3/1990  | Nakanishi               |        | 6,216,406 | B1   | 4/2001  | Hauser             |          |
| 4,977,041 | A * | 12/1990 | Shiozawa et al. ....    | 429/26 | 6,245,453 | B1   | 6/2001  | Iwase              |          |
| D317,210  | S   | 5/1991  | Rodriguez               |        | D454,215  | S    | 3/2002  | Nelson             |          |
| 5,108,849 | A   | 4/1992  | Watkins                 |        | 6,426,160 | B1   | 7/2002  | Hagino             |          |
| 5,342,706 | A * | 8/1994  | Marianowski et al. .... | 429/35 | 6,494,926 | B1 * | 12/2002 | Saito et al. ....  | 29/623.1 |
| 5,399,442 | A   | 3/1995  | Shundo                  |        | 6,599,651 | B1 * | 7/2003  | Saitou et al. .... | 429/34   |
| D373,203  | S   | 8/1996  | Kornfalt                |        | D478,360  | S    | 8/2003  | Manville           |          |
| 5,563,003 | A   | 10/1996 | Suzuki                  |        | 6,607,857 | B2   | 8/2003  | Blunk              |          |
| 5,772,038 | A   | 6/1998  | Murata                  |        | 6,749,959 | B2 * | 6/2004  | Nakata et al. .... | 429/34   |

\* cited by examiner



*FIG. 2*

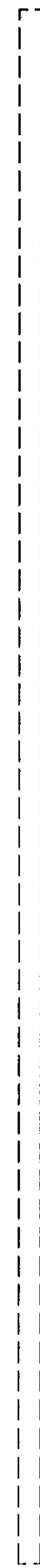


FIG. 3

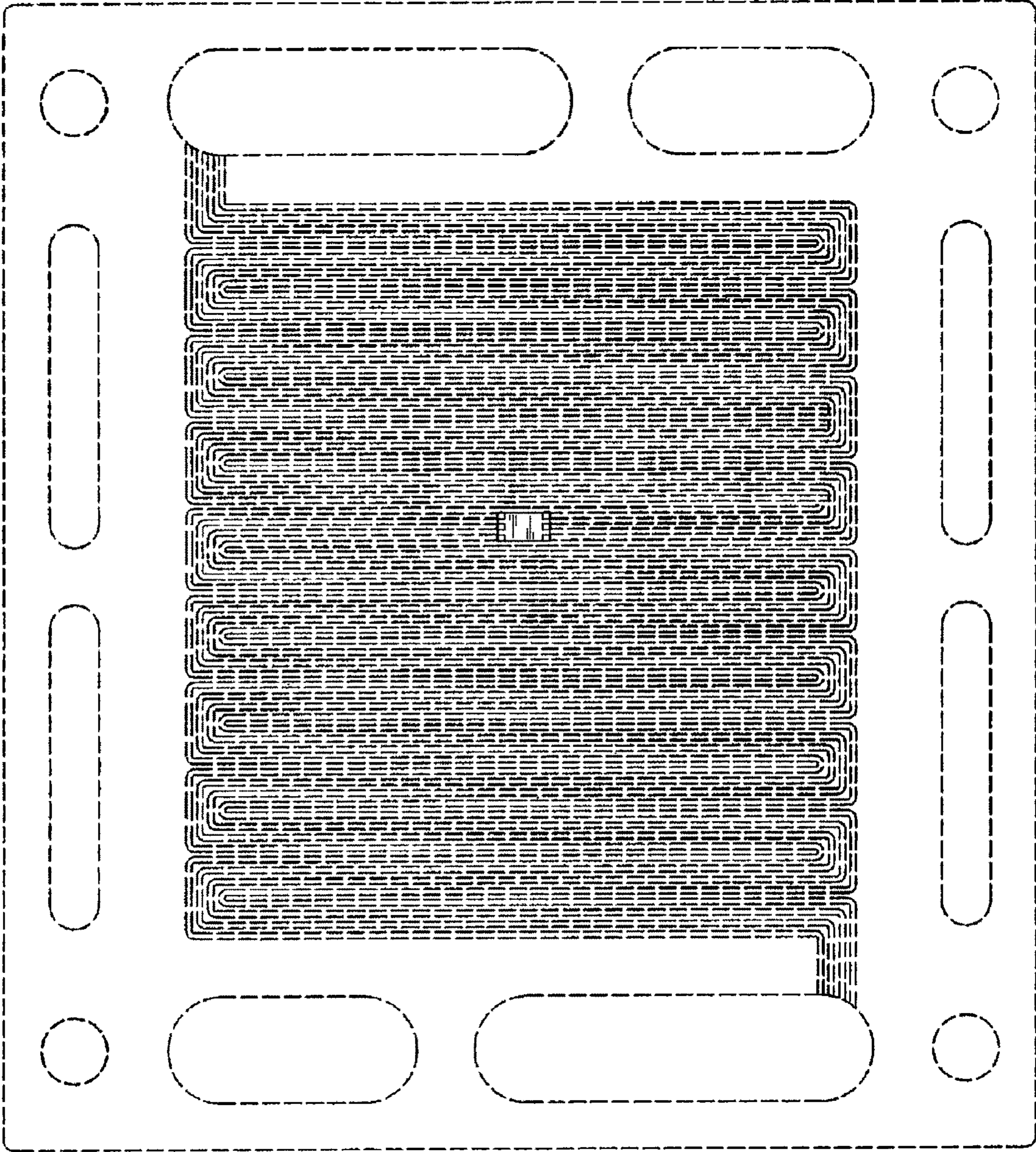
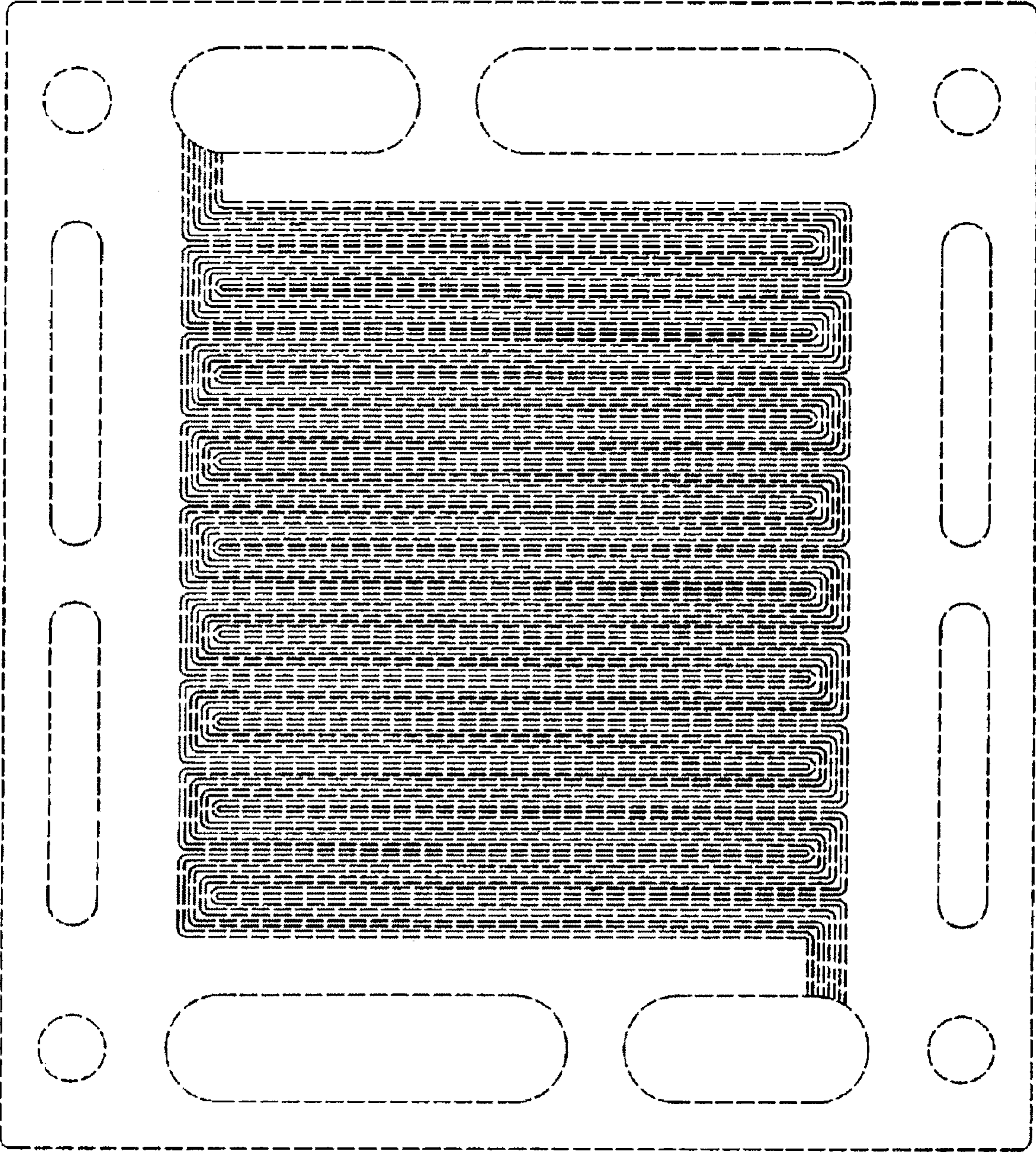
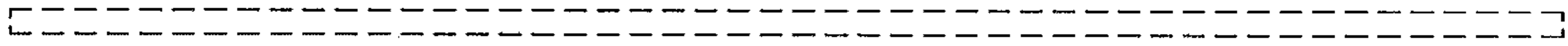


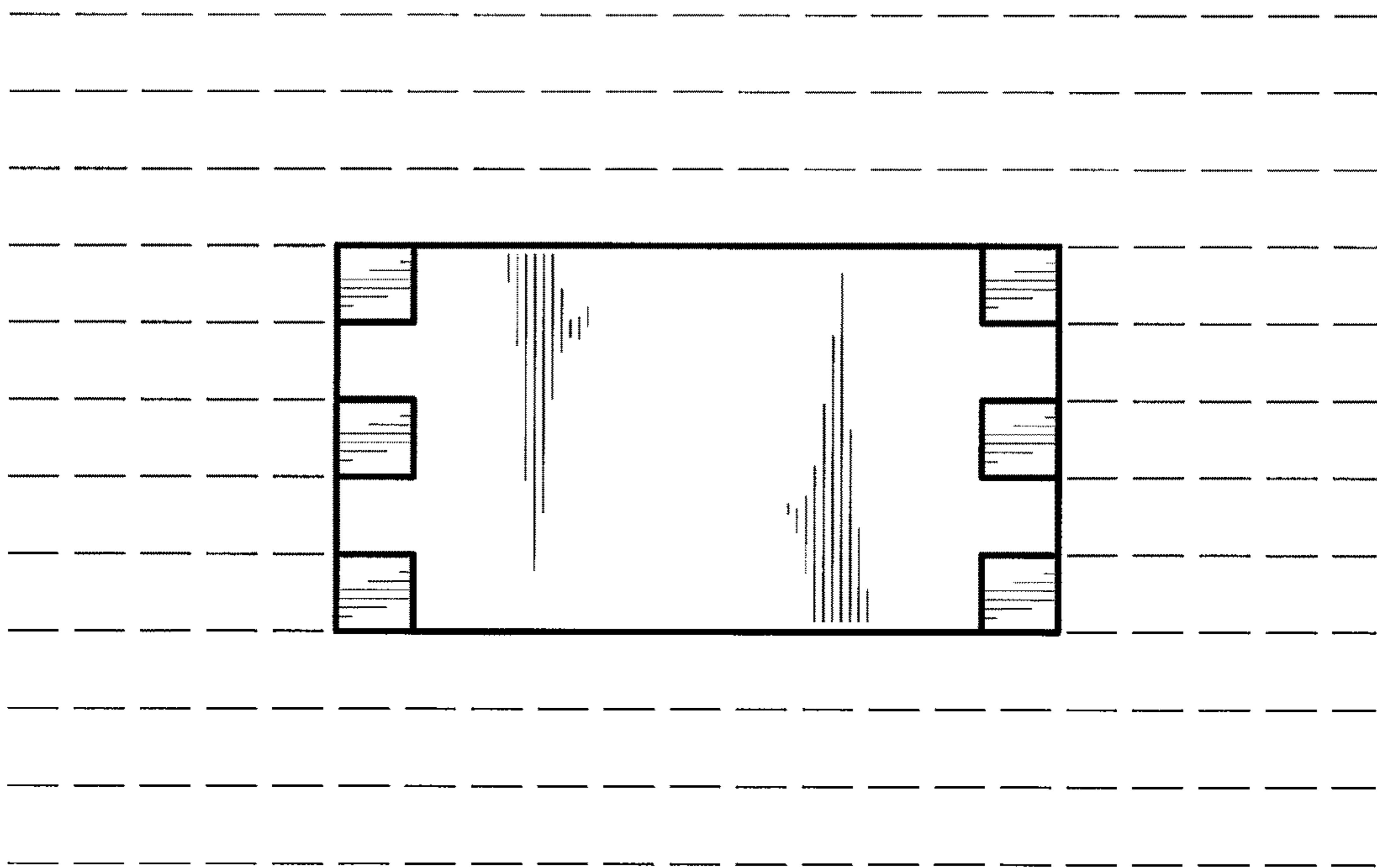
FIG. 4



*FIG. 5*



*FIG. 6*



UNITED STATES PATENT AND TRADEMARK OFFICE  
**CERTIFICATE OF CORRECTION**

PATENT NO. : Des. 605,593 S  
APPLICATION NO. : 29/319428  
DATED : December 8, 2009  
INVENTOR(S) : H. Ohara et al.

Page 1 of 1

It is certified that error appears in the above-identified patent and that said Letters Patent is hereby corrected as shown below:

| <u>COLUMN</u>      | <u>LINE</u>          | <u>ERROR</u>                 |
|--------------------|----------------------|------------------------------|
| (75)<br>Title Page | Inventors,<br>line 3 | “Sajo” should read --Saijo-- |

Signed and Sealed this

Twenty-second Day of June, 2010



David J. Kappos  
*Director of the United States Patent and Trademark Office*