



US00D605591S

(12) **United States Design Patent**
Mai et al.

(10) **Patent No.:** **US D605,591 S**

(45) **Date of Patent:** **** Dec. 8, 2009**

(54) **BATTERY CONNECTOR**

(75) Inventors: **Yuan Li Mai**, Tu-Cheng (TW); **Hsin Tsung Ho**, Tu-Cheng (TW)

(73) Assignee: **Cheng Uei Precision Industry Co., Ltd.**, Taipei Hsien (TW)

(**) Term: **14 Years**

(21) Appl. No.: **29/311,588**

(22) Filed: **Apr. 24, 2009**

(51) **LOC (9) Cl.** **13-03**

(52) **U.S. Cl.** **D13/120**

(58) **Field of Classification Search** D13/118–121,
D13/133, 146–147, 184, 199; 439/83, 108,
439/166, 500, 577, 630, 660, 680, 700, 773.1,
439/862

See application file for complete search history.

(56) **References Cited**

U.S. PATENT DOCUMENTS

D419,522 S *	1/2000	Kamagai	D13/120
D557,212 S *	12/2007	Huang et al.	D13/120
D558,671 S *	1/2008	Chen	D13/120
D559,181 S *	1/2008	Yan	D13/120
D561,098 S *	2/2008	Kobayashi et al.	D13/120
D561,099 S *	2/2008	Kobayashi	D13/120
D561,100 S *	2/2008	Hsu et al.	D13/120
D562,251 S *	2/2008	Ma et al.	D13/147
D563,322 S *	3/2008	Ma	D13/146
D571,724 S *	6/2008	Chen et al.	D13/120

D585,373 S *	1/2009	Hung	D13/120
D591,676 S *	5/2009	Hung	D13/120
D593,490 S *	6/2009	Hung	D13/120

* cited by examiner

Primary Examiner—Rosemary K Tarcza

(74) *Attorney, Agent, or Firm*—Rosenberg, Klein & Lee

(57) **CLAIM**

The ornamental design for a battery connector, as shown and described.

DESCRIPTION

FIG. 1 is a perspective view of a battery connector showing our new design;

FIG. 2 is a front elevational view thereof;

FIG. 3 is a rear elevational view thereof;

FIG. 4 is a left side elevational view thereof;

FIG. 5 is a right side elevational view thereof;

FIG. 6 is a top plan view thereof;

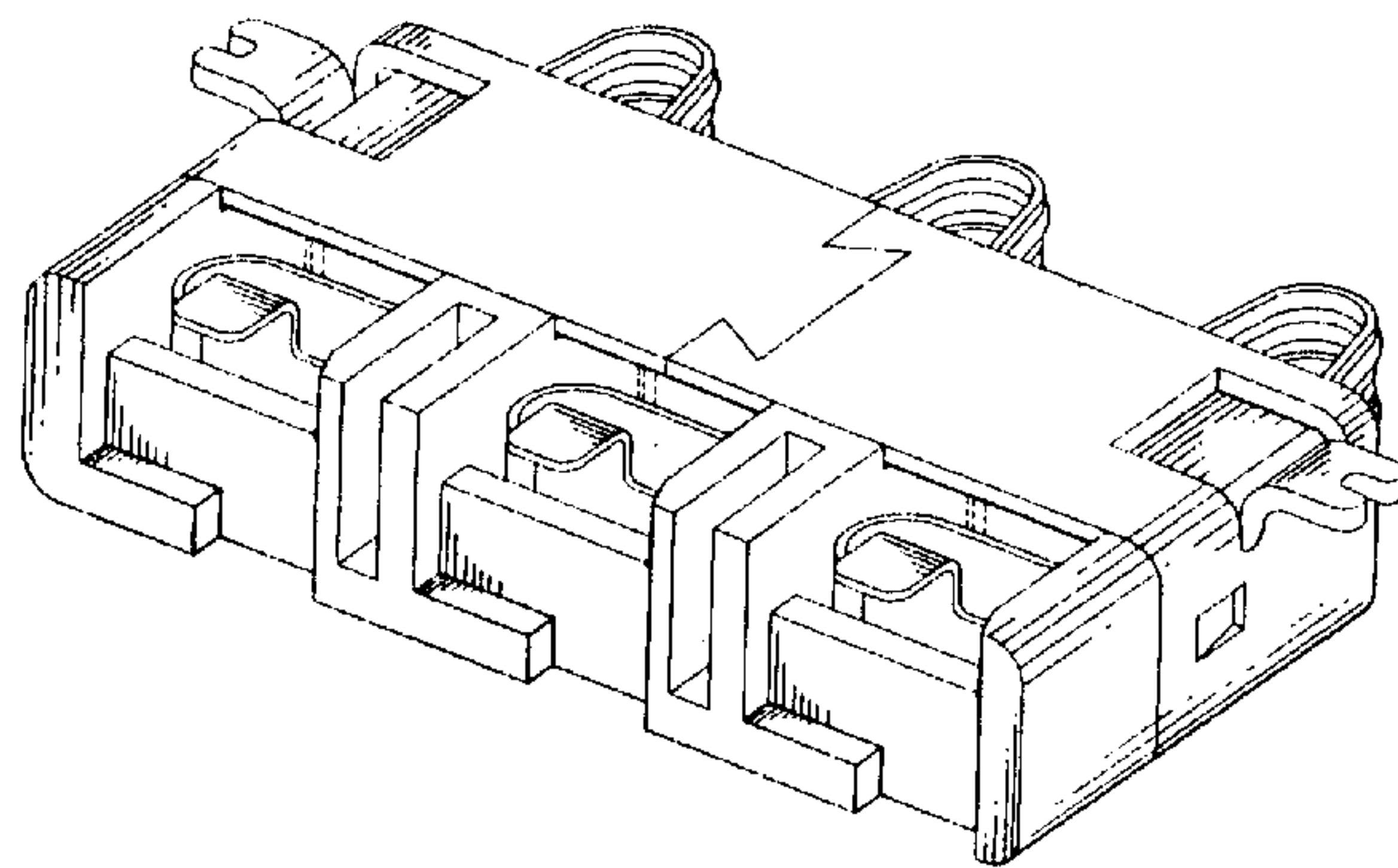
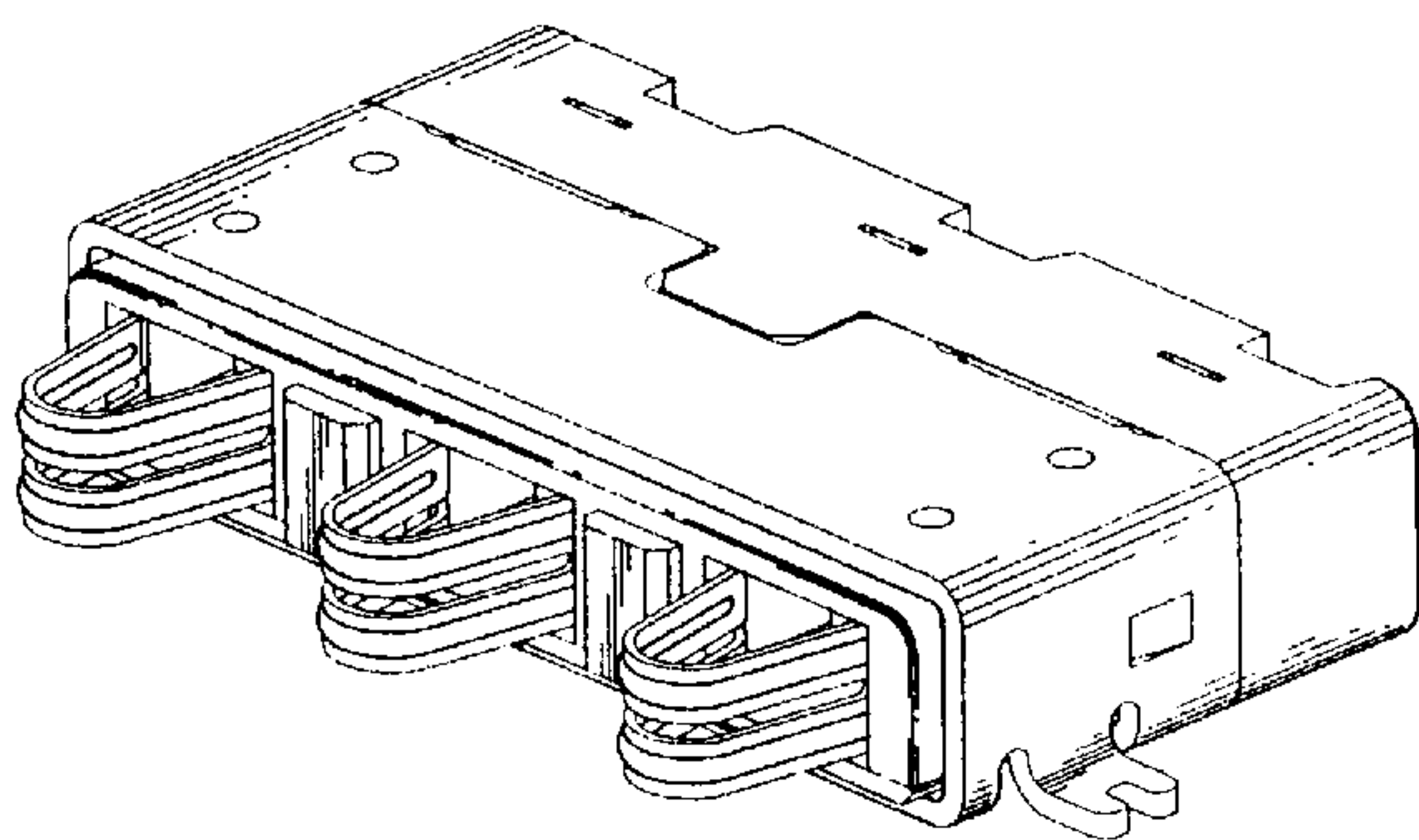
FIG. 7 is a bottom plan view thereof;

FIG. 8 is another perspective view of the battery connector showing our new design; and,

FIG. 9 is a perspective view showing the battery connector being mounted on a printed circuit board.

The broken lines in the Figures are for illustrative purposes and form no part of the claimed designs.

1 Claim, 9 Drawing Sheets



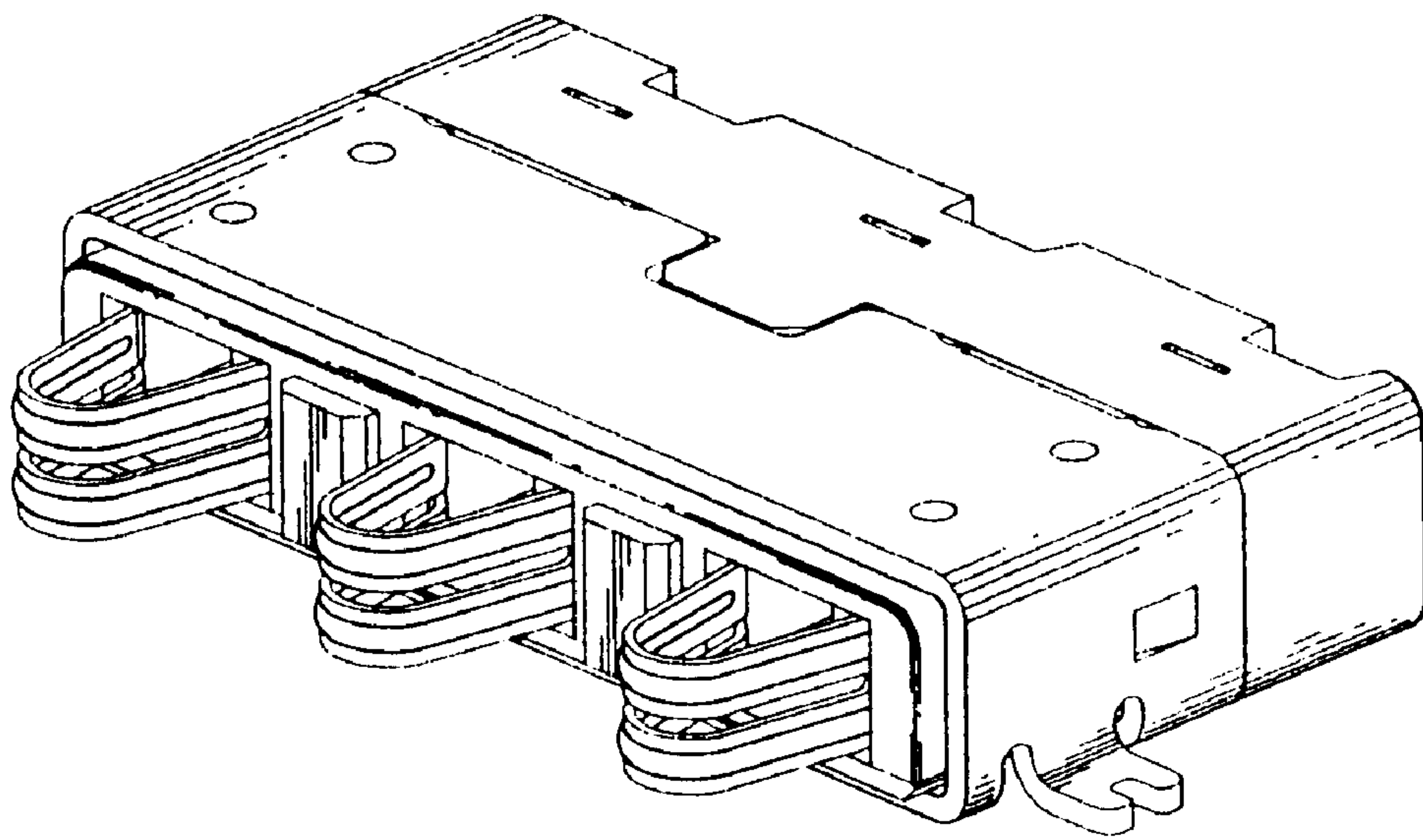


FIG. 1

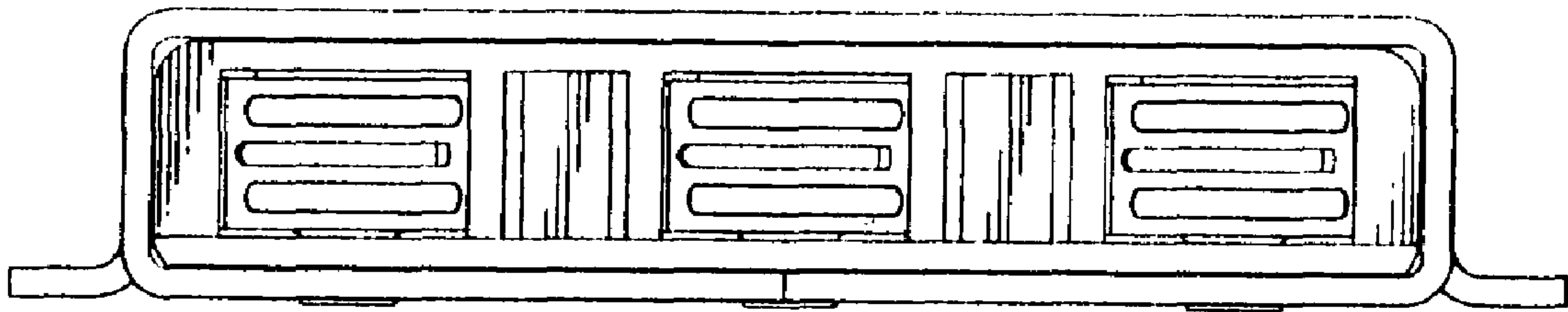


FIG. 2

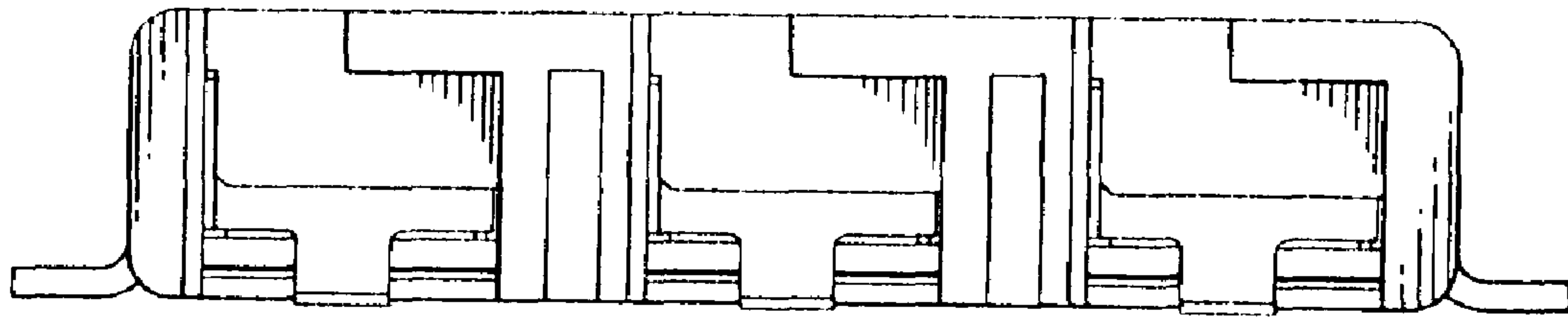


FIG. 3

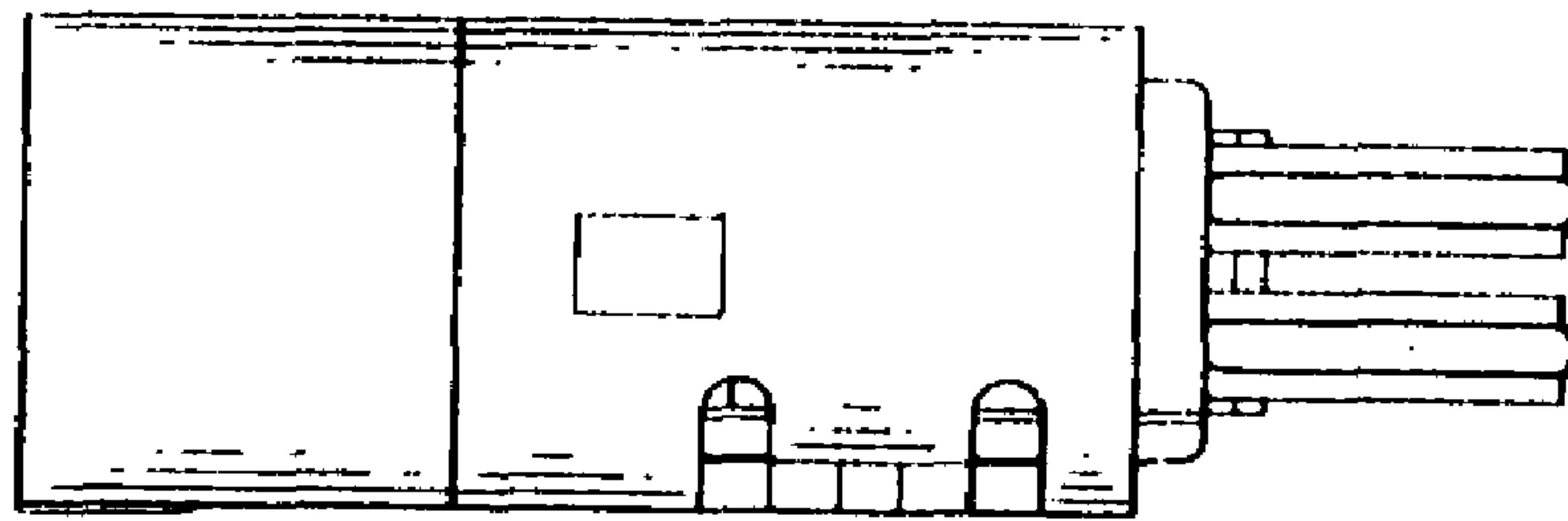


FIG. 4

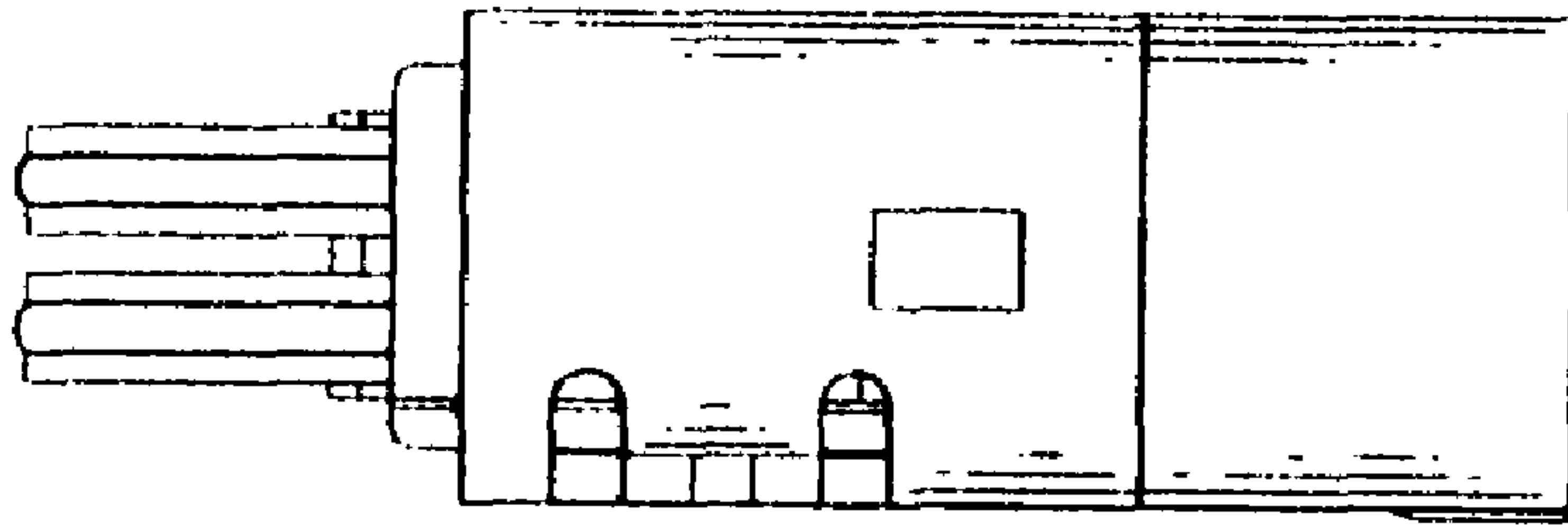


FIG. 5

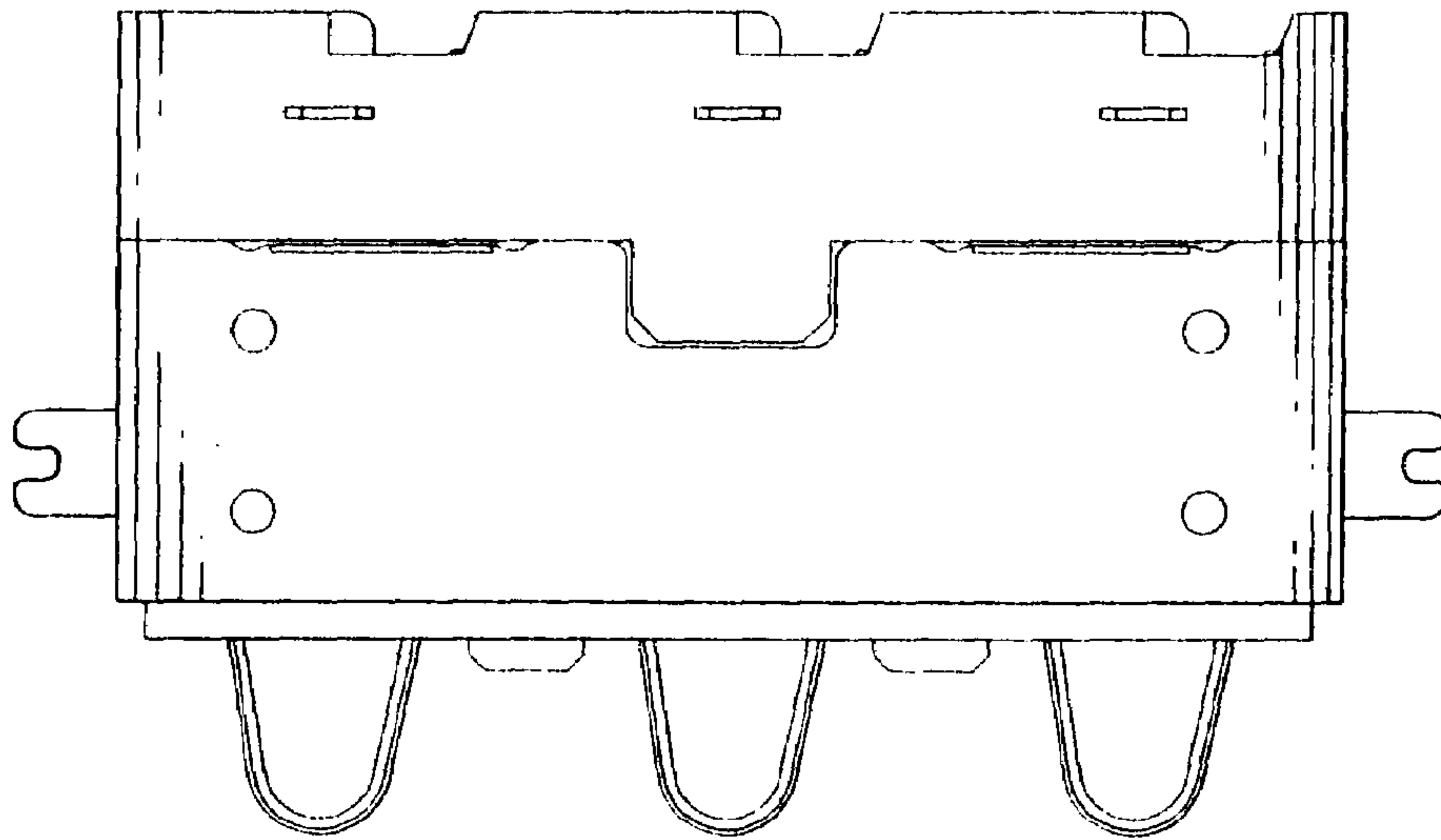


FIG. 6

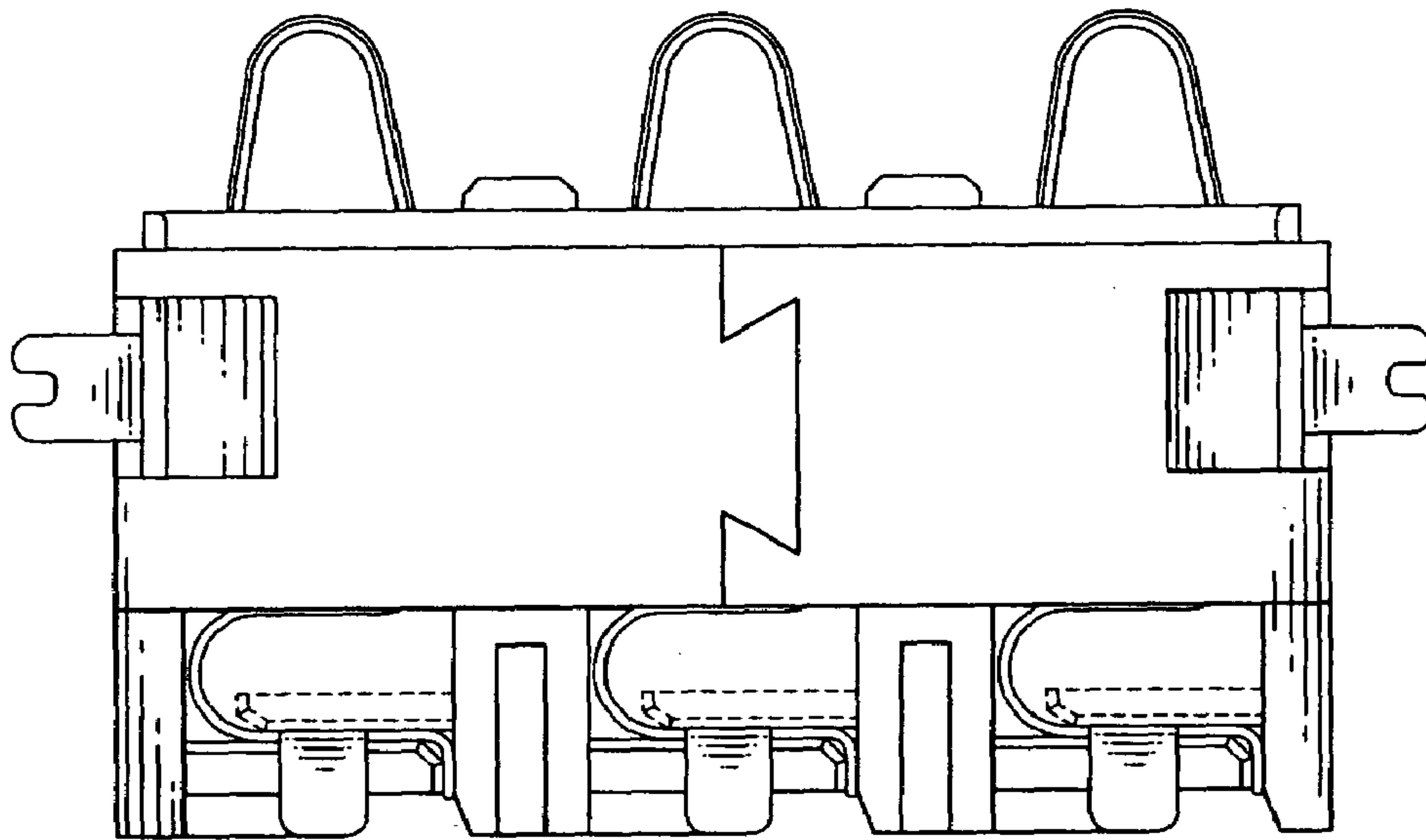


FIG. 7

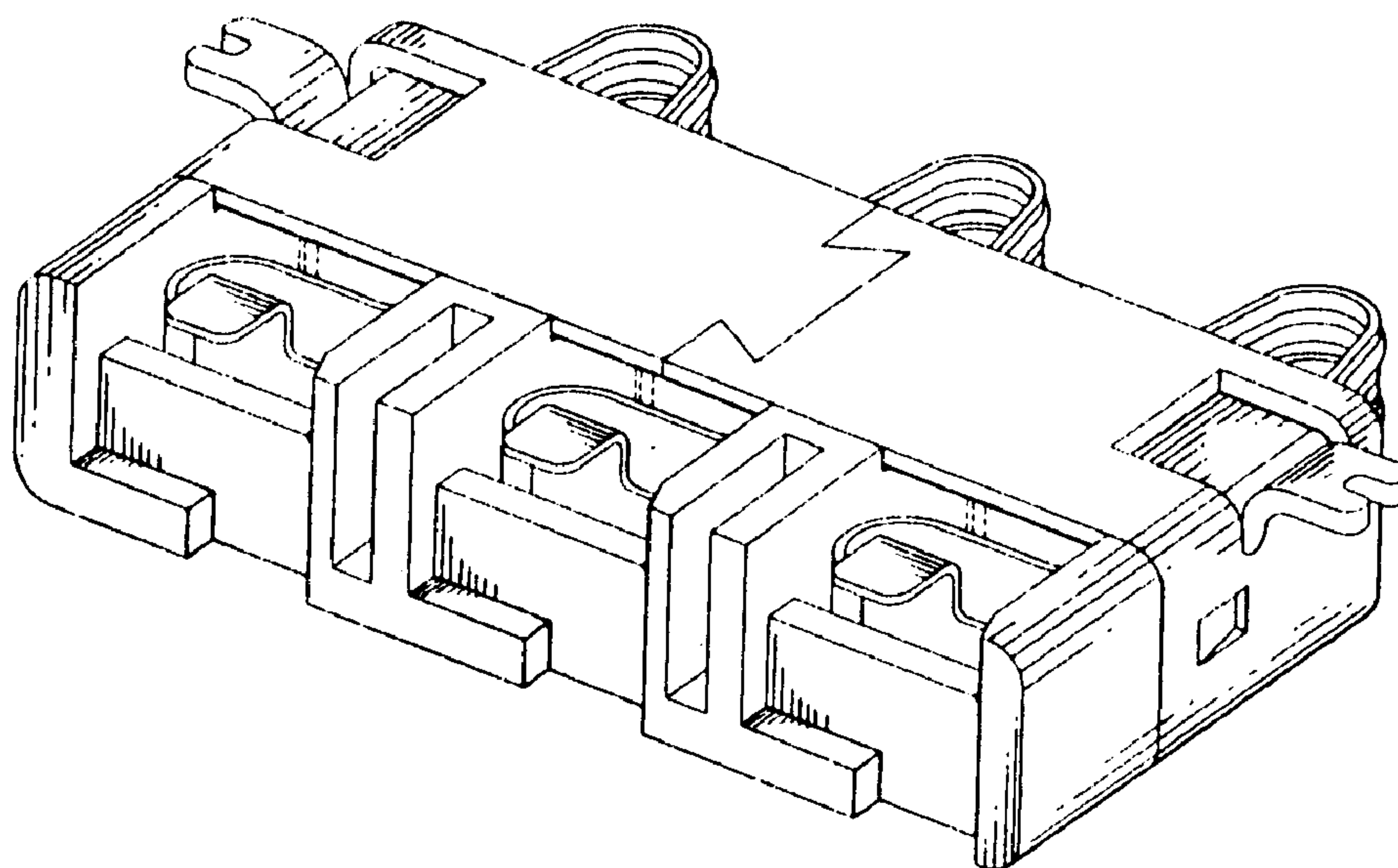


FIG. 8

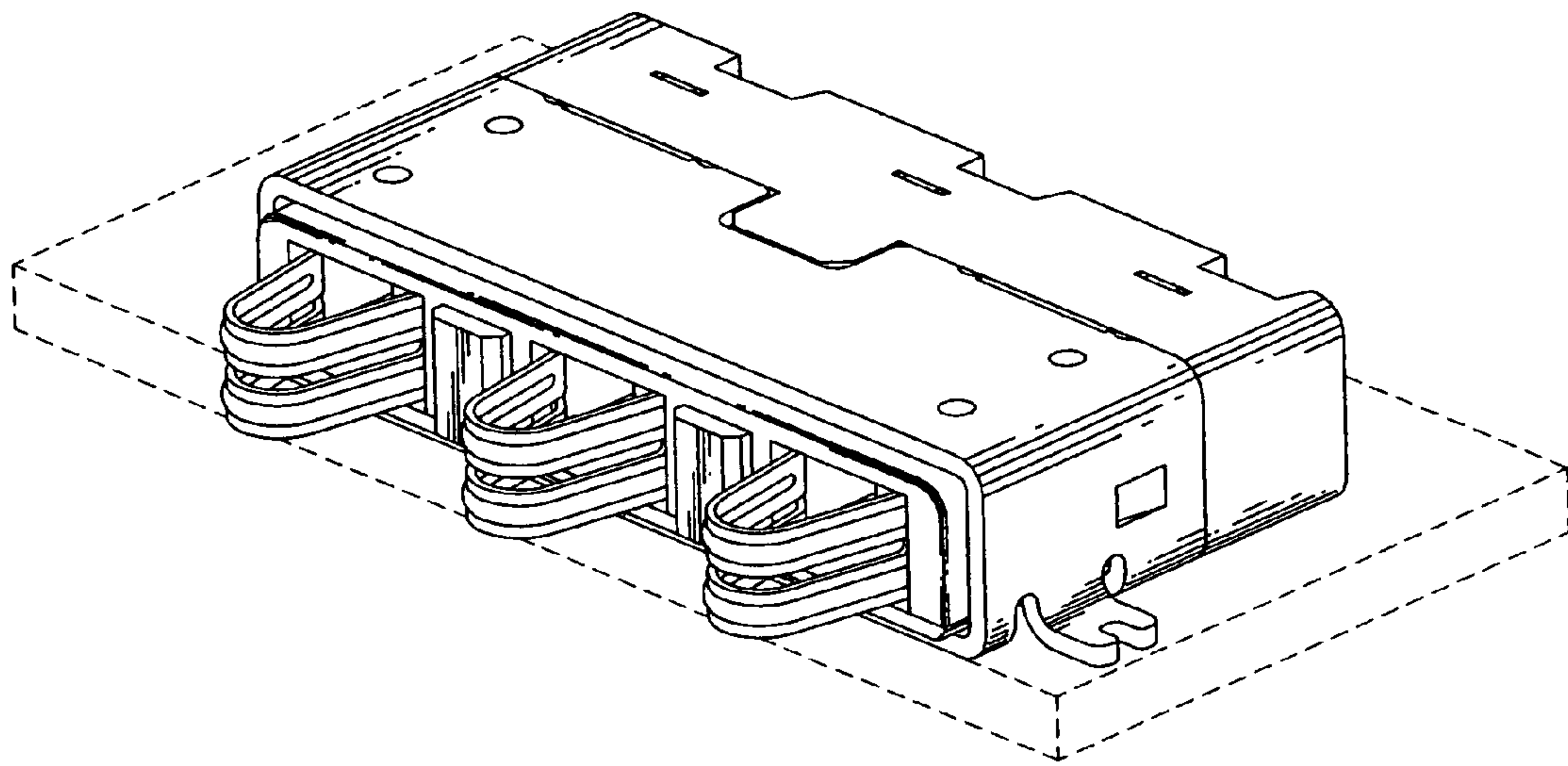


FIG. 9