



US00D605590S

(12) **United States Design Patent**
Chen et al.

(10) **Patent No.:** **US D605,590 S**
(45) **Date of Patent:** **** Dec. 8, 2009**

(54) **BLADE ASSEMBLY FOR POWER GENERATOR**

4,629,007 A * 12/1986 Pegoraro 172/548
D340,462 S * 10/1993 Cowart D15/17
D437,894 S * 2/2001 Johann D21/458
D508,893 S * 8/2005 Kato et al. D13/115

(75) Inventors: **En-Feng Chen**, Taichung (TW);
Tzu-Yao Huang, Taichung (TW)

* cited by examiner

(73) Assignee: **Hiwin Mikrosystem Corp.**, Nantun District, Taichung (TW)

Primary Examiner—Stella M Reid
Assistant Examiner—Derrick Holland

(**) Term: **14 Years**

(74) *Attorney, Agent, or Firm*—Charles E. Baxley

(21) Appl. No.: **29/314,748**

(57) **CLAIM**

(22) Filed: **Apr. 24, 2009**

The ornamental design for a blade assembly for power generator, as shown and described.

(51) **LOC (9) Cl.** **13-01**

DESCRIPTION

(52) **U.S. Cl.** **D13/115; D13/122**

(58) **Field of Classification Search** D13/115, D13/118, 122, 199; D15/17, 28, 29; D21/458; D23/411, 413; 172/548, 549, 556; 239/681, 239/682; 416/24, 31, 37, 38, 132 B, 141, 416/176, 177, 183, 185, 196 A, 236 A, 243
See application file for complete search history.

FIG. 1 is a perspective view of a blade assembly for power generator showing our new design thereof;
FIG. 2 is a front elevational view thereof;
FIG. 3 is a rear elevational view thereof;
FIG. 4 is a left side elevational view thereof;
FIG. 5 is a right side elevational view thereof;
FIG. 6 is a top plan view thereof; and,
FIG. 7 is a bottom plan view thereof.

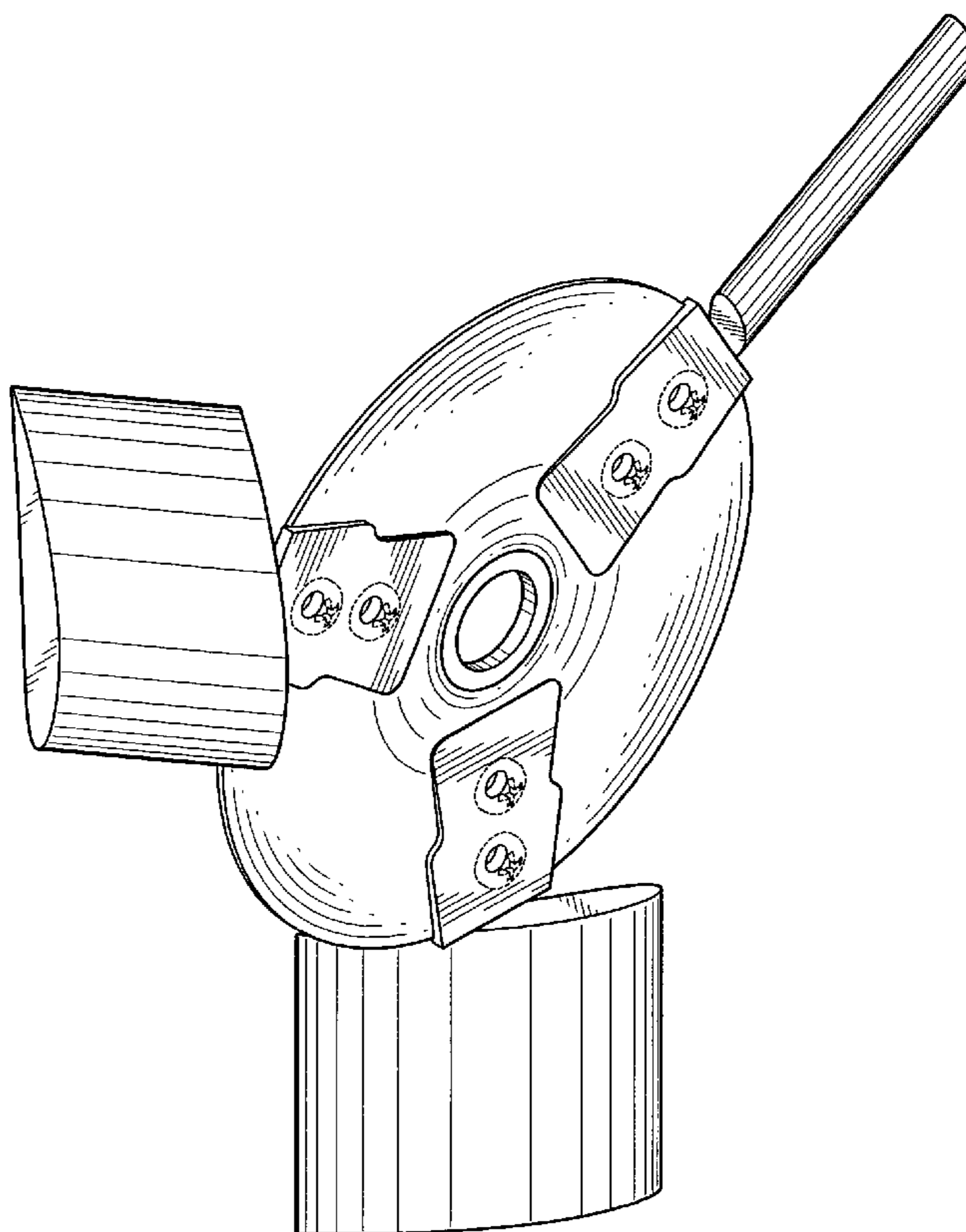
(56) **References Cited**

U.S. PATENT DOCUMENTS

2,031,466 A * 2/1936 Criqui 416/243
2,957,621 A * 10/1960 Haims 416/223 R
D190,495 S * 6/1961 Alldritt D23/413
D191,401 S * 9/1961 Gesmar D23/413
D195,232 S * 5/1963 Brannan D23/413

The broken lines shown represent unclaimed subject matter and form no part of the claimed design.

1 Claim, 5 Drawing Sheets



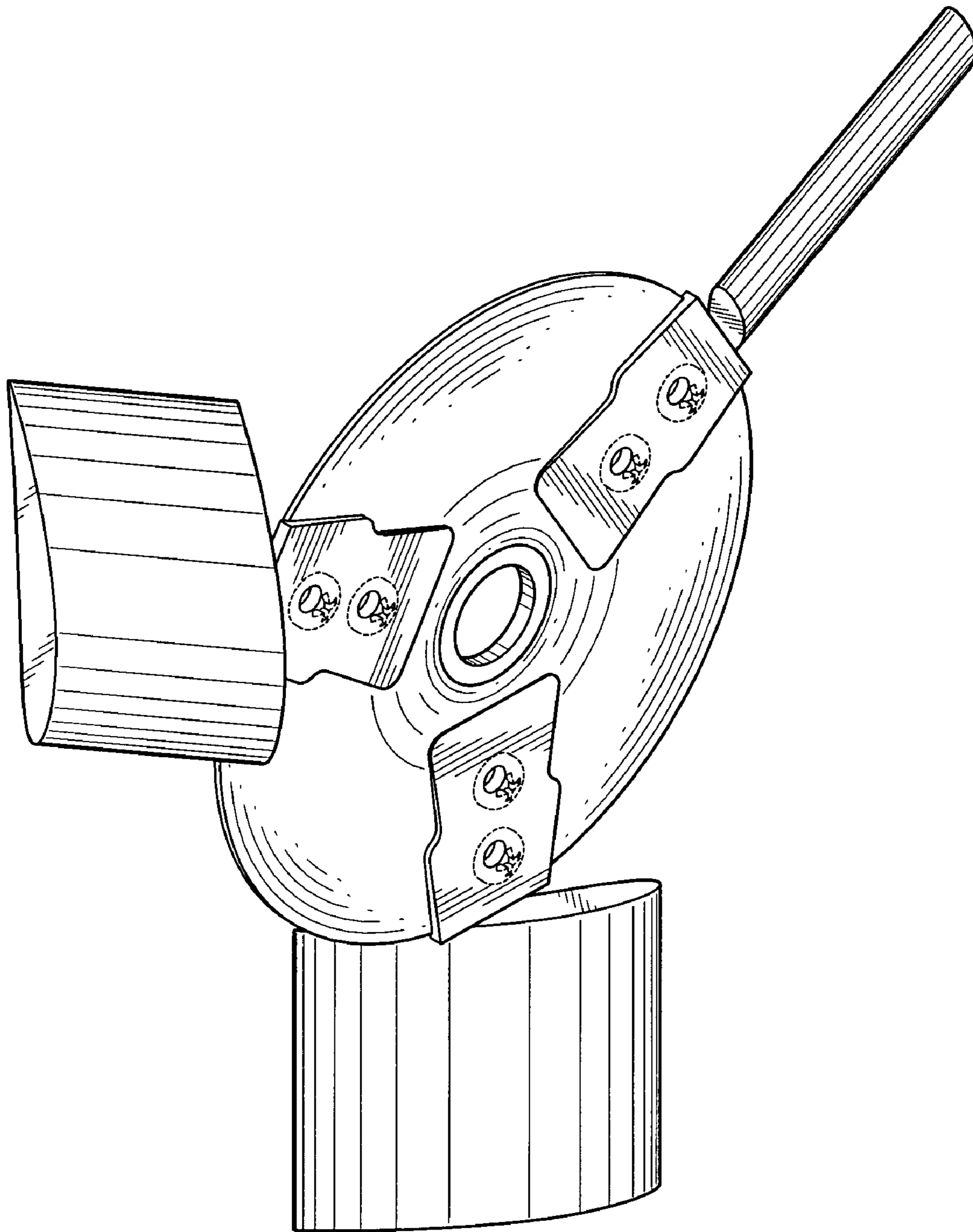


FIG. 1

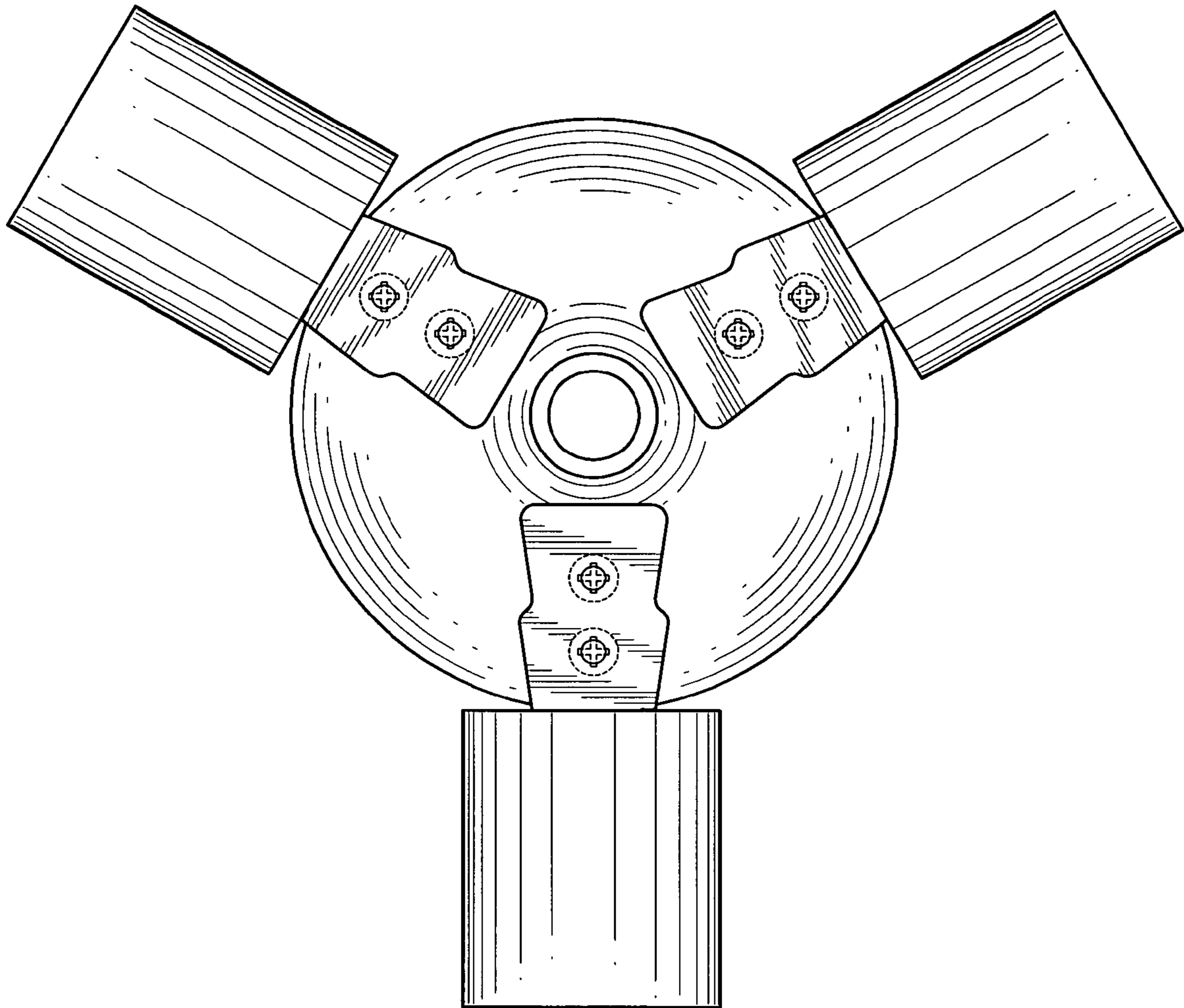


FIG. 2

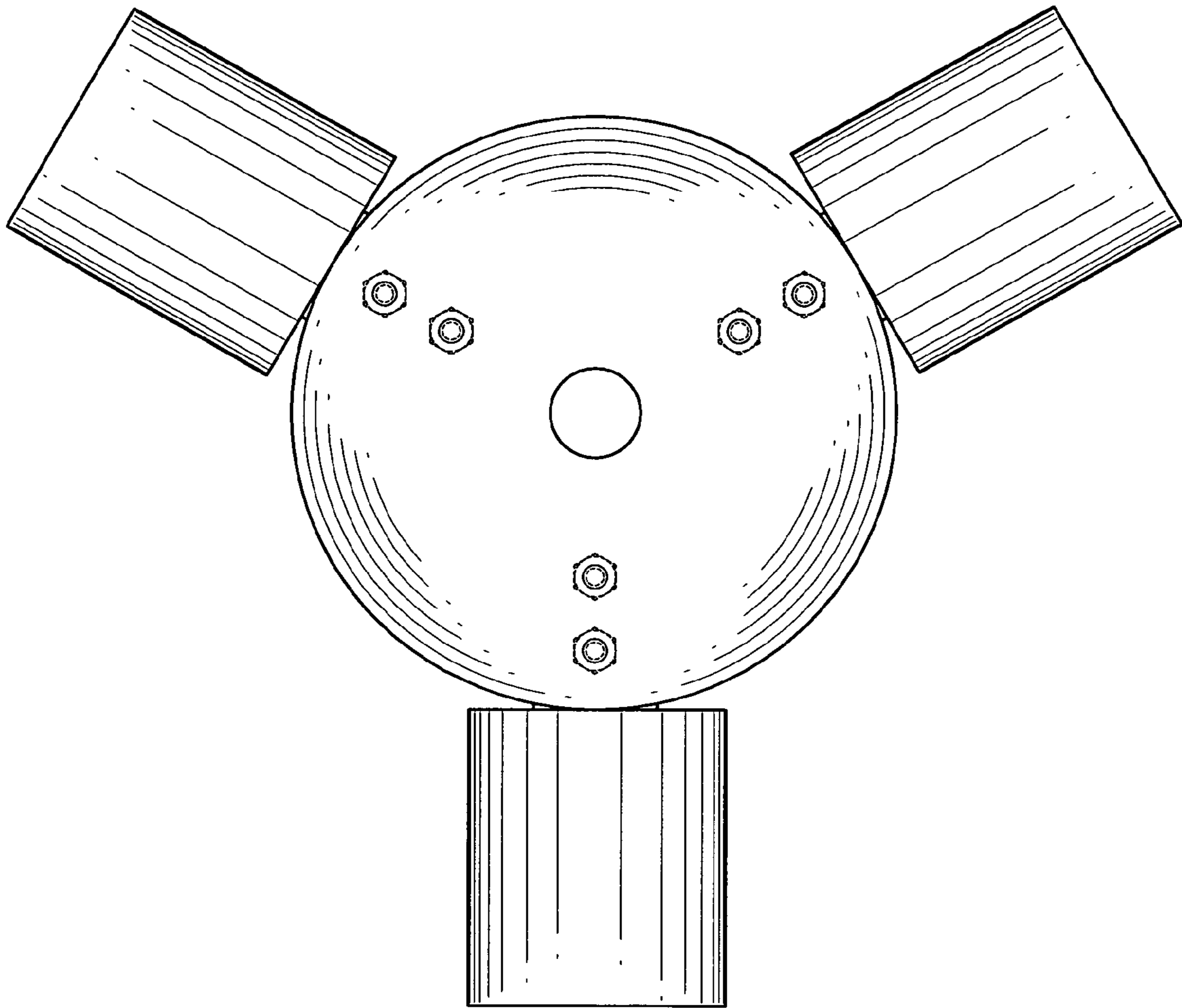


FIG. 3

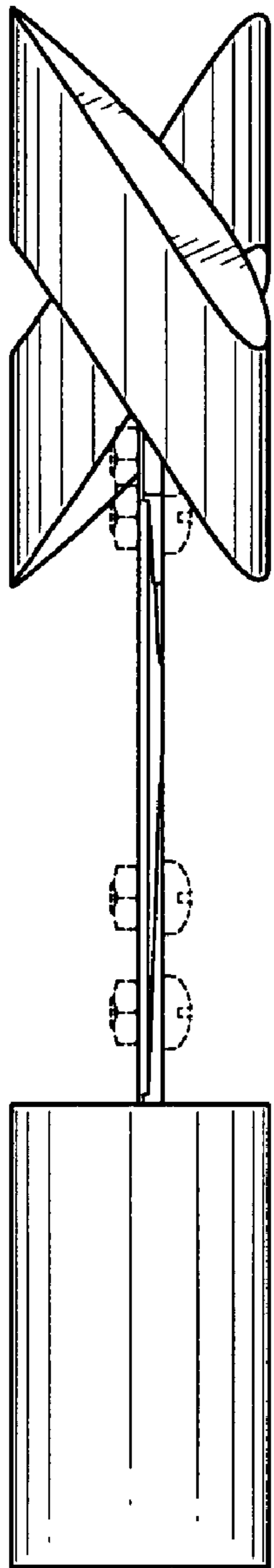


FIG. 4

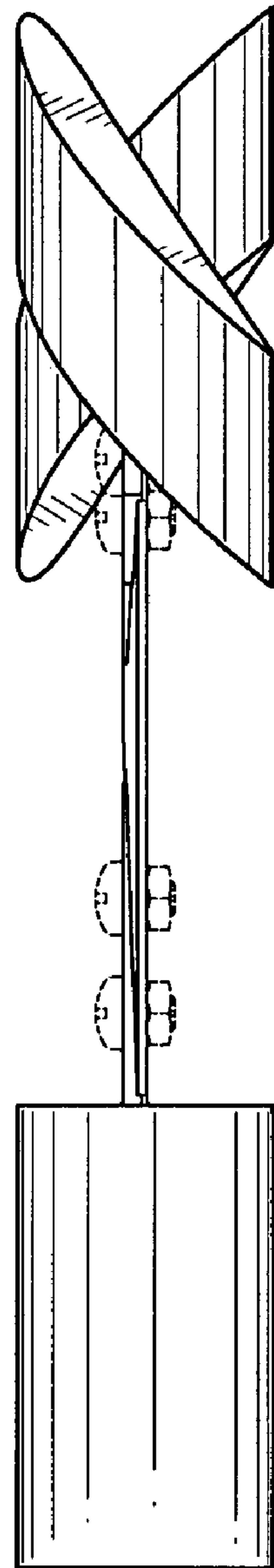


FIG. 5

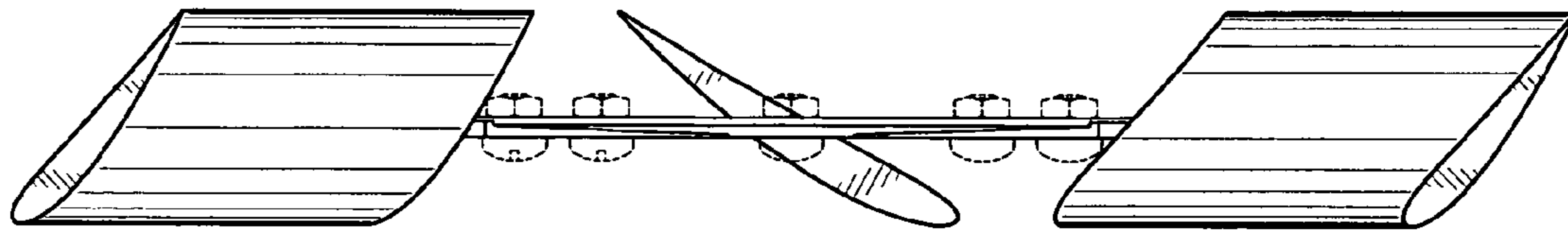


FIG. 6

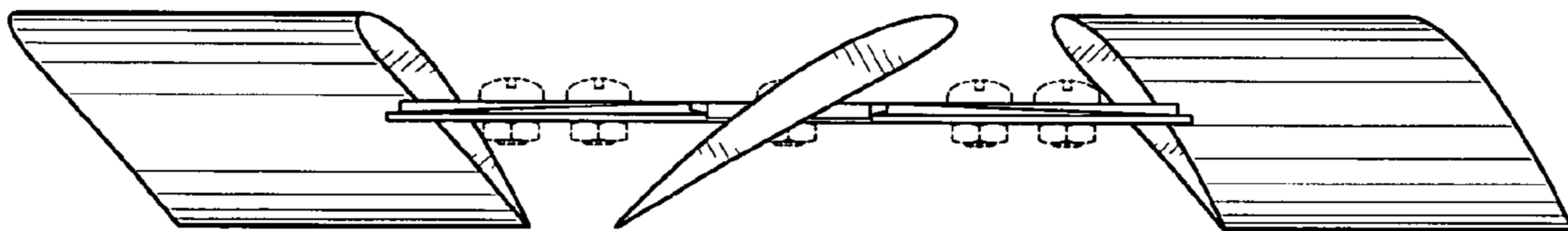


FIG. 7