



US00D605588S

(12) **United States Design Patent**
Nomi et al.

(10) **Patent No.:** **US D605,588 S**

(45) **Date of Patent:** **** Dec. 8, 2009**

(54) **BATTERY CHARGER FOR A CONTROLLER**

D551,618 S * 9/2007 Aglassinger D13/108
D568,809 S * 5/2008 Izumo et al. D13/108

(75) Inventors: **Takuo Nomi**, Osaka (JP); **Shinji Oda**,
Osaka (JP)

* cited by examiner

(73) Assignee: **Sanyo Electric Co., Ltd.**, Osaka (JP)

Primary Examiner—Rosemary K Tarcza
(74) *Attorney, Agent, or Firm*—Rabin & Berdo, PC

(**) Term: **14 Years**

(21) Appl. No.: **29/309,713**

(57) **CLAIM**

(22) Filed: **Sep. 29, 2008**

The ornamental design for a battery charger for a controller,
as shown and described.

(30) **Foreign Application Priority Data**

DESCRIPTION

Jun. 12, 2008 (JP) 2008-014946
Jun. 12, 2008 (JP) 2008-014947
Jun. 12, 2008 (JP) 2008-014948

FIG. 1 is a perspective view of a first embodiment of a battery
charger for a controller showing our new design;

(51) **LOC (9) Cl.** **13-02**

FIG. 2 is a front elevation view of the first embodiment;

(52) **U.S. Cl.** **D13/108**

FIG. 3 is a rear elevation view of the first embodiment;

(58) **Field of Classification Search** D13/107–110,
D13/118–119, 184; D14/251, 253, 432,
D14/434; 320/107–115

FIG. 4 is a left side view of the first embodiment;

See application file for complete search history.

FIG. 5 is a right side view of the first embodiment;

(56) **References Cited**

U.S. PATENT DOCUMENTS

D275,482 S * 9/1984 Coons et al. D14/253
D322,061 S * 12/1991 Watanabe D13/108
D357,990 S * 5/1995 Cheng et al. D26/38
D366,237 S * 1/1996 Yang D13/108
D399,244 S * 10/1998 Coveley D18/12
D431,021 S * 9/2000 Collins D13/108
D455,397 S * 4/2002 Weiner et al. D13/108
D514,576 S * 2/2006 Sung et al. D14/434
D516,023 S * 2/2006 Quinn D13/108
D532,744 S * 11/2006 Aglassinger D13/108
D533,499 S * 12/2006 Suzuki D13/108

FIG. 6 is a top plan view of the first embodiment;

FIG. 7 is a bottom plan view of the first embodiment;

FIG. 8 is a referential perspective view of the first embodi-
ment for showing a used state, the rested controller is shown
in broken lines forming no part of the claimed design; and,

FIG. 9 is another referential perspective view of the first
embodiment for showing a state when two battery chargers
are connected, one of battery chargers connected is shown in
broken lines forming no part of the claimed design.

The broken lines showing portions of the battery charger for
a controller in the drawings are included for the purpose of
illustrating environmental structure and form no part of the
claimed design.

1 Claim, 9 Drawing Sheets

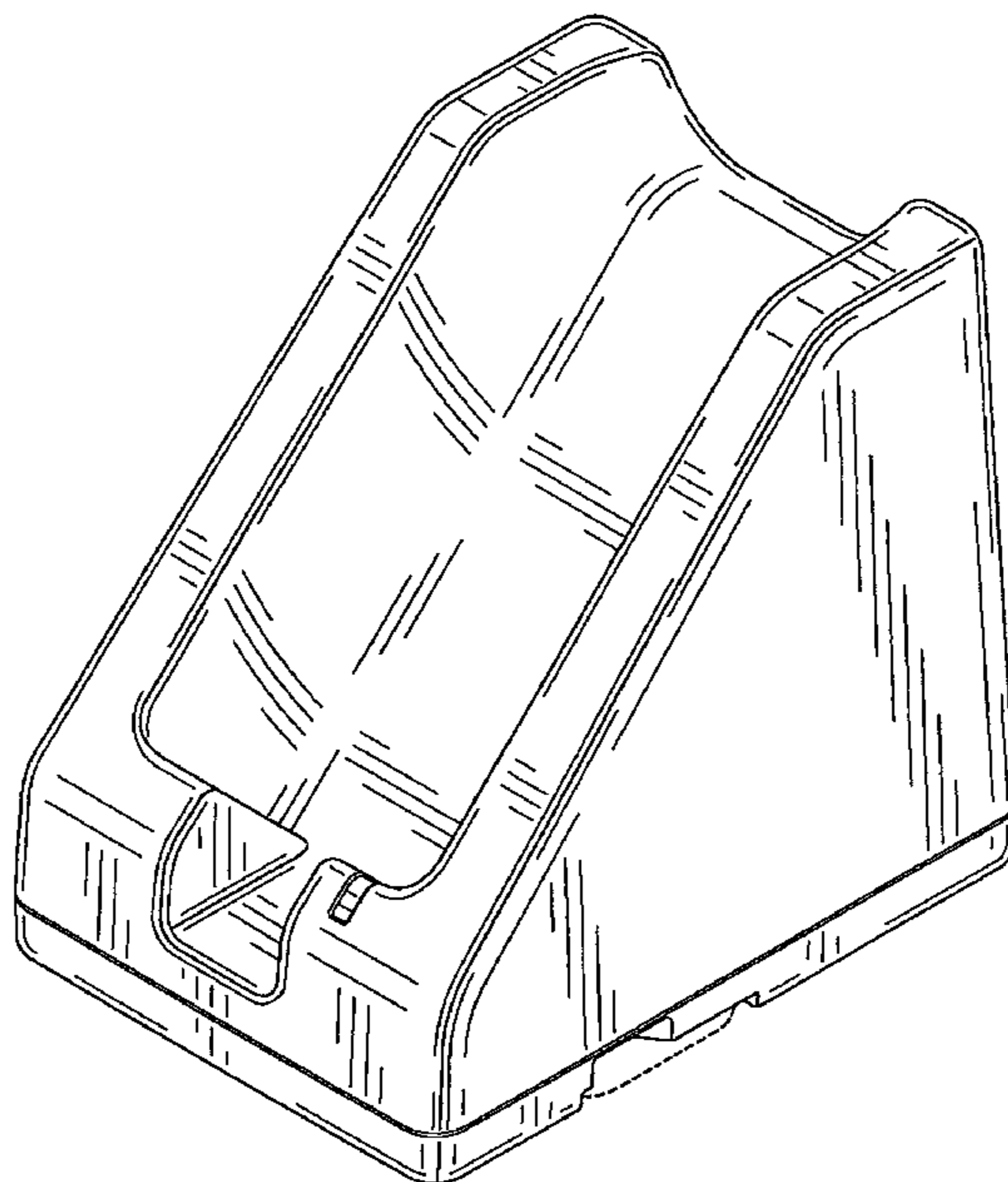


FIG. 1

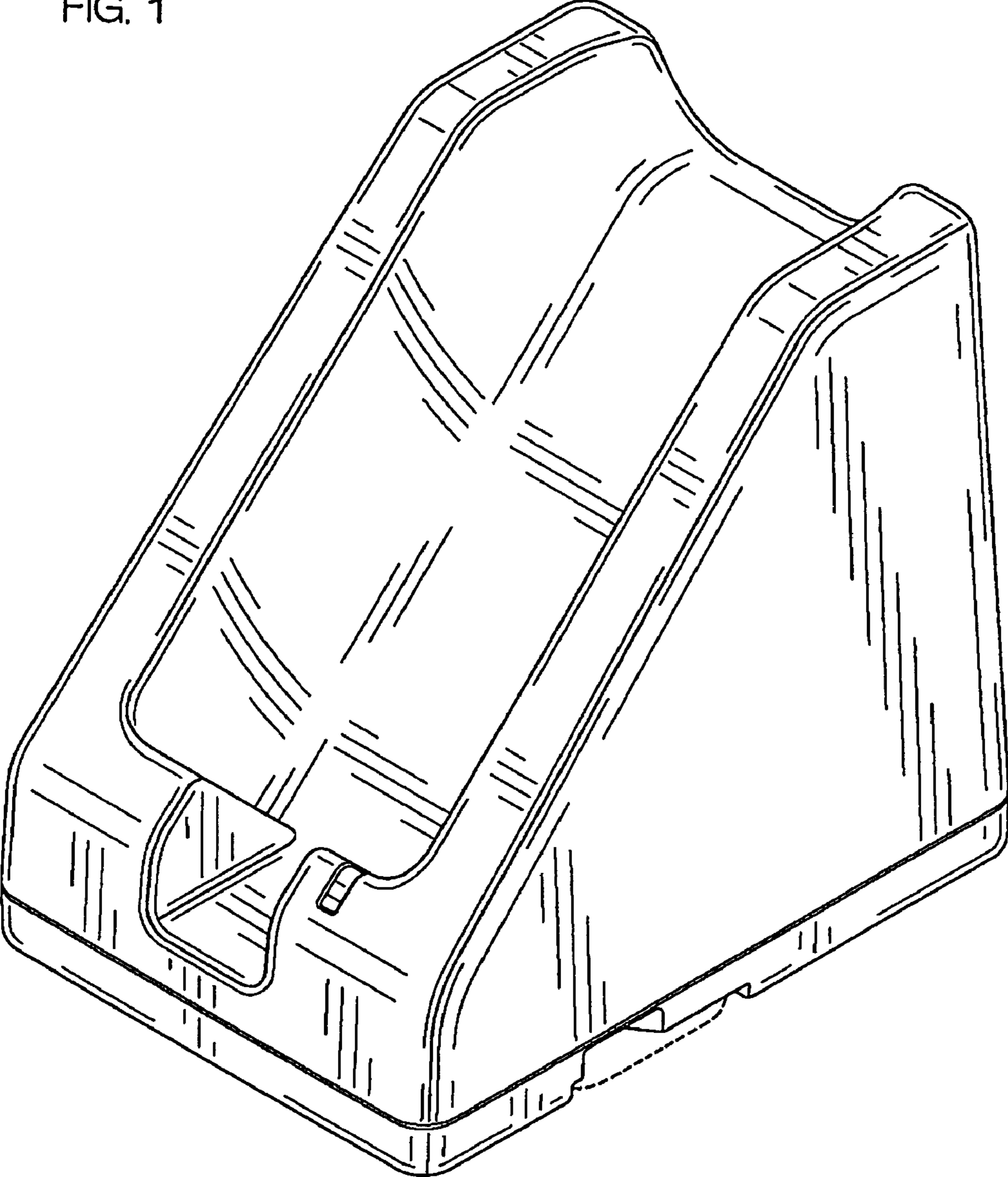


FIG. 2

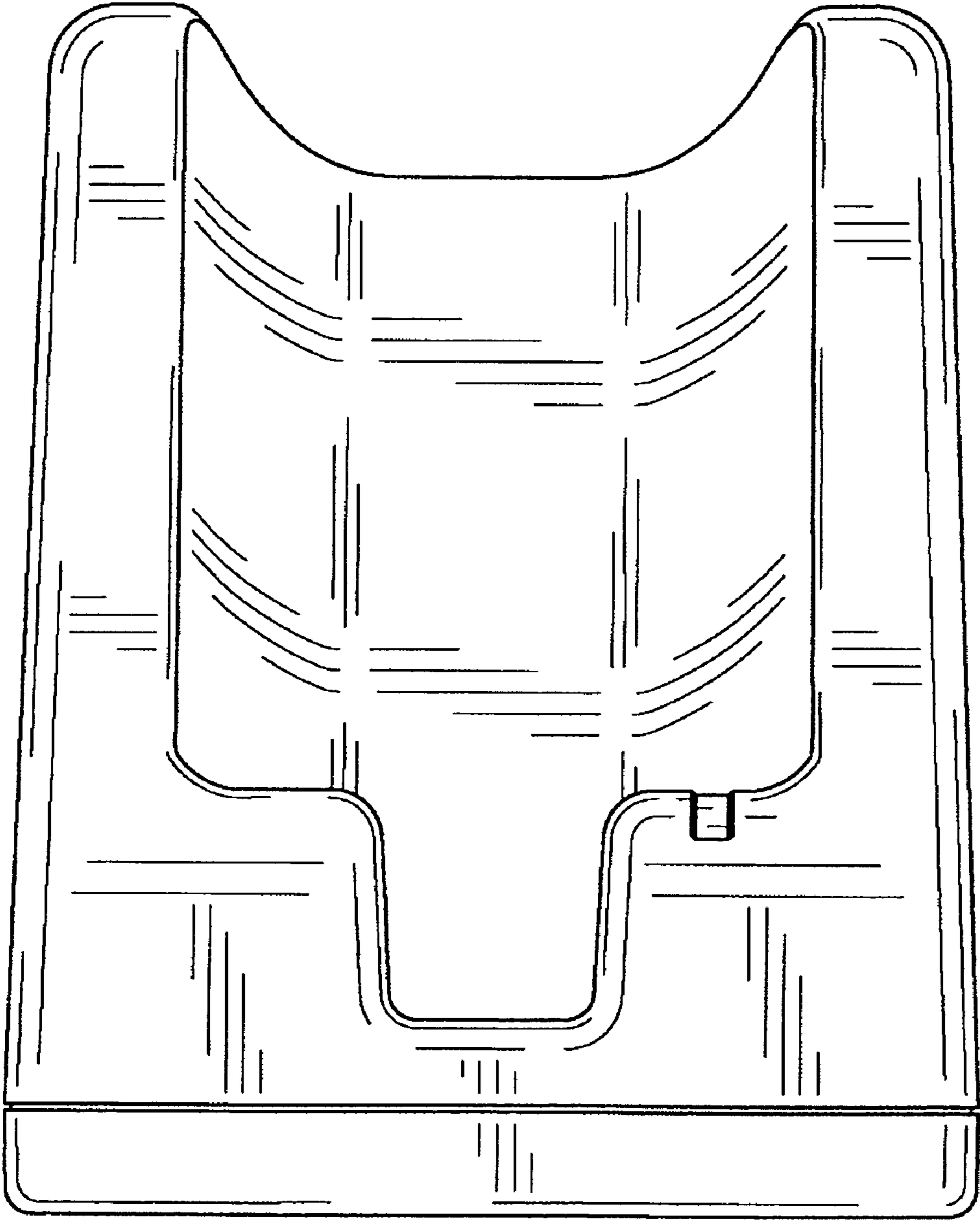


FIG. 3

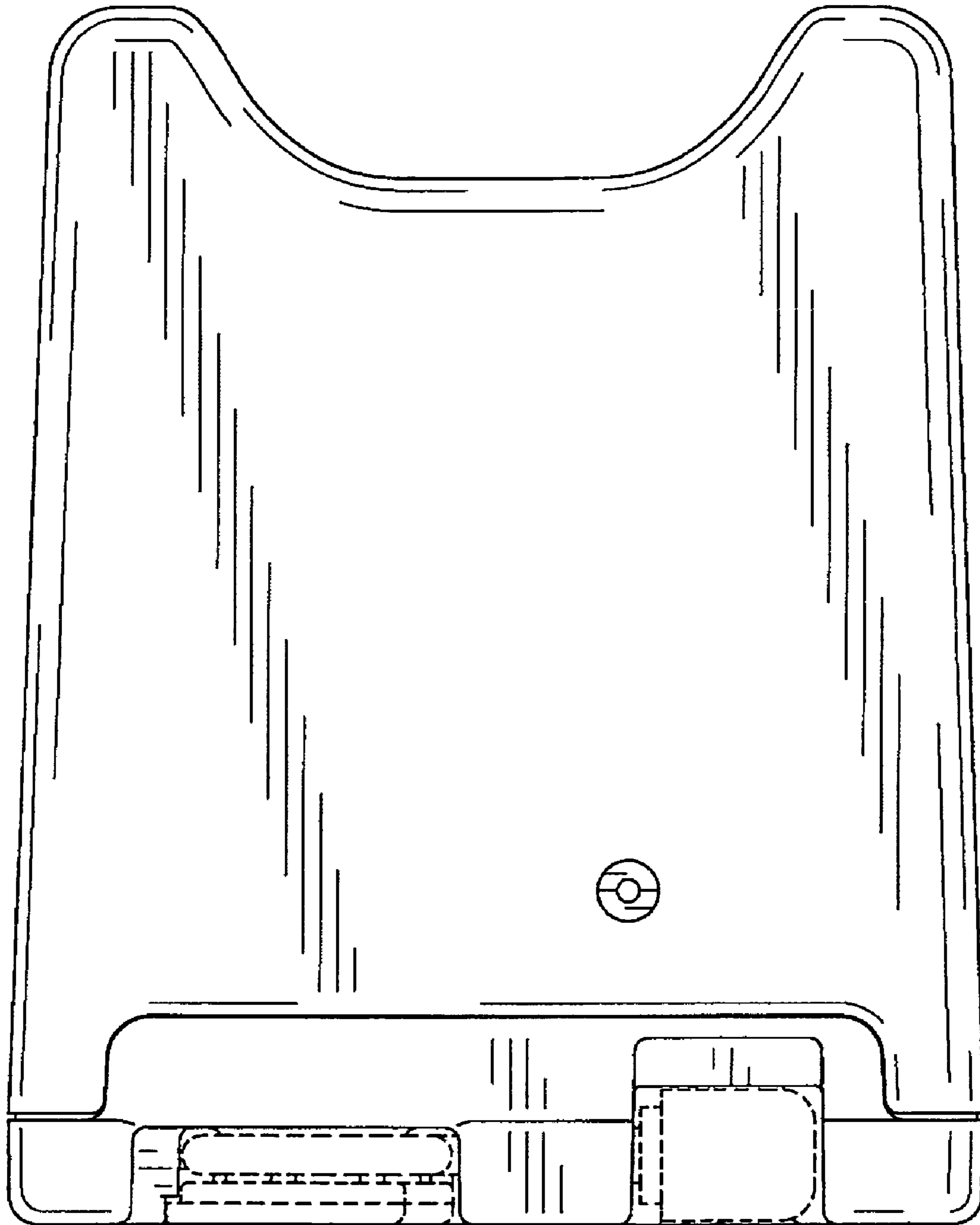


FIG. 4

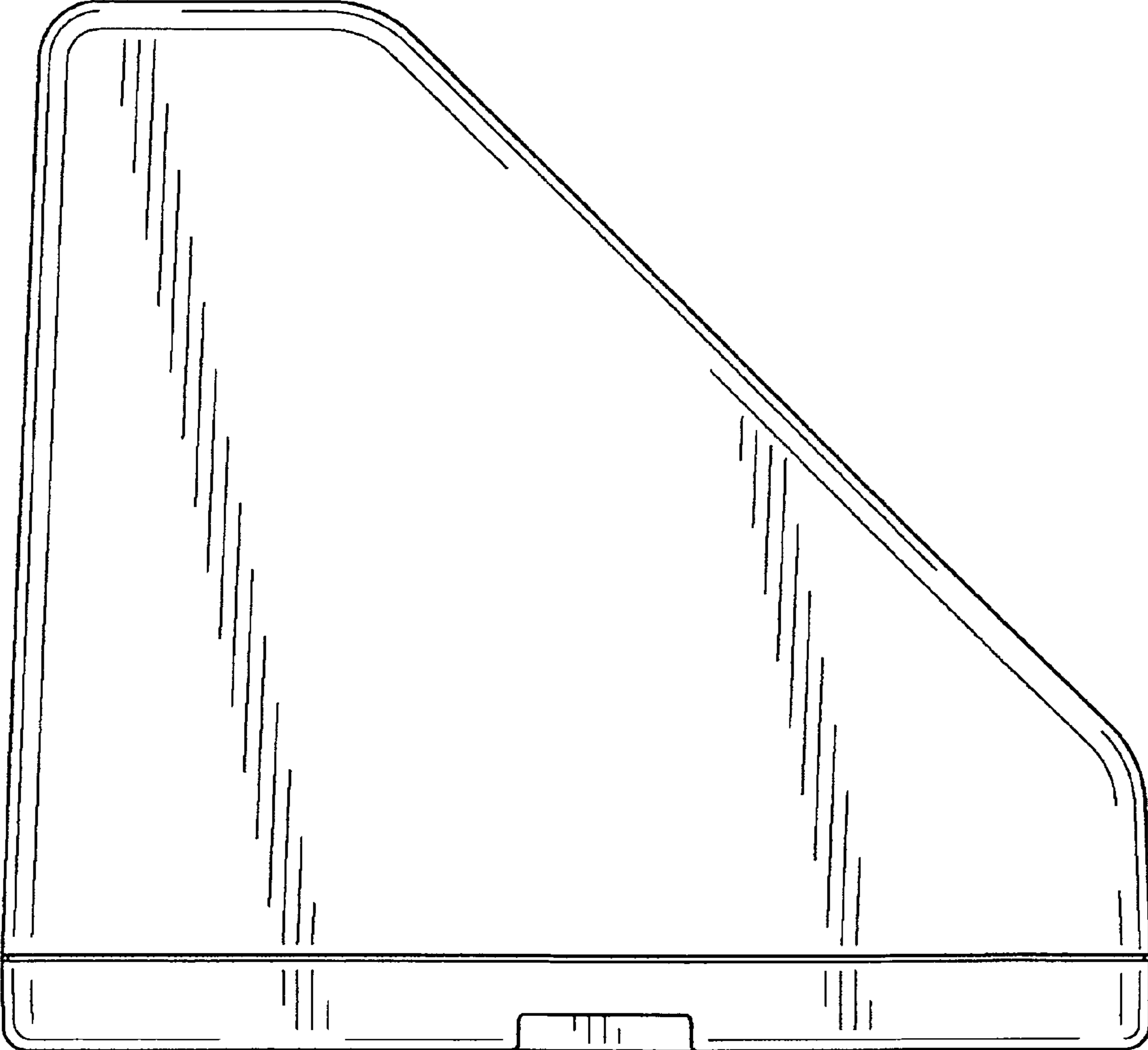


FIG. 5

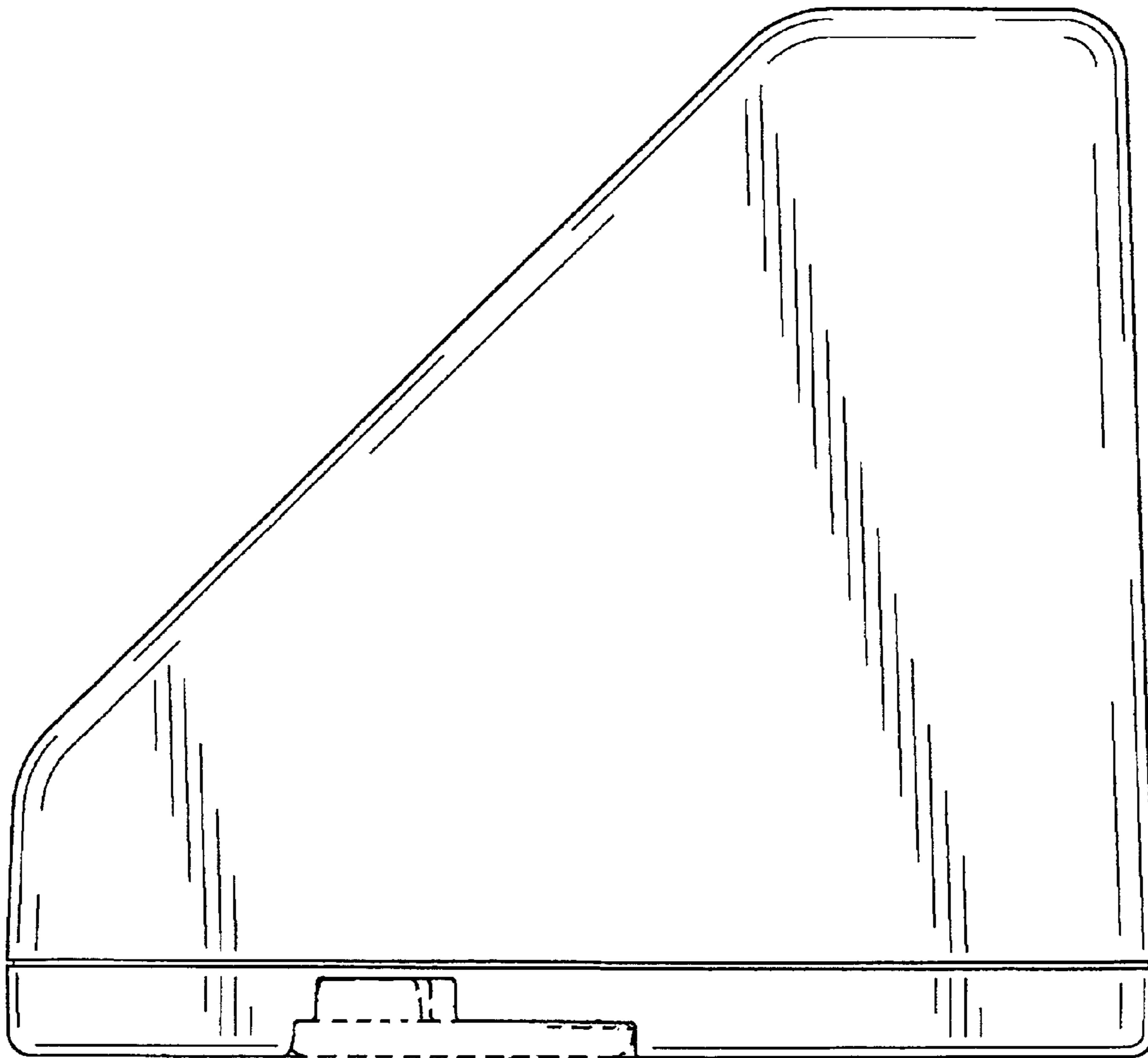


FIG. 6

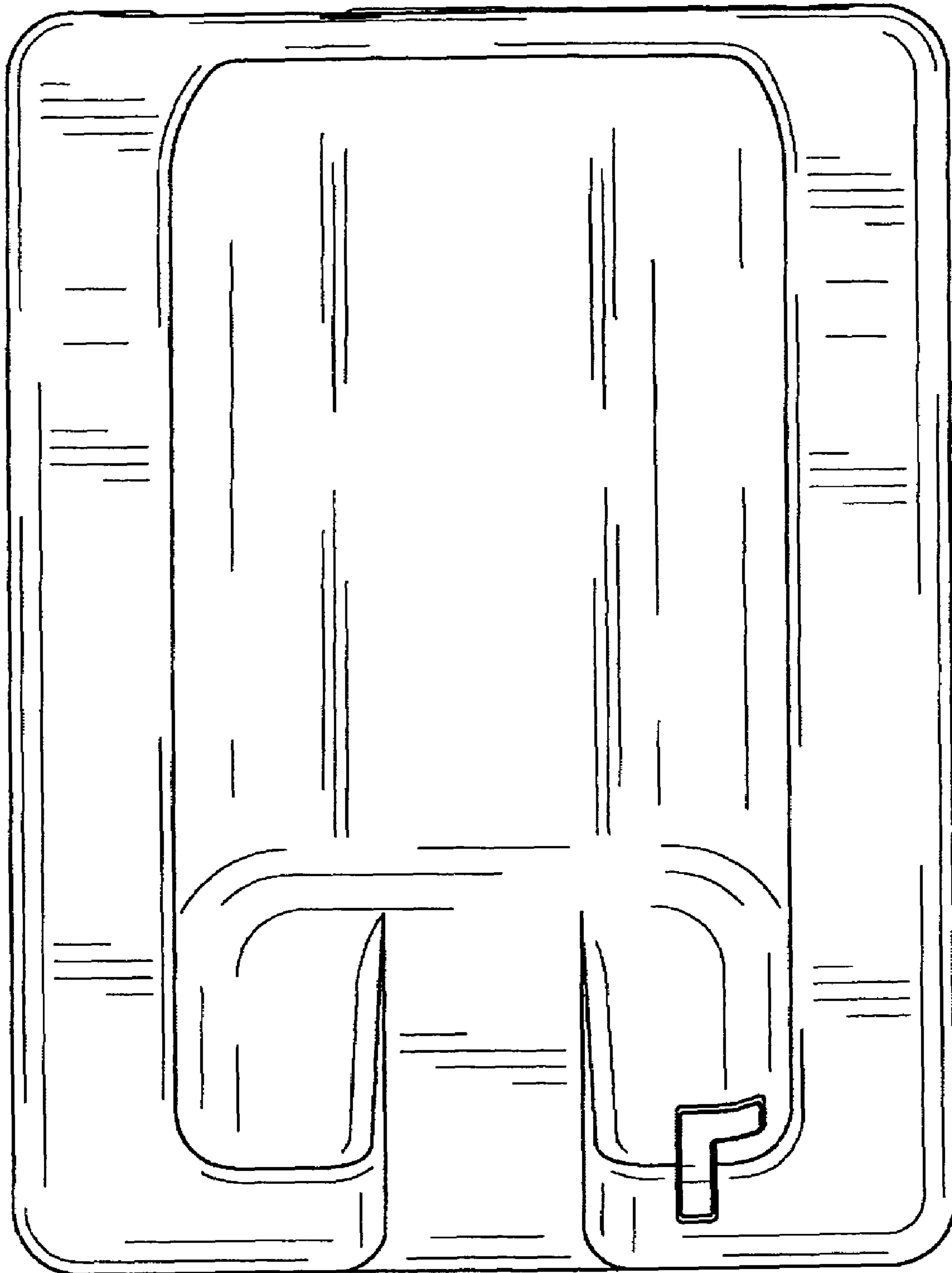


FIG. 7

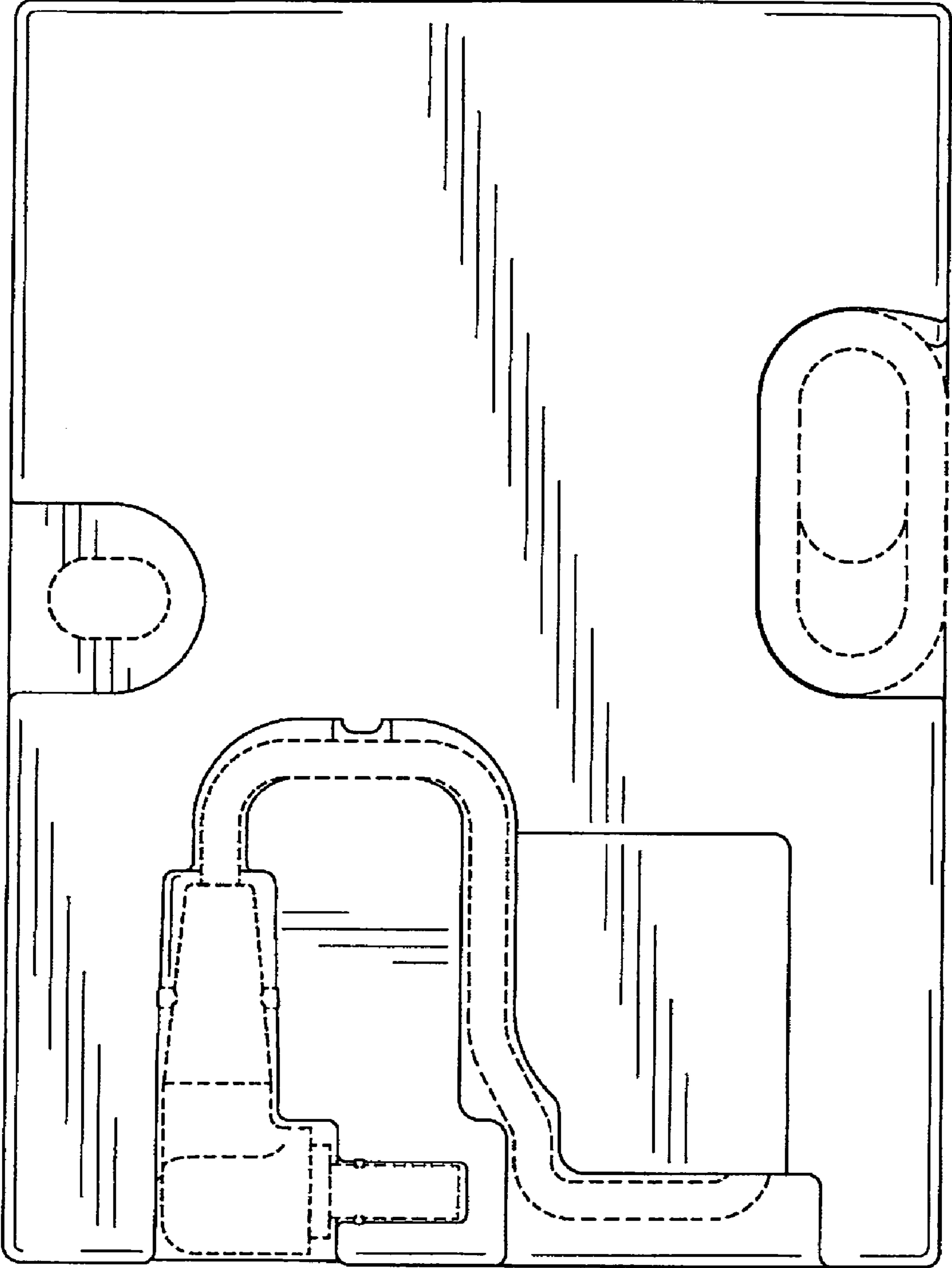


FIG. 8

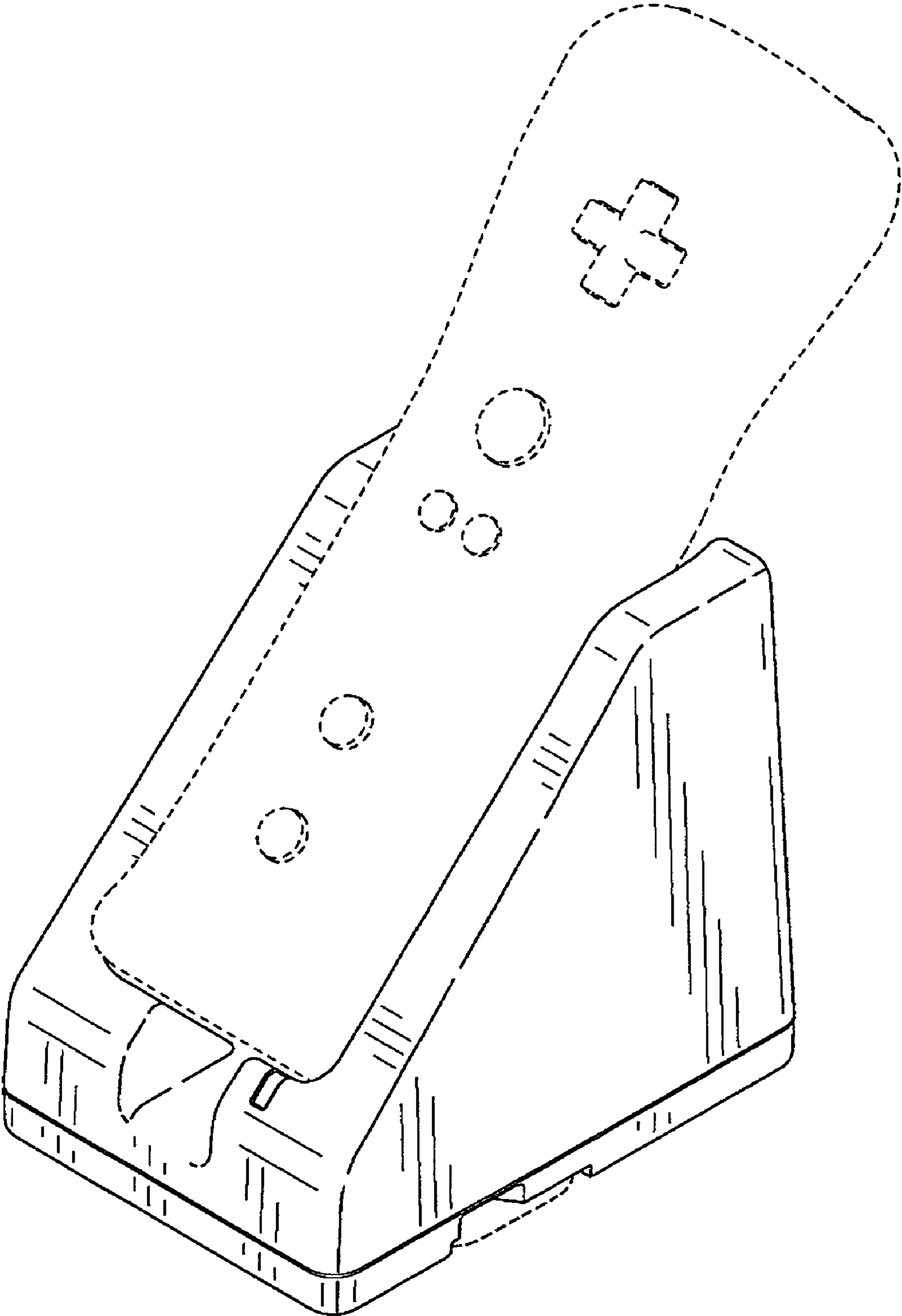


FIG. 9

