



US00D605587S

(12) **United States Design Patent**  
**Nomi et al.**

(10) **Patent No.:** **US D605,587 S**

(45) **Date of Patent:** **\*\* Dec. 8, 2009**

(54) **BATTERY CHARGER**

(75) Inventors: **Takuo Nomi**, Osaka (JP); **Shinji Oda**, Osaka (JP)

(73) Assignee: **Sanyo Electric Co., Ltd.**, Osaka (JP)

(\*\*) Term: **14 Years**

(21) Appl. No.: **29/309,936**

(22) Filed: **Nov. 14, 2008**

(30) **Foreign Application Priority Data**

Jun. 16, 2008 (JP) ..... 2008-015261

(51) **LOC (9) Cl.** ..... **13-02**

(52) **U.S. Cl.** ..... **D13/107**

(58) **Field of Classification Search** ..... D13/107-110,  
D13/118-119, 184; D14/251, 253, 432,  
D14/434; 320/107-115

See application file for complete search history.

(56) **References Cited**

U.S. PATENT DOCUMENTS

D278,703 S *	5/1985	Chiodo et al. ....	D13/107
D375,934 S *	11/1996	Rosen et al. ....	D13/107
D380,611 S *	7/1997	Mancusi ....	D3/284
D454,837 S *	3/2002	Ibuki et al. ....	D13/107
D478,557 S *	8/2003	Pfeiffer ....	D13/107
D489,680 S *	5/2004	Stobart ....	D13/107
D490,375 S *	5/2004	Pomerance ....	D13/119
D544,437 S *	6/2007	Hussaini et al. ....	D13/107
D564,960 S *	3/2008	Sacco et al. ....	D13/107

\* cited by examiner

*Primary Examiner*—Rosemary K Tarcza

(74) *Attorney, Agent, or Firm*—Rabin & Berdo, PC

(57) **CLAIM**

The ornamental design for a battery charger, as shown and described.

**DESCRIPTION**

FIG. 1 is a perspective view of a battery charger showing our new design;

FIG. 2 is a front elevation view thereof;

FIG. 3 is a rear elevation view thereof;

FIG. 4 is a right side view thereof;

FIG. 5 is a left side view thereof;

FIG. 6 is a top plan view thereof;

FIG. 7 is a bottom plan view thereof;

FIG. 8 is a perspective view thereof with the top cover open;

FIG. 9 is a front elevation view thereof with the top cover open;

FIG. 10 is a rear elevation view thereof with the top cover open;

FIG. 11 is a right side view thereof with the top cover open;

FIG. 12 is a left side view thereof with the top cover open;

FIG. 13 is a top plan view thereof with the top cover open;

FIG. 14 is a bottom plan view thereof with the top cover open;

FIG. 15 is a sectional view thereof taken on line 15—15 of FIG. 9 showing no illustration of inside mechanism;

FIG. 16 is a perspective view with the top cover open showing the plate-like members uprising; and,

FIG. 17 is a referential perspective view with the top cover open showing a state where batteries placed therein are shown in broken lines and form no part of the claimed design.

**1 Claim, 13 Drawing Sheets**

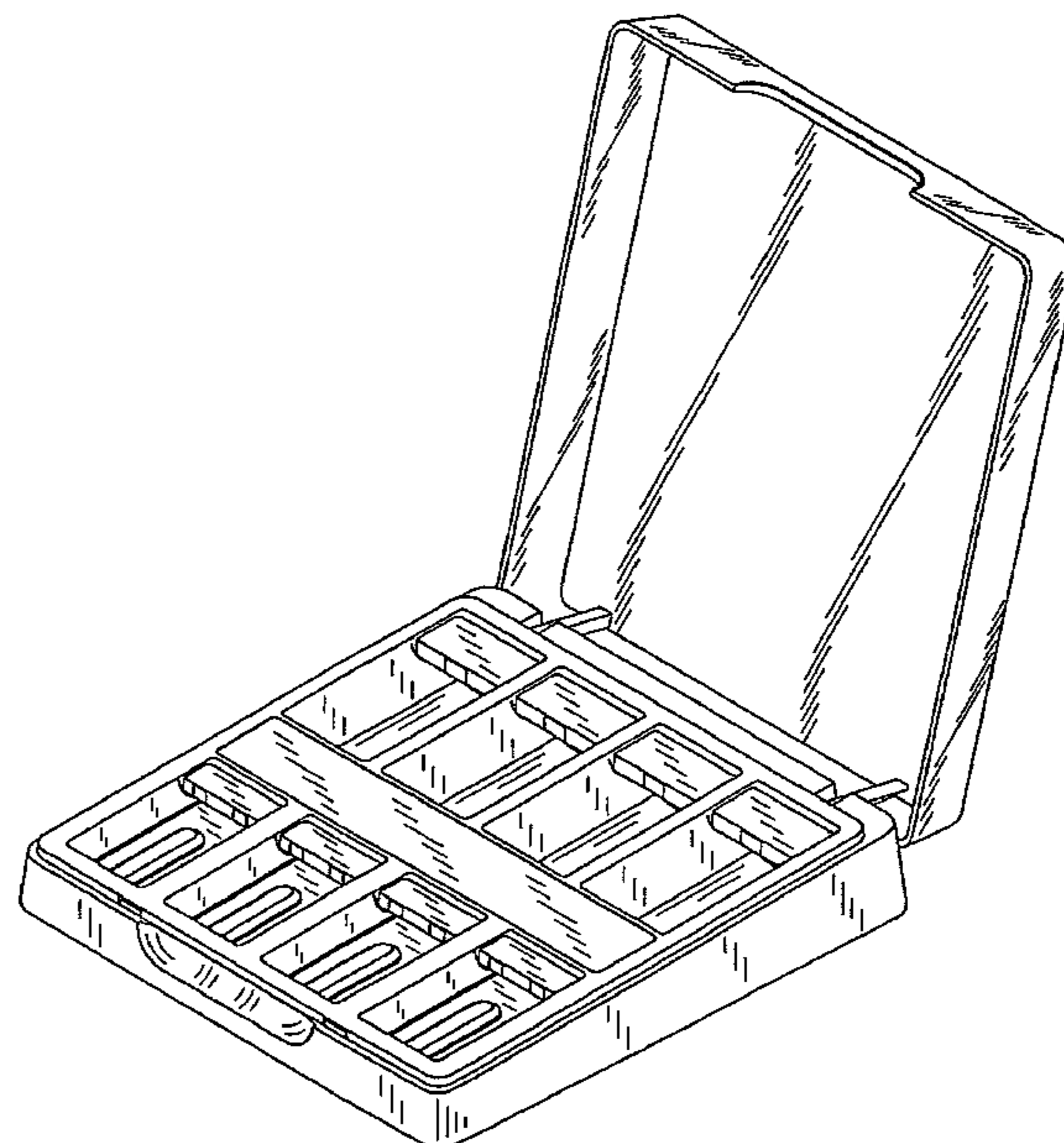
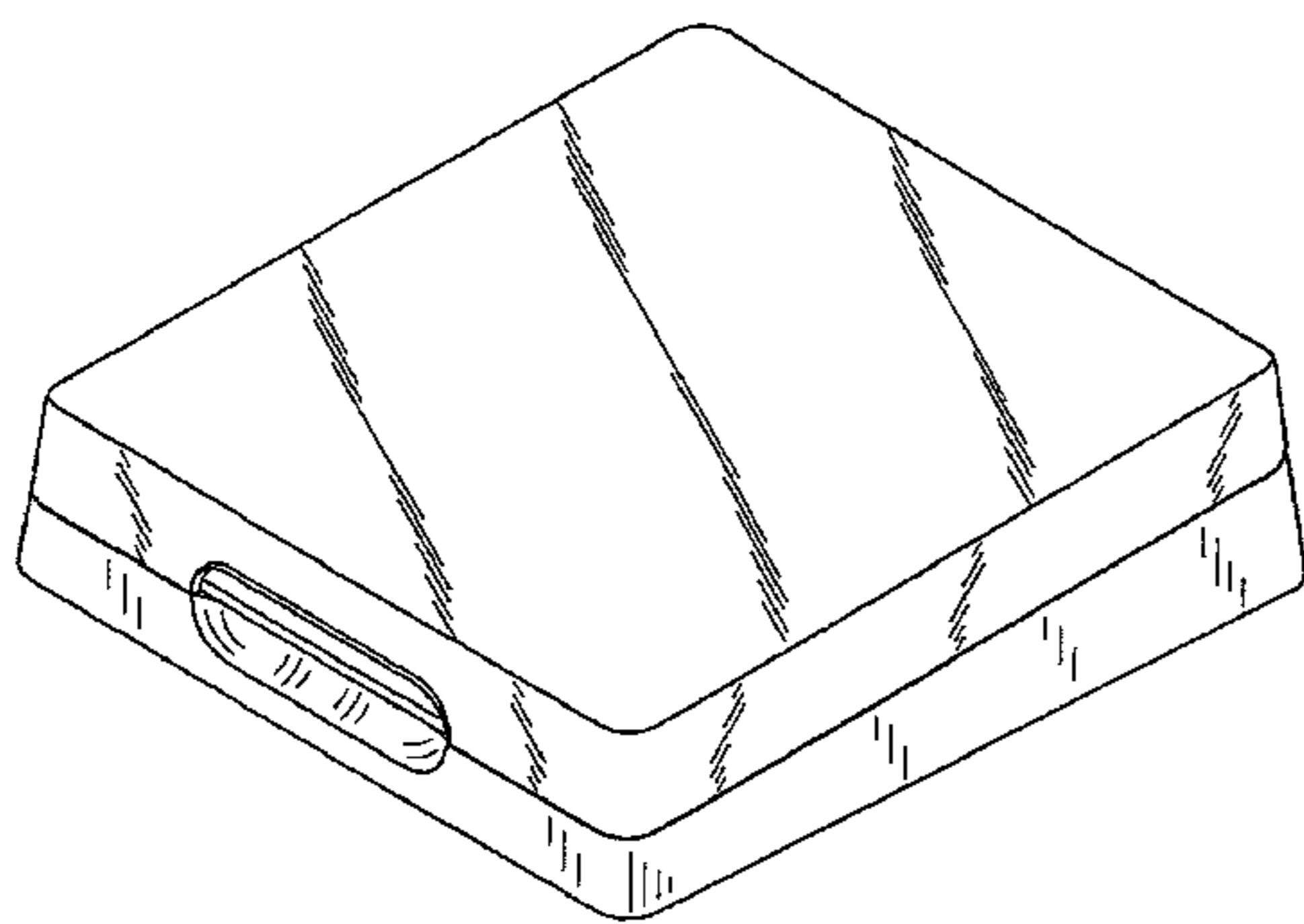


FIG. 1

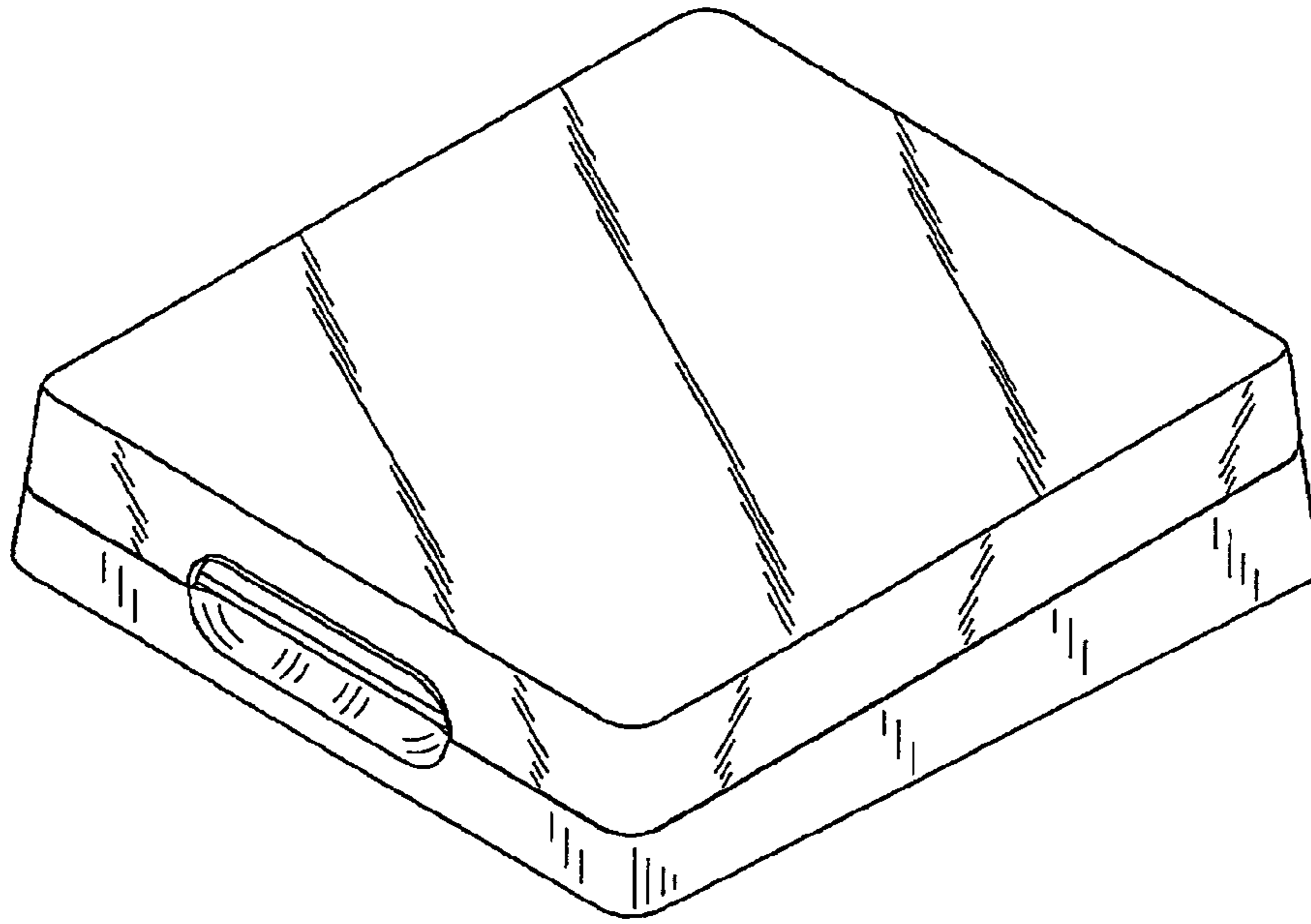


FIG. 2

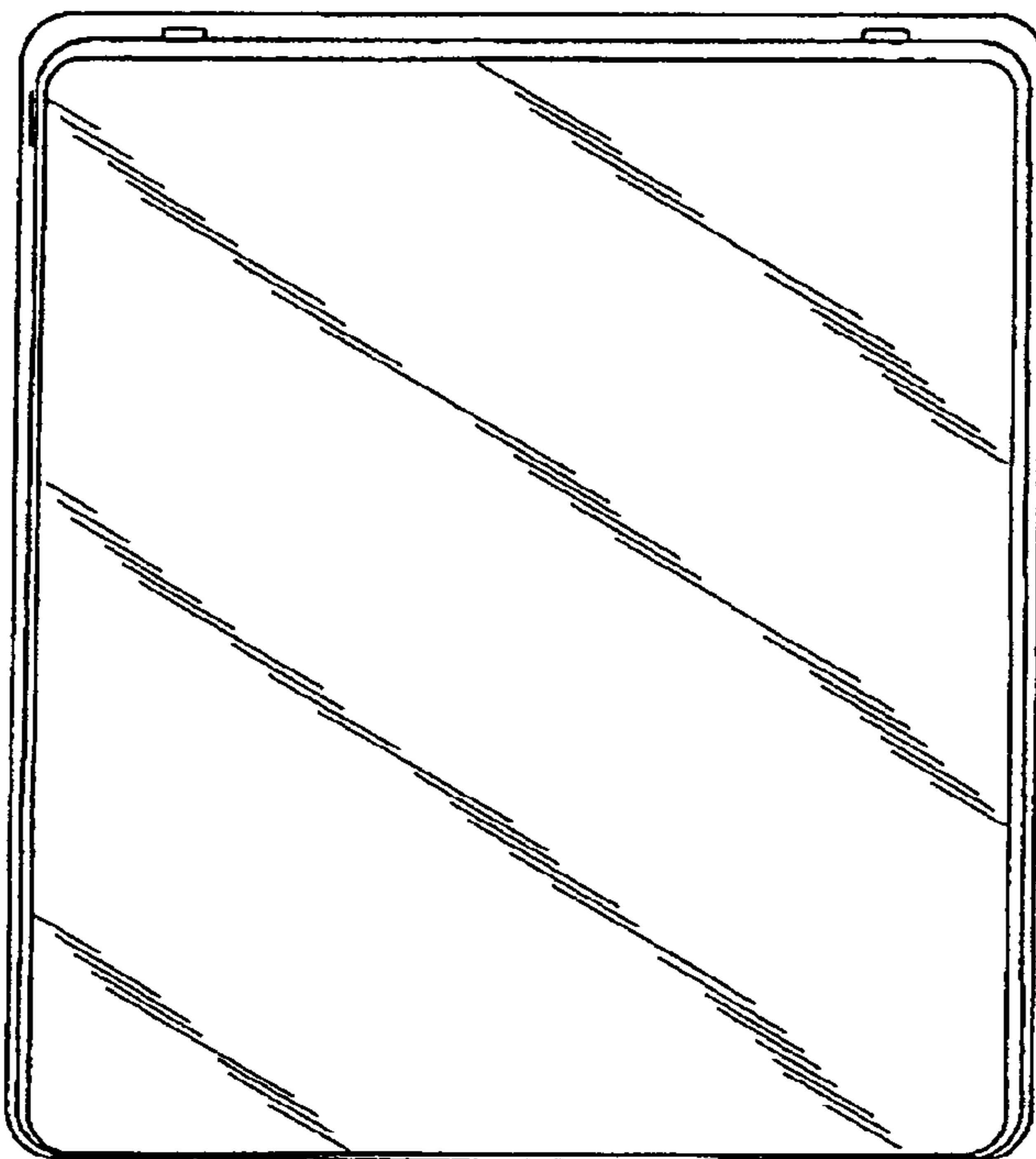


FIG. 3

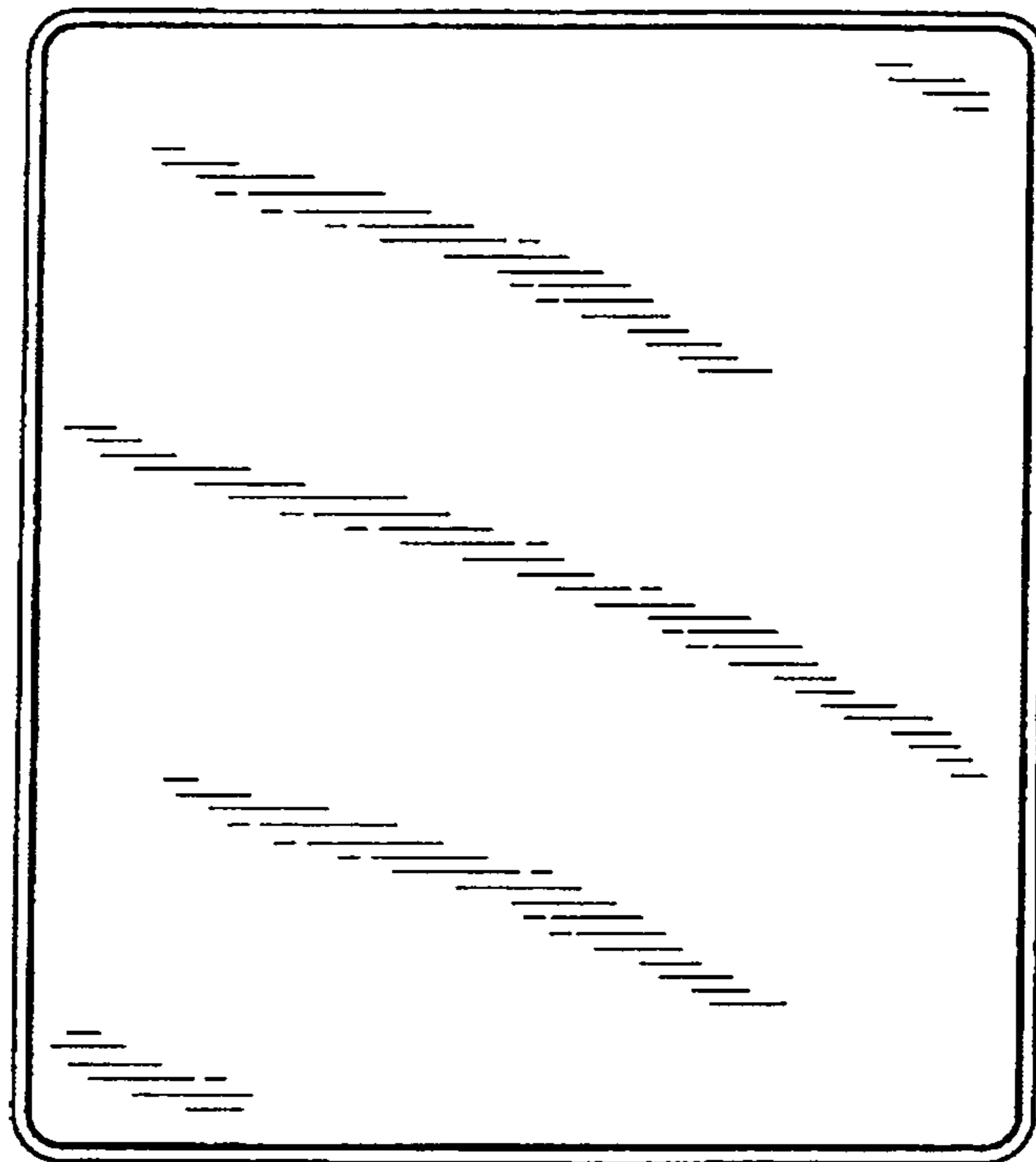


FIG. 4



FIG. 5

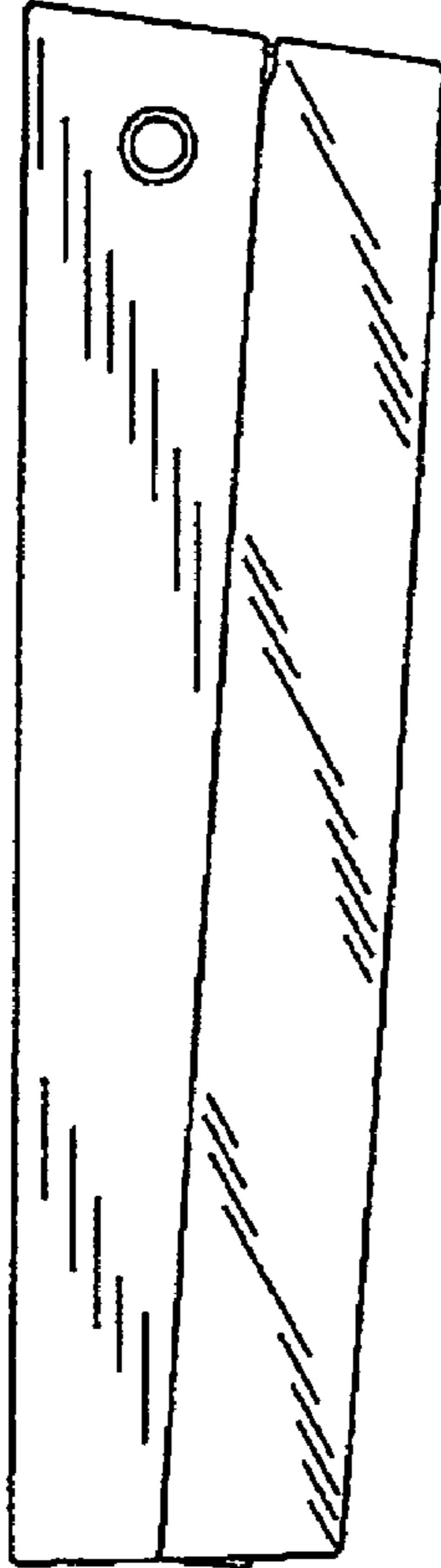


FIG. 6

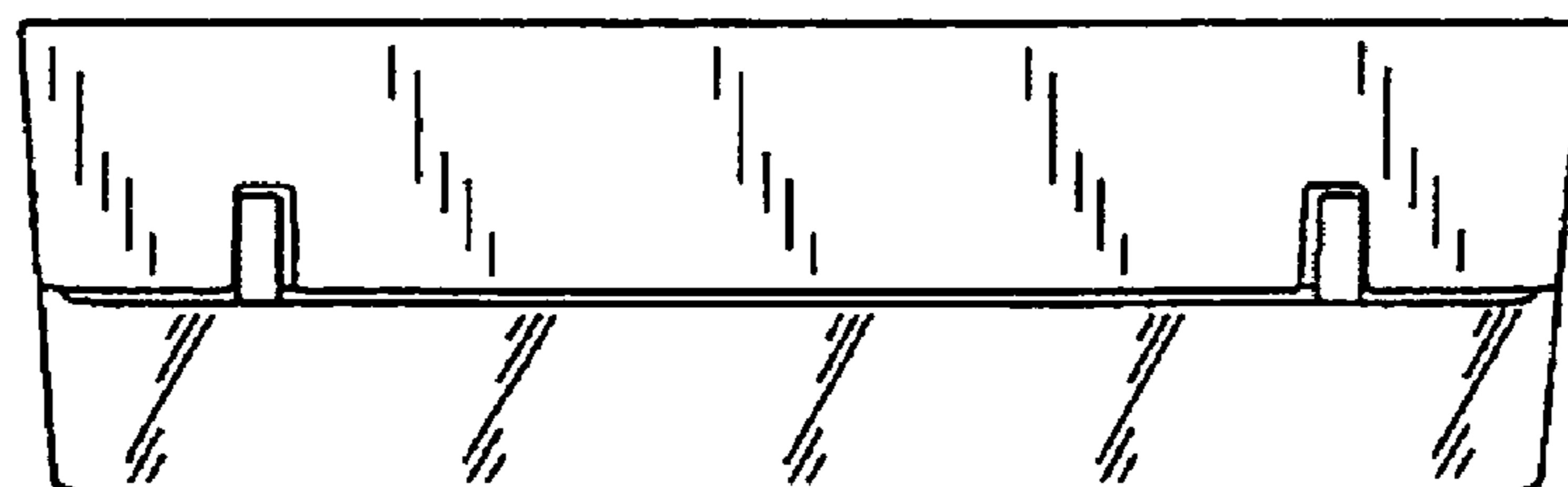


FIG. 7

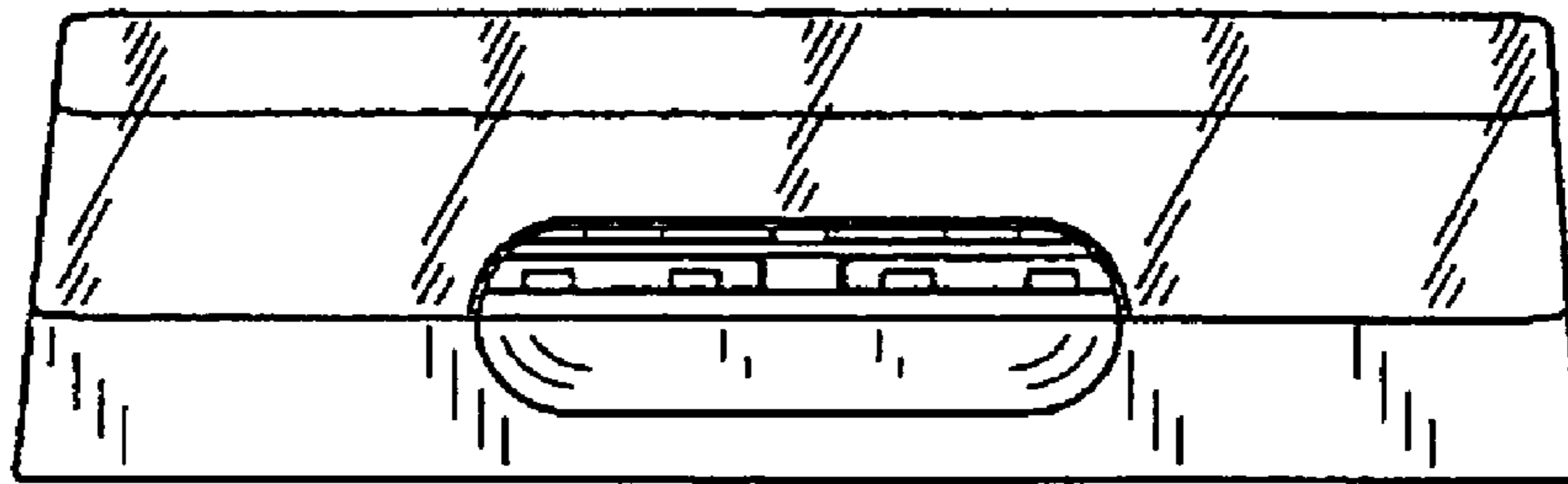


FIG. 8

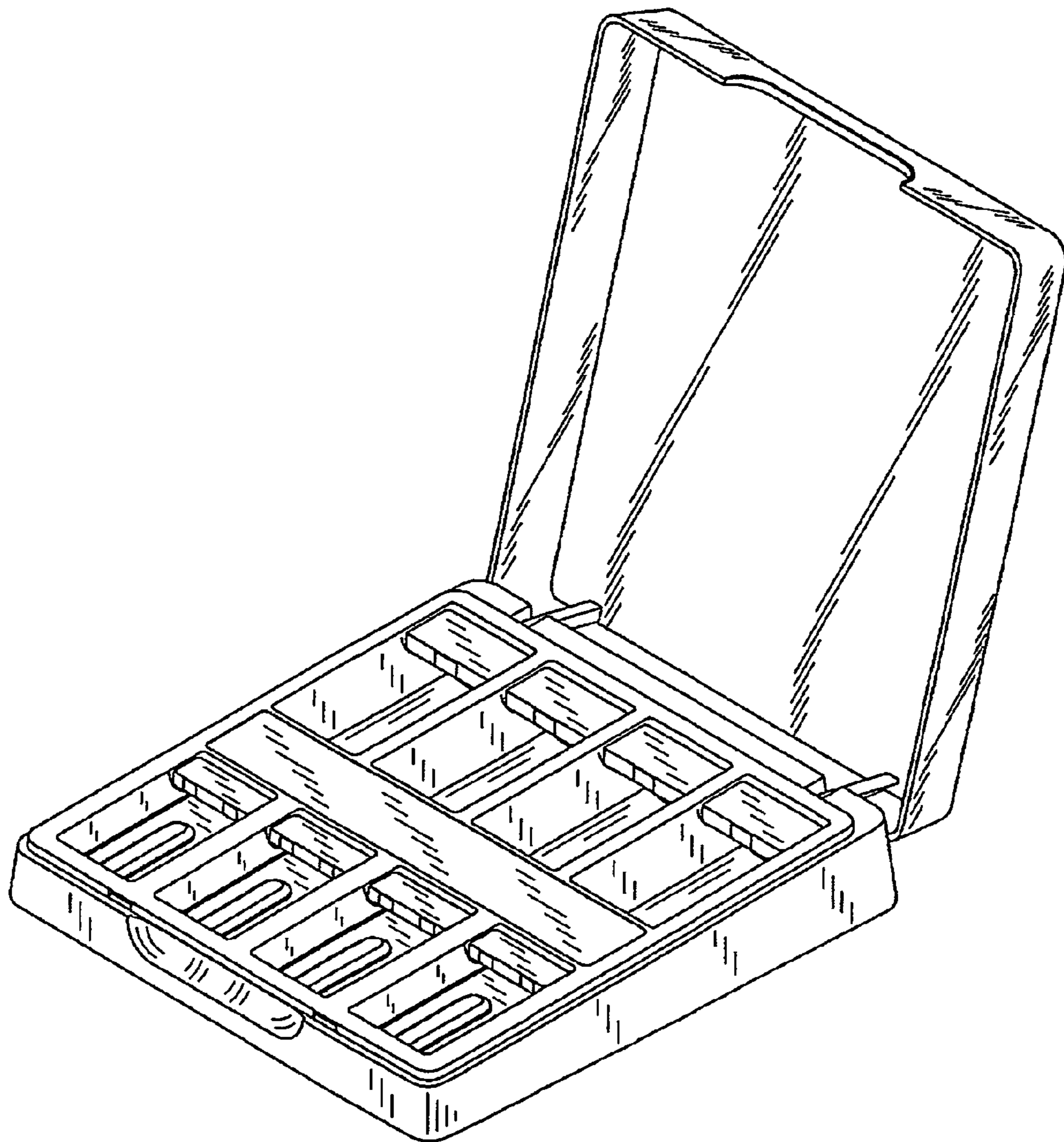


FIG. 9

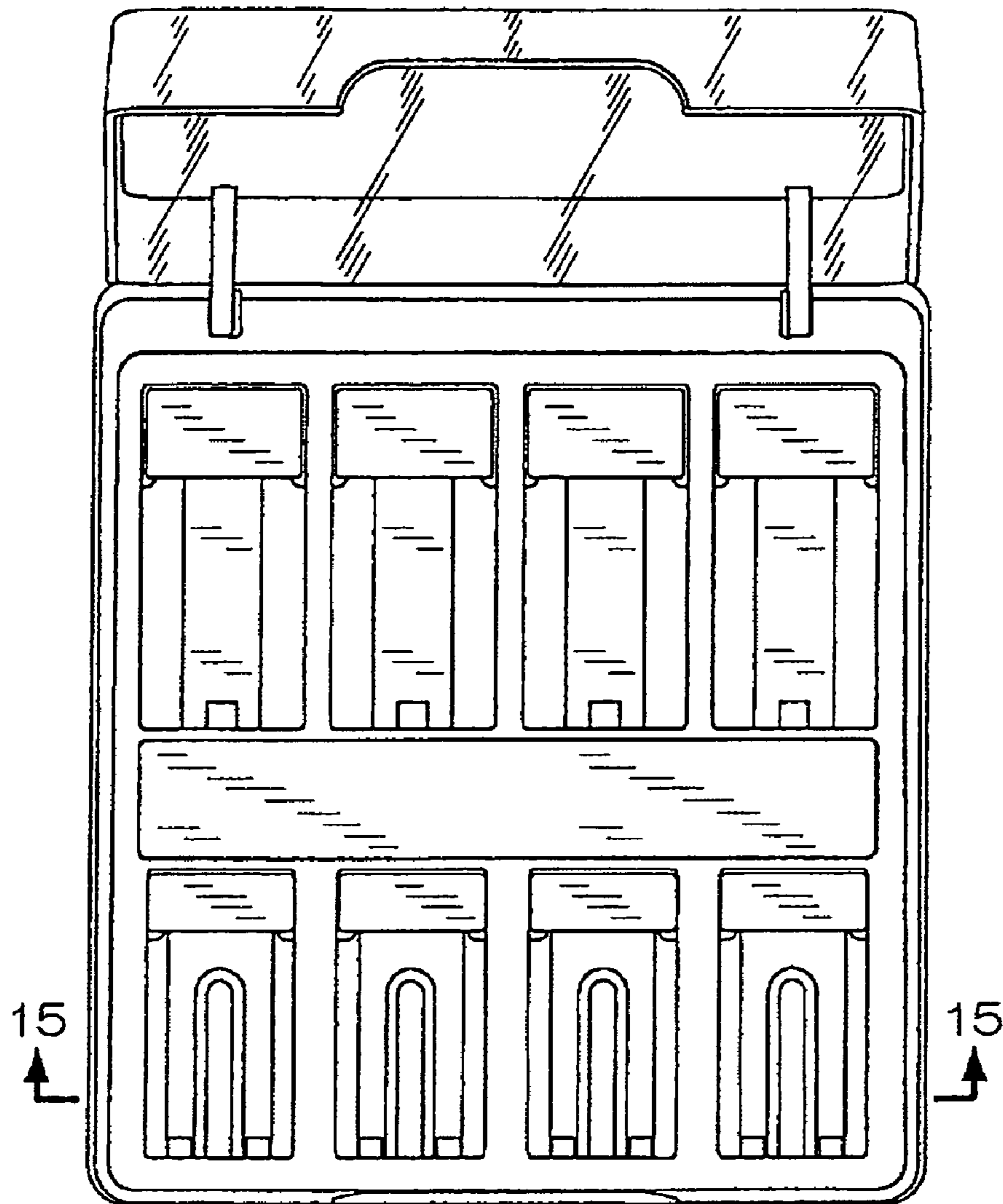


FIG. 10

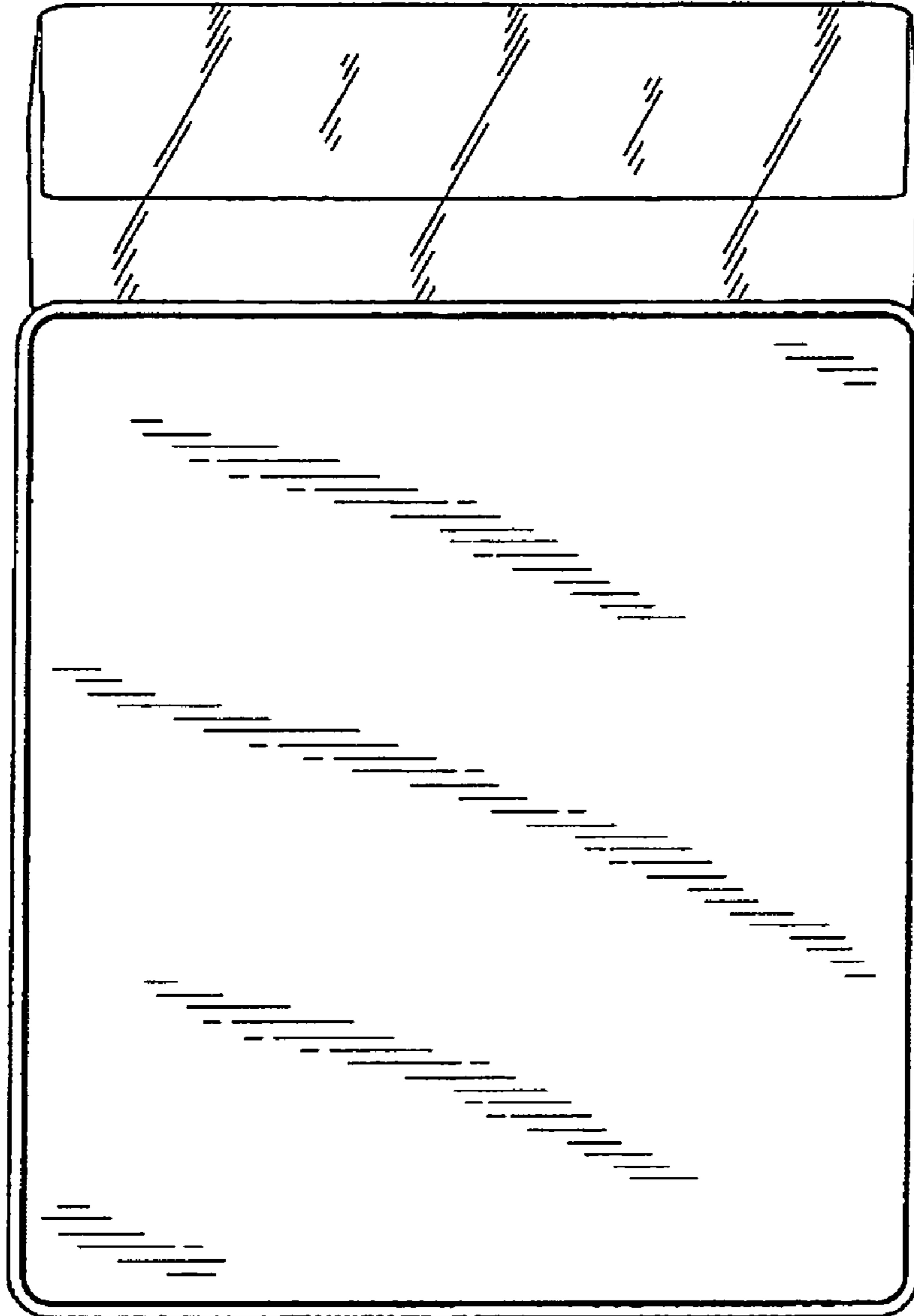




FIG. 11

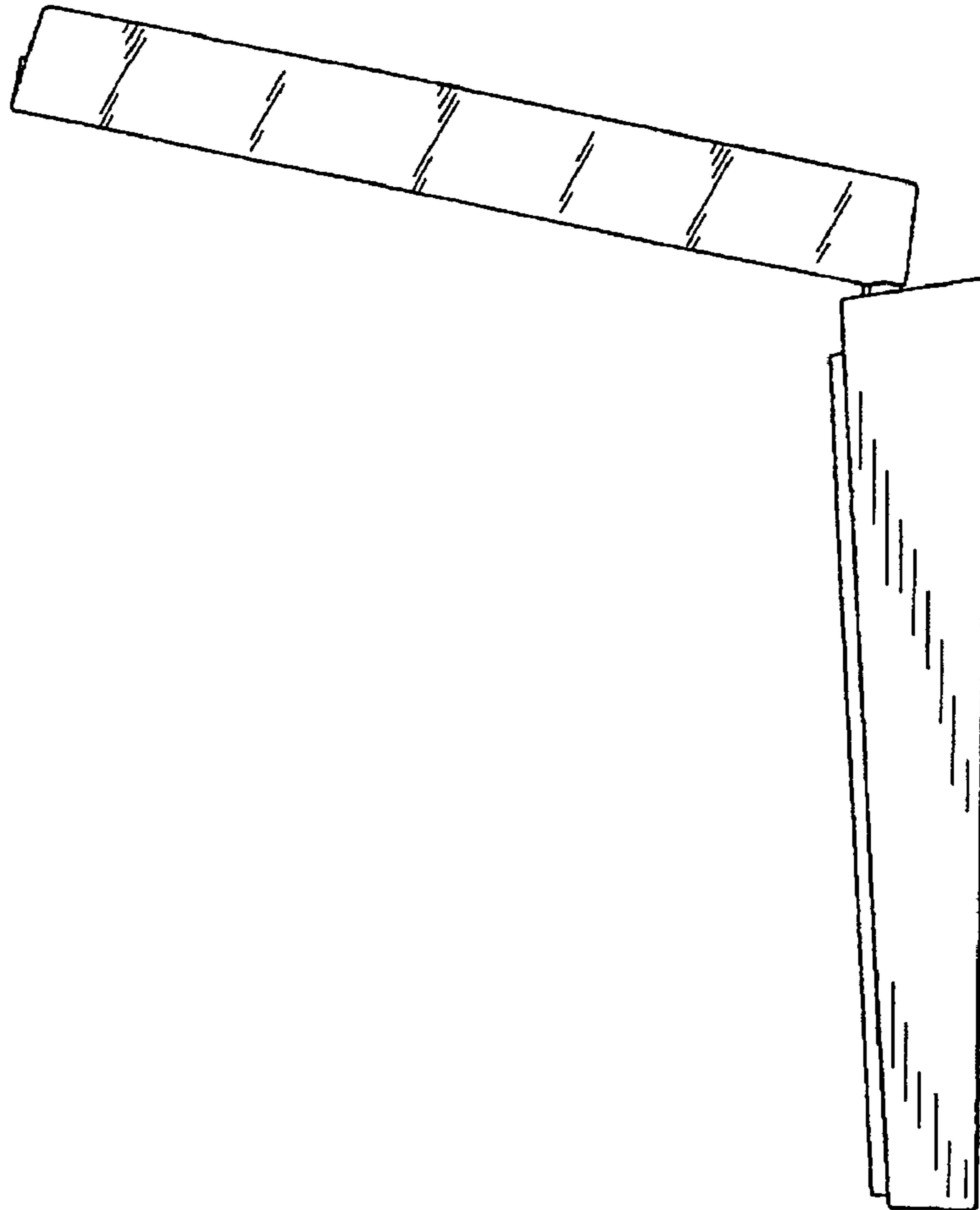


FIG. 12

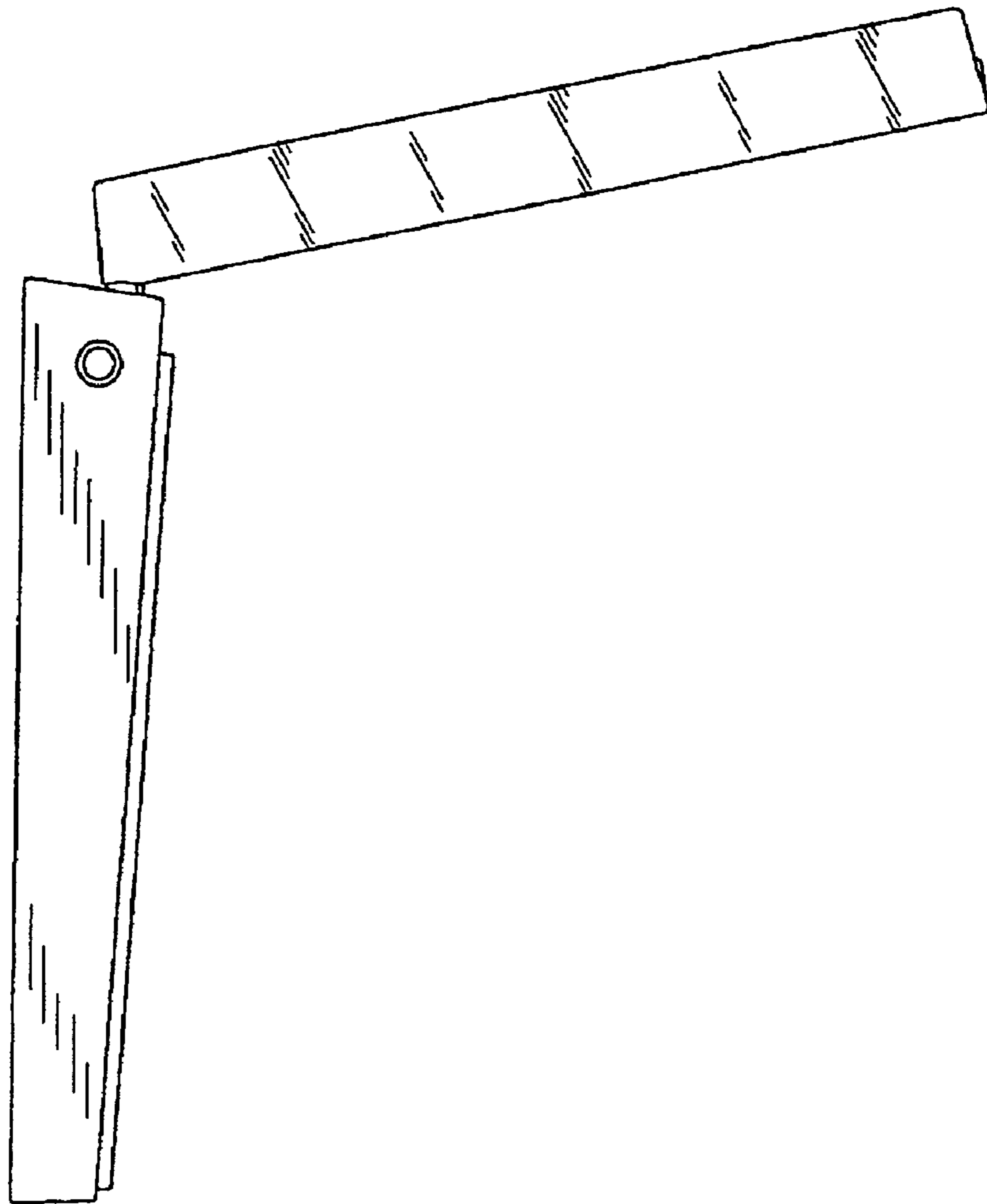


FIG. 13

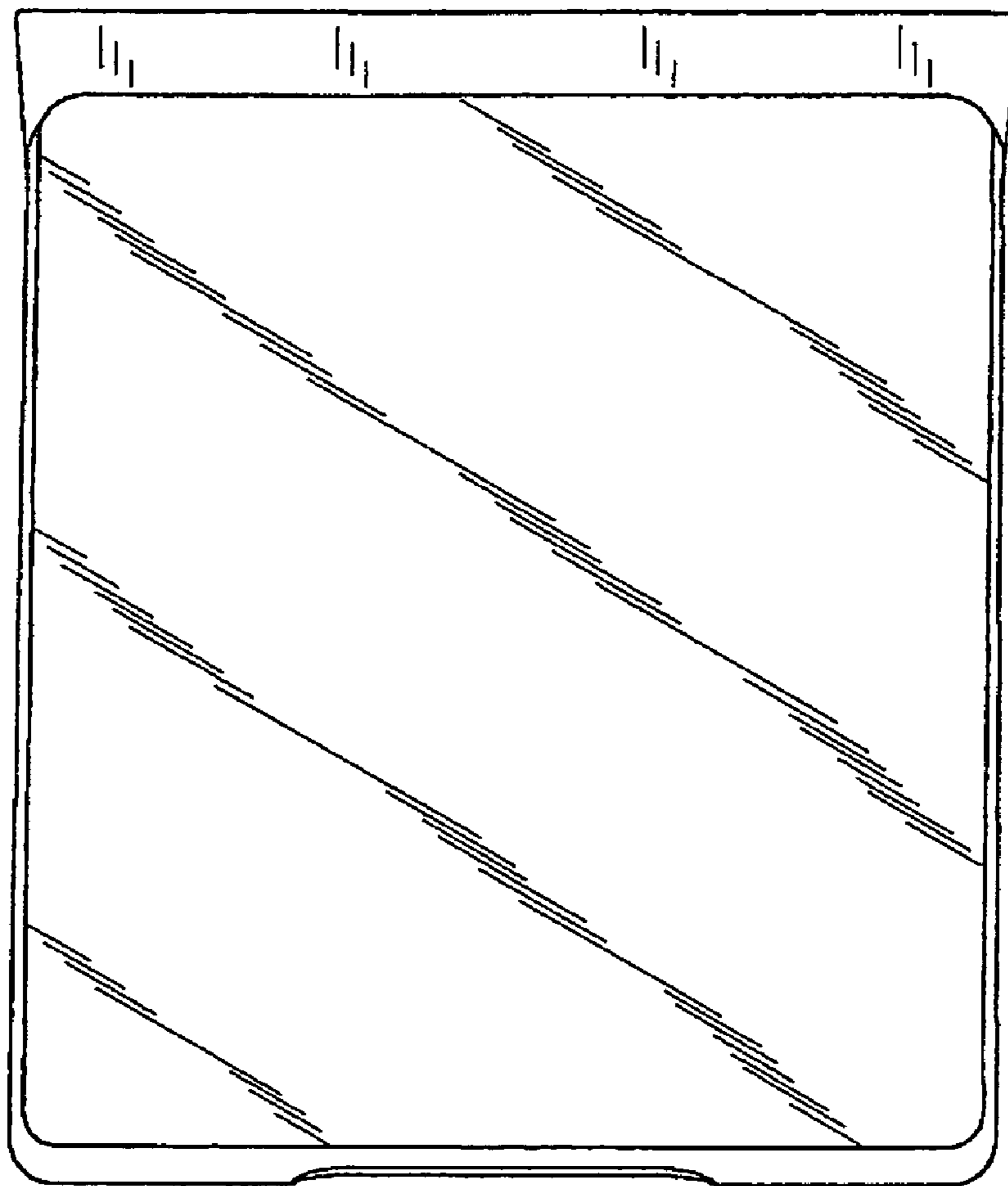


FIG. 14

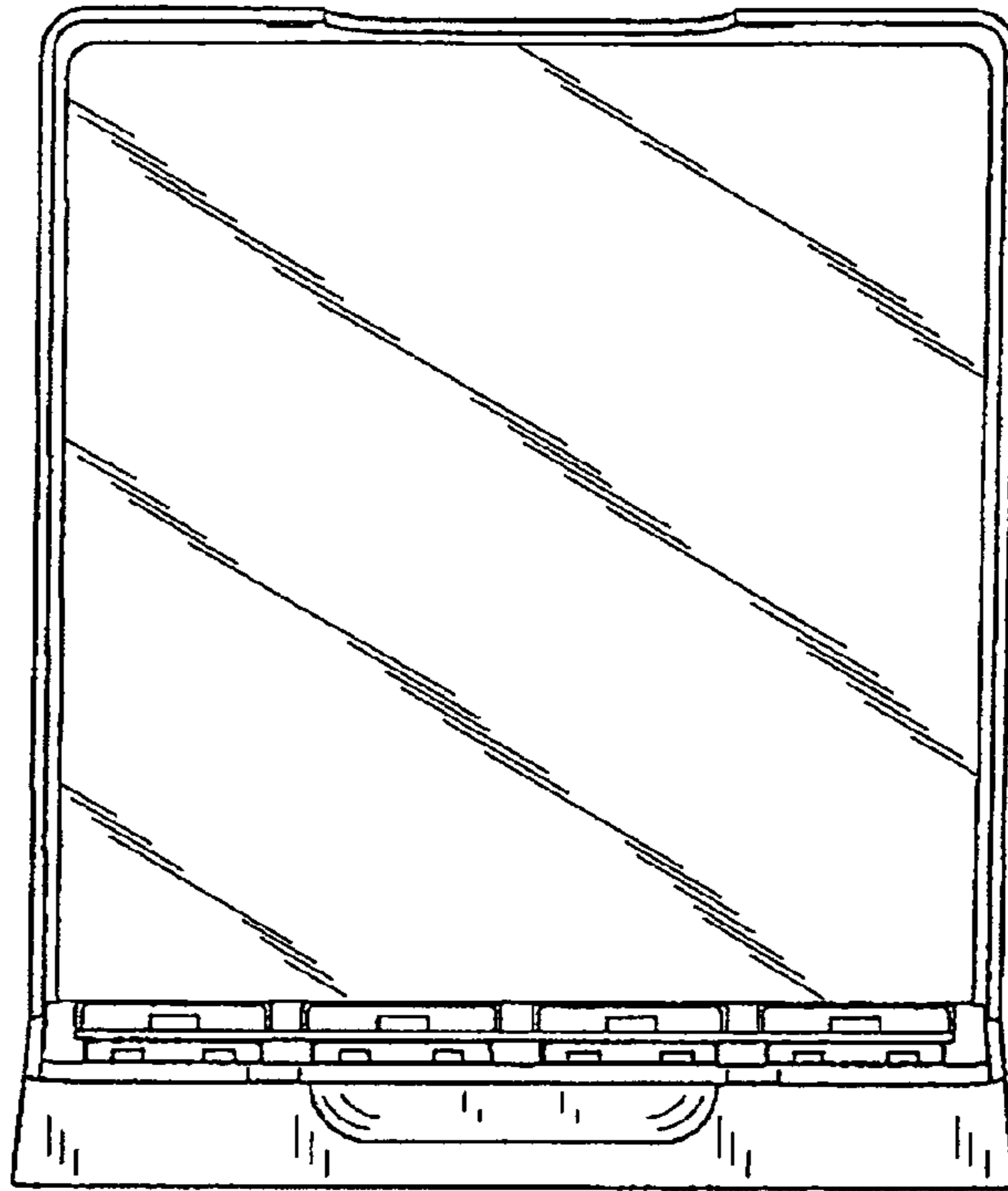


FIG. 15

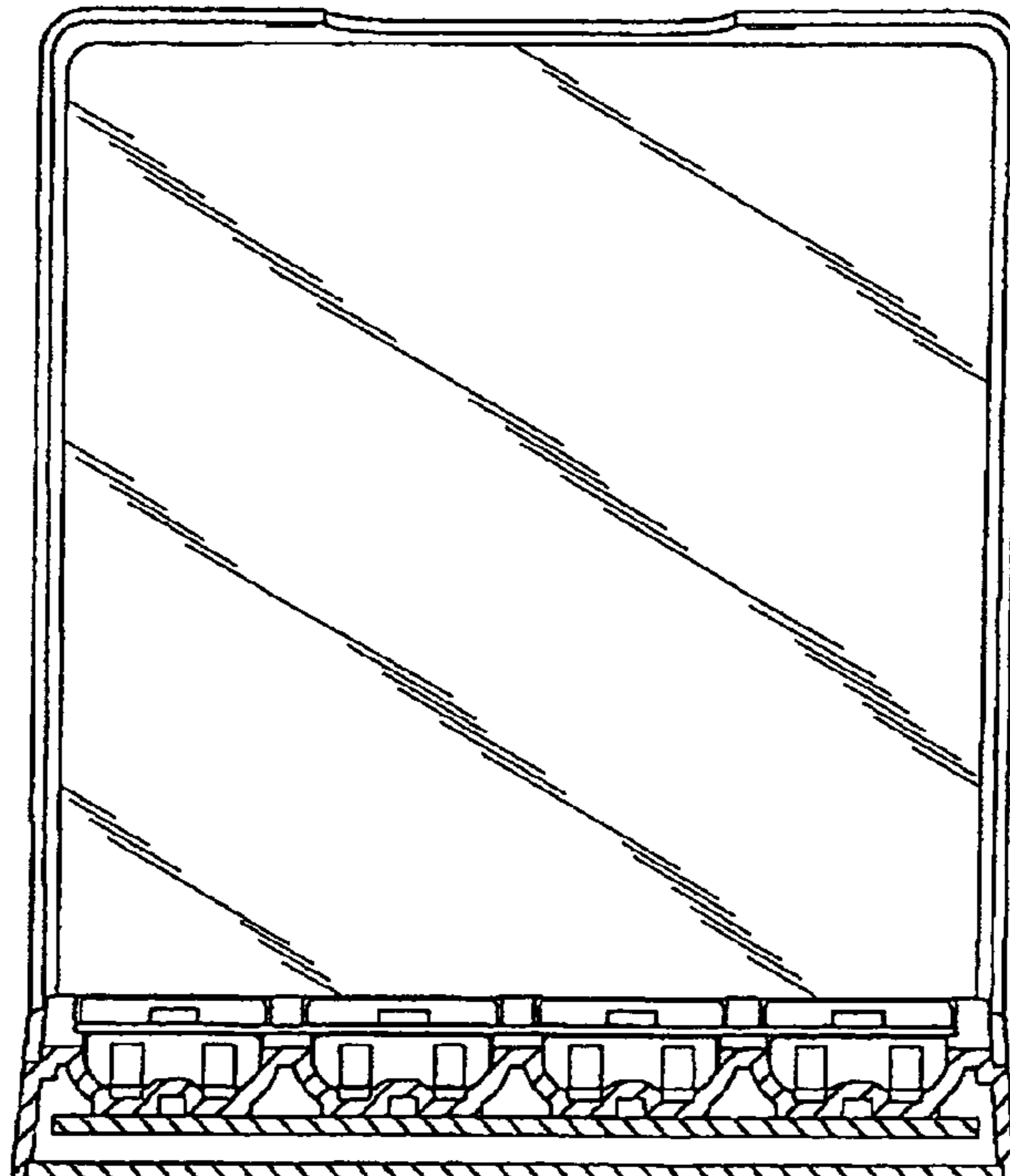


FIG. 16

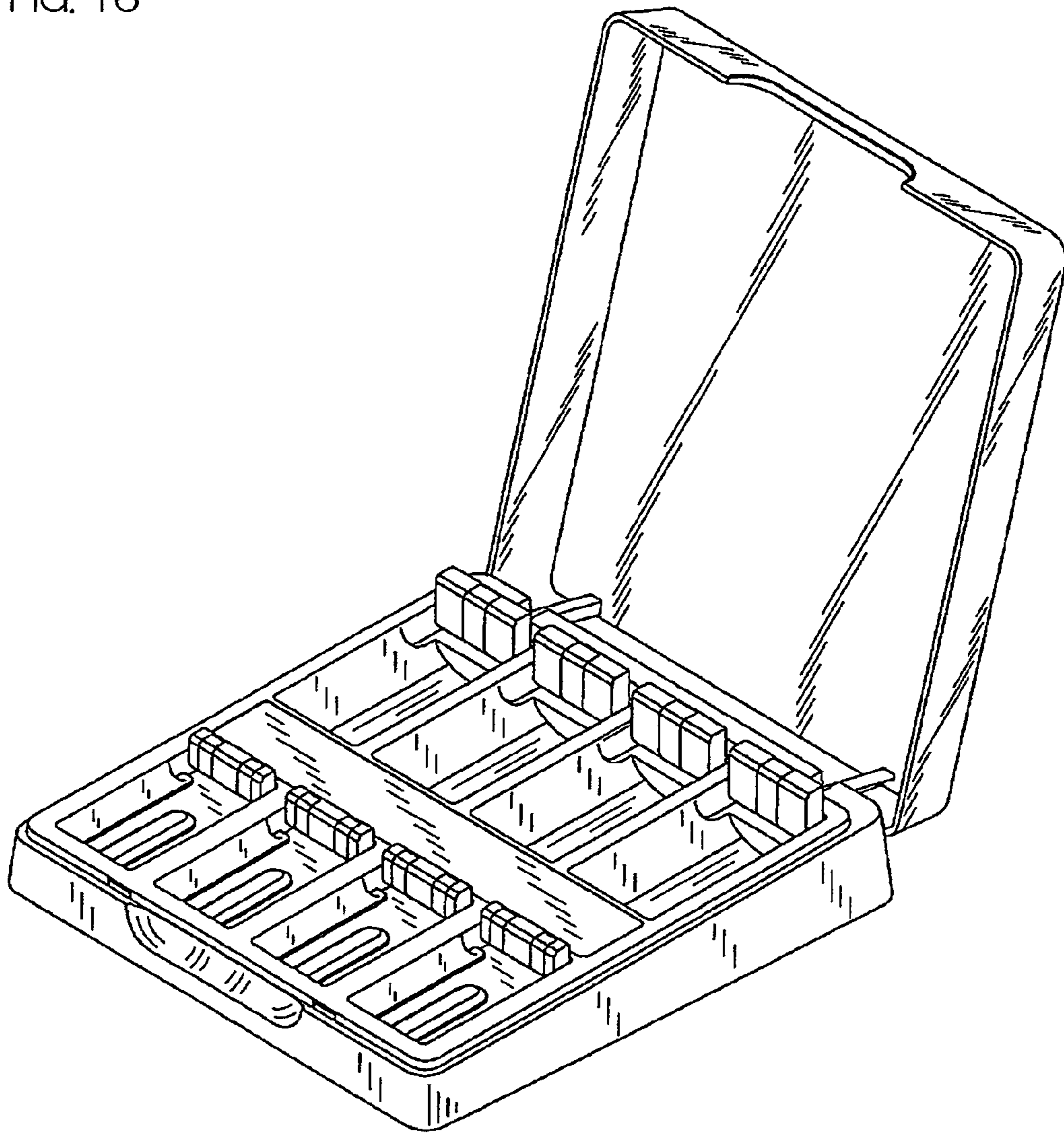


FIG. 17

