



US00D605586S

(12) **United States Design Patent**
Tong

(10) **Patent No.:** **US D605,586 S**

(45) **Date of Patent:** **** Dec. 8, 2009**

(54) **POWER PACK**

(75) Inventor: **Shubin Tong**, Nanjing (CN)

(73) Assignee: **Chervon Limited**, Wanchai (HK)

(**) Term: **14 Years**

(21) Appl. No.: **29/323,911**

(22) Filed: **Sep. 3, 2008**

(30) **Foreign Application Priority Data**

May 28, 2008 (CN) 2008 3 0136787

(51) **LOC (9) Cl.** **13-02**

(52) **U.S. Cl.** **D13/103**

(58) **Field of Classification Search** D13/102-106,
D13/110, 118-119, 184; 429/96-100, 163,
429/176

See application file for complete search history.

(56) **References Cited**

U.S. PATENT DOCUMENTS

- 530,485 A * 12/1894 Hubbell 429/82
- D46,023 S * 6/1914 Gillingham D13/103
- D100,199 S * 6/1936 Burgess D13/103
- D303,373 S * 9/1989 Ching, Jr. D13/103
- D383,435 S * 9/1997 Svetlik D13/103
- D384,031 S * 9/1997 Lui D13/103

- D459,298 S * 6/2002 Locke et al. D13/103
- D471,862 S * 3/2003 Kasahara et al. D13/103
- 6,589,683 B2 * 7/2003 Staats, III 429/34
- D489,679 S * 5/2004 Wong D13/103

* cited by examiner

Primary Examiner—Jennifer Rivard

Assistant Examiner—Rosemary K Tarcza

(74) *Attorney, Agent, or Firm*—Gary R. Jarosik; Greenberg
Traurig, LLP

(57) **CLAIM**

What is claimed is the ornamental design for a power pack, as shown and described.

DESCRIPTION

FIG. 1 is a perspective view of a power pack showing my new design;

FIG. 2 is a top plan view thereof;

FIG. 3 is a bottom plan view thereof;

FIG. 4 is a left side elevational view thereof;

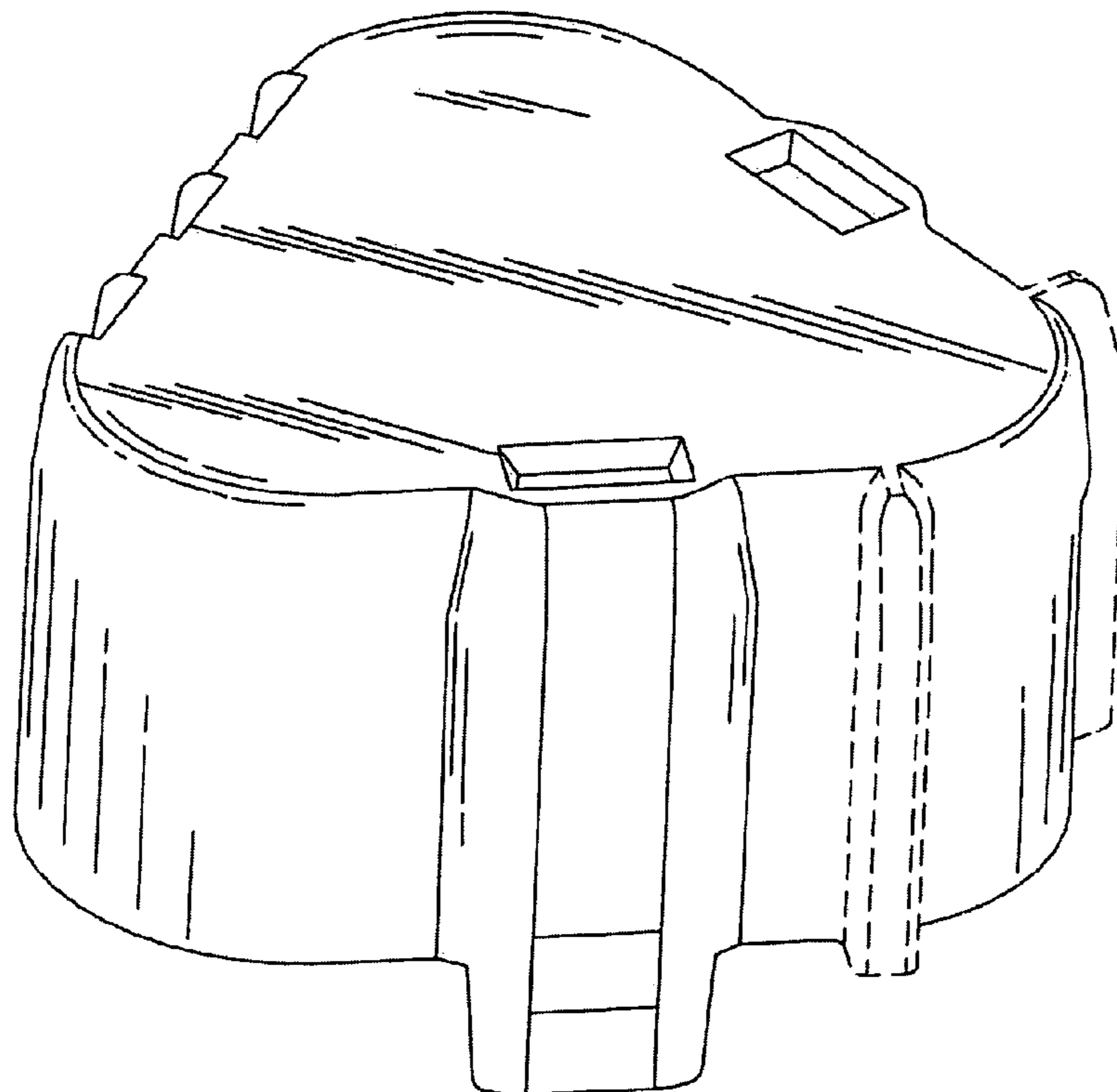
FIG. 5 is a right side elevational view thereof;

FIG. 6 is a rear elevational view thereof; and,

FIG. 7 is a front elevational view thereof.

The elements shown in broken lines are provided for illustrative purposes only and form no part of the design claimed.

1 Claim, 7 Drawing Sheets



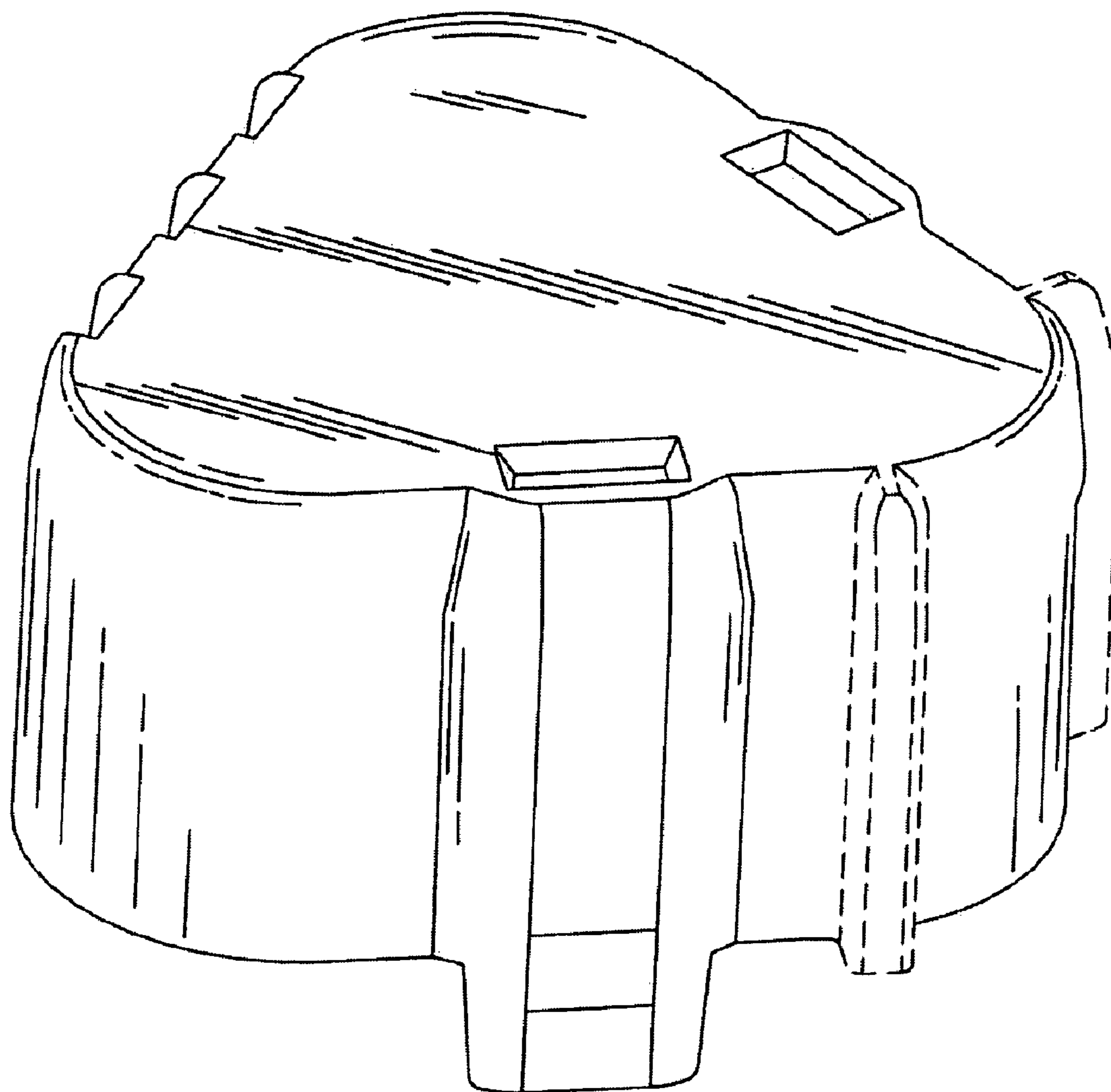


FIG. 1

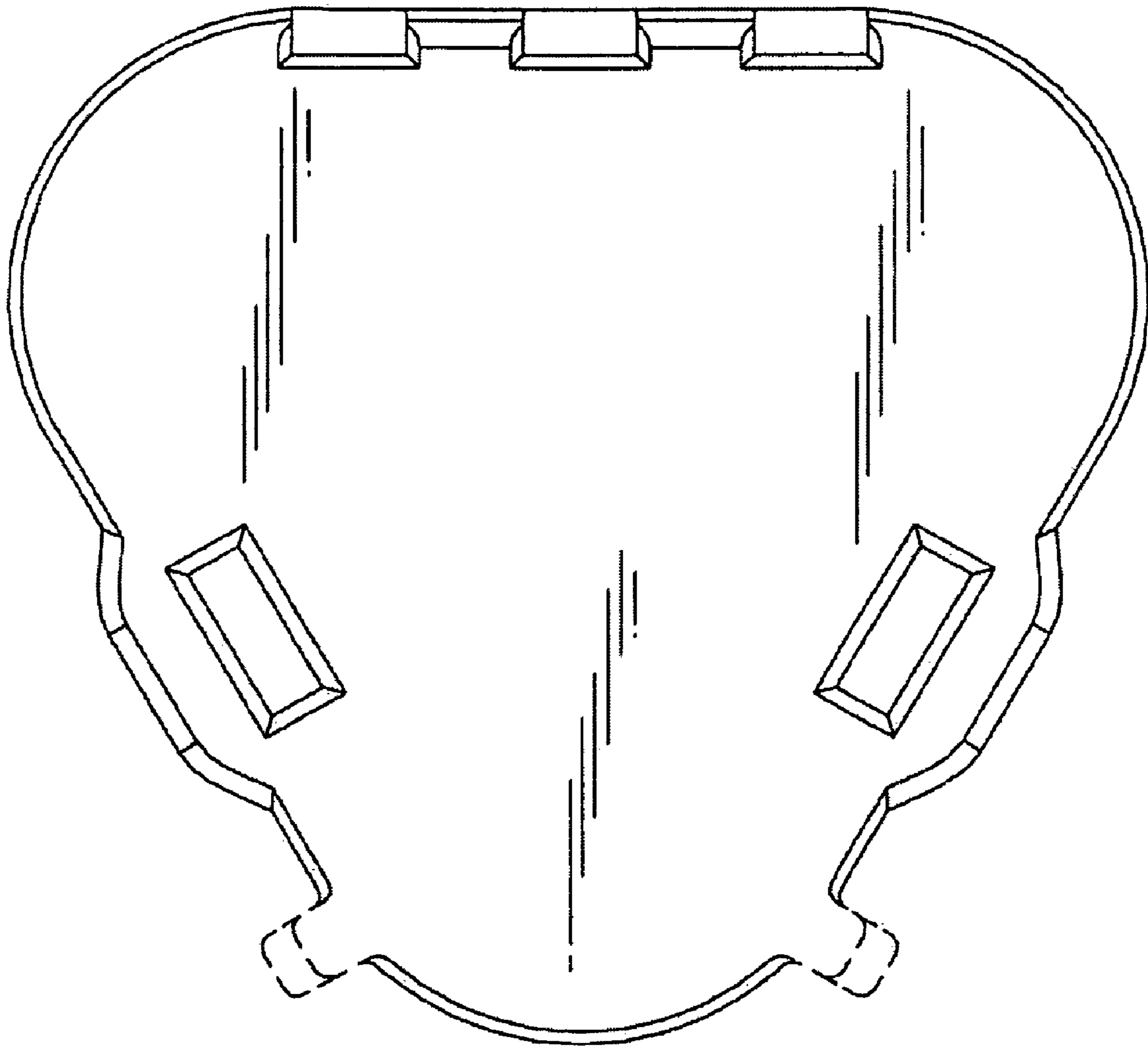


FIG. 2

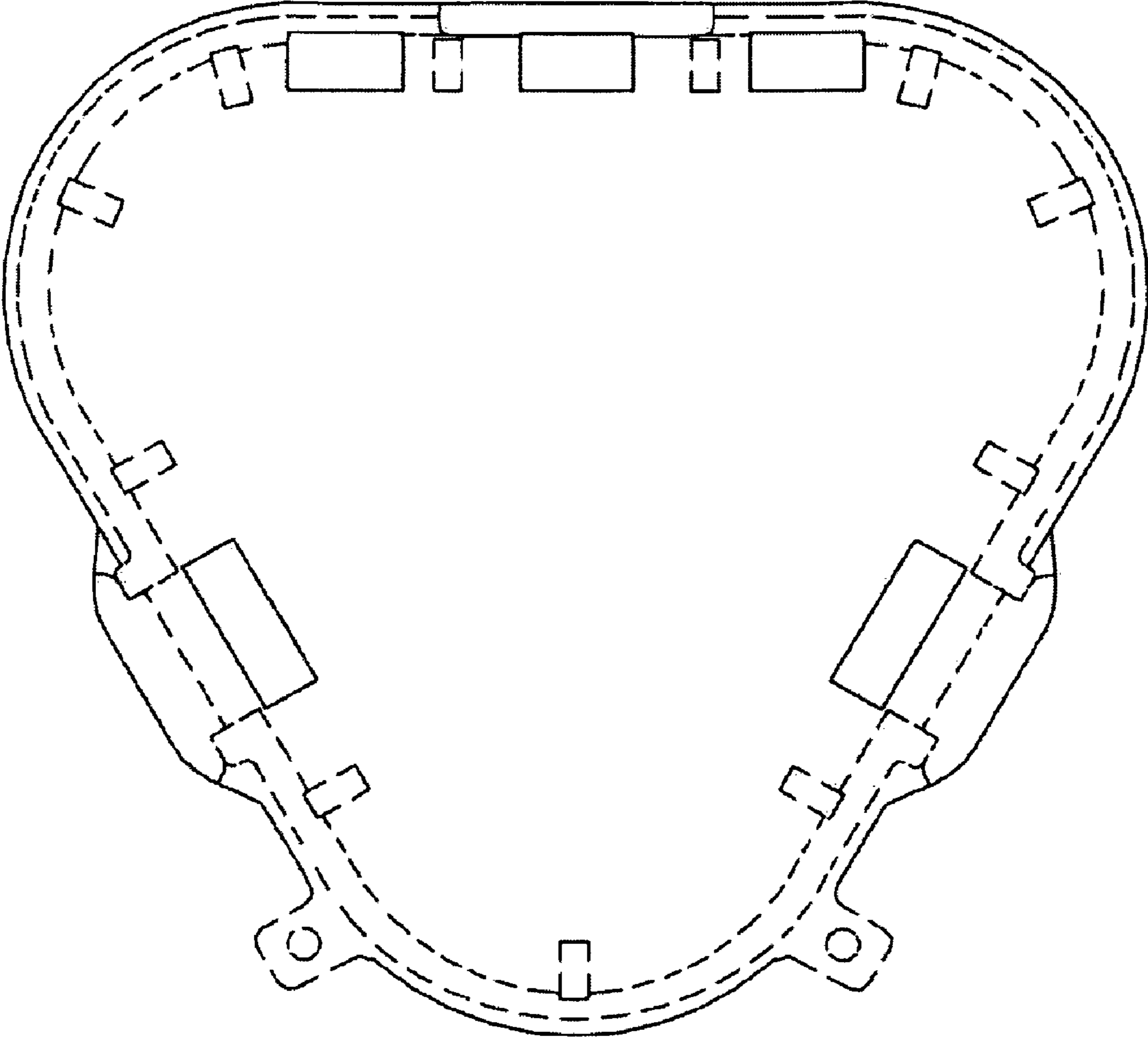


FIG. 3

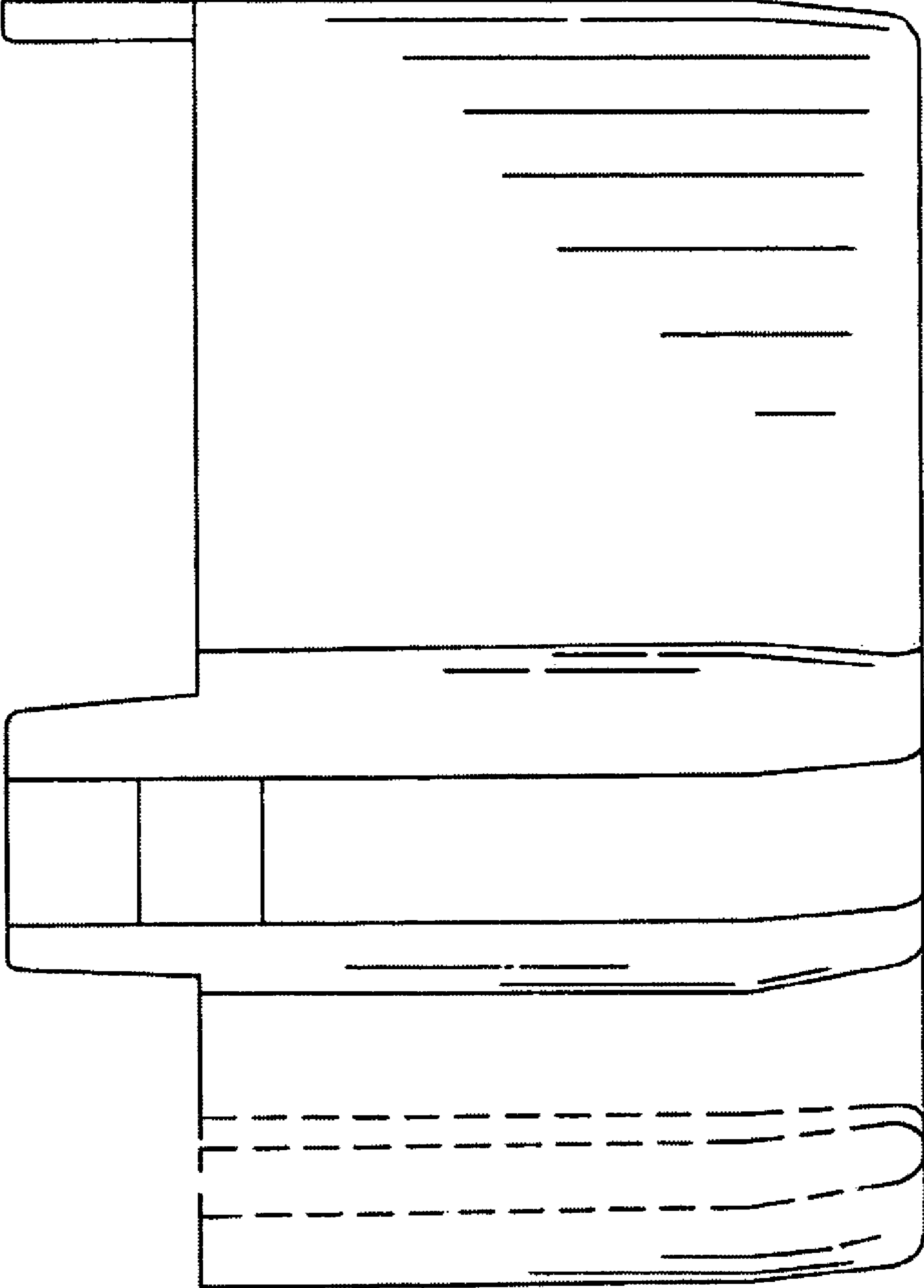


FIG. 4

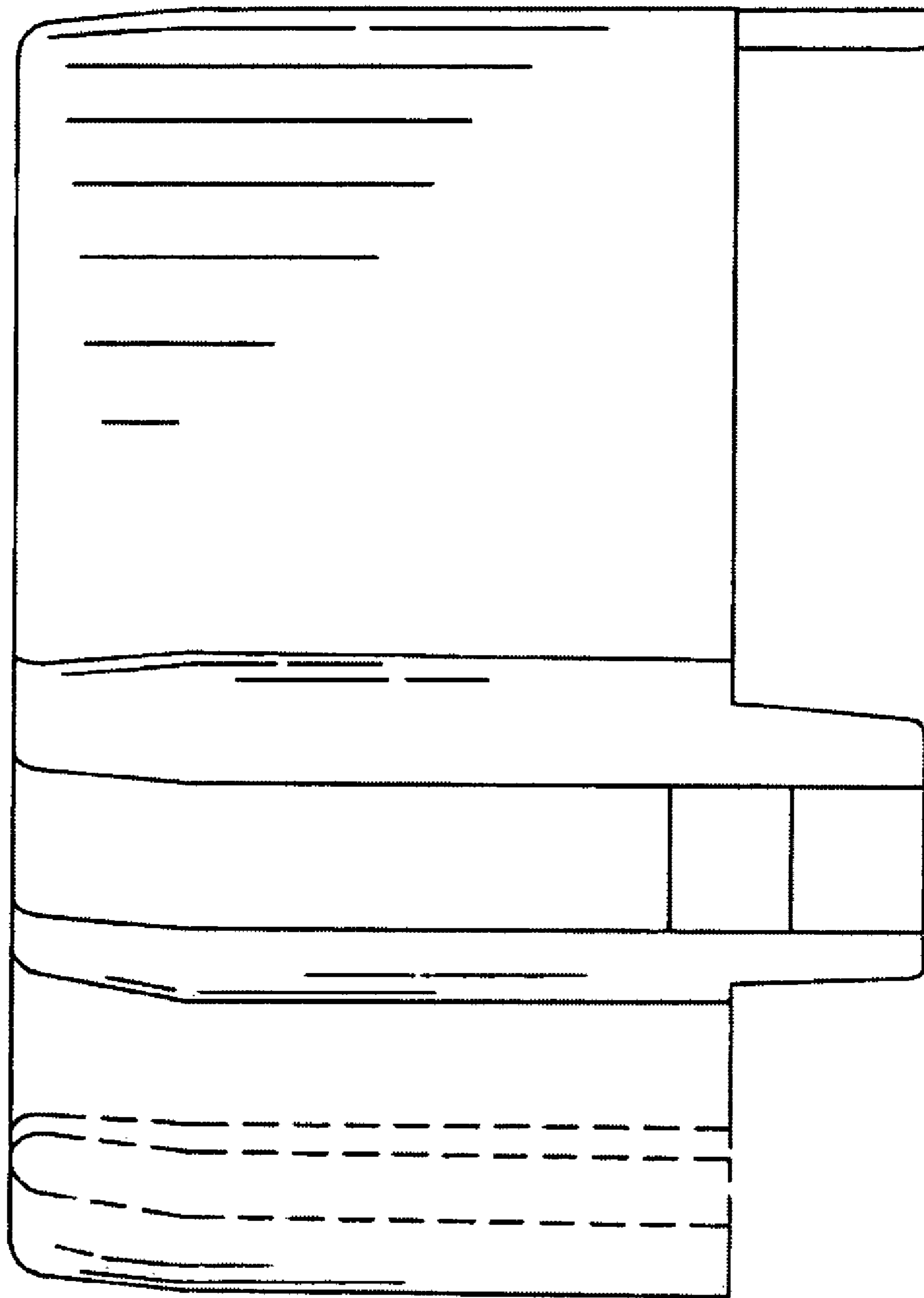


FIG. 5

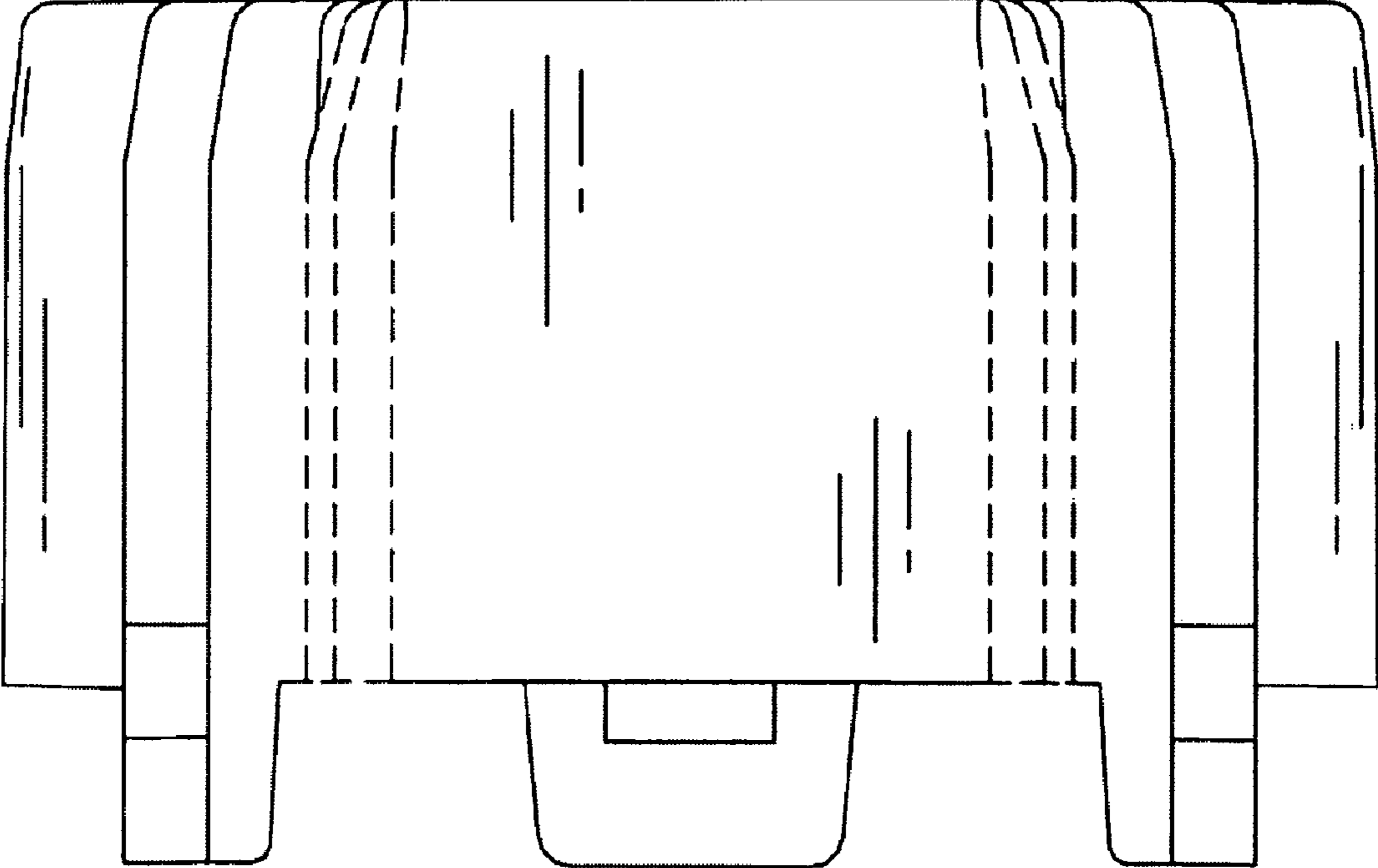


FIG. 6

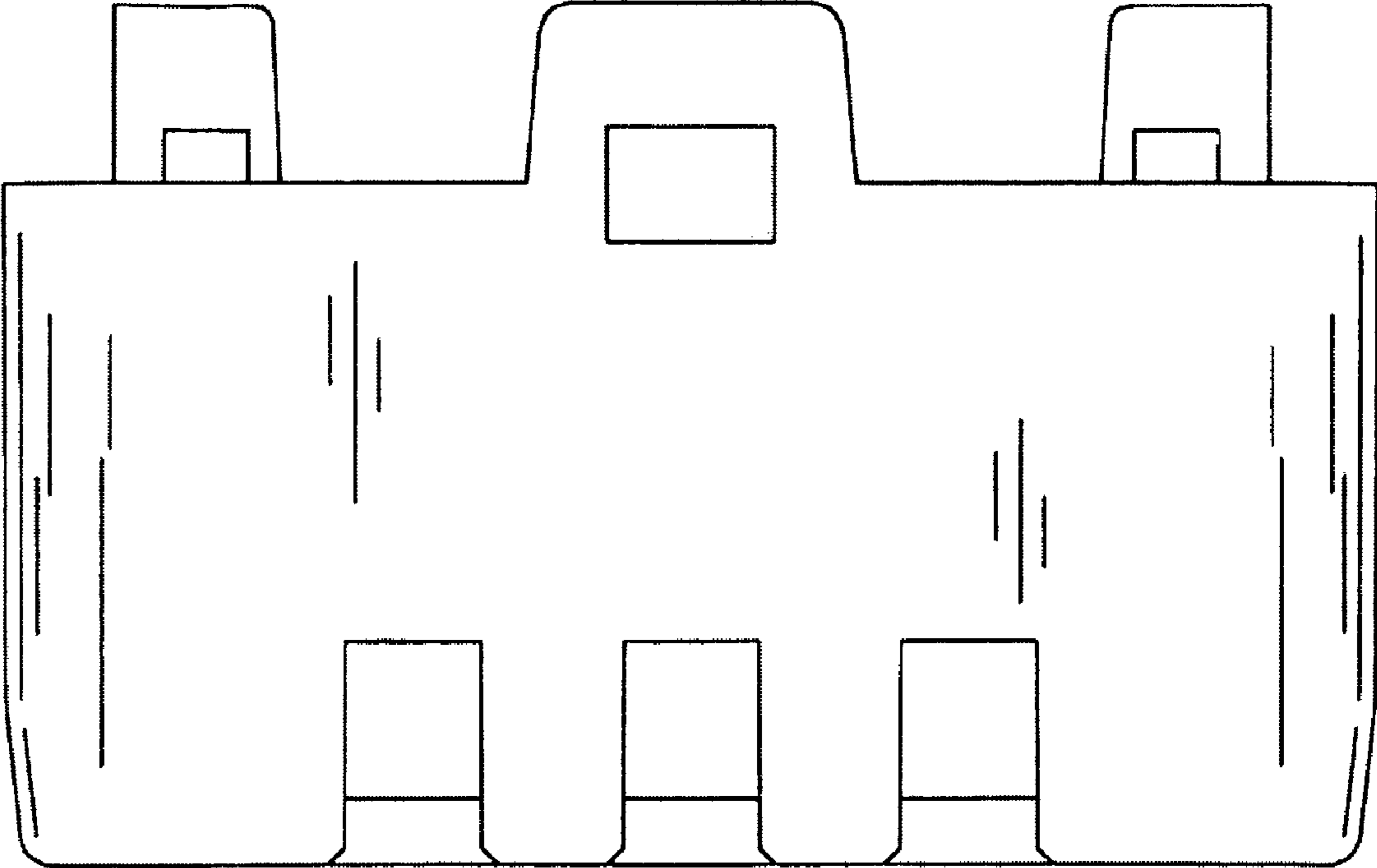


FIG. 7