



US00D605585S

(12) **United States Design Patent**
Conger

(10) **Patent No.:** **US D605,585 S**
(45) **Date of Patent:** **** Dec. 8, 2009**

- (54) **SOLAR ARRAY**
- (75) Inventor: **Steven J. Conger**, Carbondale, CO (US)
- (73) Assignee: **Solar Suspension Systems, LLC**,
Carbondale, CO (US)
- (**) Term: **14 Years**
- (21) Appl. No.: **29/318,238**
- (22) Filed: **May 15, 2008**

- 5,125,608 A 6/1992 McMaster et al.
- 5,212,916 A 5/1993 Dippel et al.
- 5,478,407 A 12/1995 Dorison et al.
- D380,191 S * 6/1997 White D13/102
- D408,554 S * 4/1999 Dinwoodie D25/56
- 5,961,099 A 10/1999 Thommen, Jr.
- 6,091,016 A 7/2000 Kester
- 6,105,316 A * 8/2000 Bottger et al. 52/173.3

(Continued)

FOREIGN PATENT DOCUMENTS

DE 3643487 6/1988

(Continued)

OTHER PUBLICATIONS

U.S. Appl. No. 12/122,228, filed May 16, 2008, Conger.

(Continued)

- Related U.S. Application Data**
- (63) Continuation-in-part of application No. 11/856,521, filed on Sep. 17, 2007, which is a continuation of application No. 10/606,204, filed on Jun. 25, 2003, now Pat. No. 7,285,719.
 - (51) **LOC (9) Cl.** **13-02**
 - (52) **U.S. Cl.** **D13/102**
 - (58) **Field of Classification Search** D13/102,
D13/101, 184, 199; 52/173.3; 126/623,
126/624; 136/206, 244-251, 256, 291, 292
See application file for complete search history.

Primary Examiner—Prabhakar Deshmukh
Assistant Examiner—Derrick Holland
 (74) *Attorney, Agent, or Firm*—Sheridan Ross PC

(57) **CLAIM**

The ornamental design for a solar array, as shown and described.

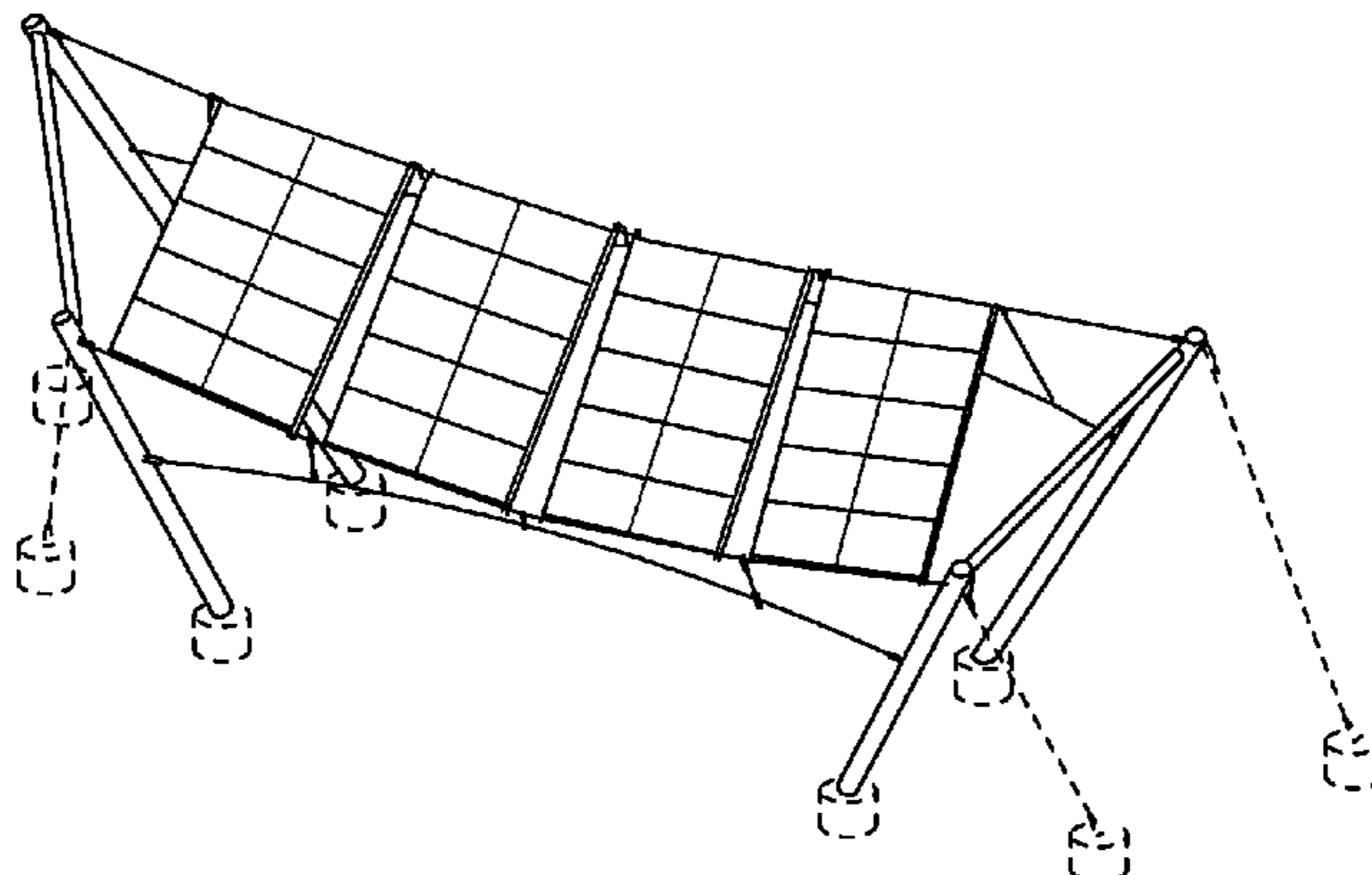
- (56) **References Cited**
- U.S. PATENT DOCUMENTS**
- 3,704,560 A 12/1972 Ratliff, Jr.
 - 4,063,963 A * 12/1977 Bond, Jr. 136/244
 - 4,071,017 A 1/1978 Russell, Jr. et al.
 - 4,216,762 A 8/1980 Klaila
 - 4,269,173 A 5/1981 Krueger et al.
 - D260,679 S * 9/1981 Mayerovitch D13/102
 - 4,380,996 A 4/1983 Mengerlinghausen
 - 4,386,600 A 6/1983 Eggert, Jr.
 - 4,415,759 A 11/1983 Copeland et al.
 - 4,449,347 A 5/1984 Rooney
 - 4,487,989 A * 12/1984 Wakefield et al. 136/256
 - 4,574,535 A 3/1986 Pabsch
 - 4,602,613 A 7/1986 Barr
 - 4,832,001 A 5/1989 Baer
 - D303,244 S * 9/1989 Hanak D13/102
 - 5,058,565 A 10/1991 Gee et al.

DESCRIPTION

FIG. 1 is a perspective view of a solar array showing my new design;
 FIG. 2 is a front elevation view thereof;
 FIG. 3 is a top plan view thereof;
 FIG. 4 is a rear elevation view thereof;
 FIG. 5 is a left side elevation view thereof;
 FIG. 6 is a right side elevation view thereof; and,
 FIG. 7 is a bottom plan view thereof.

The broken lines shown represent unclaimed subject matter and form no part of the claimed design.

1 Claim, 2 Drawing Sheets



U.S. PATENT DOCUMENTS

6,397,869 B1 6/2002 Jennings
 D469,399 S * 1/2003 Shugar D13/102
 6,563,040 B2 5/2003 Hayden et al.
 D475,320 S * 6/2003 Hensley et al. D11/157
 7,285,719 B2 10/2007 Conger
 2005/0109384 A1 5/2005 Shingleton et al.
 2005/0141153 A1 6/2005 Mucci et al.
 2006/0124168 A1 6/2006 Momii et al.
 2008/0047546 A1 2/2008 Cummings
 2008/0057776 A1 3/2008 Cummings
 2008/0061193 A1 3/2008 Conger
 2008/0135095 A1 6/2008 Cummings et al.
 2008/0168981 A1 7/2008 Cummings et al.

FOREIGN PATENT DOCUMENTS

DE 4038646 6/1992
 EP 0373234 6/1990

OTHER PUBLICATIONS

“Coolearth technology” coolearth, available at <http://www.coolearthsolar.com/technology>, date unknown, p. 1-2.
 Examination Report for European Patent Application No. 04759693.7-1528, dated Apr. 27, 2007.

International Search Report for International (PCT) Patent Application No. PCT/US2004/008509, dated Oct. 22, 2004.
 Written Opinion for International (PCT) Patent Application No. PCT/US2004/008509, dated Oct. 21, 2004.
 International Preliminary Report on Patentability for International (PCT) Patent Application No. PCT/US2004/008509, dated Oct. 14, 2005.
 “Sharp Provides Solar Panels for Winery’s “Floatovoltaic” Solar Array”, available at <http://solarbuss.com/News/NewsNAPR1099.htm>, dated May 29, 2008 (accessed Jun. 23, 2008), pp. 1-2.
 U.S. Appl. No. 12/143,624, filed Jun. 20, 2008, Conger.
 U.S. Appl. No. 29/319,853, filed Jun. 16, 2008, Conger.
 Foster + Partners “Hearst Headquarters”, available at <http://www.fosterandpartners.com/Projects/1124/Default.aspx>, printed Aug. 5, 2008, 11 pages.
 Examiner’s First Report for Australian Patent Application No. 2004231646, dated Jul. 23, 2008.
 International Search Report for International (PCT) Patent Application No. PCT/US08/71414, dated Sep. 26, 2008.
 Written Opinion for International (PCT) Patent Application No. PCT/US08/71414, dated Sep. 26, 2008.
 International Search Report for International (PCT) Patent Application No. PCT/US09/44060, mailed Jun. 24, 2009
 Written Opinion for International (PCT) Patent Application No. PCT/US09/44060, mailed Jun. 24, 2009.
 * cited by examiner

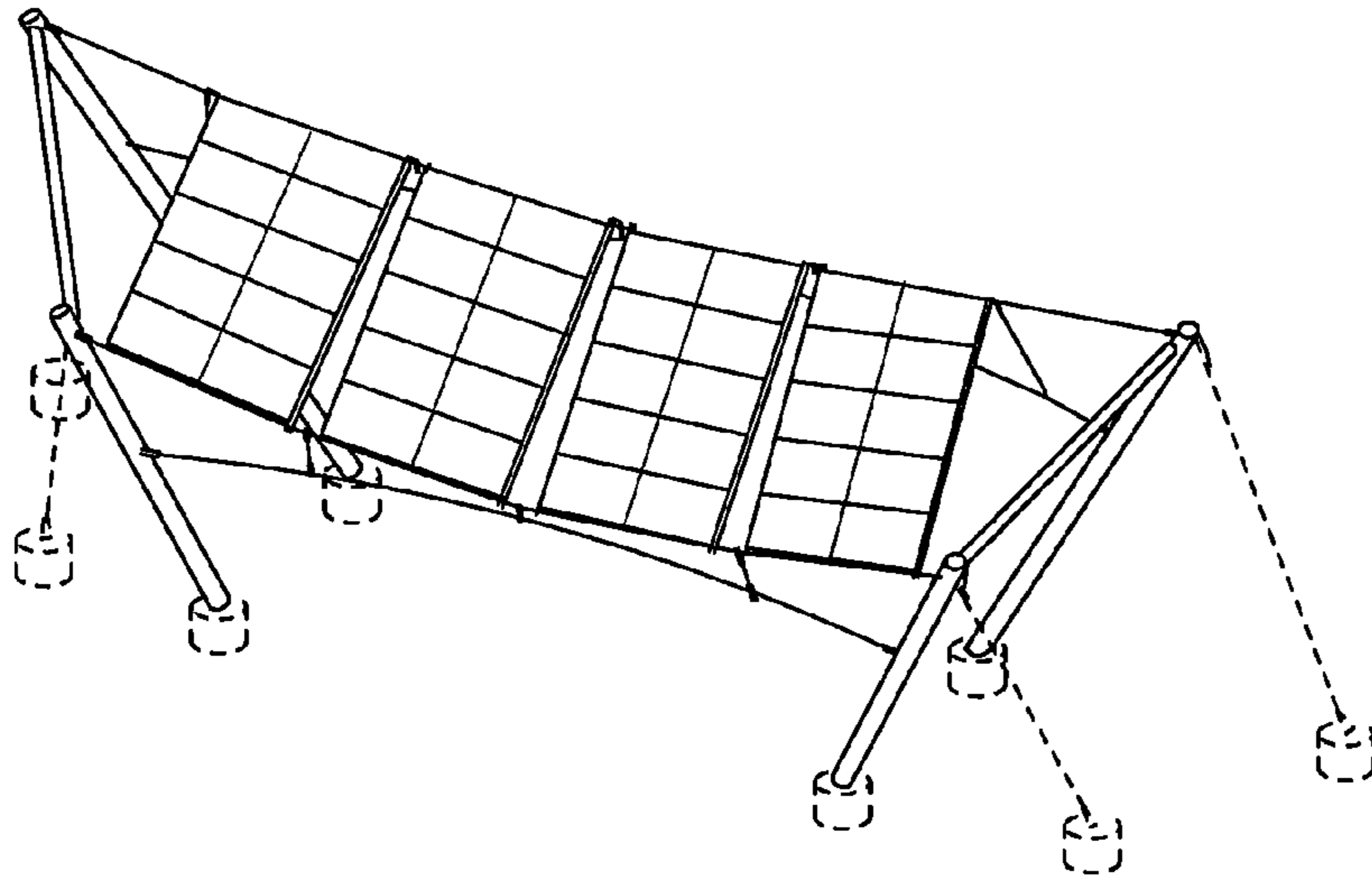


Fig. 1

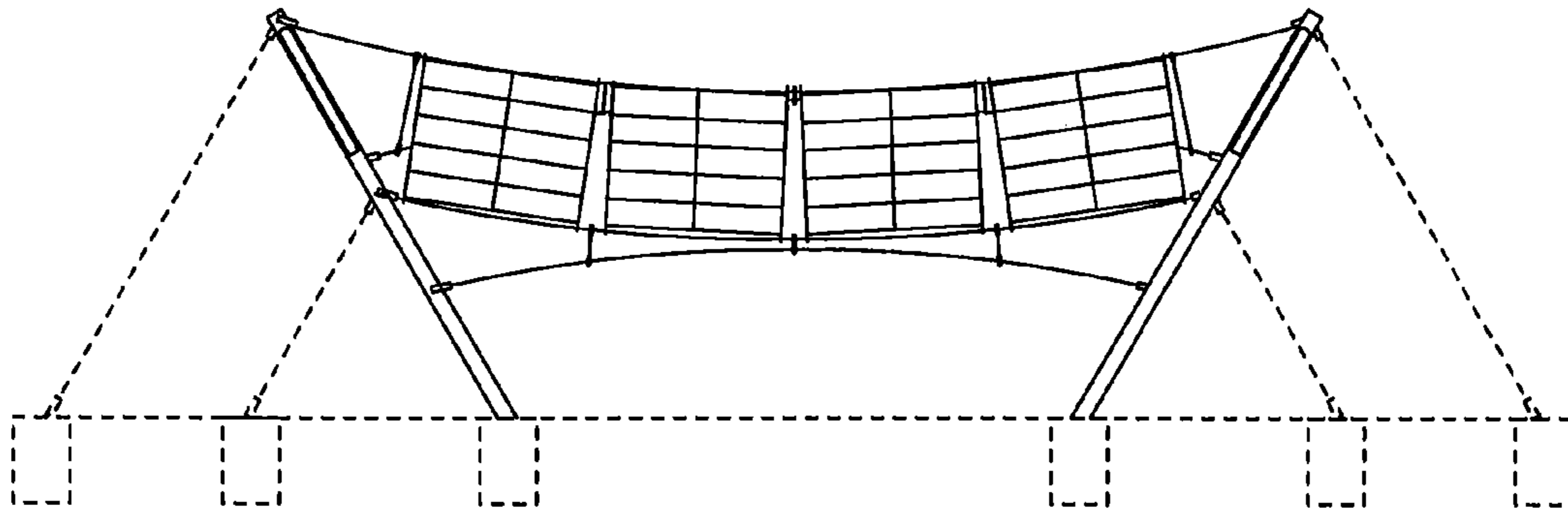


Fig. 2

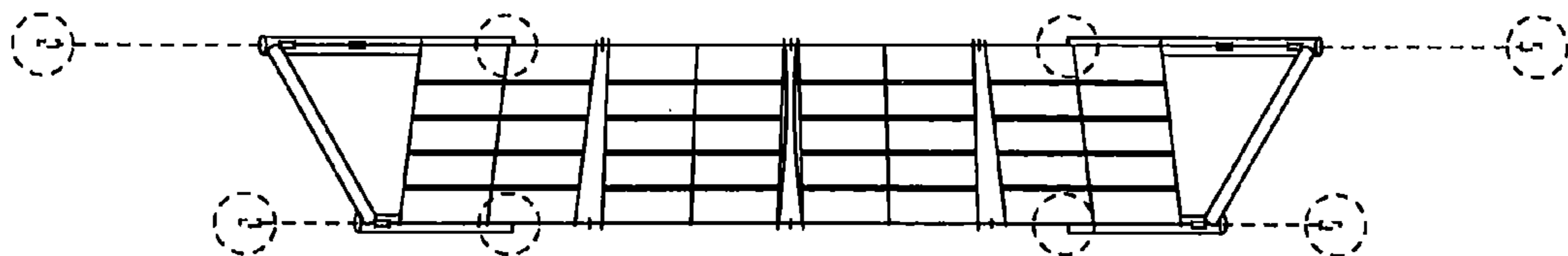


Fig. 3

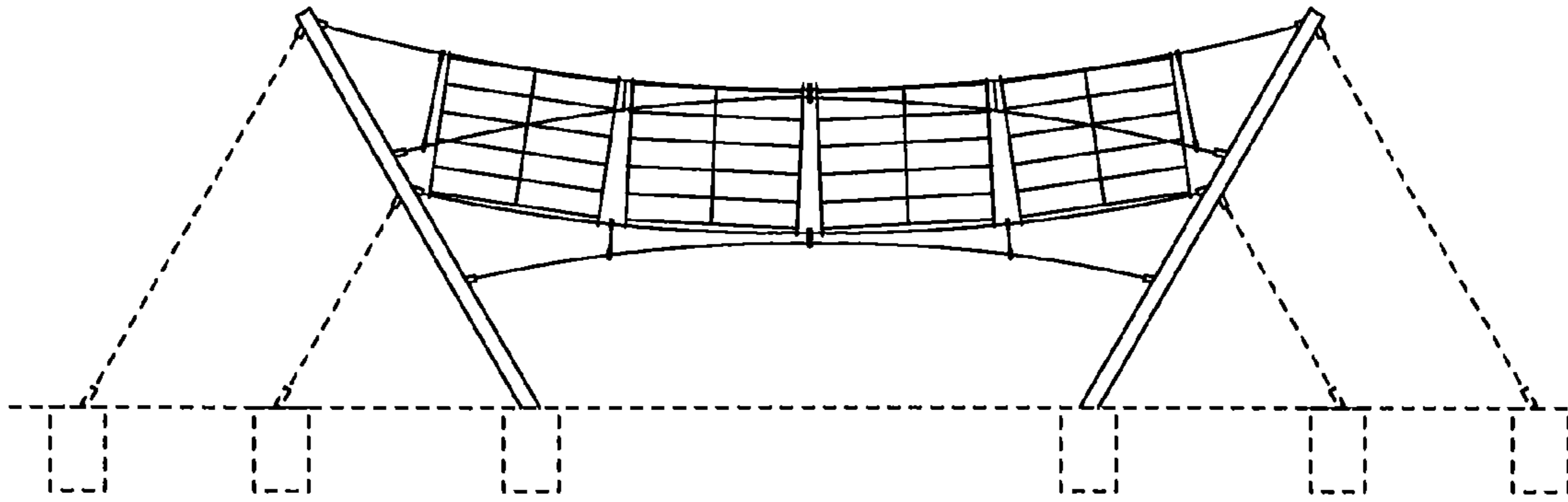


Fig. 4

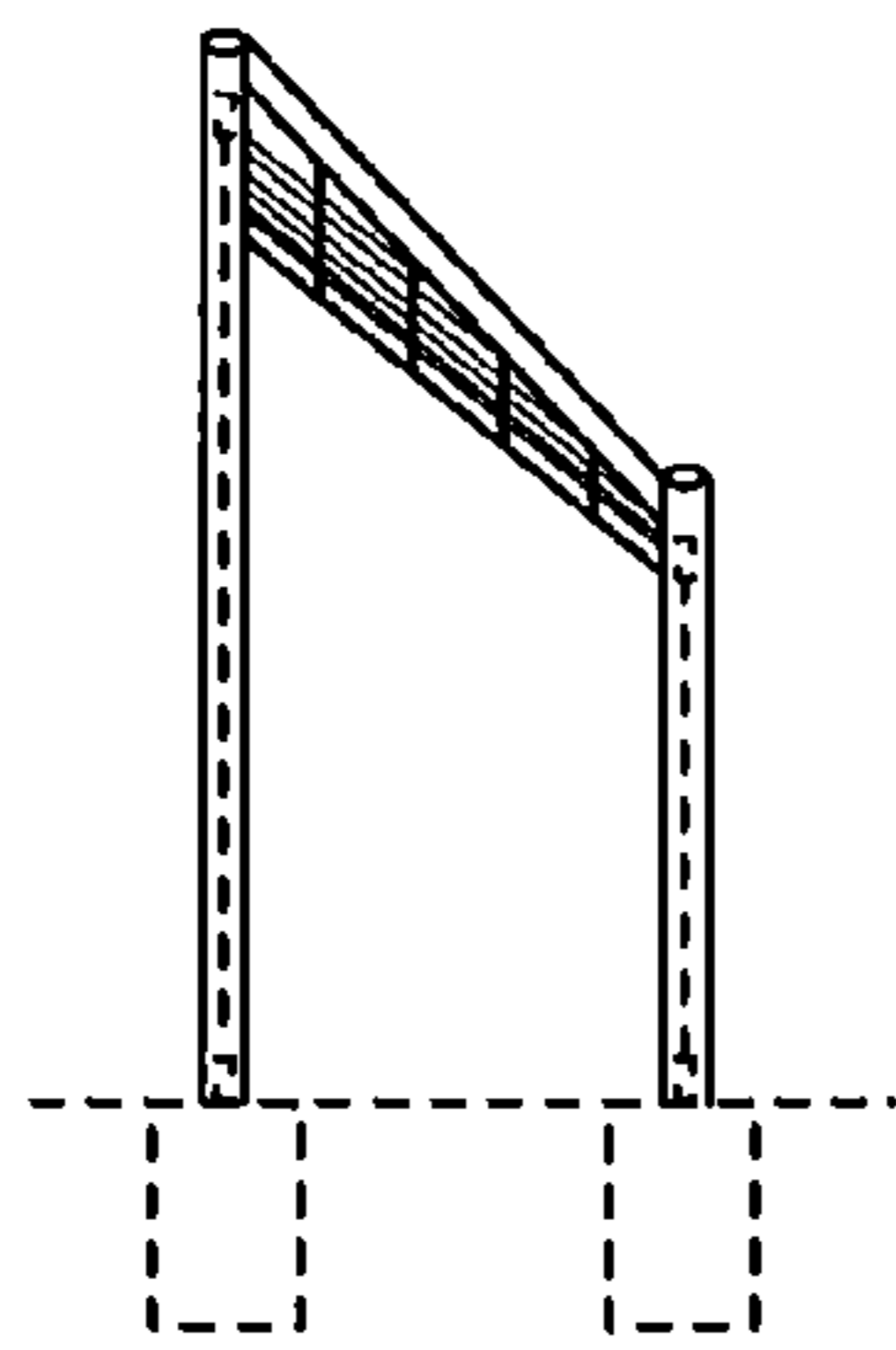


Fig. 5

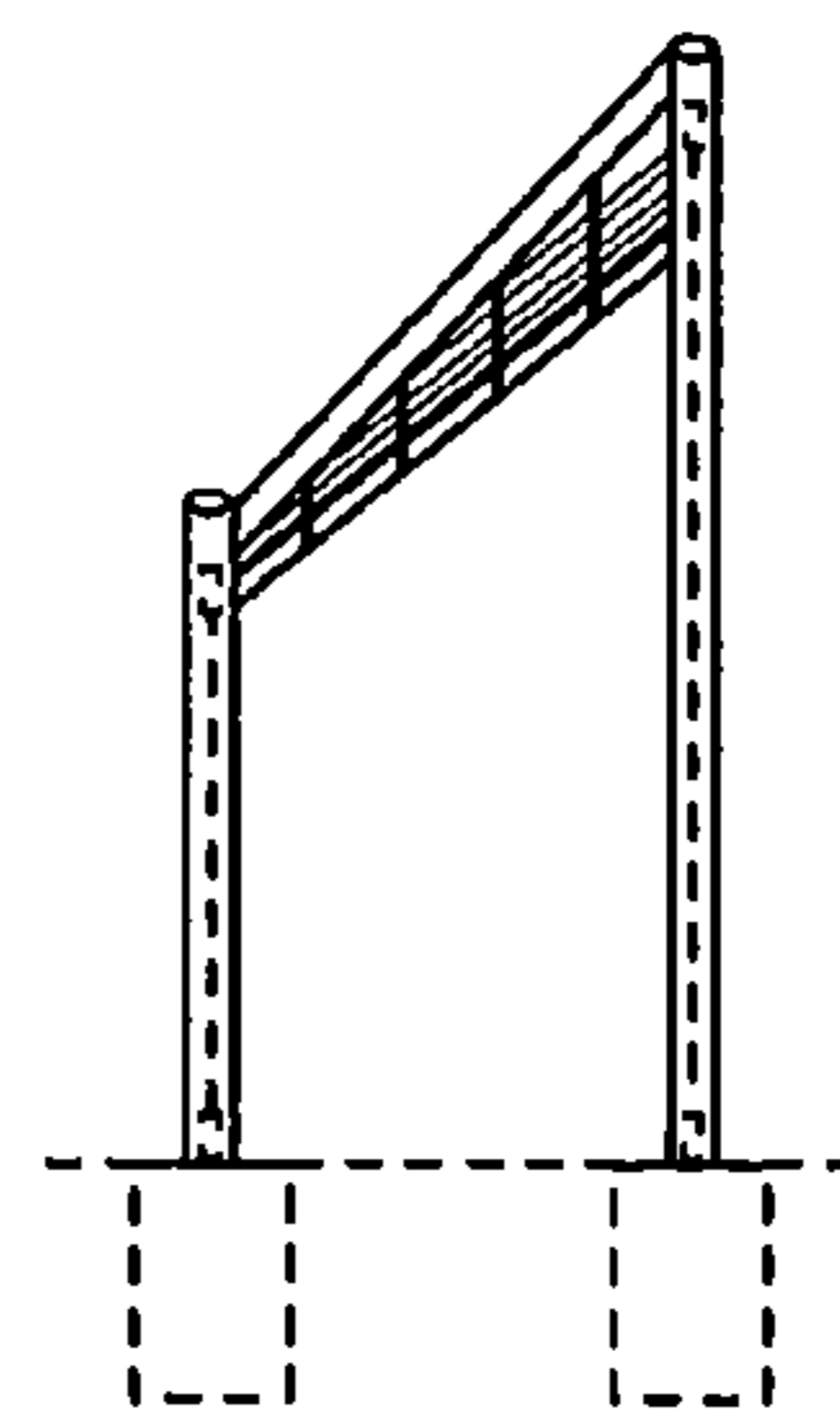


Fig. 6

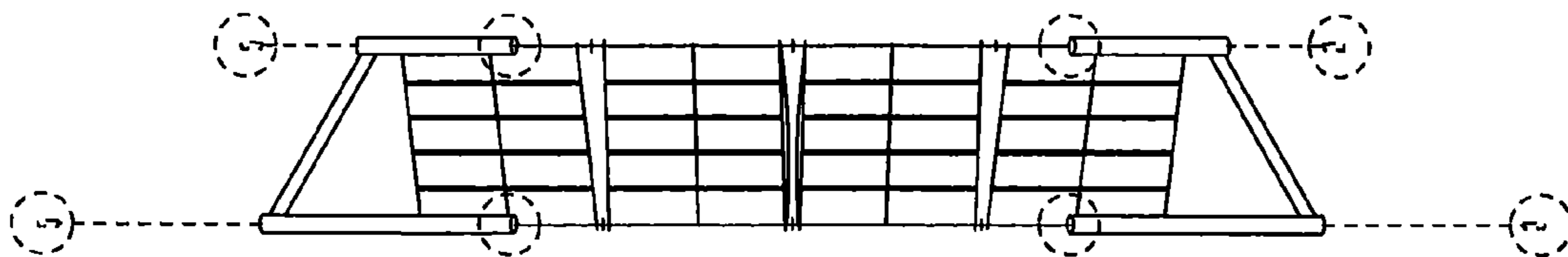


Fig. 7