



US00D605580S

(12) **United States Design Patent**
Williams

(10) **Patent No.:** **US D605,580 S**
(45) **Date of Patent:** **** Dec. 8, 2009**

(54) **TIRE TREAD**

D539,213 S 3/2007 Taylor et al.

(75) Inventor: **Ellen MacDonald Williams**, Greer, SC (US)

(73) Assignee: **Michelin Recherche et Techniques S.A.**, Granges-Paccot (CH)

(**) Term: **14 Years**

(21) Appl. No.: **29/305,847**

(22) Filed: **Mar. 28, 2008**

(51) **LOC (9) Cl.** **12-15**

(52) **U.S. Cl.** **D12/589**

(58) **Field of Classification Search** D12/568-603;
152/209.1, 209.8, 209.9, 209.12, 209.18,
152/209.25

See application file for complete search history.

(56) **References Cited**

U.S. PATENT DOCUMENTS

D293,664 S *	1/1988	Hayakawa et al.	D12/595
D301,855 S	6/1989	Ono		
D382,236 S	8/1997	Kakegawa et al.		
D384,606 S *	10/1997	McKisson	D12/595
D386,132 S *	11/1997	Villamizar et al.	D12/588
D402,942 S	12/1998	Custons, Jr. et al.		
D405,741 S *	2/1999	Weber et al.	D12/600
D479,188 S	9/2003	Hutz et al.		
D499,693 S	12/2004	Williams		
D531,112 S	10/2006	Williams		

OTHER PUBLICATIONS

Tread Design Guide, 2007, p. 14, Cooper Cobra Radial G/T.
Tread Design Guide, 2007, p. 37, Michelin Harmony.
Tread Design Guide, 2007, p. 52, Vanderbilt Grand Spirit Touring Sli.
Tread Design Guide, 2007, p. 61, Cooper Discoverer H/T.

* cited by examiner

Primary Examiner—Caron Veynar

Assistant Examiner—George D Kirschbaum

(74) *Attorney, Agent, or Firm*—Frank J. Campigotto; E. Martin Remick; Carolyn G. Uldrick

(57) **CLAIM**

The ornamental design for a tire tread, as shown and described.

DESCRIPTION

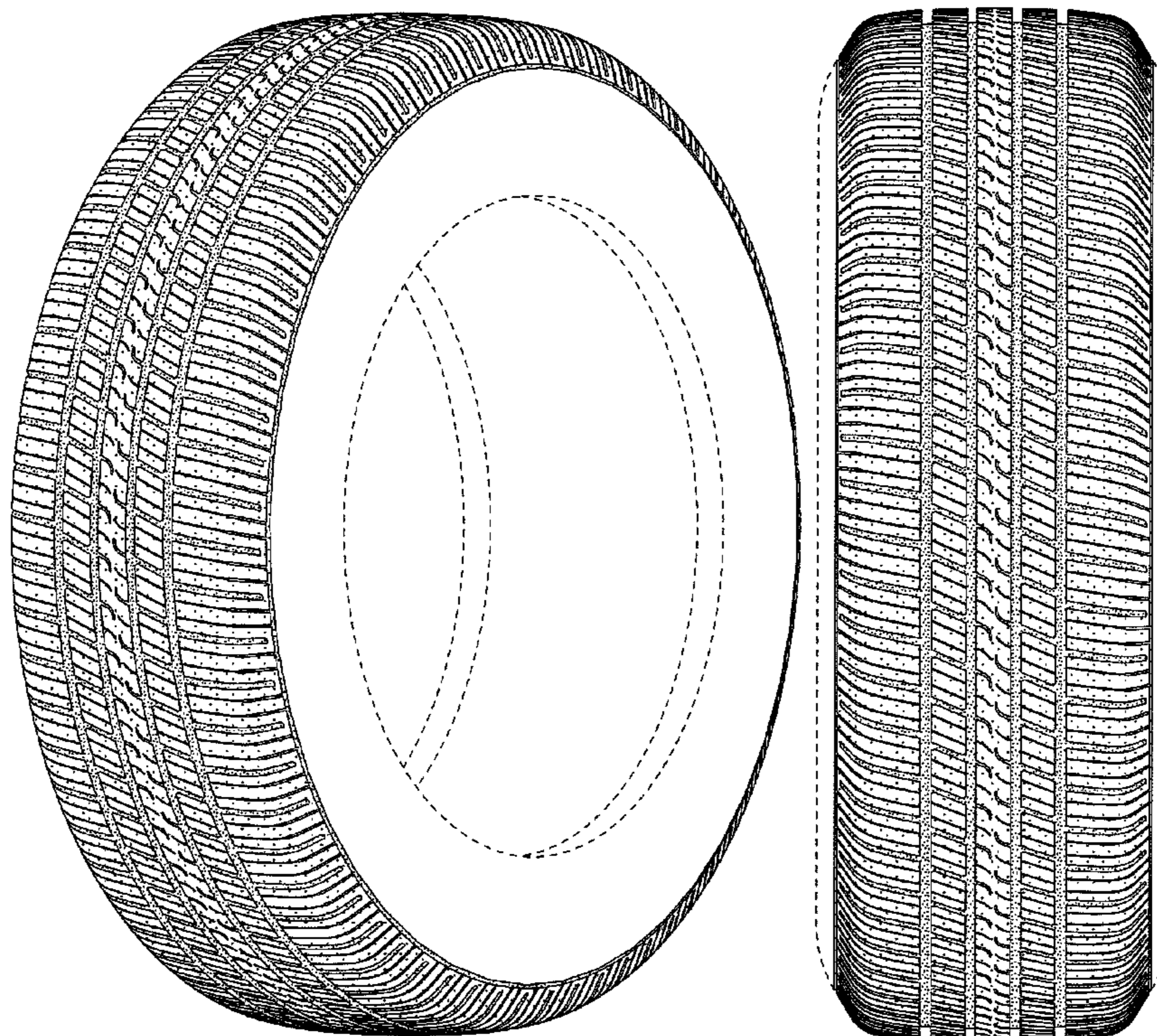
FIG. 1 is a perspective view of a tire tread showing my new design, it being understood that the tread pattern repeats circumferentially throughout the outer circumference and shoulder of a tire, the opposite side perspective view being identical thereto;

FIG. 2 is a full front elevation view of the tire tread of FIG. 1; and,

FIG. 3 is a side view of the tire tread of FIG. 1.

In the drawings, the broken lines defining the sidewall, inner bead and the peripheral boundary between the claimed tire tread and the unclaimed sidewall depict environmental subject matter that forms no part of the claimed design.

1 Claim, 3 Drawing Sheets



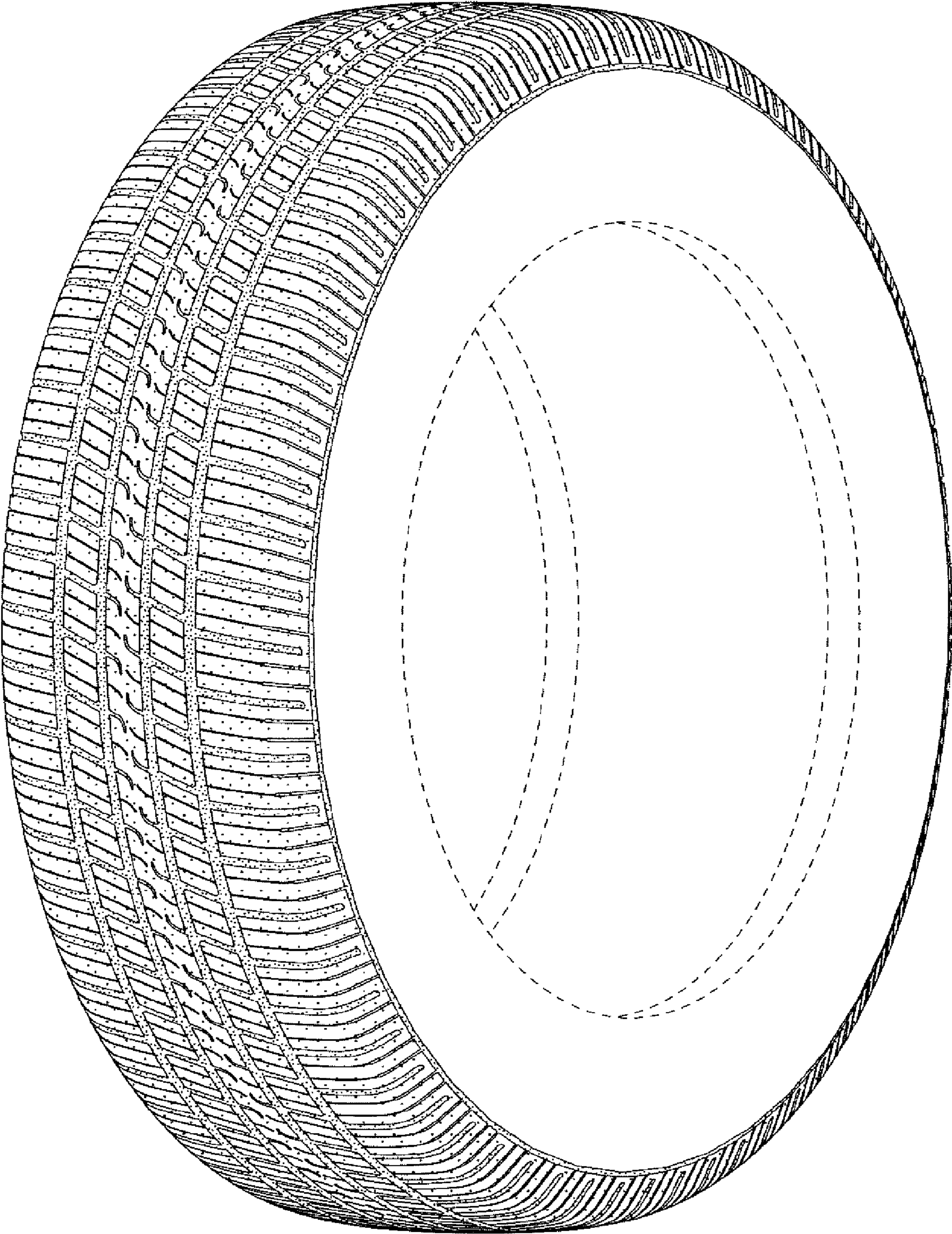


Fig. 1

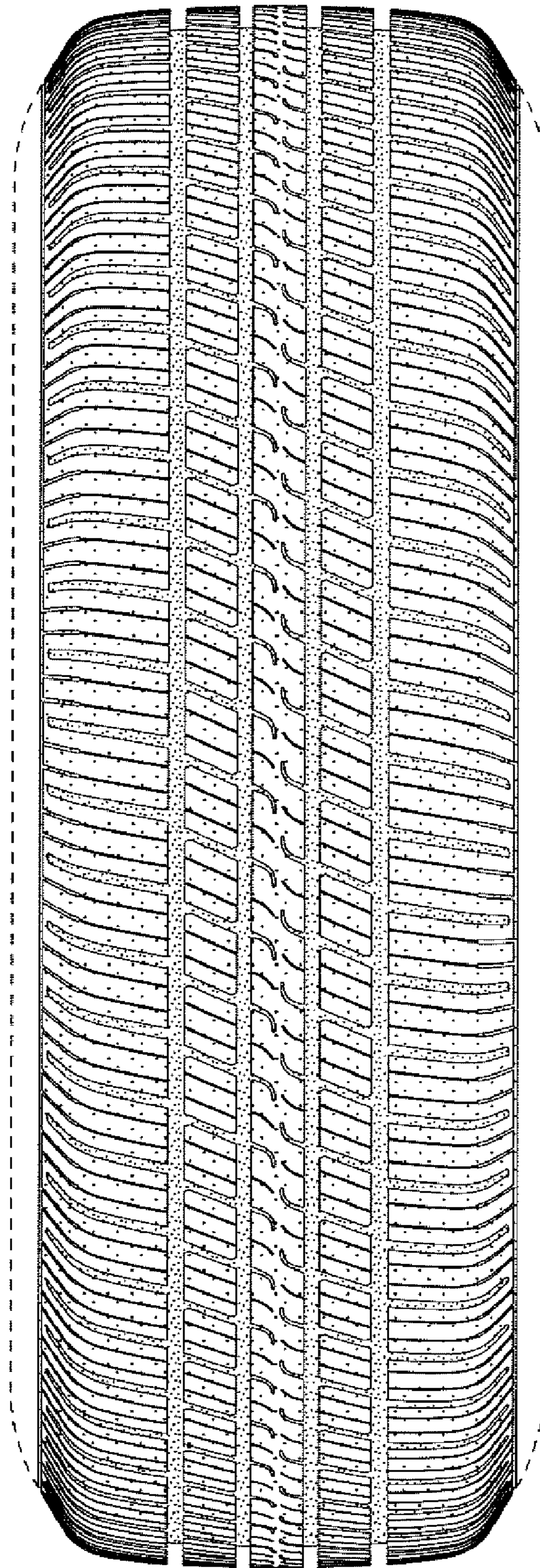


Fig. 2

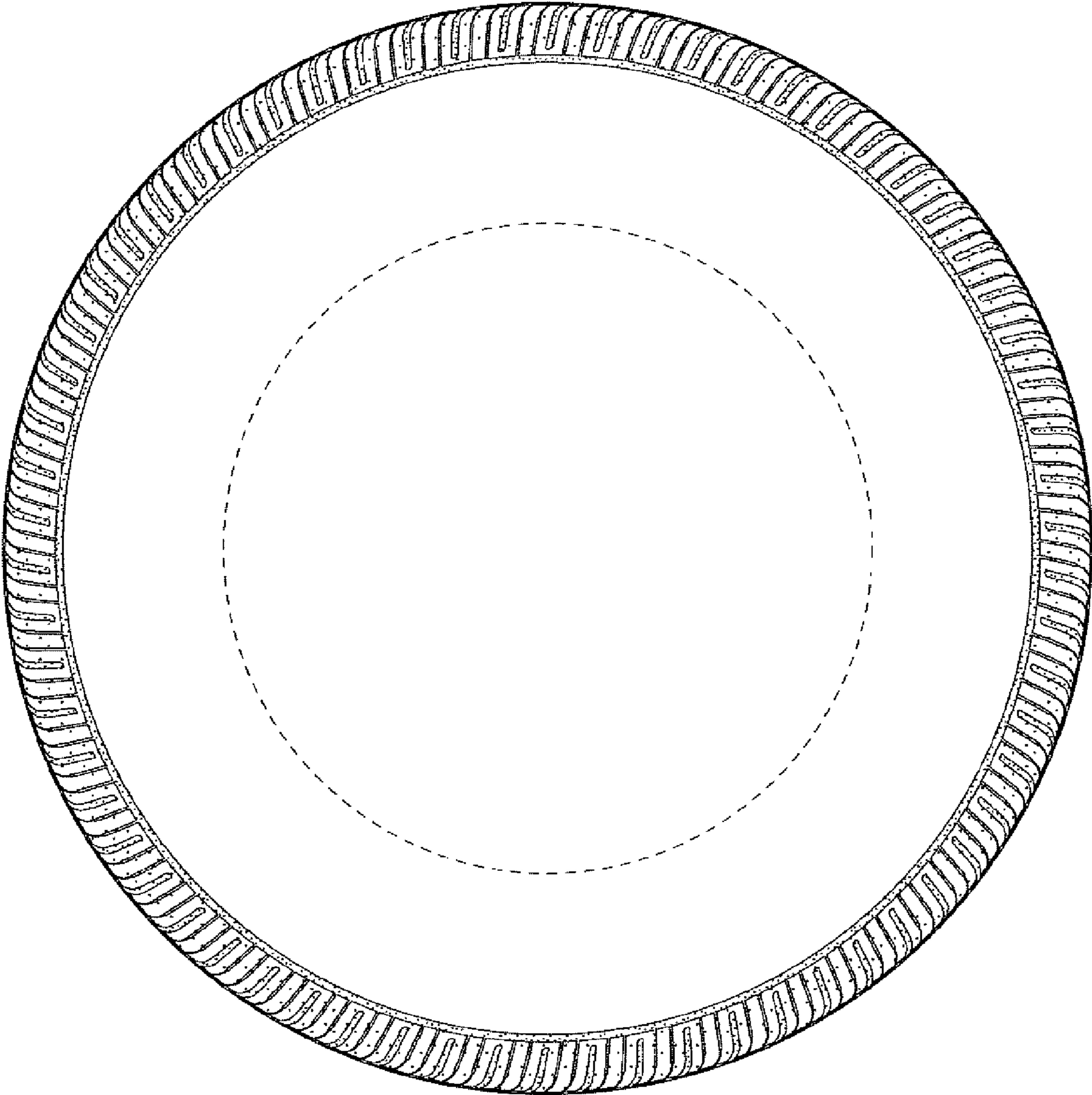


Fig. 3