



US00D605578S

(12) **United States Design Patent**
Retief

(10) **Patent No.:** **US D605,578 S**

(45) **Date of Patent:** **** Dec. 8, 2009**

(54) **BOTTLE CAGE**

D530,261 S * 10/2006 Irvine D12/411

(75) Inventor: **Darren Retief**, Vista, CA (US)

(73) Assignee: **Ravx Inc.**, Vista, CA (US)

(**) Term: **14 Years**

(21) Appl. No.: **29/314,507**

(22) Filed: **Apr. 6, 2009**

(51) **LOC (9) Cl.** **12-11**

(52) **U.S. Cl.** **D12/411**

(58) **Field of Classification Search** D12/406,
D12/407, 411, 491, 420, 111, 223; 248/311.2,
248/312, 312.1, 313, 316.1; 224/412-435,
224/42.11, 448, 450, 456, 461, 462, 441,
224/926; 211/75, 85.31, 85.18, 106; D6/462,
D6/566; D7/619.1, 620

See application file for complete search history.

(56) **References Cited**

U.S. PATENT DOCUMENTS

4,009,810 A * 3/1977 Shook 224/414
4,784,360 A * 11/1988 Mok 248/313
5,326,006 A * 7/1994 Giard, Jr. 224/414
5,425,484 A * 6/1995 Kawand et al. 224/414
5,704,525 A * 1/1998 Barro 224/414
5,810,228 A * 9/1998 Brokering 224/414
6,059,245 A * 5/2000 Hermansen et al. 248/311.2
6,543,660 B2 * 4/2003 Young et al. 224/414
6,854,629 B1 * 2/2005 Sartore 224/414
D529,859 S * 10/2006 Irvine D12/411

OTHER PUBLICATIONS

Bike Nashbar® 2000 Fall Catalog 151, bottle cages on p. 75.*

* cited by examiner

Primary Examiner—Cathron C Brooks

Assistant Examiner—Linda G. Brooks

(74) *Attorney, Agent, or Firm*—Charles E. Baxley

(57) **CLAIM**

The ornamental design for a bottle cage, as shown and described.

DESCRIPTION

FIG. 1 is an upper front and right side perspective view of a bottle cage showing my new design;

FIG. 2 is a front elevational view thereof;

FIG. 3 is a rear elevational view thereof;

FIG. 4 is a top plan view thereof;

FIG. 5 is a bottom plan view thereof;

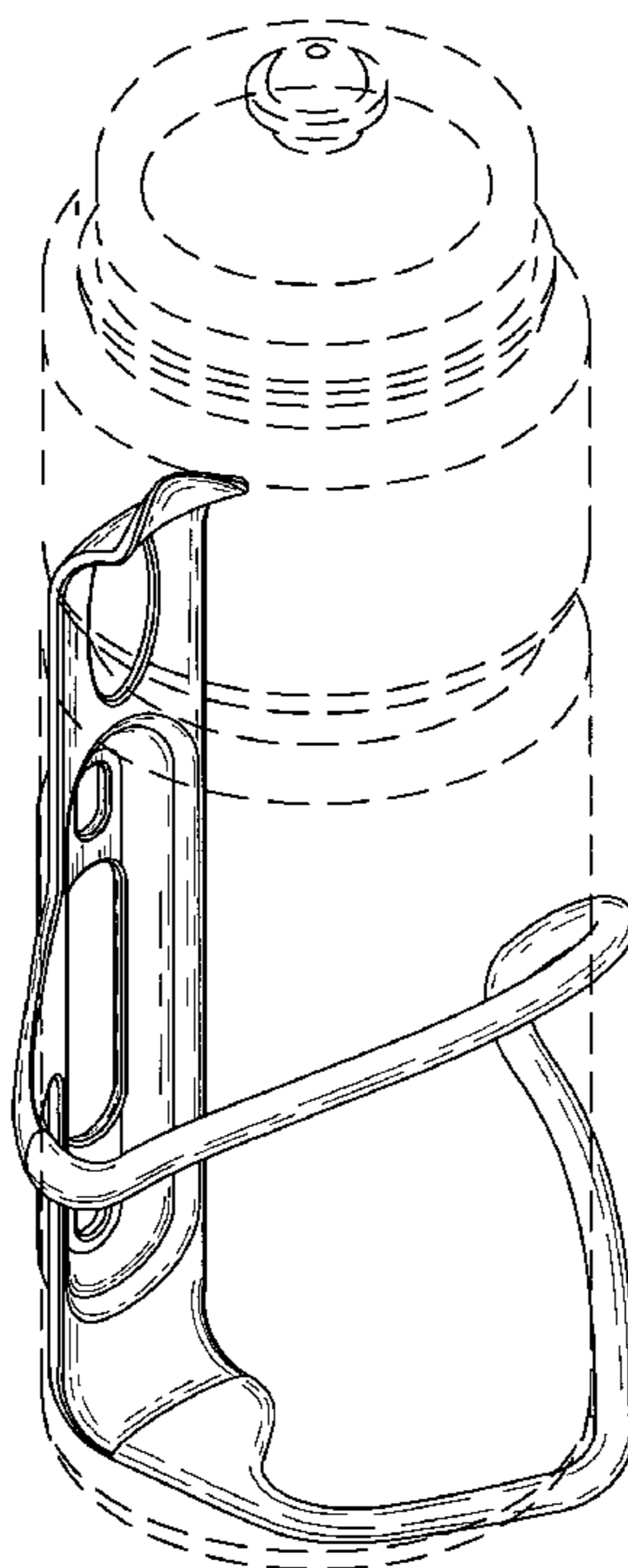
FIG. 6 is a left side elevational view thereof;

FIG. 7 is a right side elevational view thereof;

FIG. 8 is an upper front and left side perspective view thereof; and,

FIG. 9 is an upper front and right side perspective view thereof, the water bottle depicted by means of broken lines being for illustrative purposes only and forming no part of the claimed design.

1 Claim, 8 Drawing Sheets



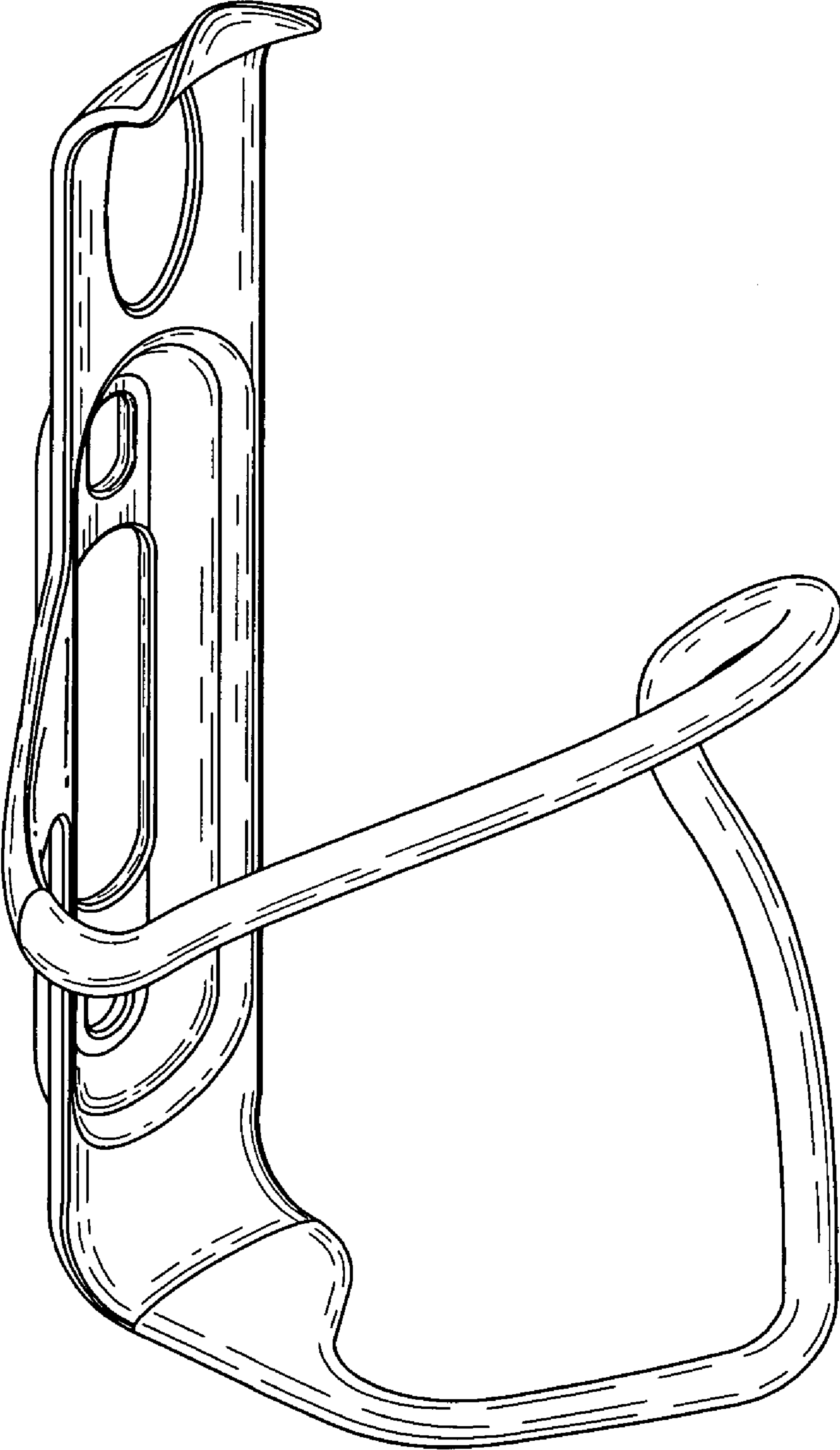


FIG. 1

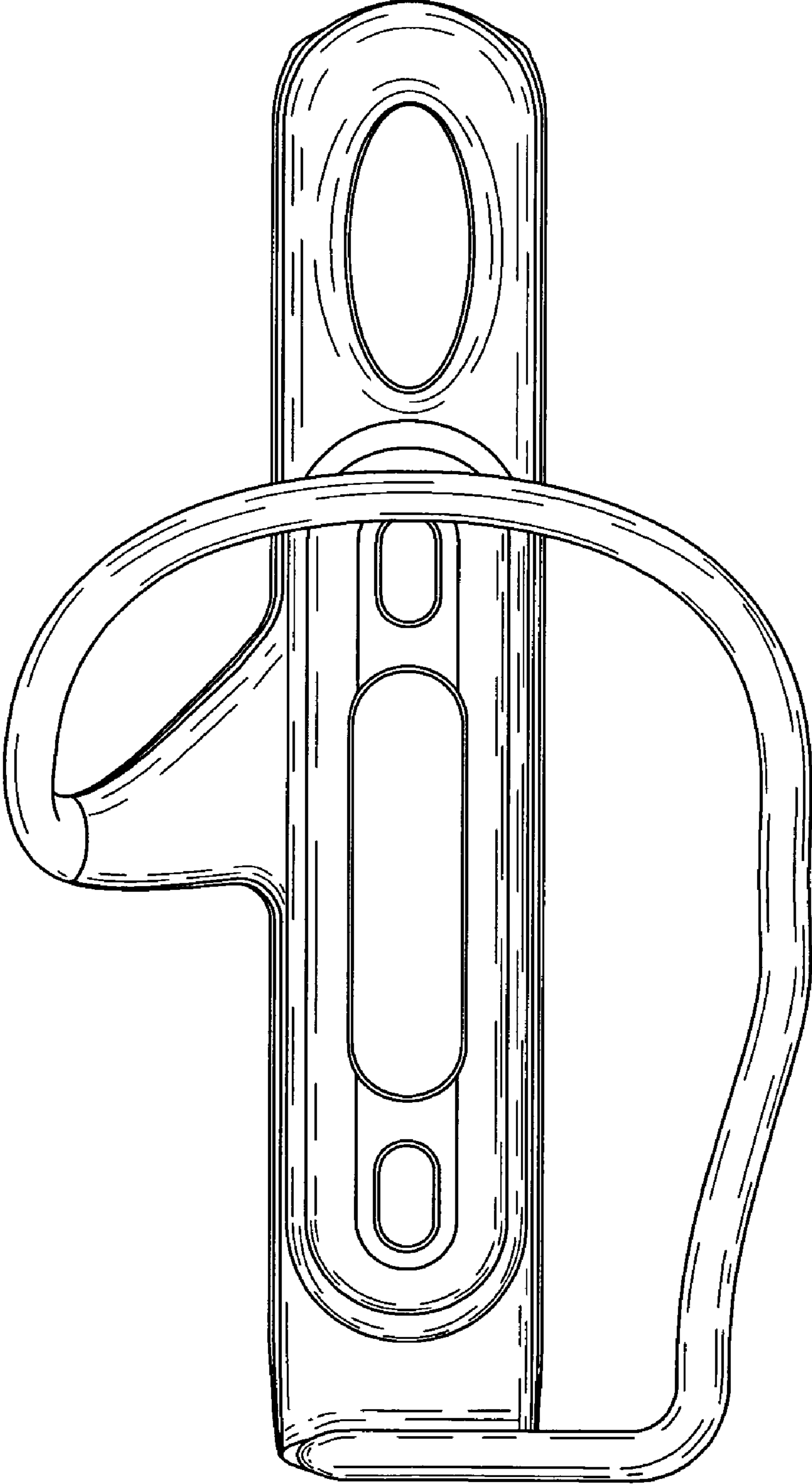


FIG. 2

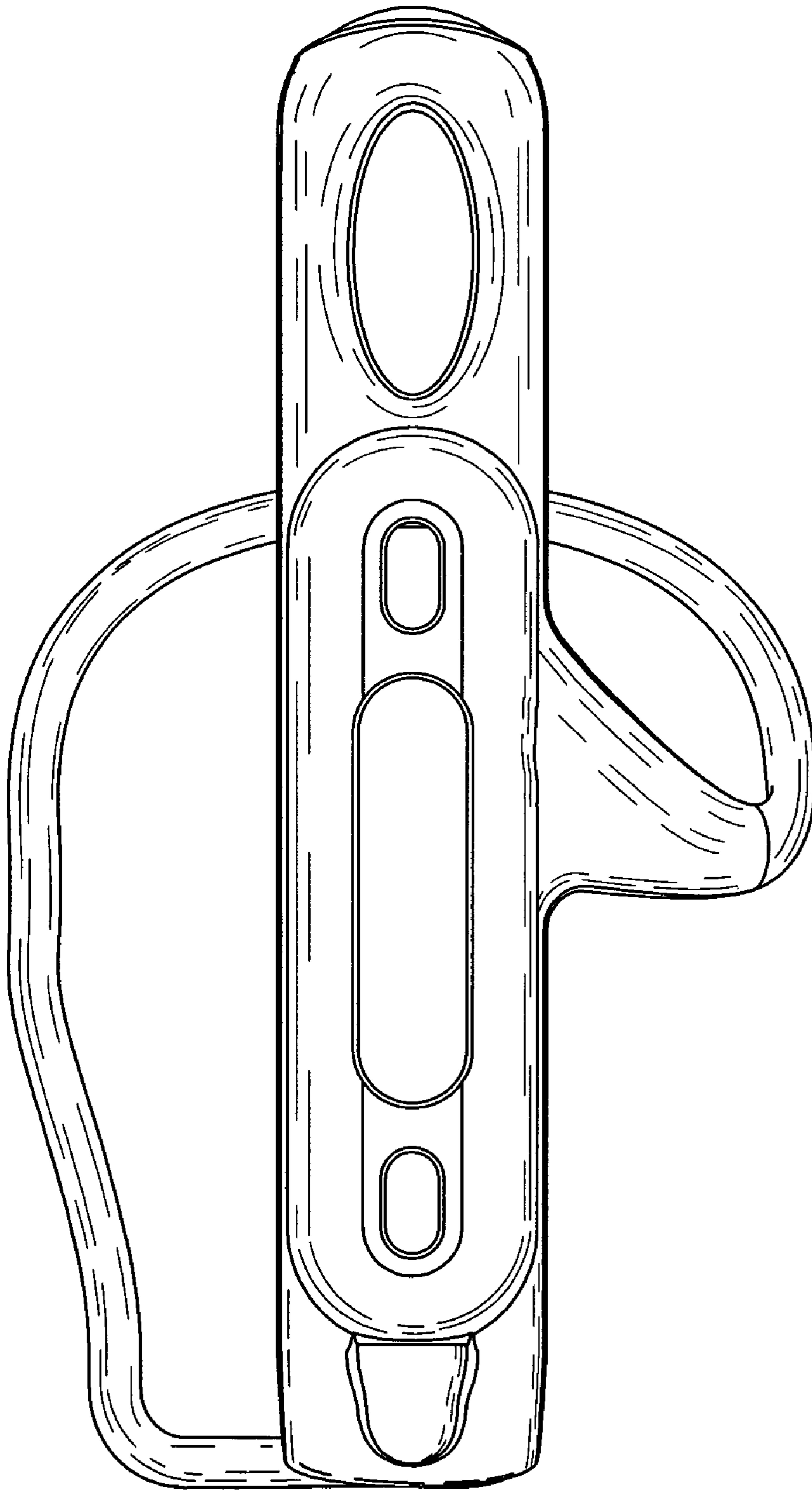


FIG. 3

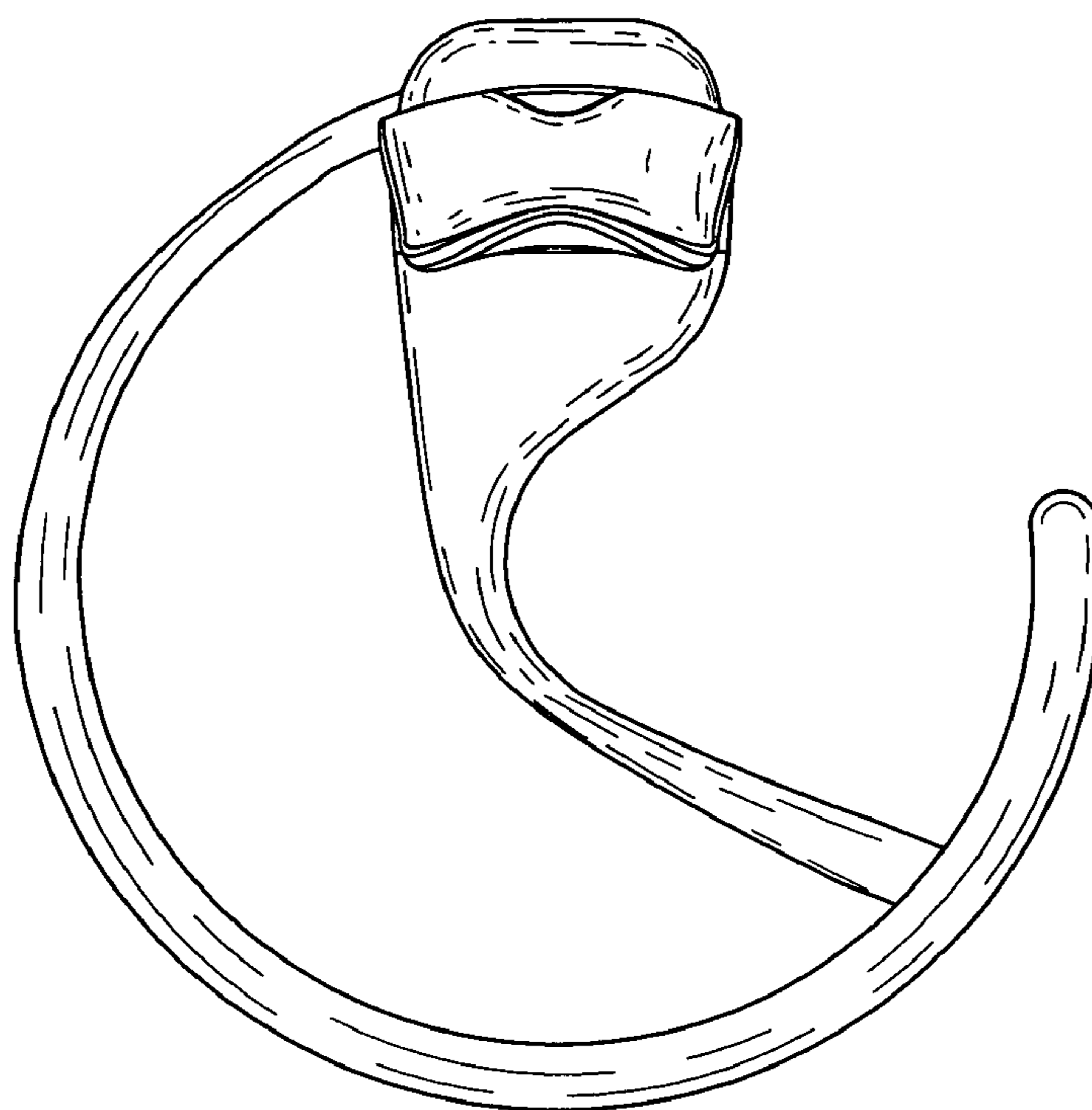


FIG. 4

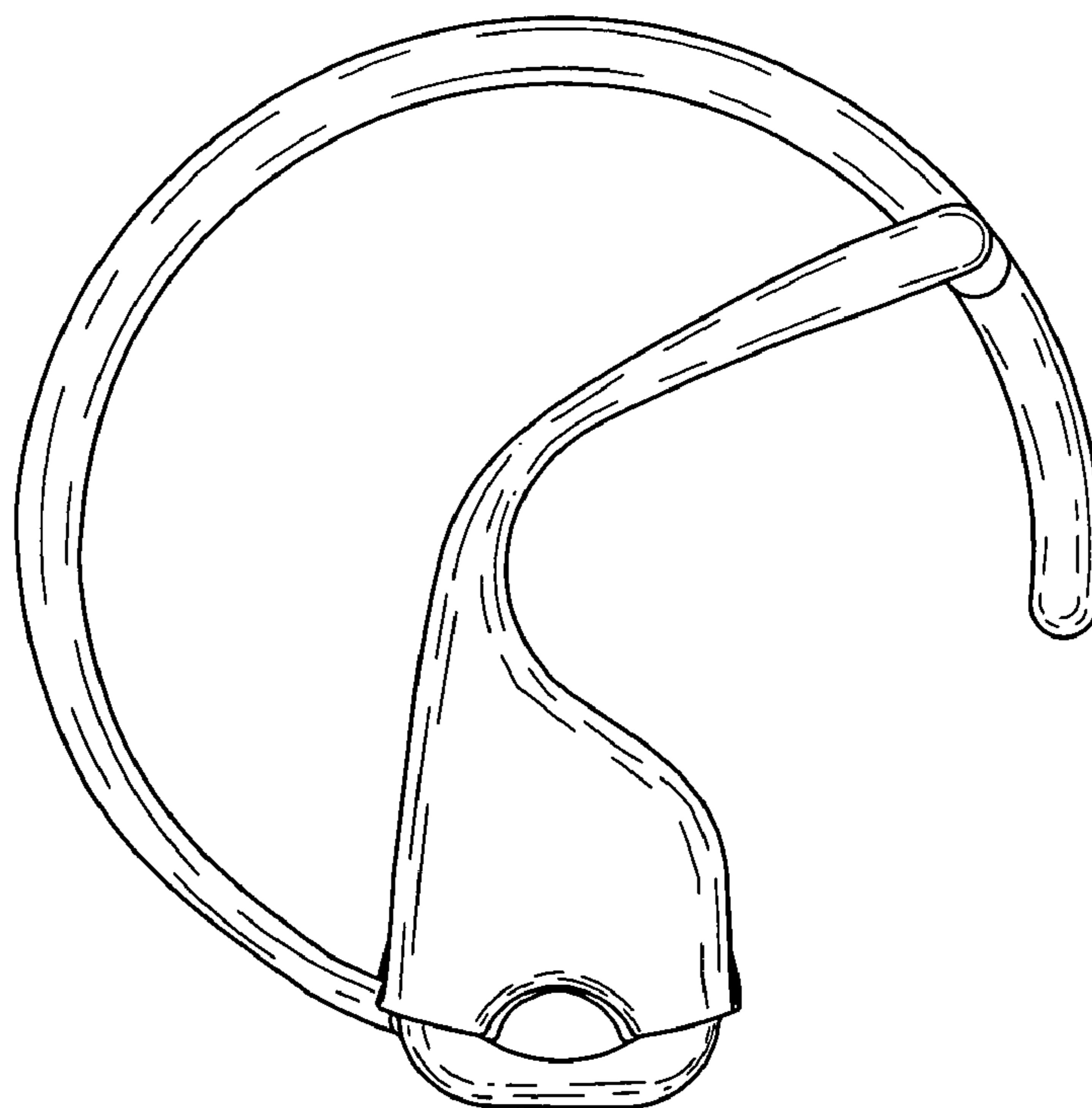


FIG. 5

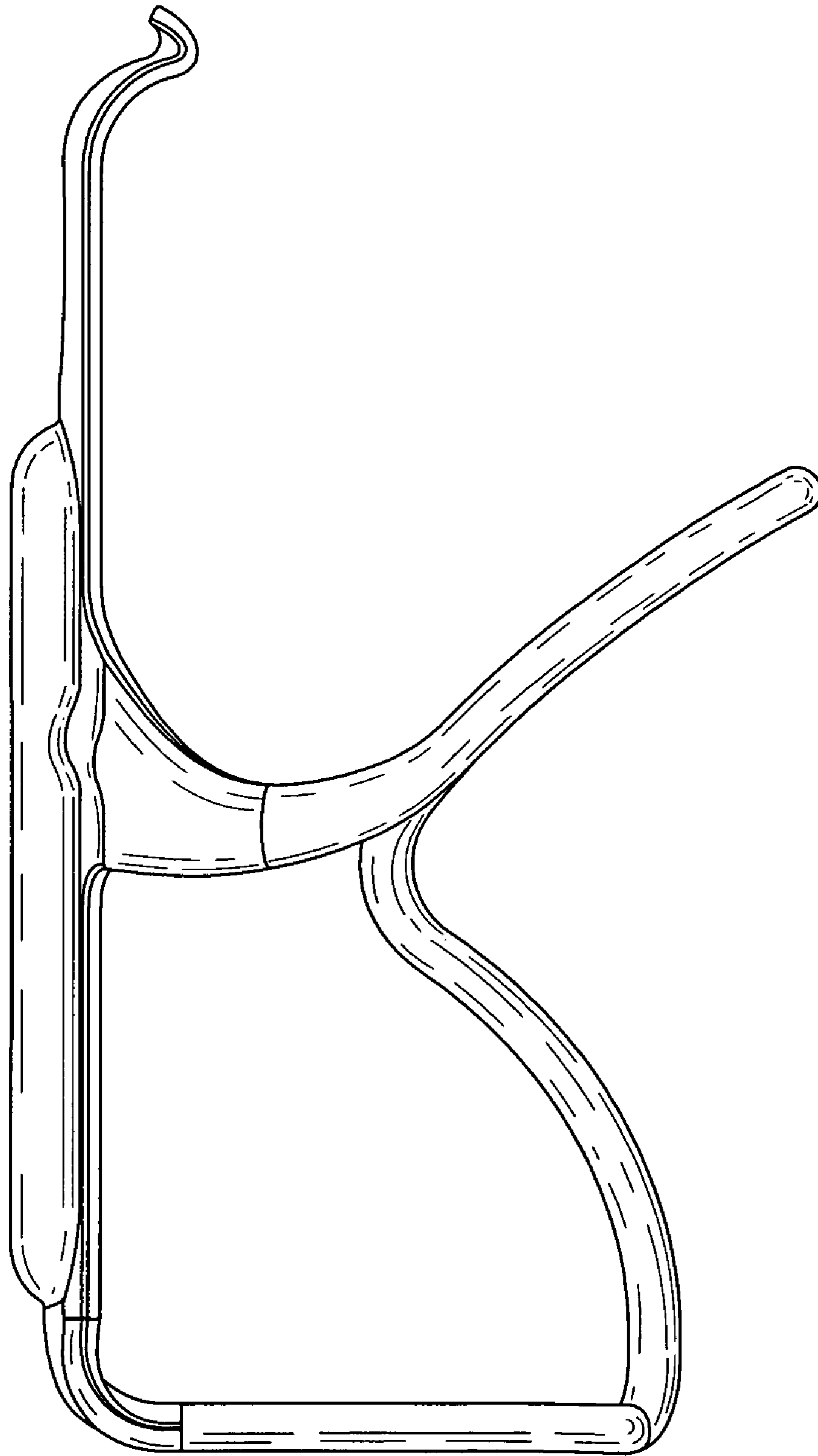


FIG. 6

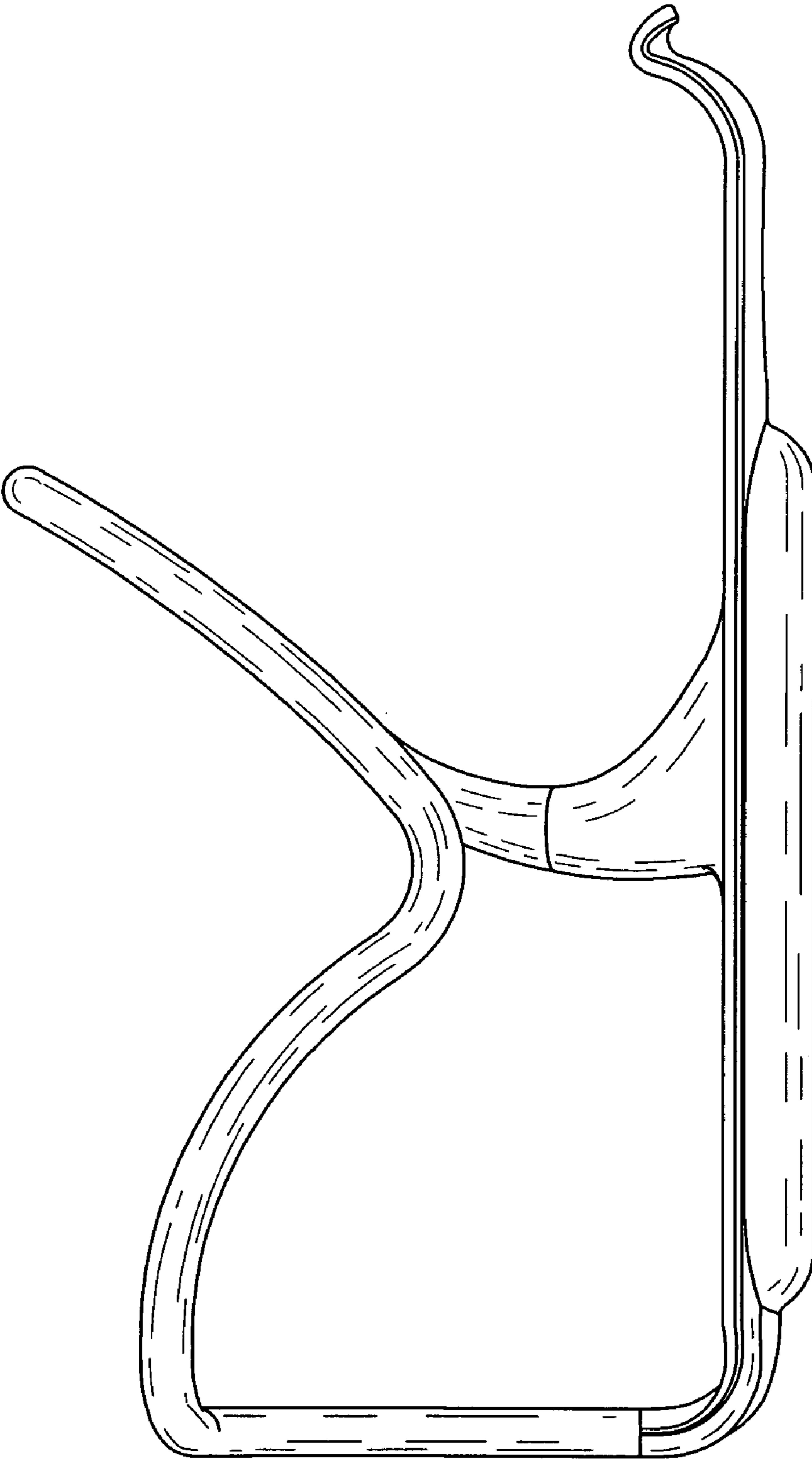


FIG. 7

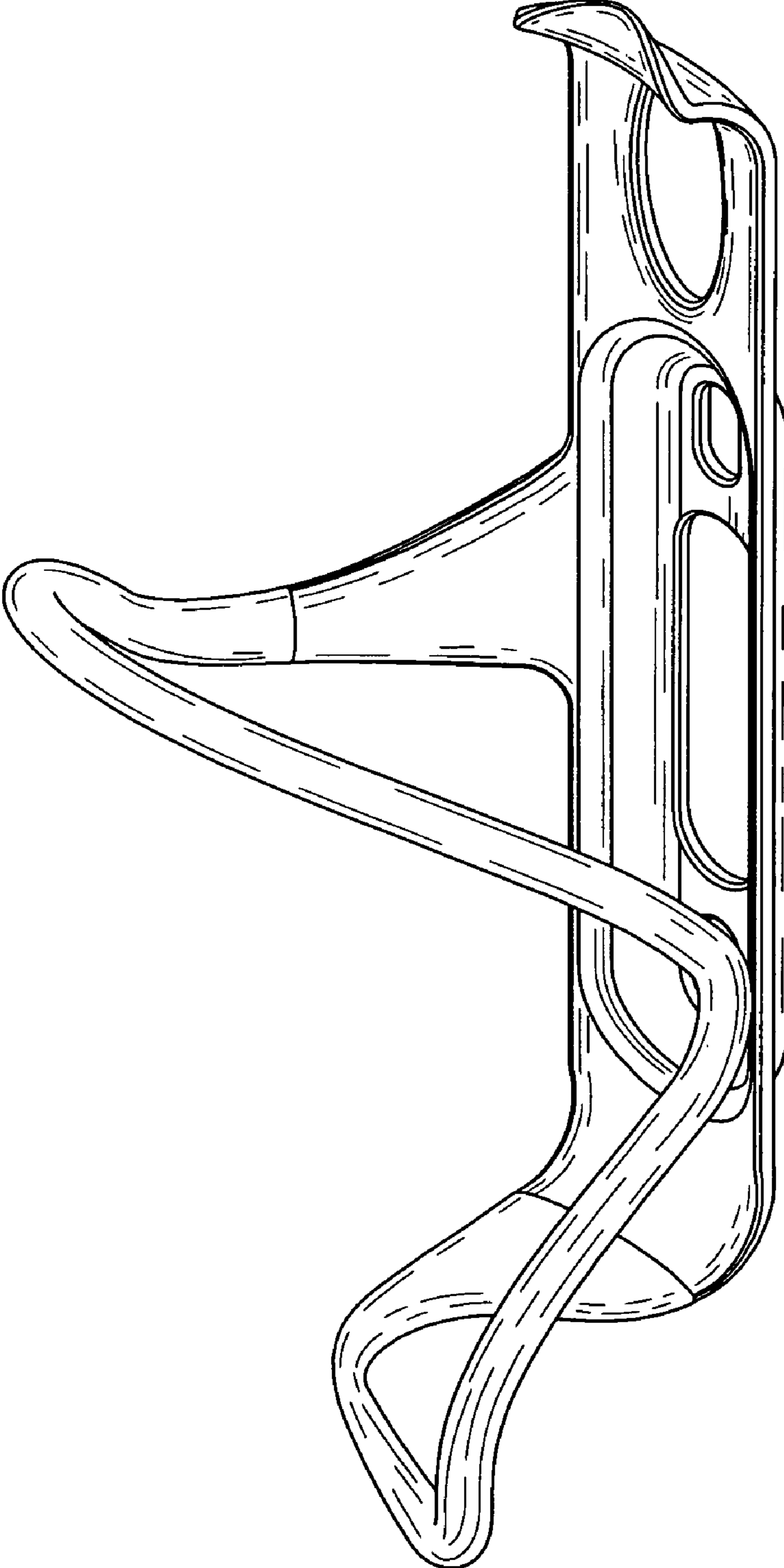


FIG. 8

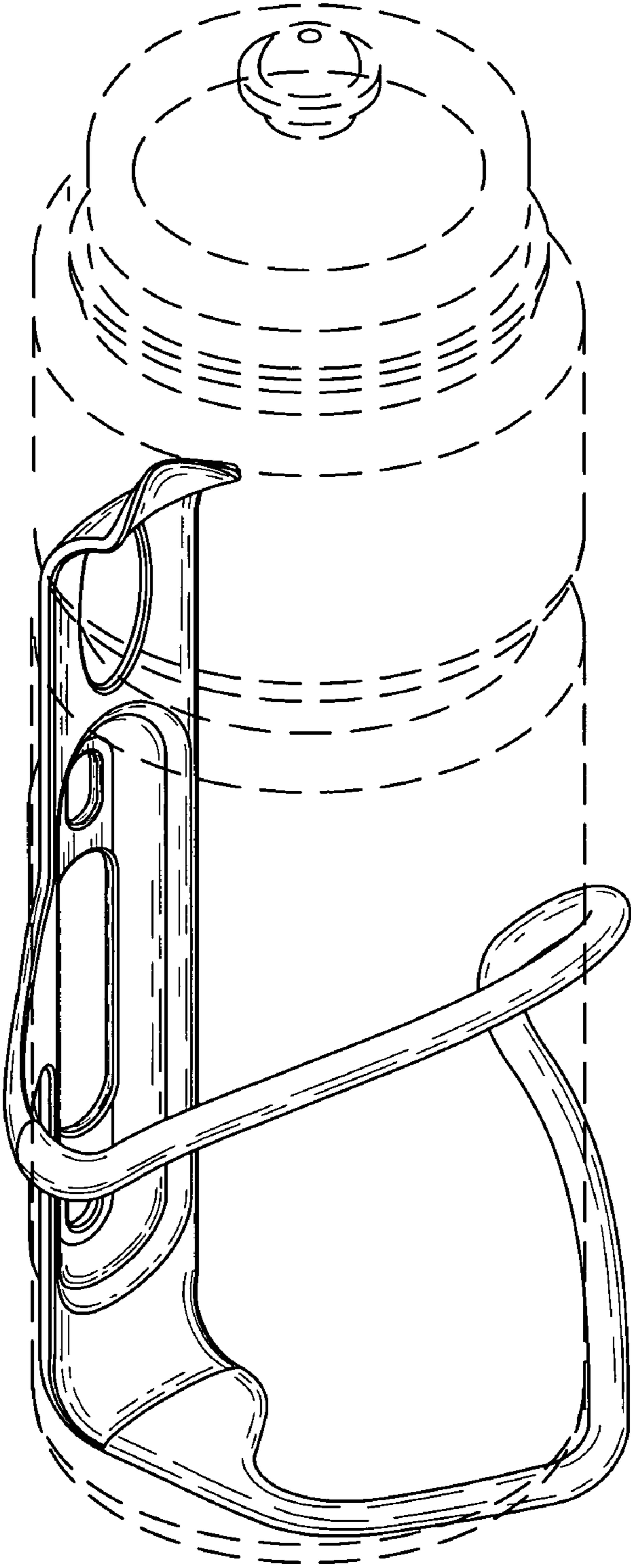


FIG. 9