

US00D605576S

(12) **United States Design Patent**
Posva

(10) **Patent No.:** **US D605,576 S**
(45) **Date of Patent:** **** Dec. 8, 2009**

(54) **AIRCRAFT**

(75) **Inventor:** **David Posva**, Stettbrunnenweg 80,
MuttENZ (CH) 4132

(73) **Assignee:** **David Posva**, MuttENZ (CH)

(**) **Term:** **14 Years**

(21) **Appl. No.:** **29/304,055**

(22) **Filed:** **Feb. 24, 2008**

(30) **Foreign Application Priority Data**

Aug. 31, 2007 (CH) 134345

(51) **LOC (9) Cl.** **12-07**

(52) **U.S. Cl.** **D12/343**

(58) **Field of Classification Search** D12/319,
D12/343, 345, 333; 244/45 R, 45 A, 13,
244/15, 215, 198, 211

See application file for complete search history.

(56) **References Cited**

U.S. PATENT DOCUMENTS

D271,683 S * 12/1983 Clifton D12/326

D471,853 S * 3/2003 Lucchesini D12/319

D493,411 S * 7/2004 Fong D12/319

* cited by examiner

Primary Examiner—Lisa P Lichtenstein

(57) **CLAIM**

The ornamental design for an aircraft, as shown and described.

DESCRIPTION

The claimed aircraft is used for fast forward flight, for slow flight and short landing. If sufficiently light in weight and sufficiently motorized, the aircraft can be used for short take off, hovering flight, vertical take off and vertical landing.

FIG. 1 is a perspective side elevational view of an aircraft showing my new design, with open wing openings and the impellers tilted downward;

FIG. 2 a perspective side elevational view thereof, with open wings and impellers tilted to an intermediate position;

FIG. 3 a perspective side elevational view thereof, with closed wings and impellers tilted to horizontal;

FIG. 4 is a top plan view thereof, with open wings, permitting a good view of the rotors in the wing openings;

FIG. 5 is a top plan view thereof, with almost closed wings;

FIG. 6 is a nonperspective front view thereof, showing the lamellas, on the lower surface of the wings, all open on the left side and in a more closed (deflecting) position on the right side; and,

FIG. 7 is a perspective front slightly underneath view thereof, permitting a better view of the shape and positions of the all open lamellas.

Showing the aircraft with closable openings, containing rotors, in the wings and tiltable impellers in the back.

1 Claim, 7 Drawing Sheets

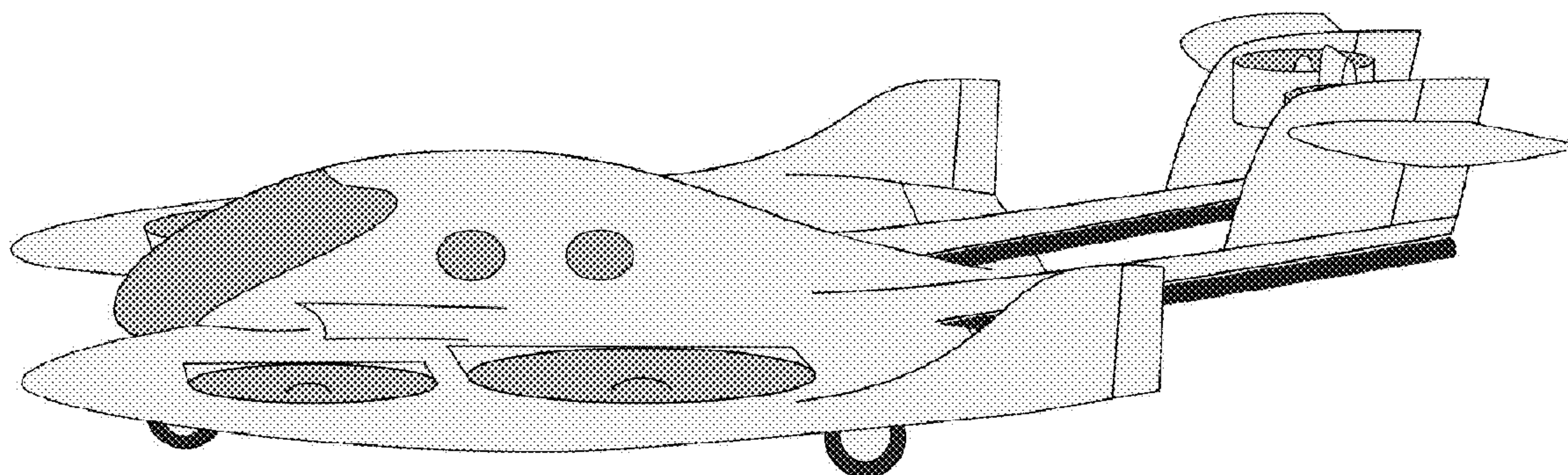


Fig. 1

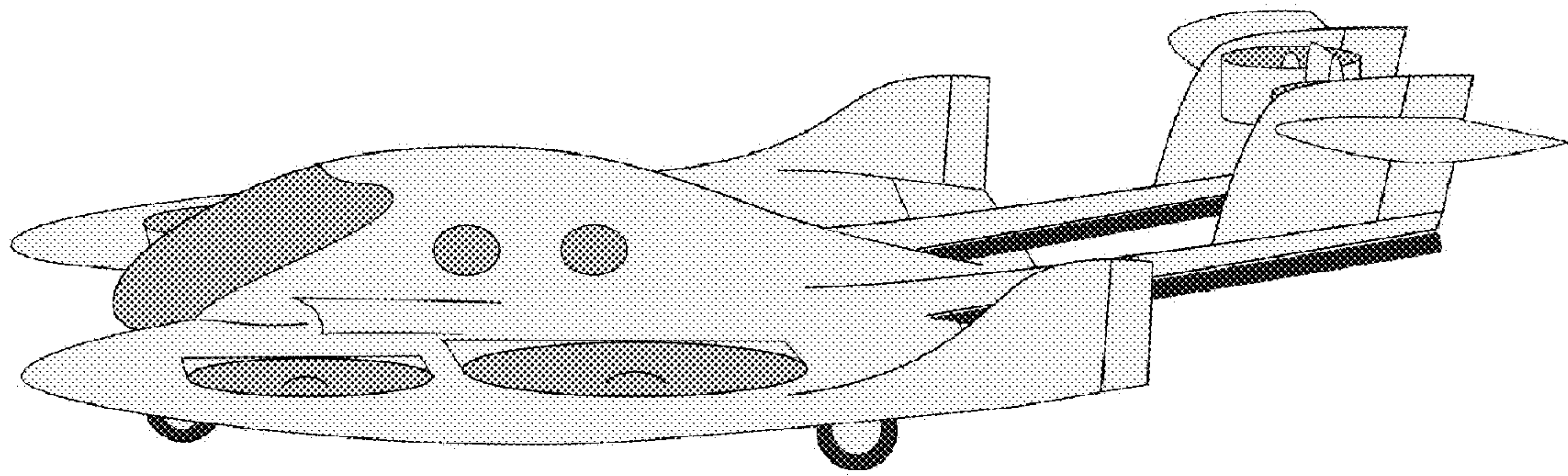


Fig. 2

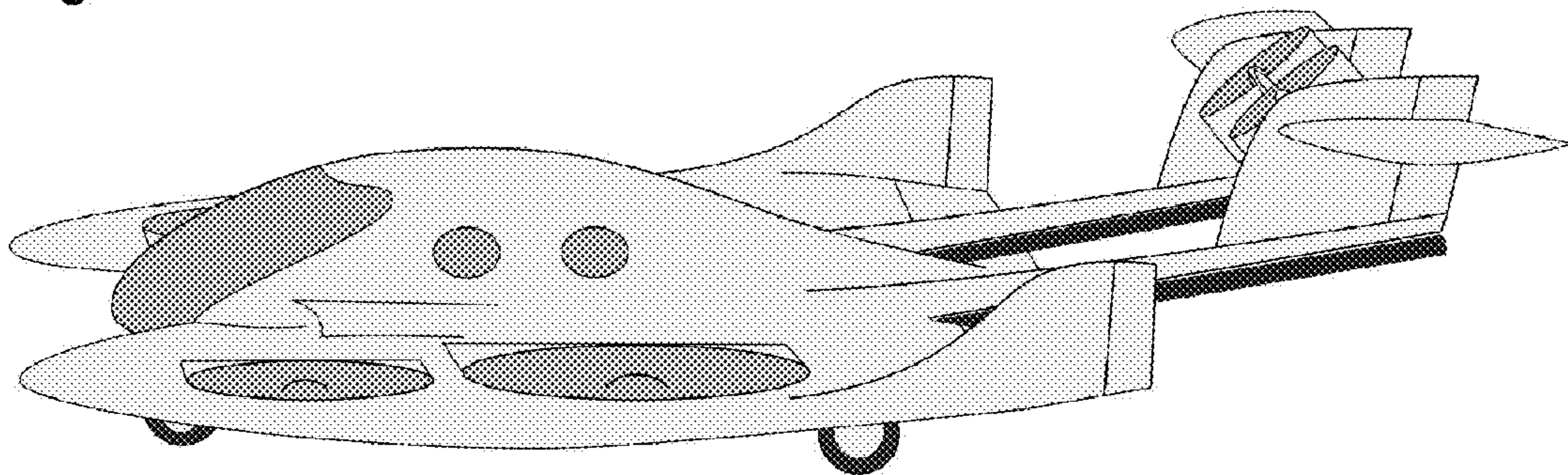


Fig. 3

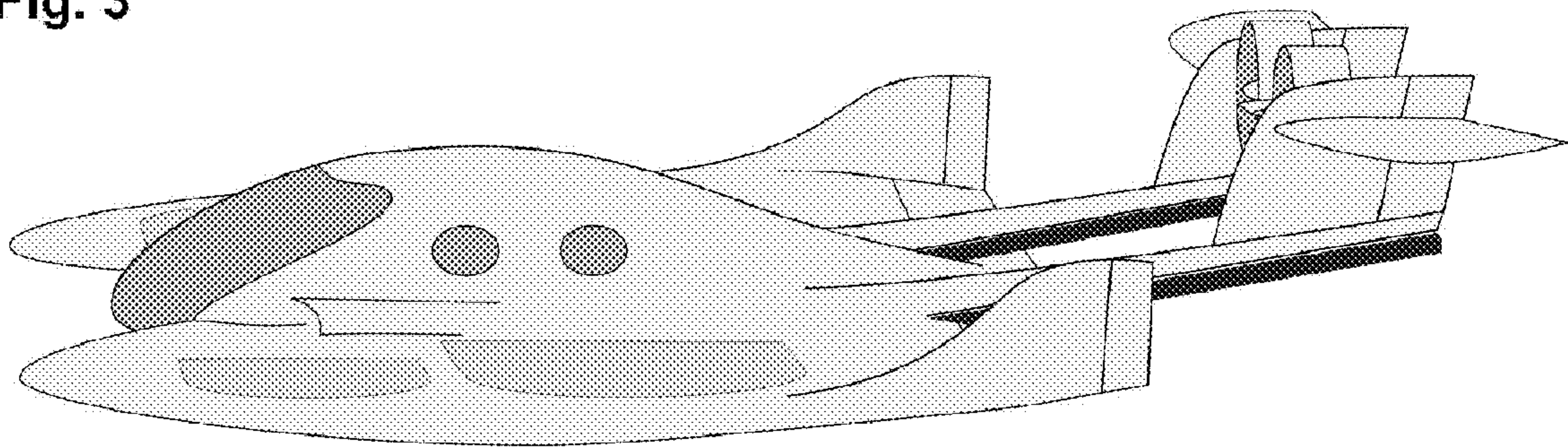


Fig. 4

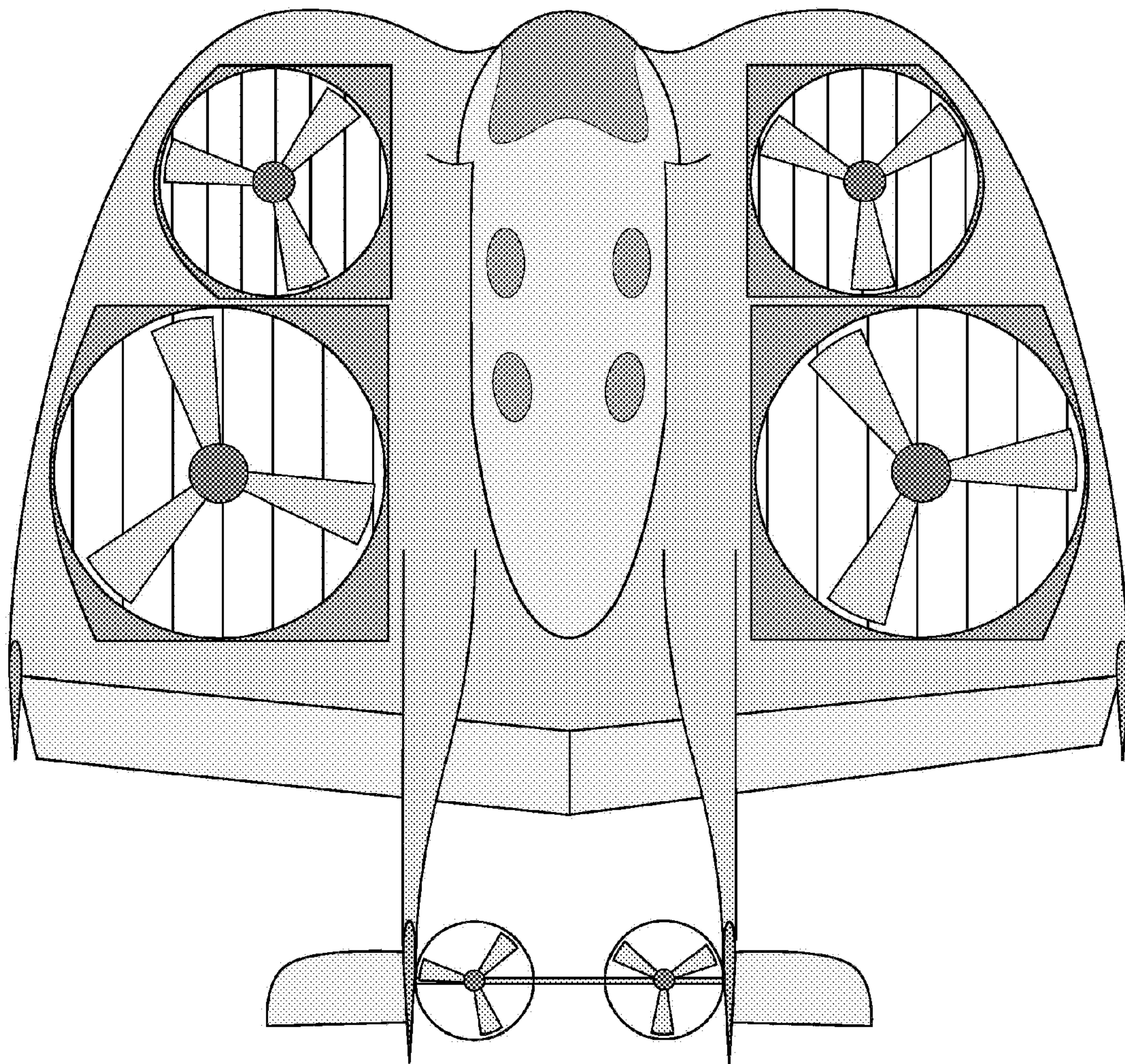


Fig. 5

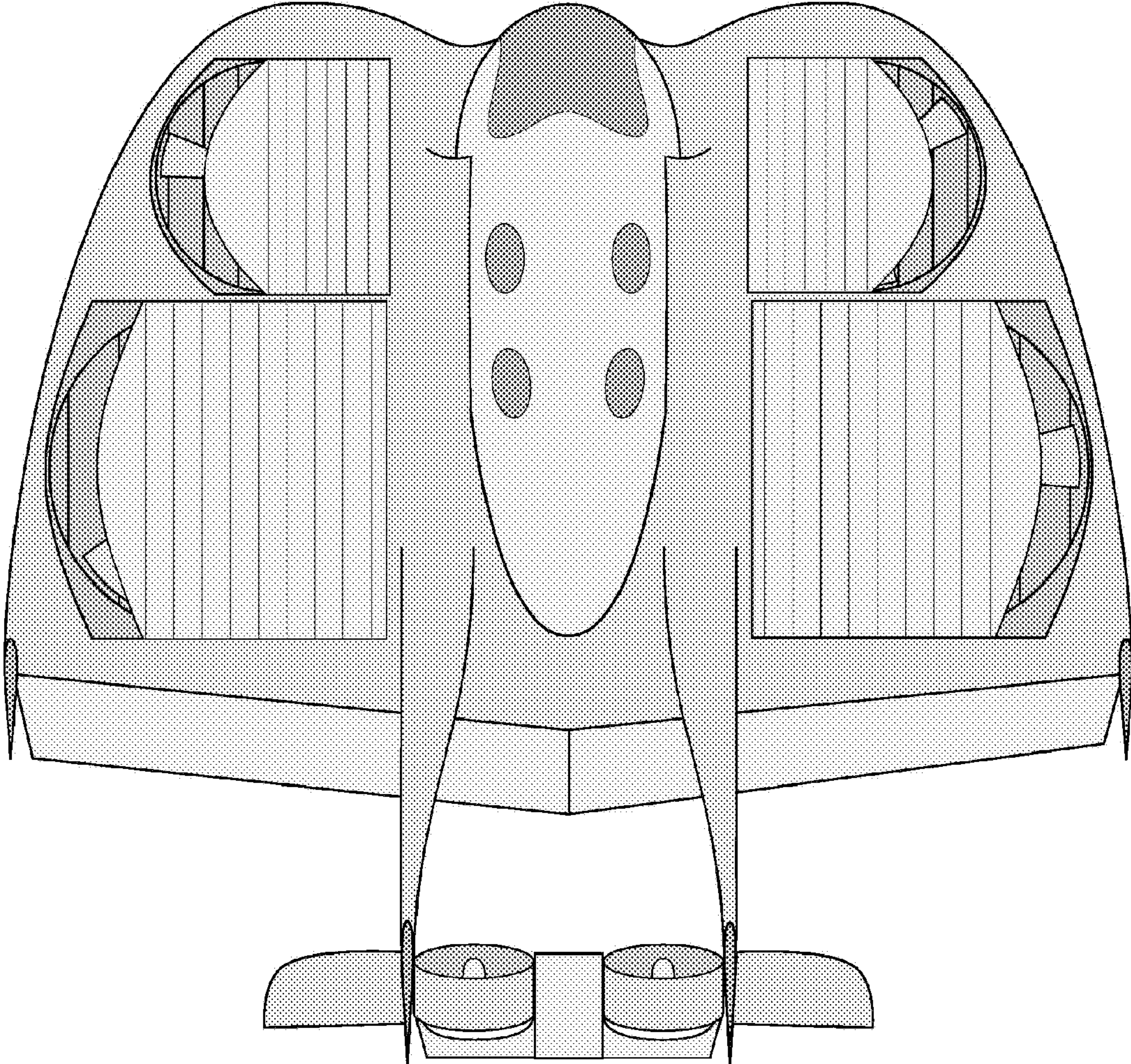


Fig. 6

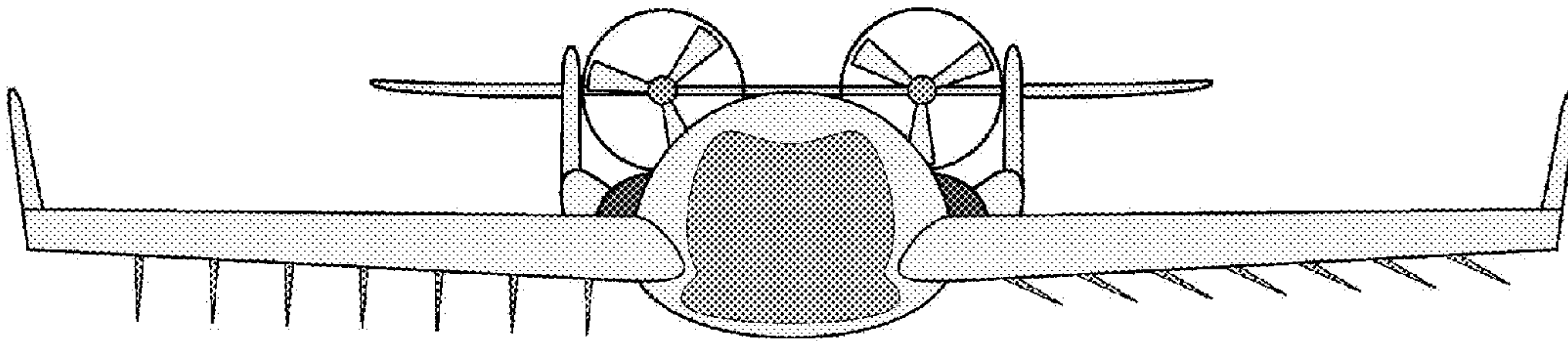


Fig. 7

