



US00D605575S

(12) **United States Design Patent**
Oswell et al.

(10) **Patent No.:** **US D605,575 S**
(45) **Date of Patent:** **** Dec. 8, 2009**

(54) **WATER SPORTS TOWING TOWER**

(75) Inventors: **Robert Oswell**, Acheson (CA); **Richard Behnke**, Acheson (CA); **George Michael Cant**, Sydney (AU)

(73) Assignee: **Correct Craft IP Holdings, LLC**, Orlando, FL (US)

(**) Term: **14 Years**

(21) Appl. No.: **29/323,857**

(22) Filed: **Sep. 2, 2008**

(51) **LOC (9) Cl.** **12-06**

(52) **U.S. Cl.** **D12/317**

(58) **Field of Classification Search** D12/300, D12/301, 310-314, 317, 318, 114; 114/247, 114/249, 250, 253, 254, 343, 361, 364
See application file for complete search history.

(56) **References Cited**

U.S. PATENT DOCUMENTS

3,925,836	A	12/1975	Simmonds	
5,669,325	A *	9/1997	Feikema	114/343
D409,972	S *	5/1999	Todd	D12/318
D442,910	S	5/2001	Metcalf	
RE37,823	E *	9/2002	Larson et al.	114/253
D465,194	S	11/2002	Eck	
D468,254	S	1/2003	Eck	
6,575,112	B2	6/2003	Roeseler et al.	
D479,500	S *	9/2003	Mattarocci	D12/317
D482,649	S	11/2003	Eck	
6,672,238	B2	1/2004	Sheikholeslam et al.	
D486,441	S	2/2004	Metcalf	
D486,774	S *	2/2004	Eck	D12/317
D489,314	S	5/2004	Metcalf	
6,792,888	B1	9/2004	Metcalf	
6,865,999	B2	3/2005	Bierbower, Jr.	
6,910,437	B2	6/2005	O'Reilly et al.	
6,925,957	B2	8/2005	Schultz	
6,945,188	B2	9/2005	Eck et al.	
D510,902	S	10/2005	Erskine et al.	
6,986,321	B2	1/2006	Metcalf	

6,997,131	B2	2/2006	Jackson et al.	
7,017,509	B2	3/2006	Schultz	
D519,910	S	5/2006	Bierbower, Jr.	
D534,855	S	1/2007	Metcalf	
7,216,604	B2	5/2007	Finney et al.	
7,219,617	B2	5/2007	Metcalf	
D551,154	S *	9/2007	Metcalf	D12/317
D555,545	S *	11/2007	Peek	D12/114
D568,804	S *	5/2008	Zsido	D12/317
2001/0006037	A1	7/2001	Badley	
2004/0129196	A1	7/2004	Jesewitz	
2004/0187764	A1	9/2004	Eck et al.	
2006/0037527	A1	2/2006	Aff	
2006/0180072	A1 *	8/2006	Metcalf	114/364
2007/0034134	A1	2/2007	Carlton	
2007/0079746	A1 *	4/2007	Finney et al.	114/364

* cited by examiner

Primary Examiner—Holly H Baynham

Assistant Examiner—Cynthia M Chin

(74) *Attorney, Agent, or Firm*—Allen, Syer, Doppelt, Milbrath & Gilchrist, P.A.

(57) **CLAIM**

The ornamental design for a water sports towing tower, as shown and described.

DESCRIPTION

FIG. 1 is a front right perspective view of a water sports towing tower showing our new design:

FIG. 2 is a front elevation view thereof;

FIG. 3 is a left side view thereof;

FIG. 4 is a right side view thereof;

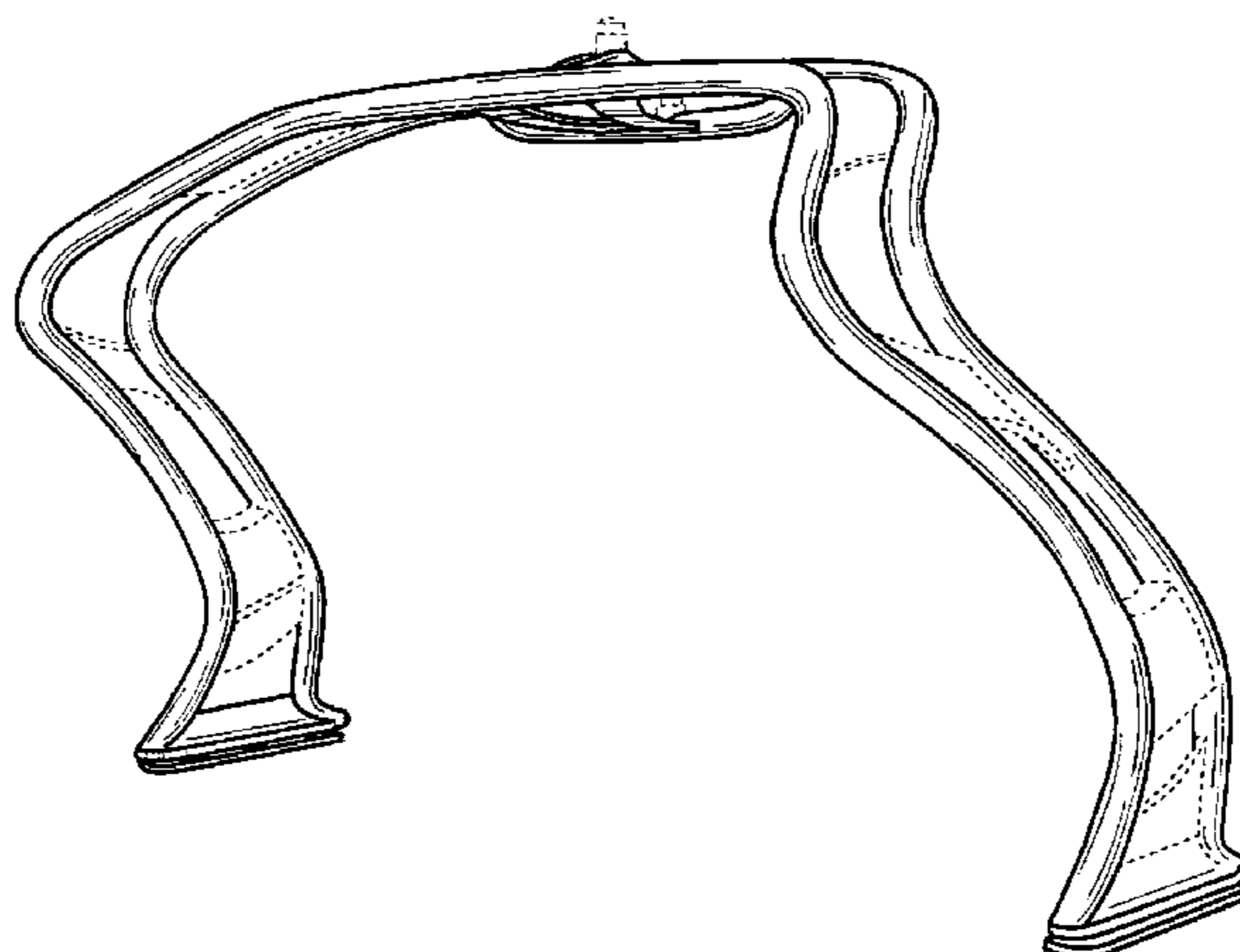
FIG. 5 is a rear view thereof;

FIG. 6 is a top view thereof; and,

FIG. 7 is a bottom view thereof.

The broken lines showing in the attached drawings are for illustrative purposes only and form no part of the claimed design.

1 Claim, 3 Drawing Sheets



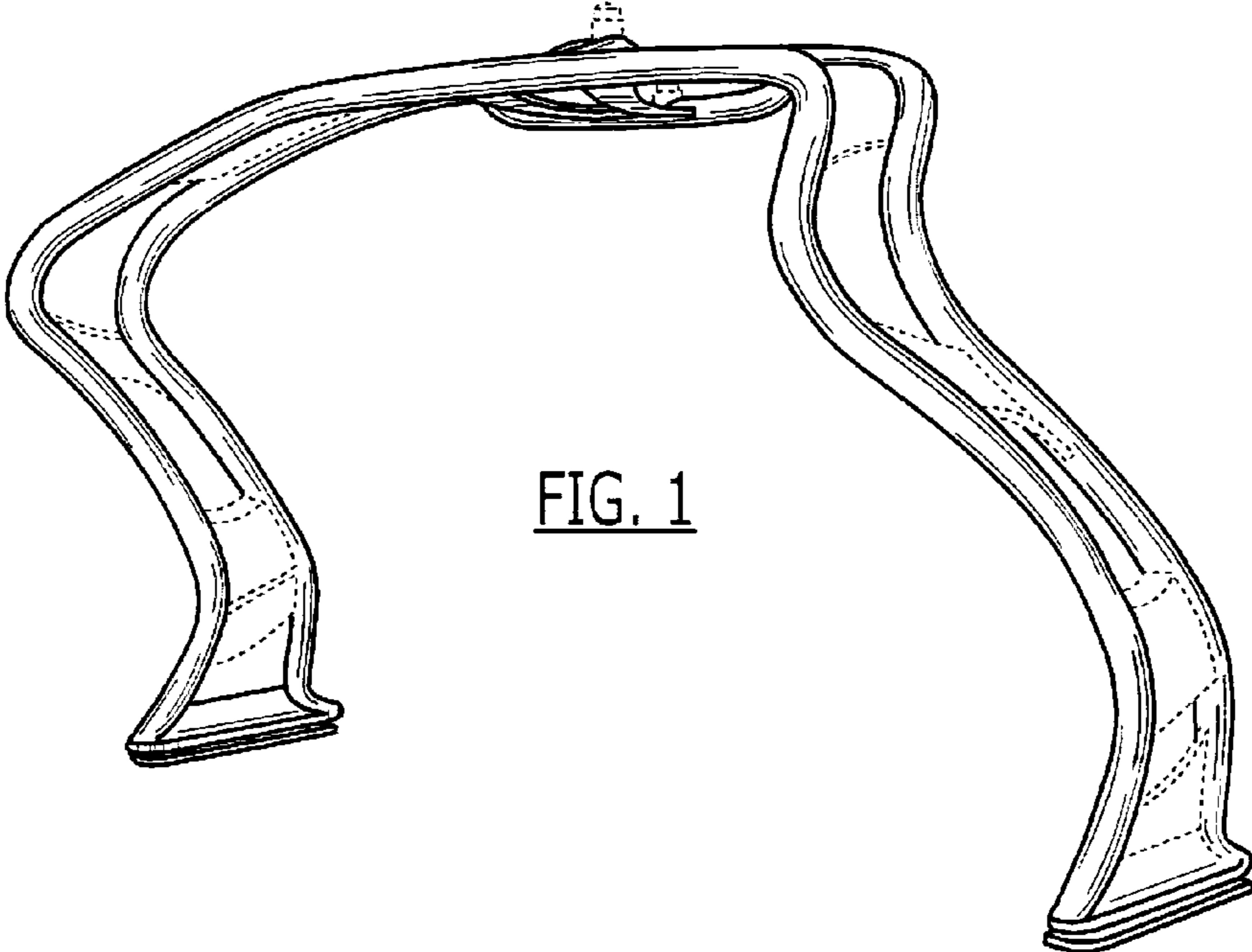


FIG. 1

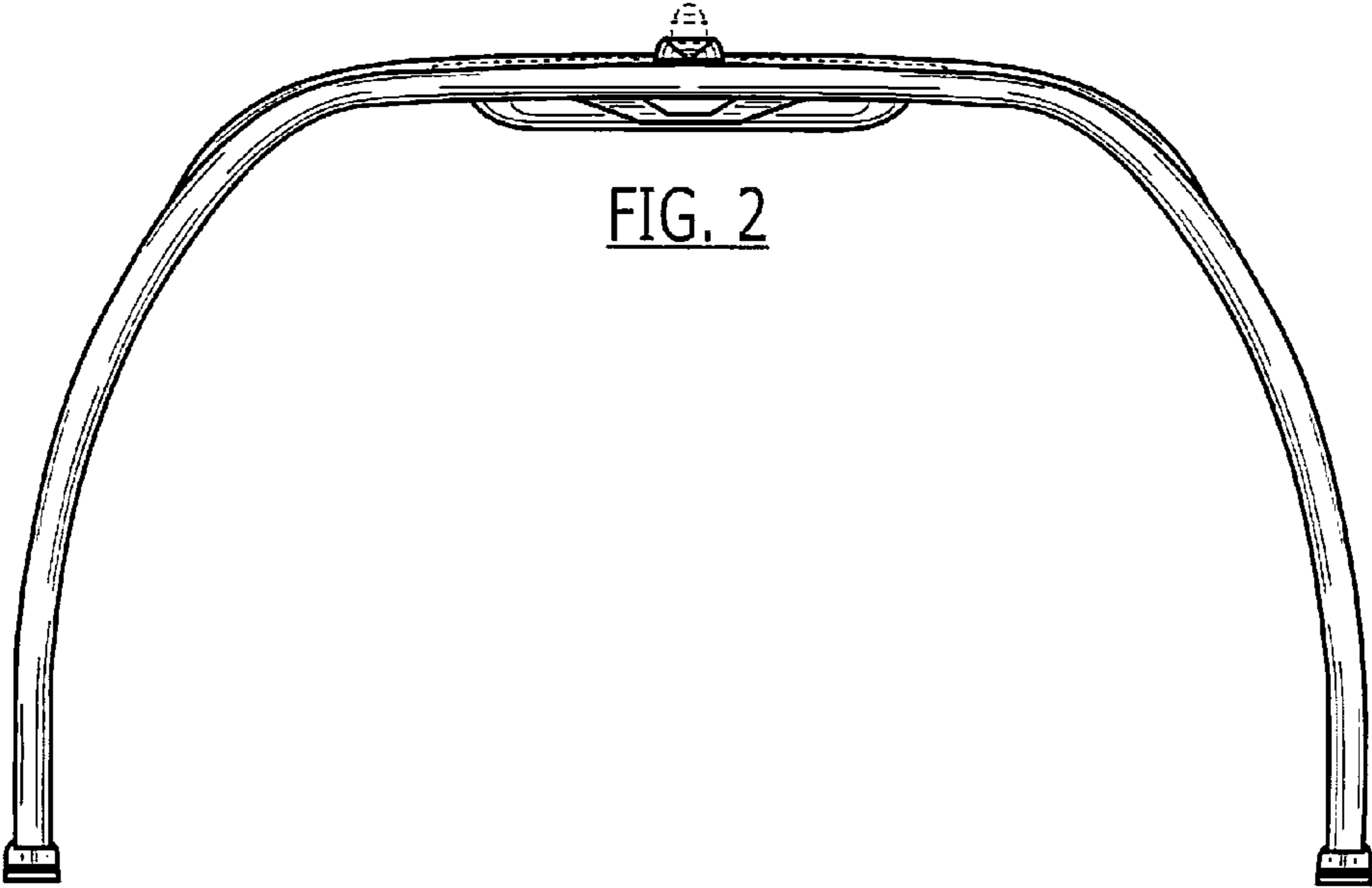


FIG. 2

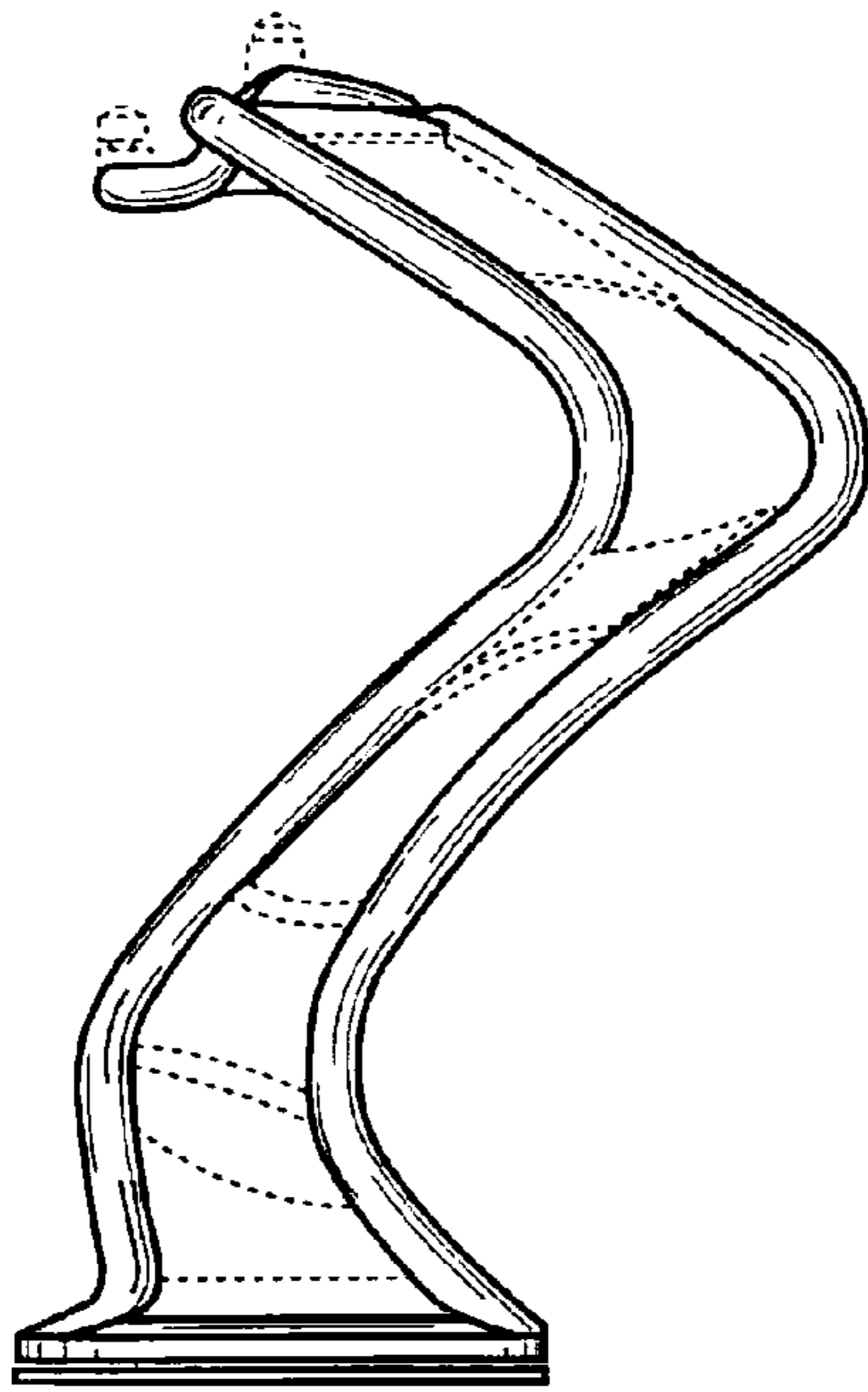


FIG. 3

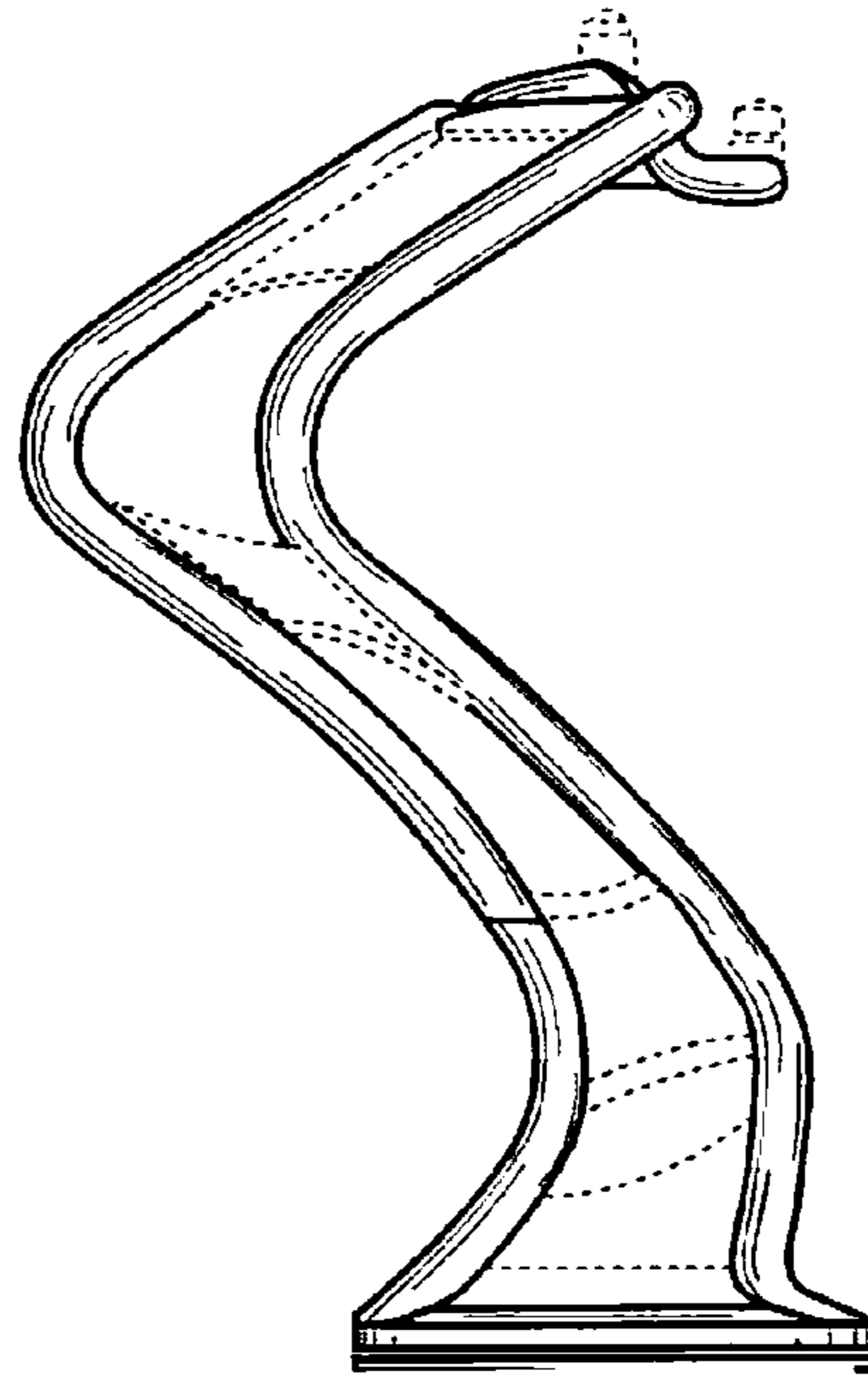


FIG. 4

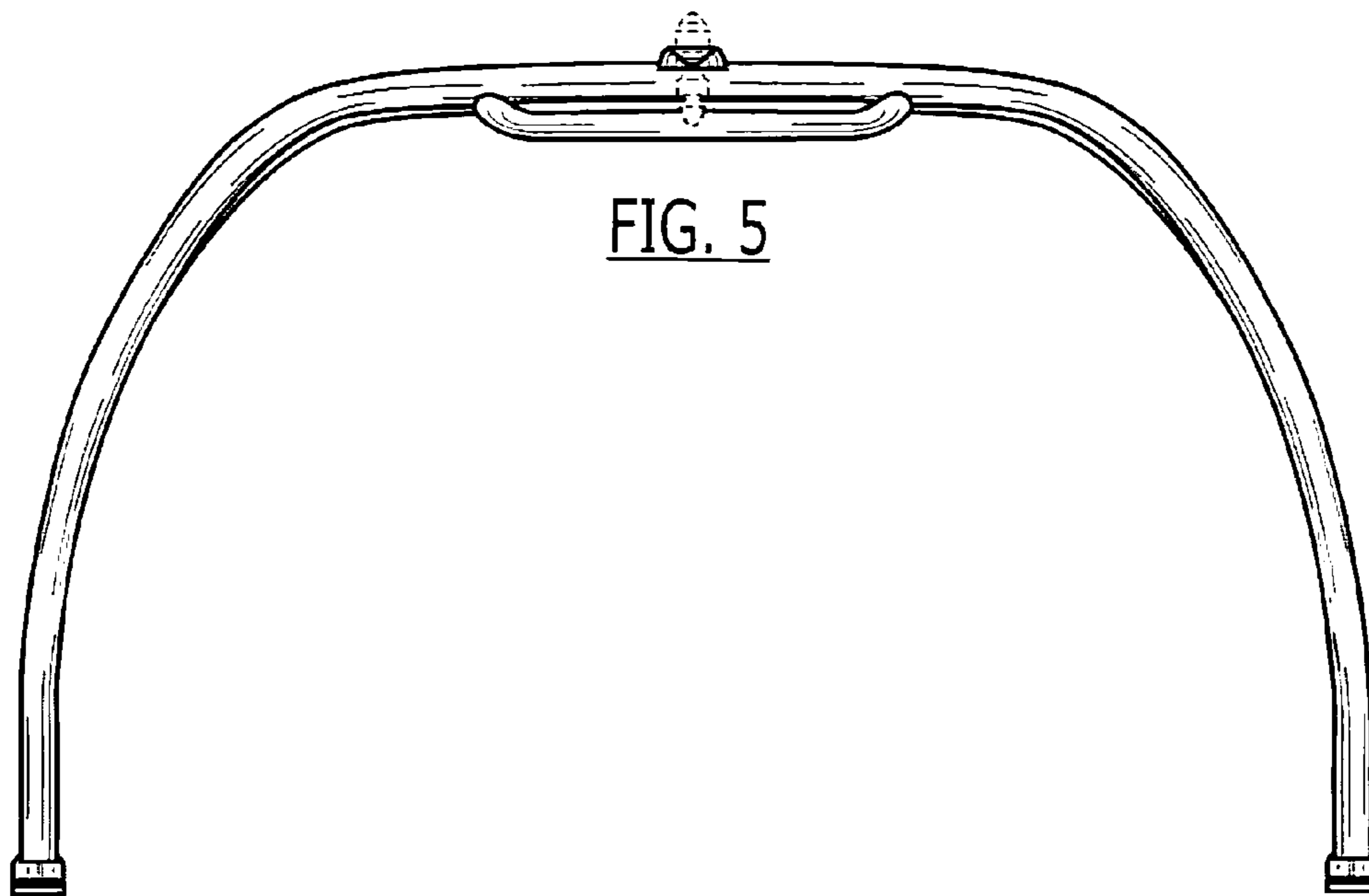


FIG. 5

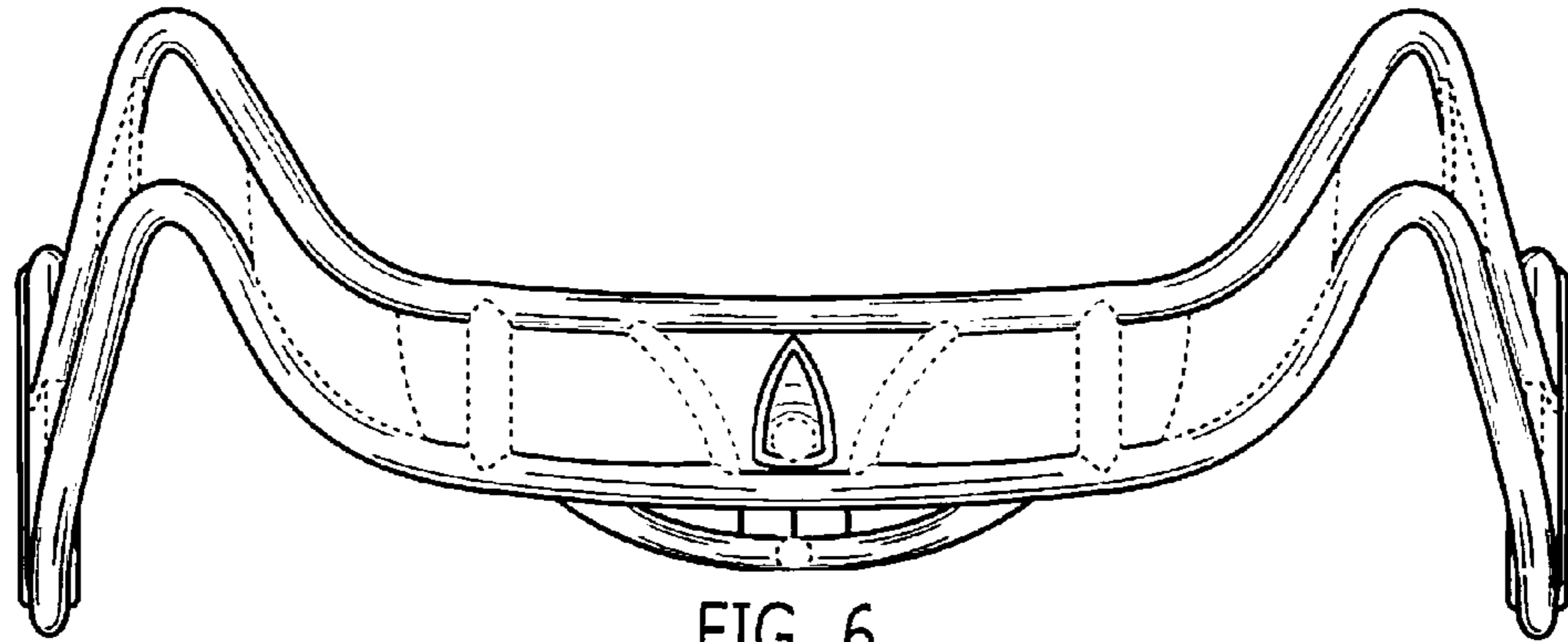


FIG. 6

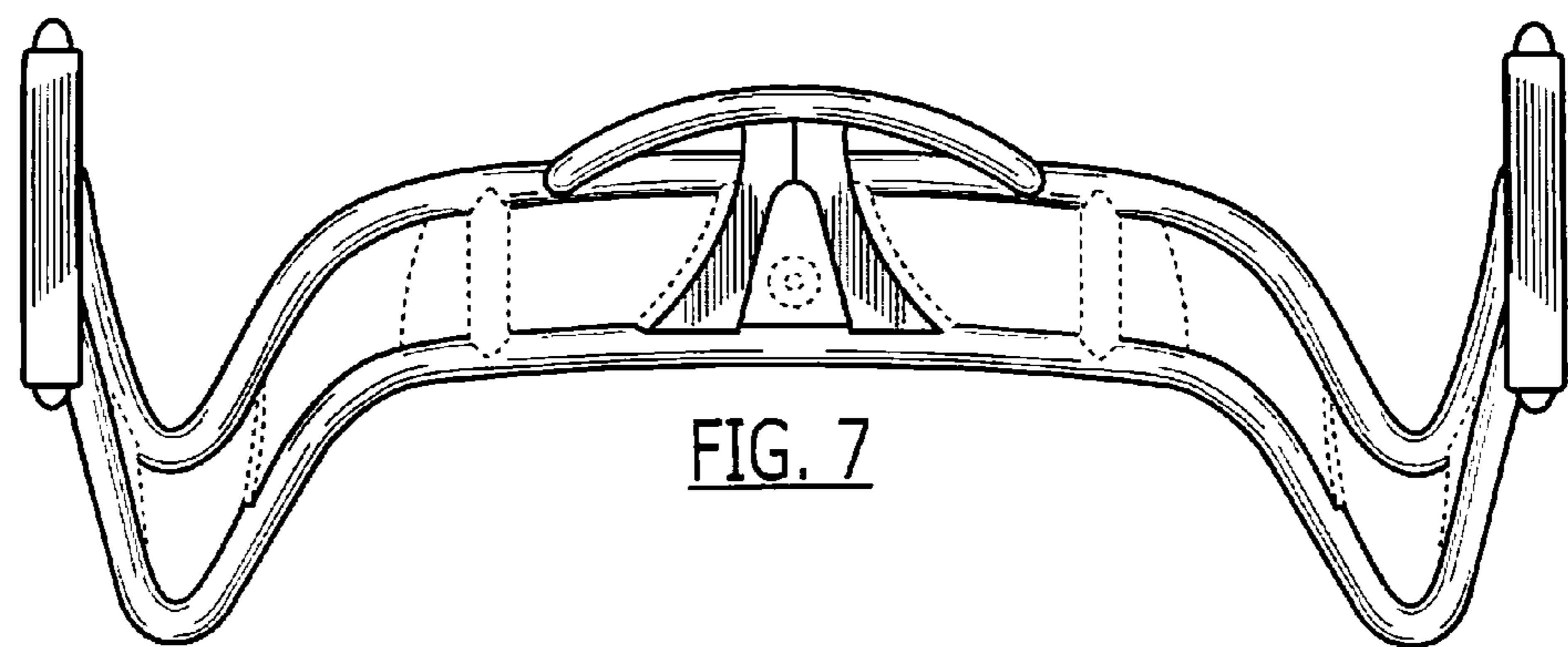


FIG. 7

UNITED STATES PATENT AND TRADEMARK OFFICE
CERTIFICATE OF CORRECTION

PATENT NO. : Des. 605,575 S
APPLICATION NO. : 29/323857
DATED : December 8, 2009
INVENTOR(S) : Robert Oswell, Richard Behnke and George Michael Cant

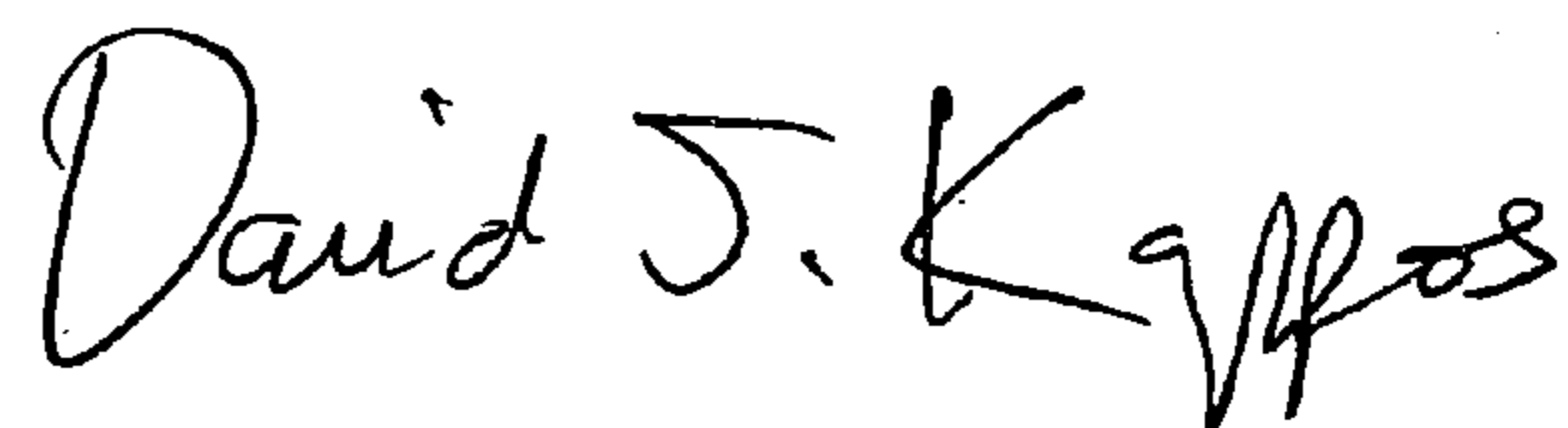
Page 1 of 1

It is certified that error appears in the above-identified patent and that said Letters Patent is hereby corrected as shown below:

On the Title Page Item (74) please delete "Syer" and insert --Dyer--

Signed and Sealed this

Sixteenth Day of February, 2010

A handwritten signature in black ink that reads "David J. Kappos". The signature is written in a cursive style with a large initial 'D' and a stylized 'K'.

David J. Kappos
Director of the United States Patent and Trademark Office