



US00D605573S

(12) **United States Design Patent**
Chan

(10) **Patent No.:** **US D605,573 S**

(45) **Date of Patent:** **** Dec. 8, 2009**

(54) **WHEEL FOR A MOTORCYCLE**

(75) Inventor: **Mike Chan**, Torrance, CA (US)

(73) Assignee: **Honda Motor Co., Ltd.**, Tokyo (JP)

(**) Term: **14 Years**

(21) Appl. No.: **29/332,626**

(22) Filed: **Feb. 20, 2009**

(30) **Foreign Application Priority Data**

Aug. 21, 2008 (JP) 2008-021392

(51) **LOC (9) Cl.** **12-16**

(52) **U.S. Cl.** **D12/209**

(58) **Field of Classification Search** D12/204-213;
301/37.101, 64.101, 65, 64.201

See application file for complete search history.

(56) **References Cited**

U.S. PATENT DOCUMENTS

D371,100 S *	6/1996	Hatter	D12/209
D390,180 S *	2/1998	Dehner	D12/209
D451,065 S *	11/2001	Braun	D12/211
D472,509 S *	4/2003	Laengerer	D12/209
D490,355 S *	5/2004	Francis	D12/209

D507,220 S *	7/2005	Lucaora	D12/209
D516,485 S *	3/2006	Lucaora	D12/209
D519,900 S *	5/2006	Francis	D12/209
D533,496 S *	12/2006	Bogani et al.	D12/209
D567,166 S *	4/2008	Bogani	D12/209
D584,208 S *	1/2009	Markefka	D12/209

* cited by examiner

Primary Examiner—Stacia Cadmus

(74) *Attorney, Agent, or Firm*—Birch, Stewart, Kolasch & Birch LLP

(57) **CLAIM**

What is claimed is; the ornamental design for, a wheel for a motorcycle, as shown and described.

DESCRIPTION

FIG. 1 is a perspective view of a wheel for a motorcycle, showing our new design;

FIG. 2 is a front elevation view thereof;

FIG. 3 is a top plan view thereof; and,

FIG. 4 is a right side elevation view thereof.

The broken lines are for illustrative purposes only and form no part of the claimed design.

1 Claim, 4 Drawing Sheets

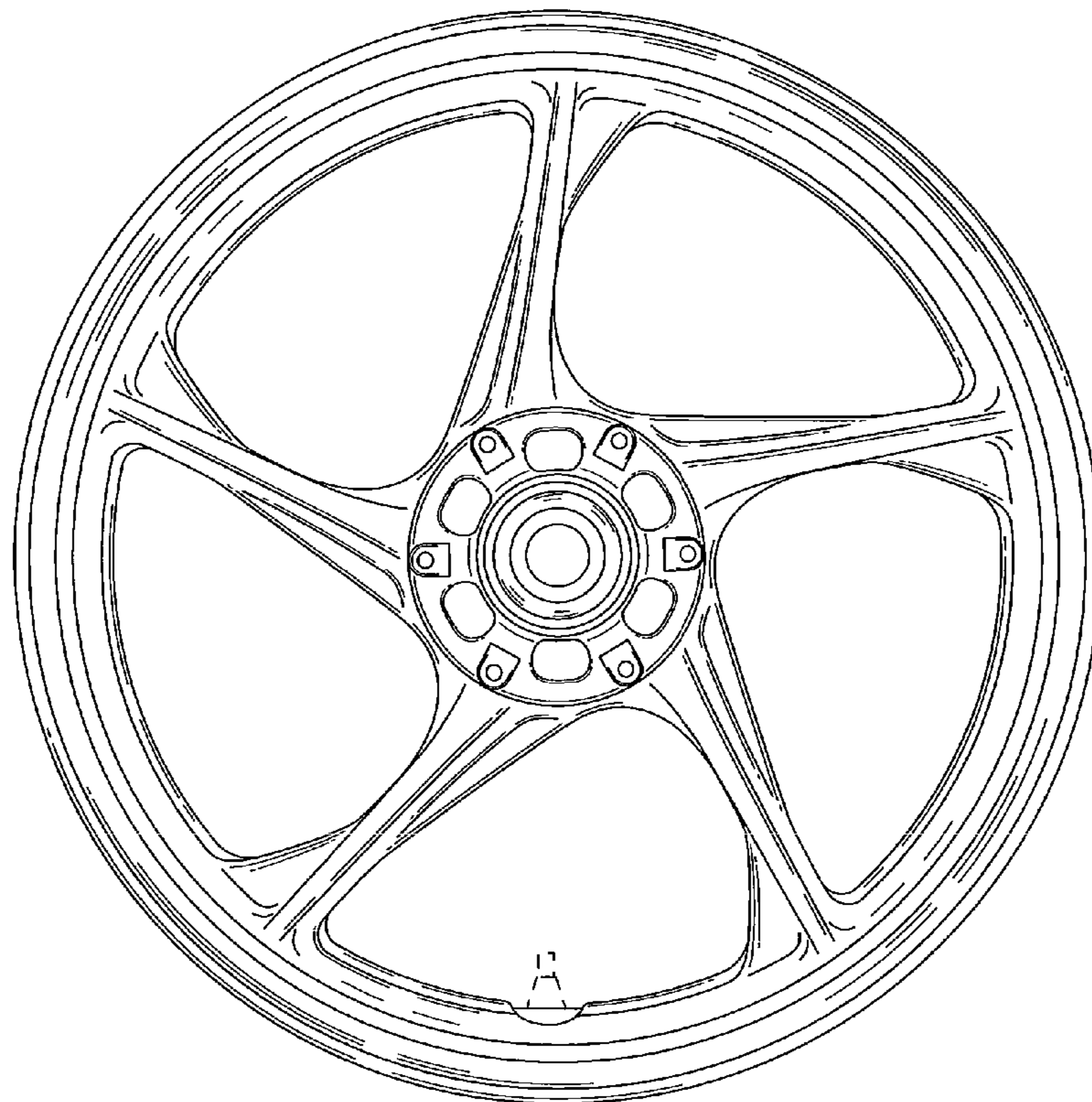


Fig. 1

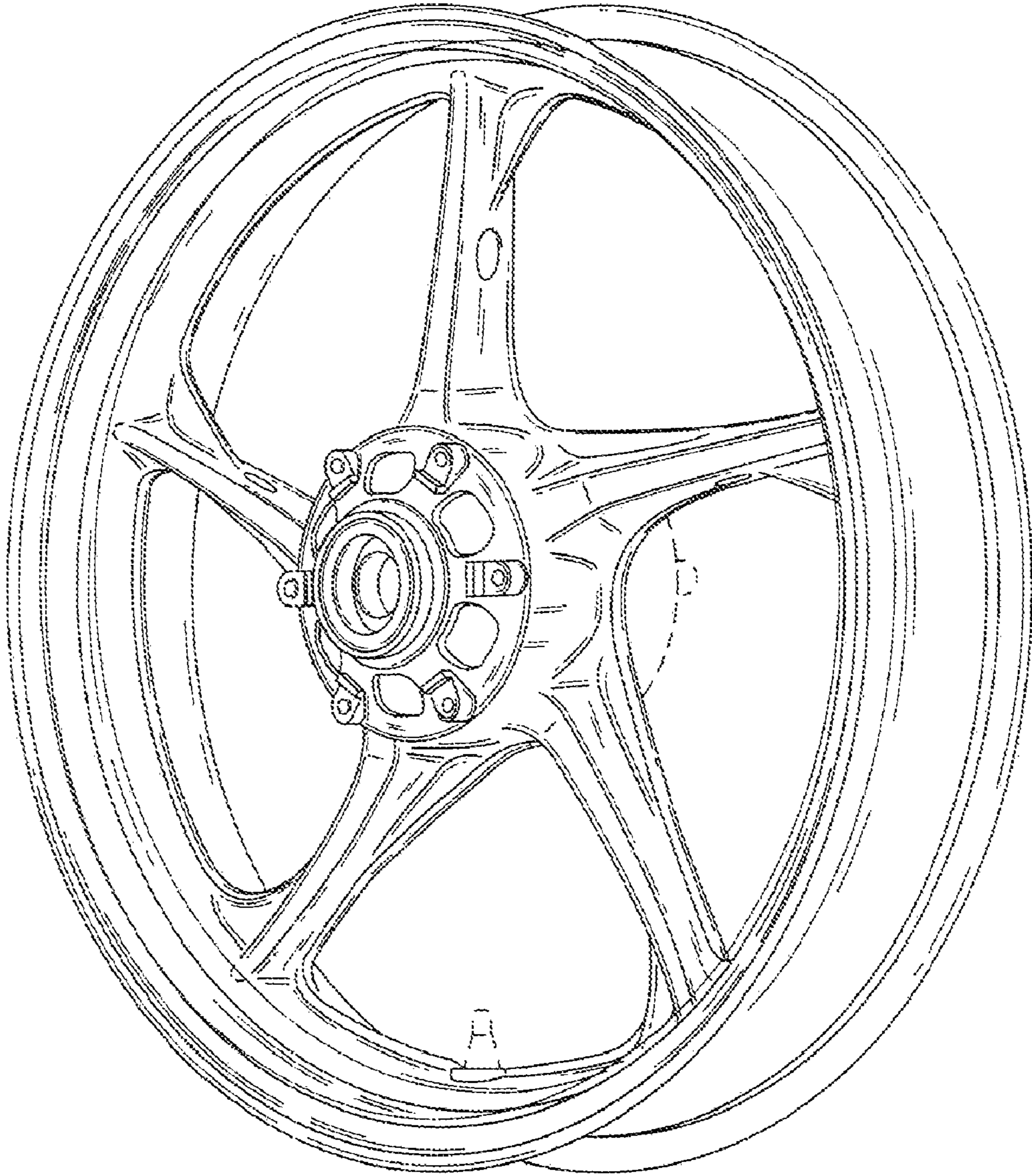


Fig. 2

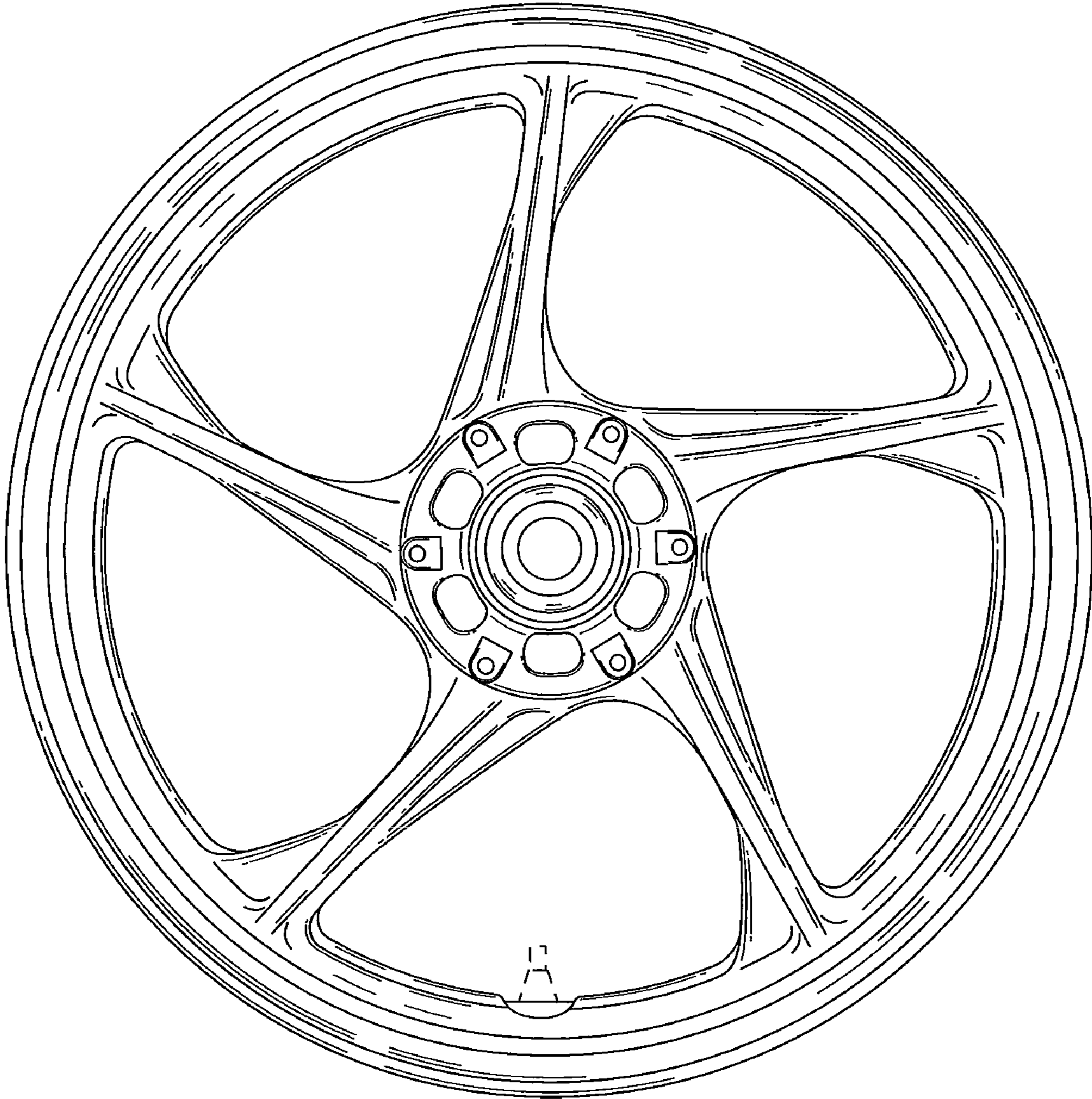


Fig. 3

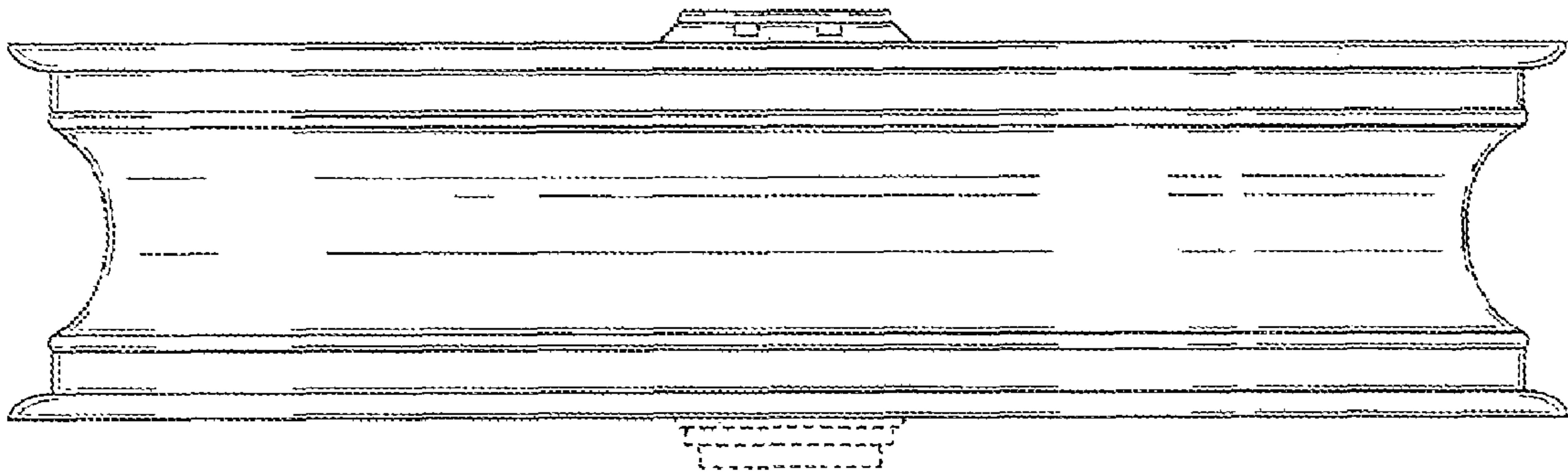


Fig. 4

